



US00D542127S

(12) **United States Design Patent**
Carr et al.

(10) **Patent No.: US D542,127 S**

(45) **Date of Patent: ** May 8, 2007**

(54) **CORNER BOX PROTECTOR AND ALIGNER**

5,743,672 A * 4/1998 Cline 403/403
D400,081 S * 10/1998 Ibaragi D8/354
D523,740 S * 6/2006 Harris D8/403

(76) Inventors: **Fred K Carr**, 23162 La Cadena Dr.,
Laguna Hills, CA (US) 92653;
Faramarz Khaladj, 23162 La Cadena
Dr., Laguna Hills, CA (US) 92653

(**) Term: **14 Years**

(21) Appl. No.: **29/248,265**

(22) Filed: **Aug. 7, 2006**

(51) **LOC (8) Cl.** **08-99**

(52) **U.S. Cl.** **D8/403**

(58) **Field of Classification Search** D8/382,
D8/403, 354, 395, 394, 301; 403/203, 403,
403/405.1, 292; 439/66, 75; D13/139.2; D23/395;
49/468; D9/456; 206/585-588
See application file for complete search history.

OTHER PUBLICATIONS

Uline Shipping Supply Specialists, http://www.uline.com/Browse_Listing_2152.asp?desc=Strap+Guards, Strap Guards.*

Vestil Manufacturing Company, http://www.vestilmfg.com/products/packaging/edge_protectors.htm, Edge Protectors, product E.*

* cited by examiner

Primary Examiner—Alan P. Douglas

Assistant Examiner—Barbara Fox

(57) **CLAIM**

The ornamental design for corner box protector and aligner, as shown and described.

(56) **References Cited**

U.S. PATENT DOCUMENTS

2,050,791 A * 8/1936 Graham 206/521
2,670,122 A * 2/1954 Davidson et al. 206/586
2,878,982 A * 3/1959 Garipey 206/586
3,184,135 A * 5/1965 Johnson 206/453
4,120,443 A * 10/1978 Gardner et al. 206/586
D375,038 S * 10/1996 Trevorrow D8/354
D375,448 S * 11/1996 Small et al. D8/346
D384,585 S * 10/1997 Swarr D9/456

DESCRIPTION

FIG. 1 is a front isometric view of the corner box protector and aligner of our new design.

FIG. 2 is a left isometric view thereof.

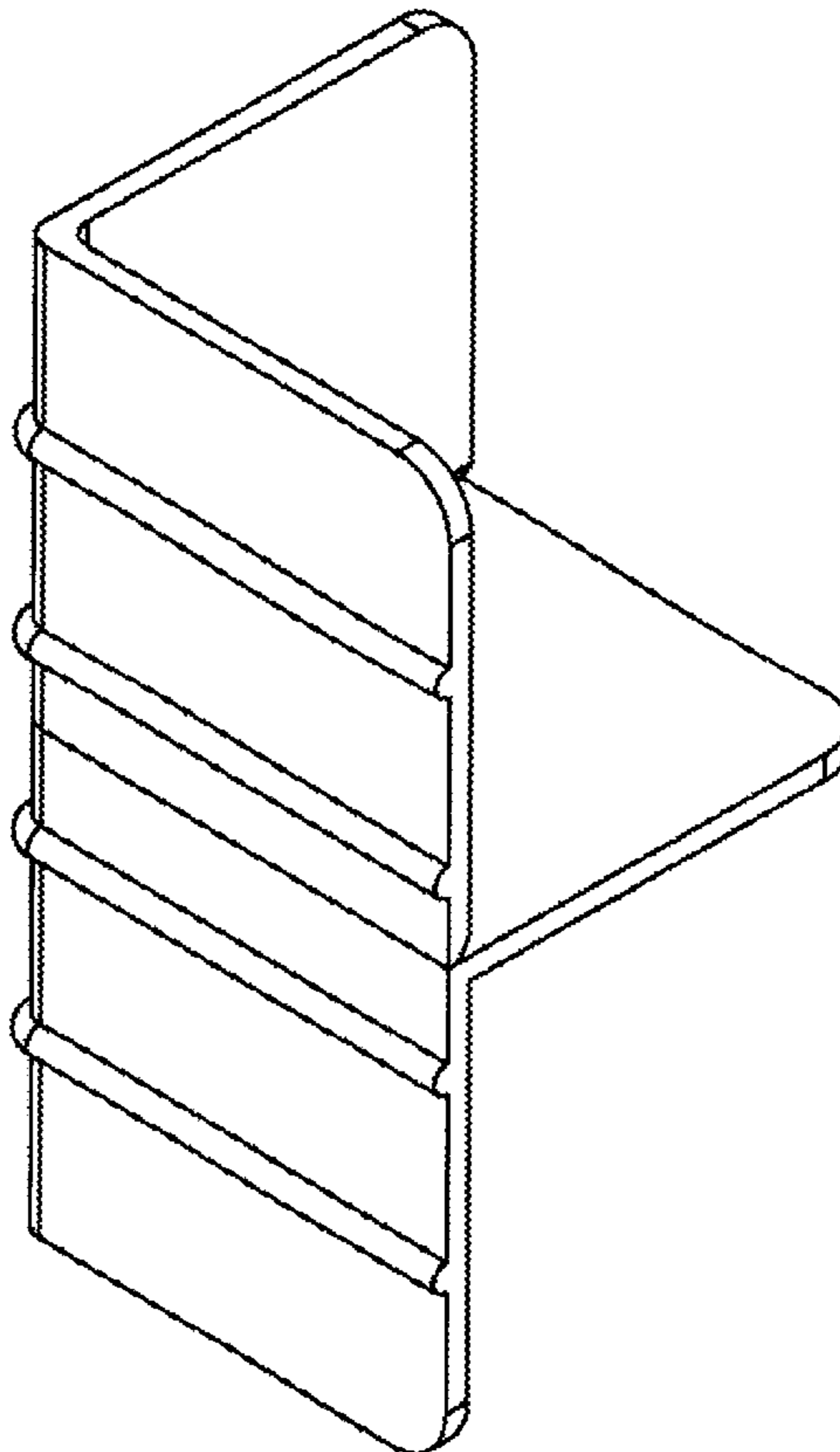
FIG. 3 is a right isometric view thereof.

FIG. 4 is a right side view thereof.

FIG. 5 is a left side view thereof; and,

FIG. 6 is a top view thereof.

1 Claim, 6 Drawing Sheets



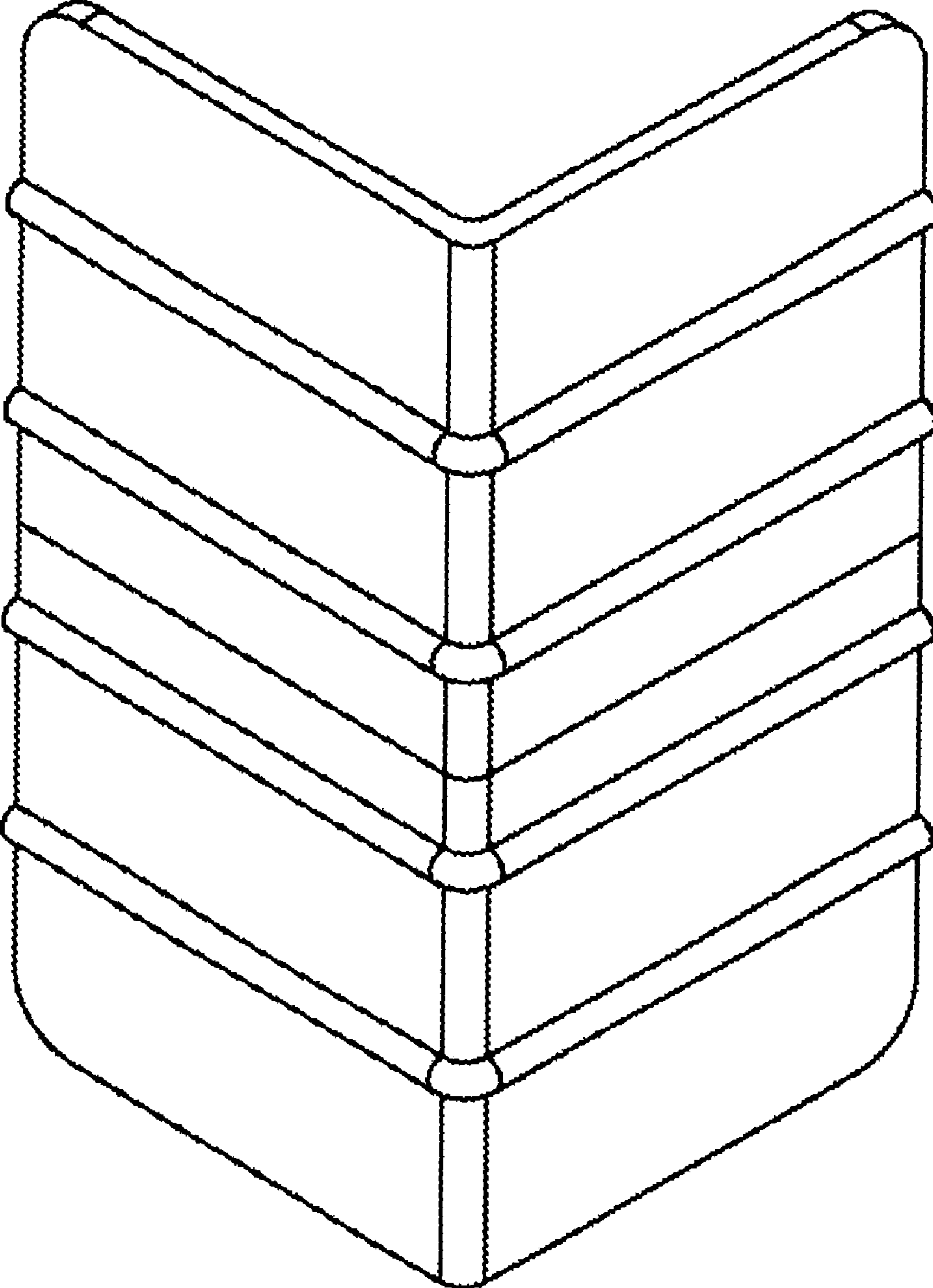


Fig. 1

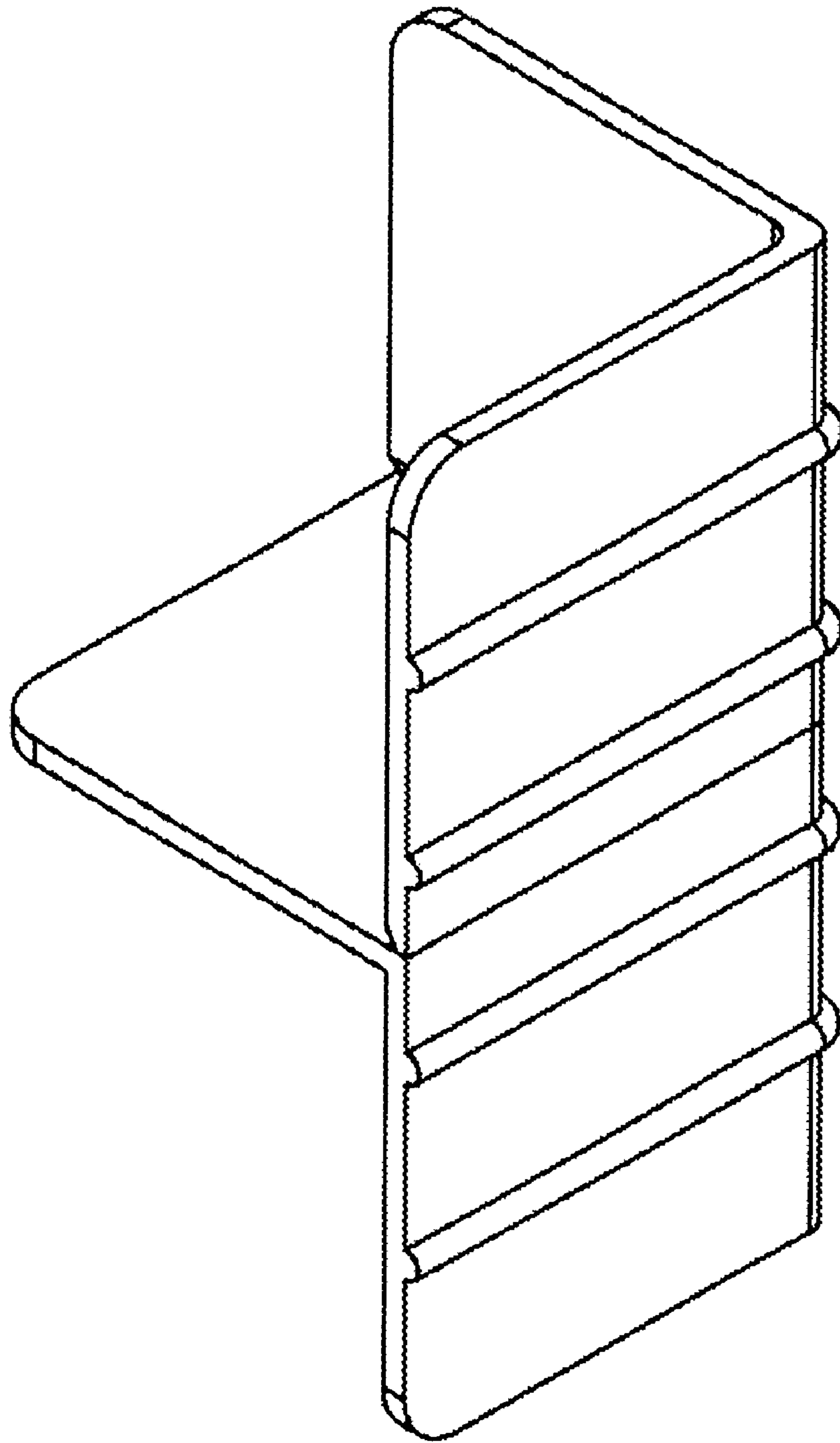


Fig. 2

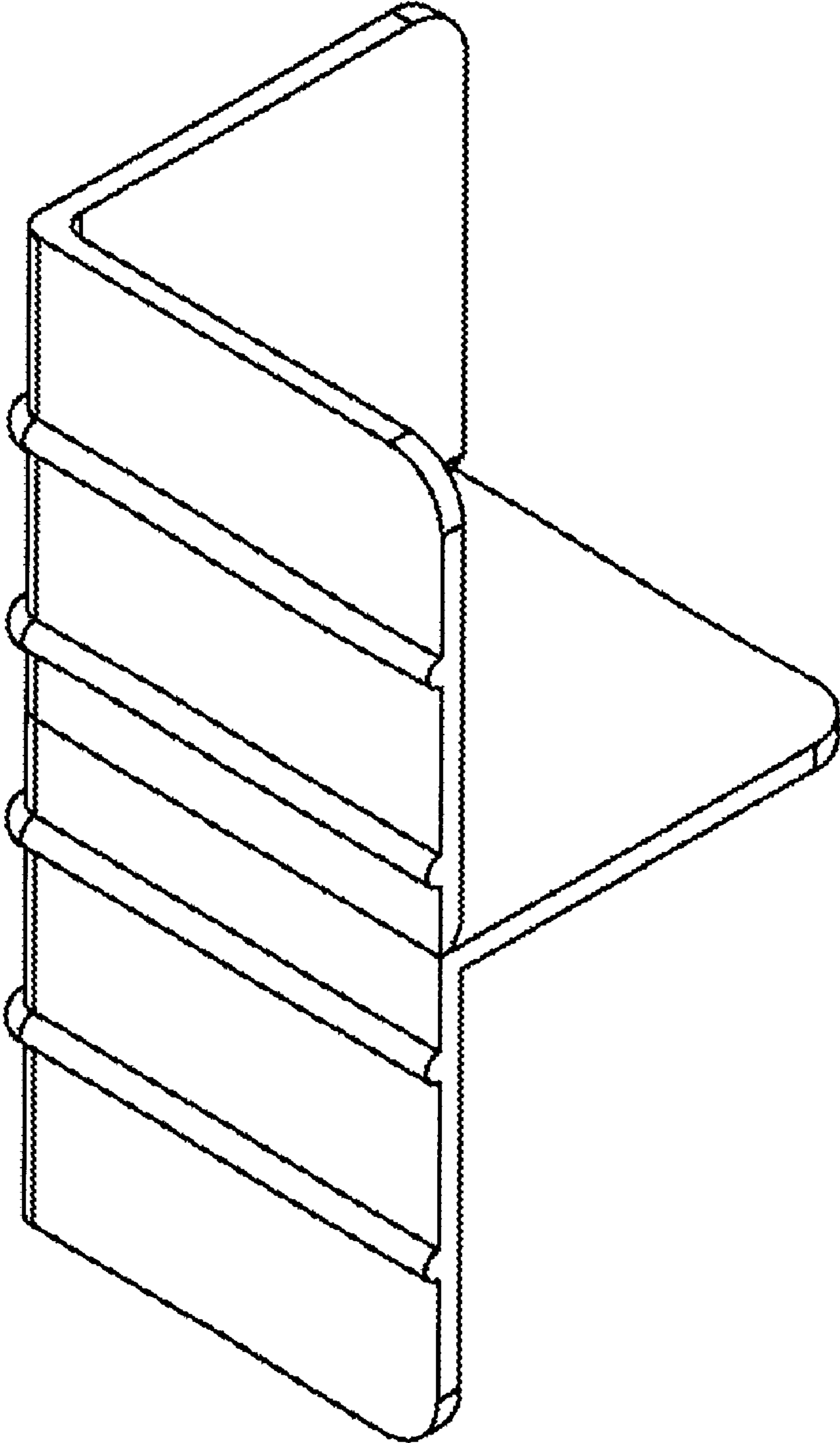


Fig. 3

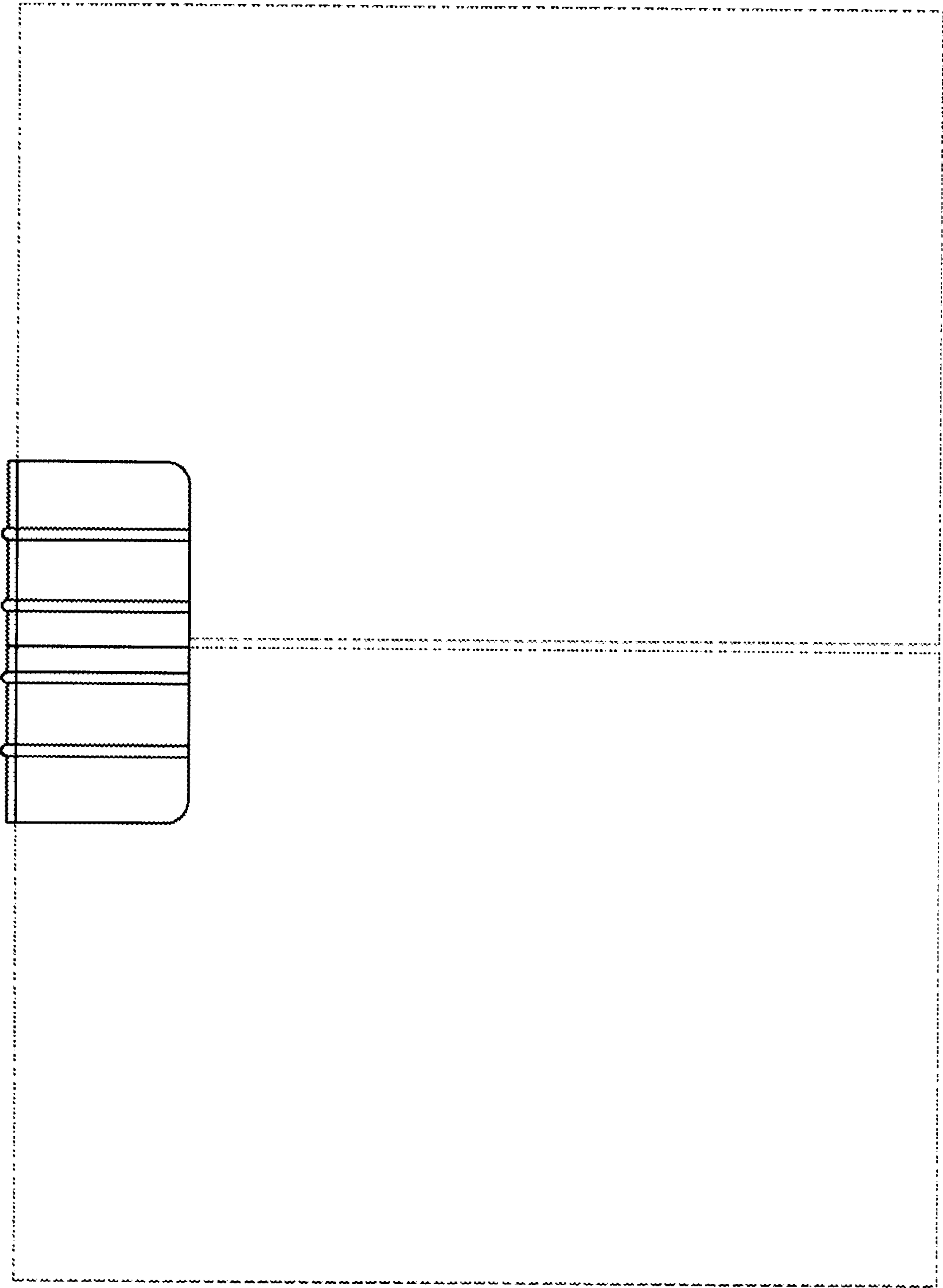


Fig. 4

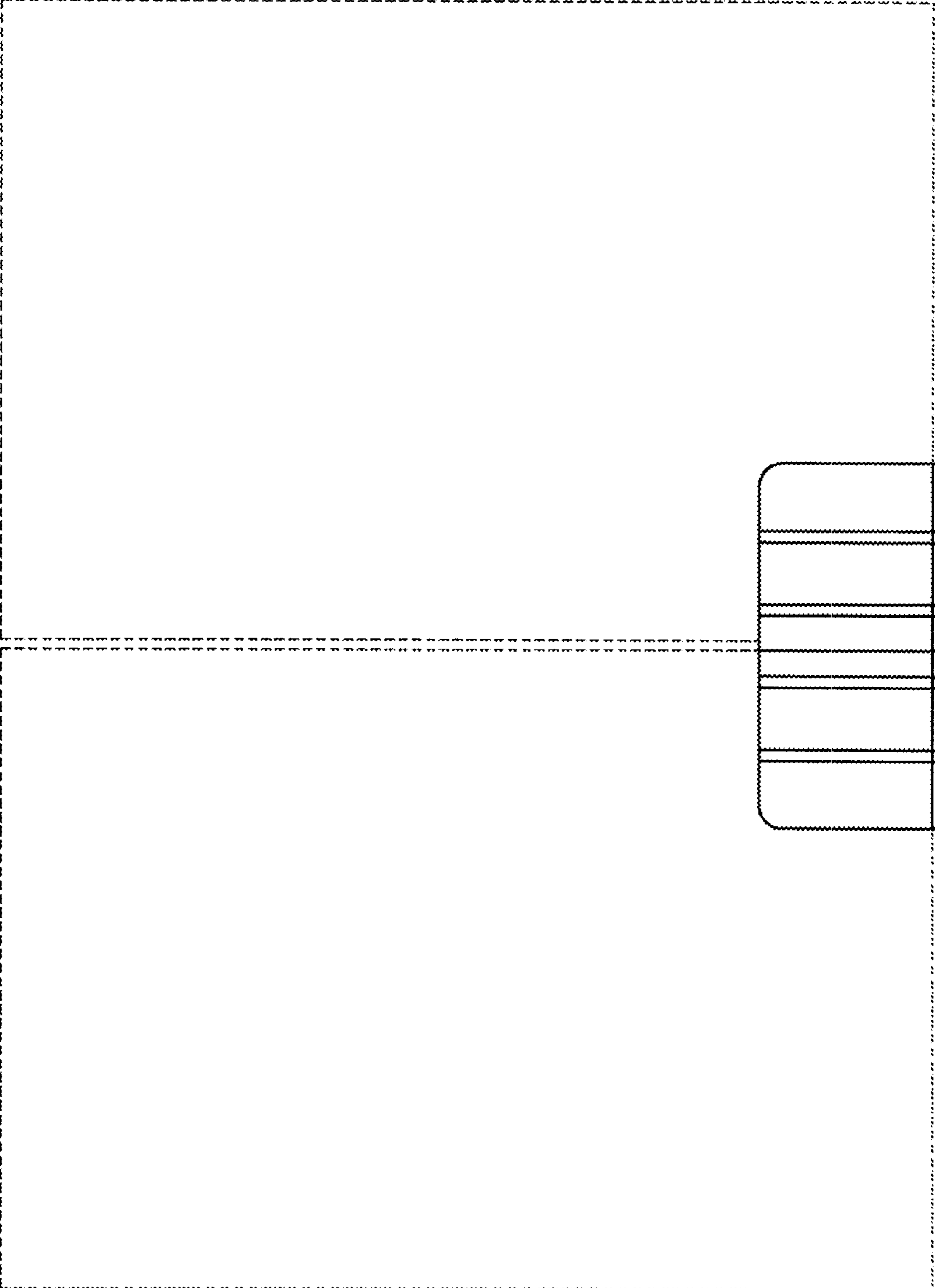


Fig. 5

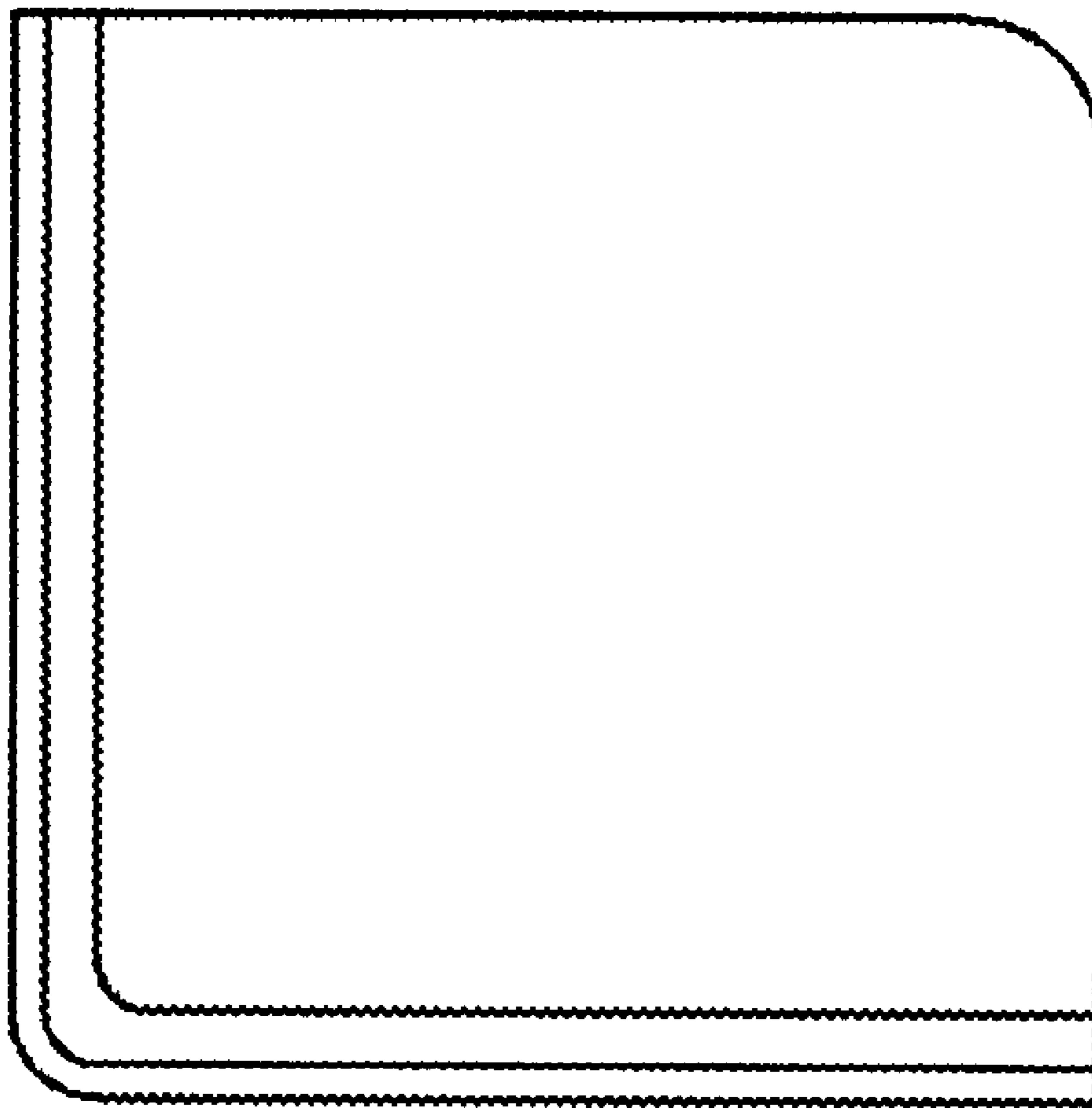


Fig. 6