



US00D542124S

(12) **United States Design Patent**
Sellers

(10) **Patent No.:** **US D542,124 S**

(45) **Date of Patent:** **** May 8, 2007**

(54) **WHEELED, BARBED WIRE SAFETY DISPENSER**

D455,883 S * 4/2002 Clivio D34/24

* cited by examiner

(76) Inventor: **James Morgan Sellers**, 10743 County Rd. 191, Eutaw, AL (US) 35462-9536

Primary Examiner—Holly H. Baynham

(74) *Attorney, Agent, or Firm*—Kenneth M. Bush; Bush IP Law Group, LLC

(**) Term: **14 Years**

(57) **CLAIM**

(21) Appl. No.: **29/201,357**

The ornamental design for a wheeled, barbed wire safety dispenser, as shown and described.

(22) Filed: **Aug. 18, 2004**

DESCRIPTION

(51) **LOC (8) Cl.** **08-05**

(52) **U.S. Cl.** **D8/359**

(58) **Field of Classification Search** D8/359;
D34/24; 414/24.6; 242/419.9, 557; 280/47.12,
280/47.24

See application file for complete search history.

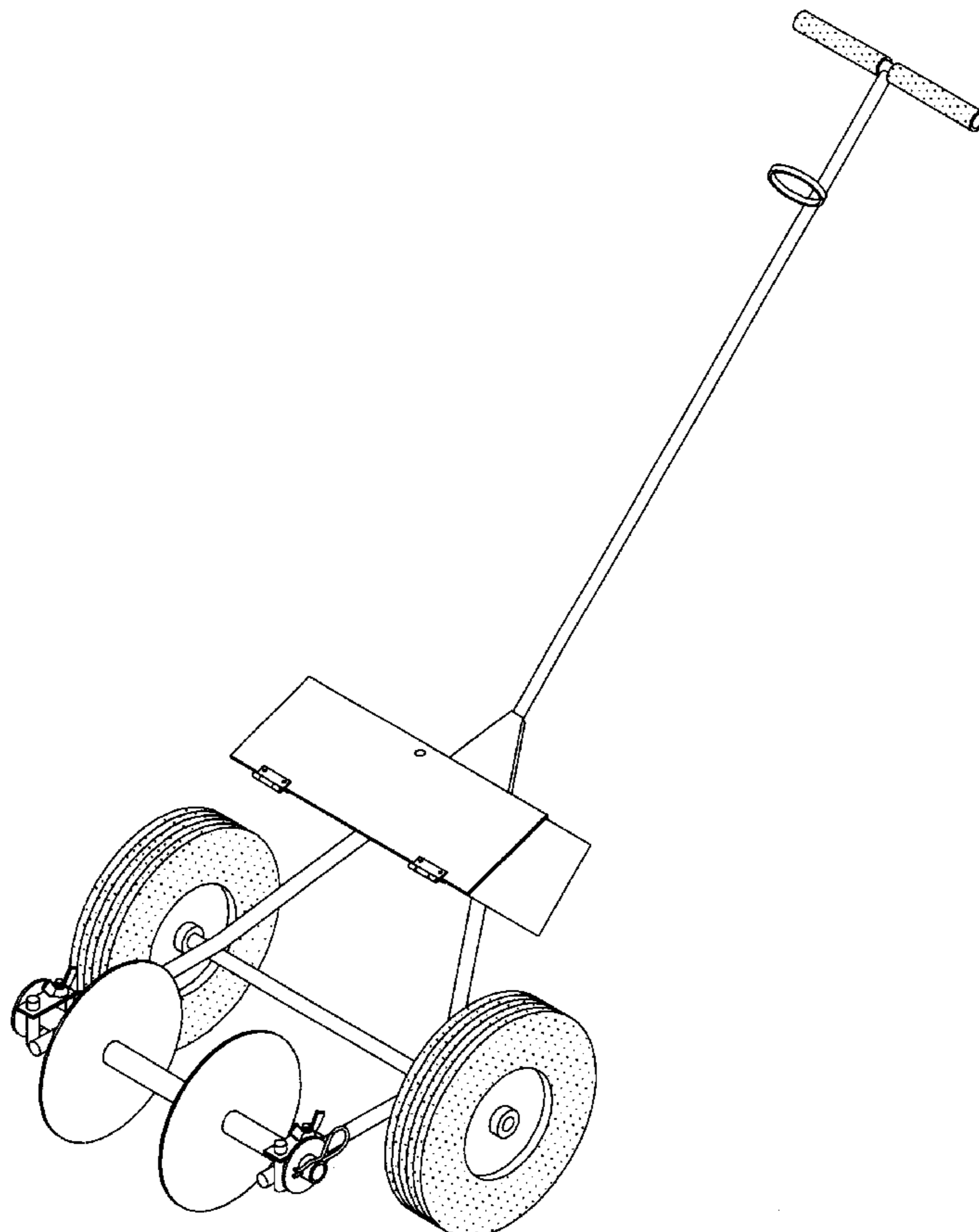
A wheeled apparatus for safely dispensing barbed wire. FIG. 1 is a front perspective view of a wheeled, barbed wire safety dispenser; FIG. 2 is a front elevational view of the wheeled, barbed wire safety dispenser; FIG. 3 is a rear elevational view of the wheeled, barbed wire safety dispenser; FIG. 4 is a left side elevational view of the wheeled, barbed wire safety dispenser; FIG. 5 is a right side elevational view of the wheeled, barbed wire safety dispenser; FIG. 6 is a top plan view of the wheeled, barbed wire safety dispenser; and, FIG. 7 is a bottom view of the wheeled, barbed wire safety dispenser.

(56) **References Cited**

U.S. PATENT DOCUMENTS

| | | | | | | |
|-----------|---|---|---------|----------------|-------|----------|
| D152,217 | S | * | 12/1948 | Rehm | | D34/24 |
| 3,860,193 | A | * | 1/1975 | Green | | 242/557 |
| 4,095,706 | A | * | 6/1978 | Schwieh et al. | | 414/24.6 |
| D326,807 | S | * | 6/1992 | Hargrove | | D8/358 |
| D328,378 | S | * | 7/1992 | Hargrove | | D34/24 |
| 5,158,243 | A | * | 10/1992 | Sigle et al. | | 242/557 |
| D345,095 | S | * | 3/1994 | Hanway | | D8/358 |
| D360,726 | S | * | 7/1995 | Carter | | D34/24 |
| 5,667,163 | A | * | 9/1997 | Sordahl | | 242/557 |

1 Claim, 7 Drawing Sheets



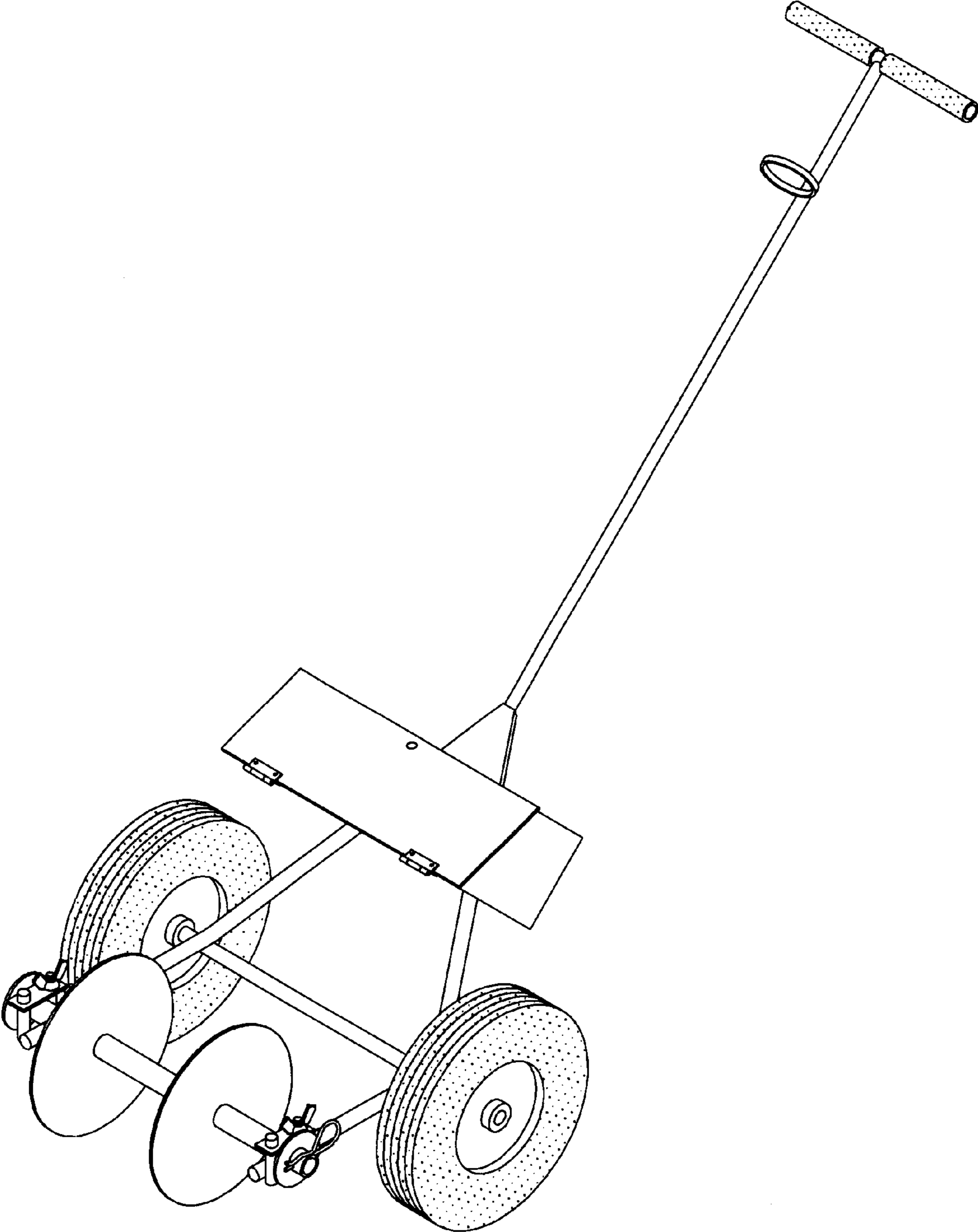


FIG. 1

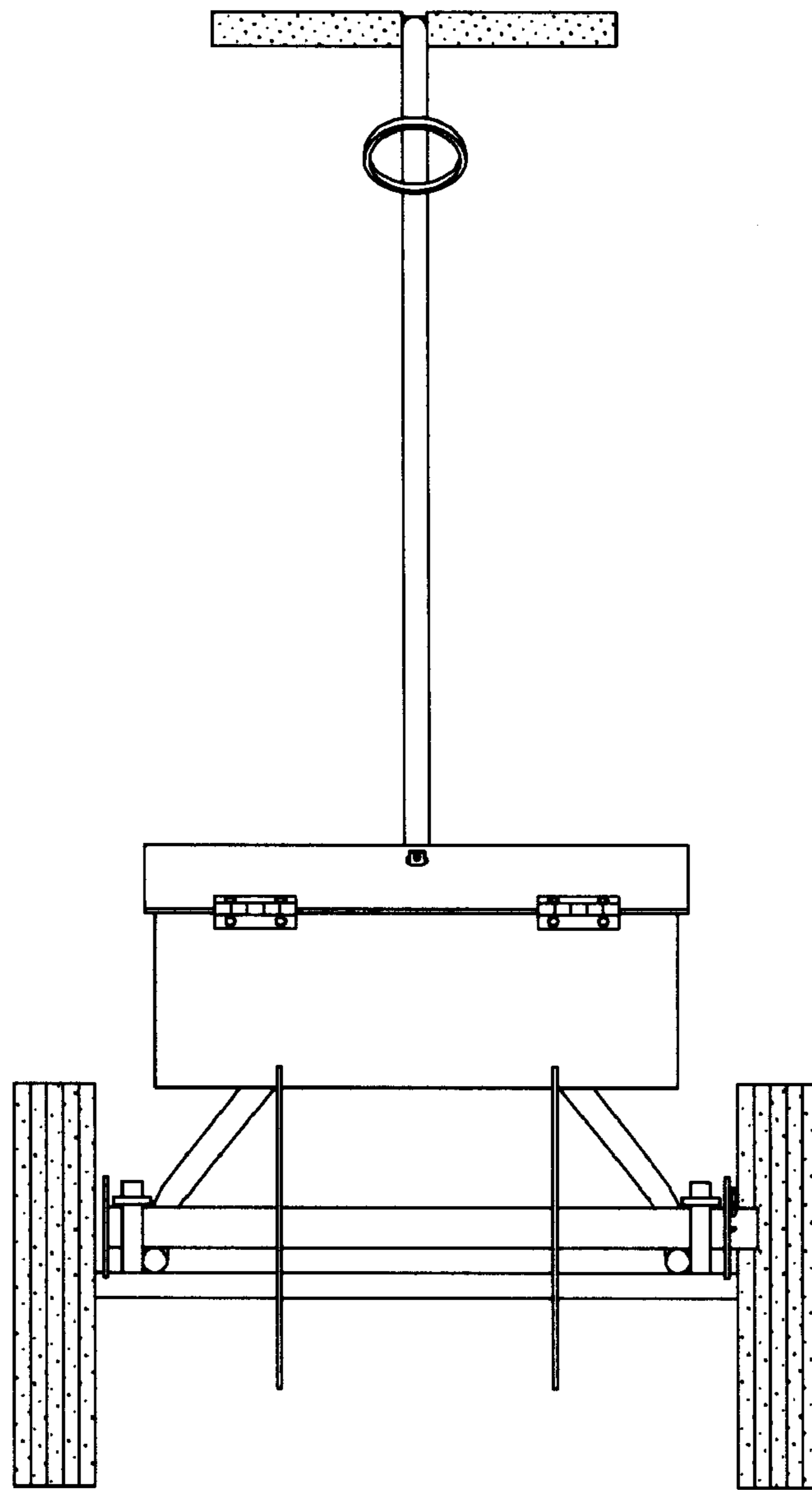


FIG. 2

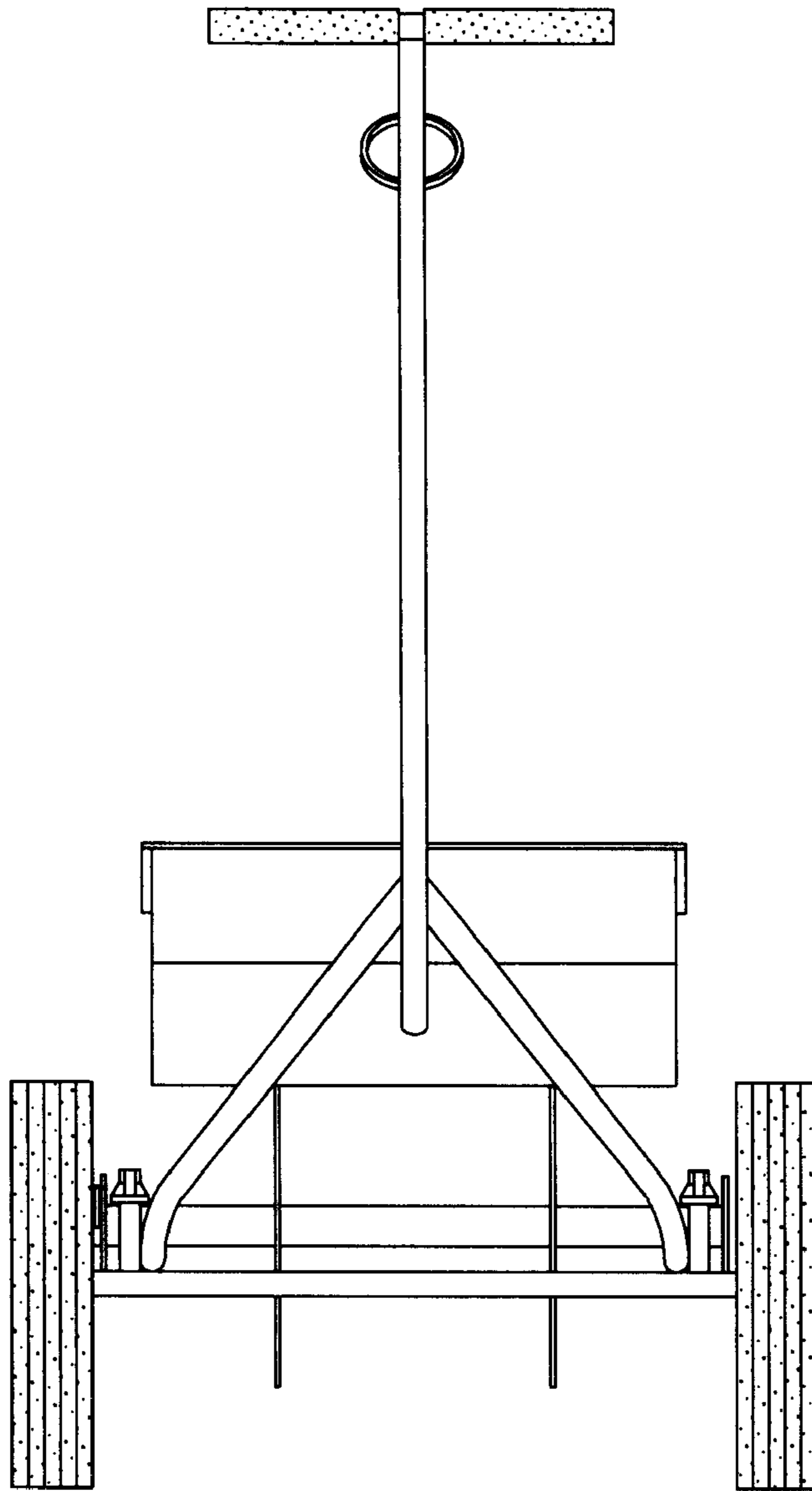


FIG. 3

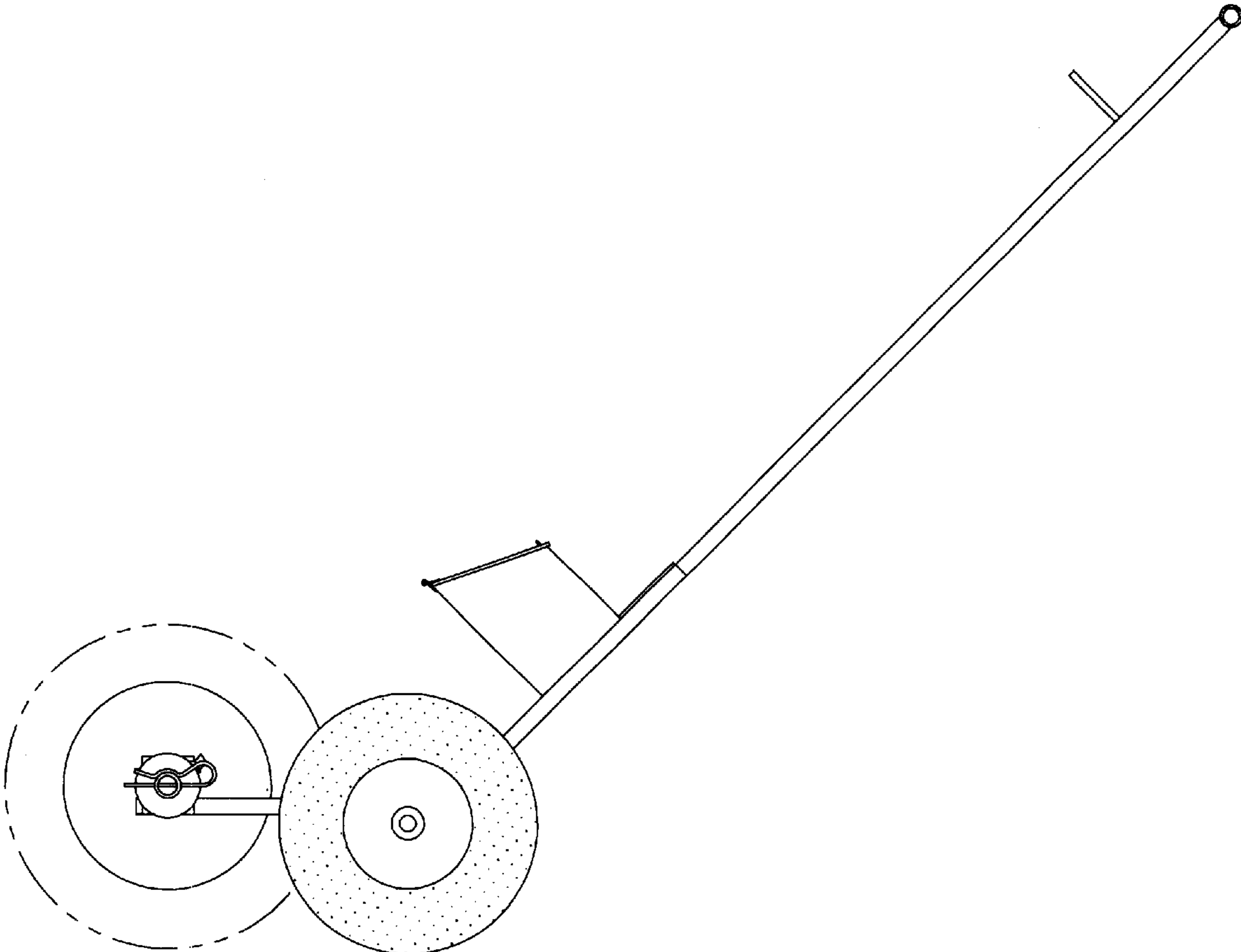


FIG. 4

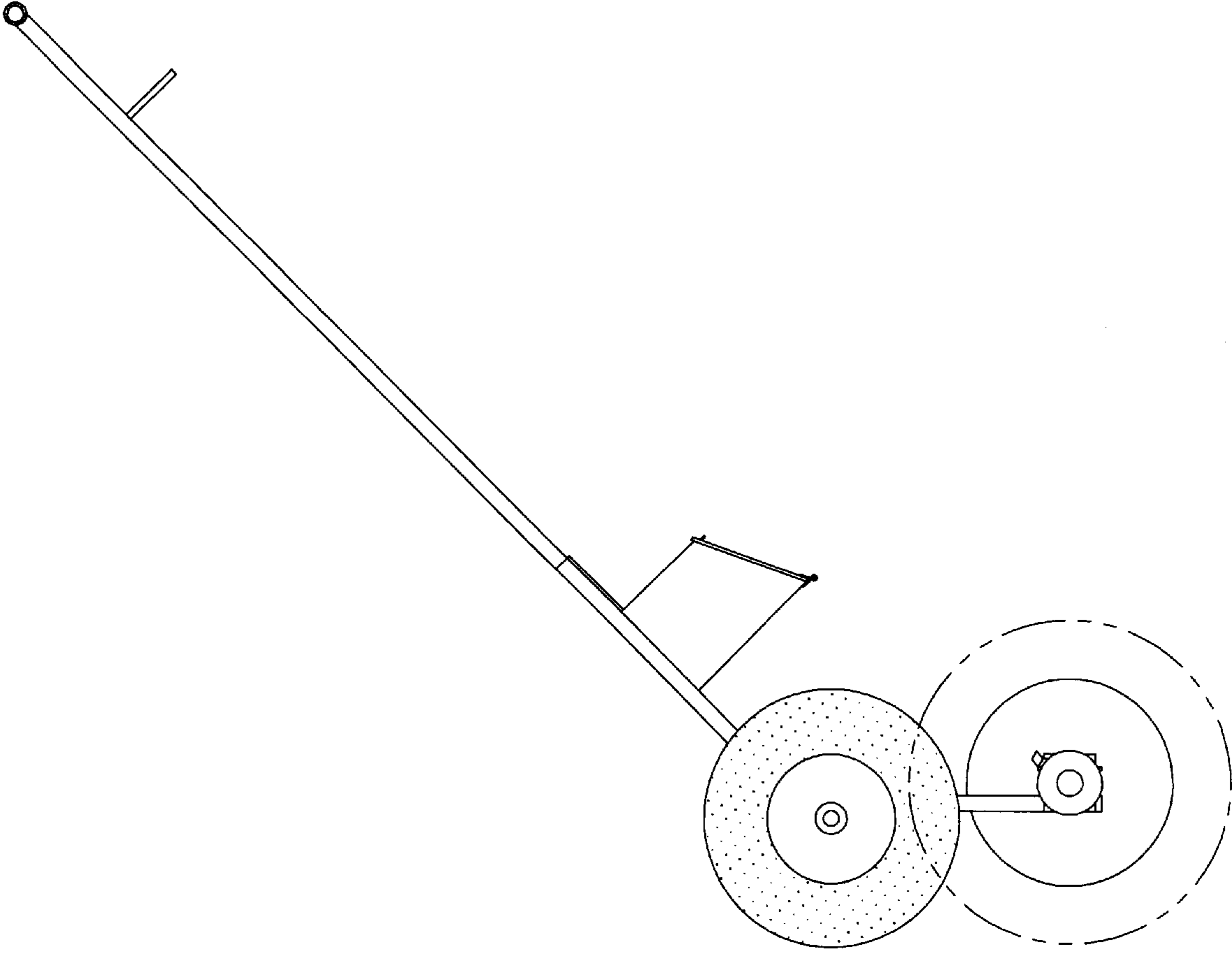


FIG. 5

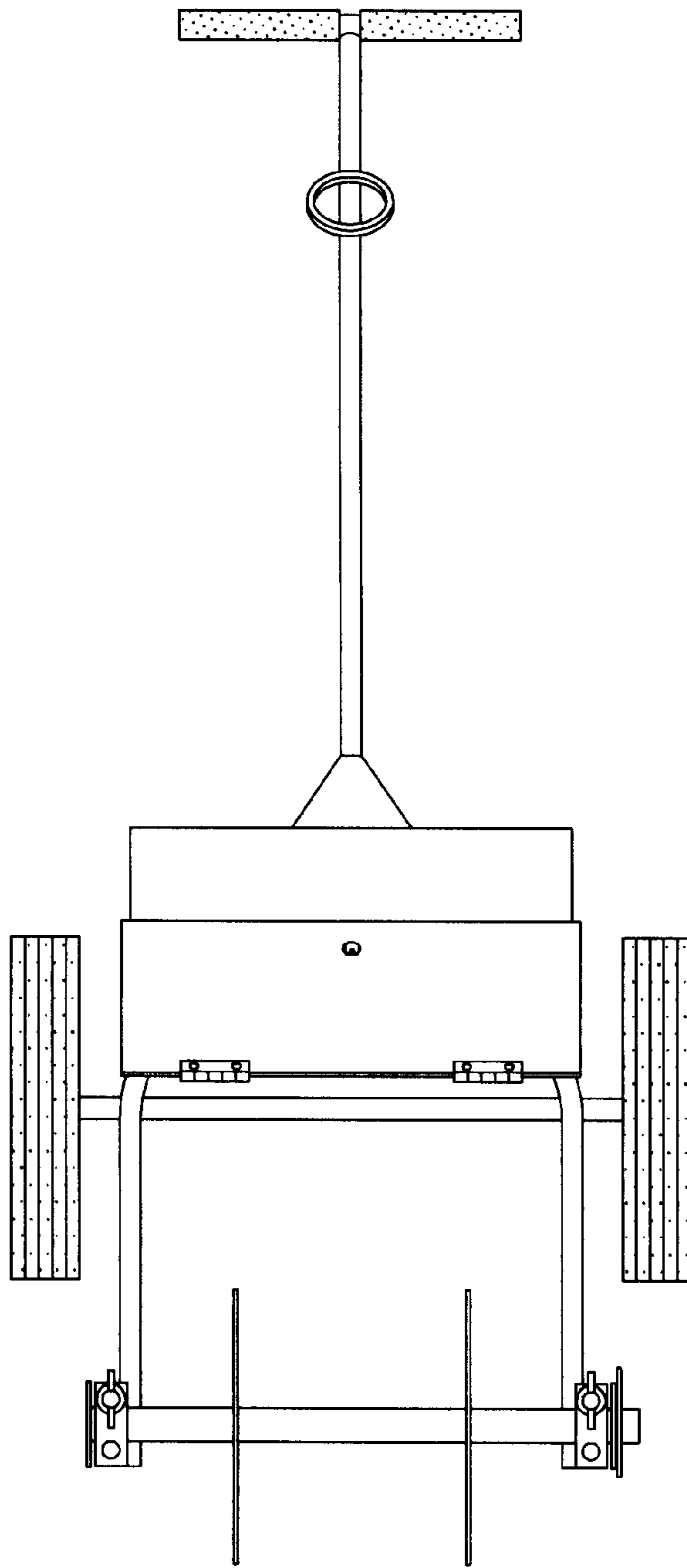


FIG. 6

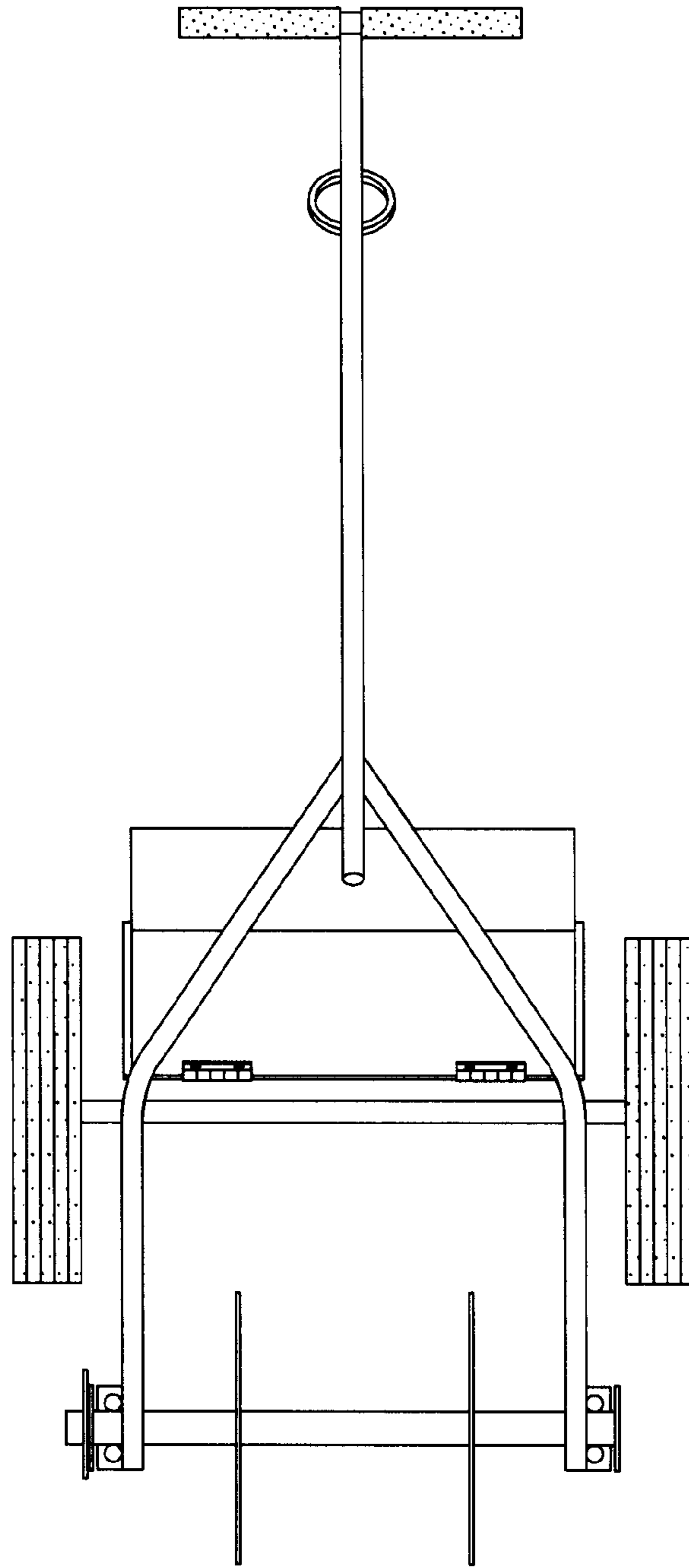


FIG. 7