



US00D542123S

(12) **United States Design Patent**
Symons

(10) **Patent No.:** **US D542,123 S**

(45) **Date of Patent:** **** May 8, 2007**

(54) **CABLE MANAGEMENT DEVICE**

(75) Inventor: **Dominic Symons**, Pasadena, CA (US)

(73) Assignee: **Blue Lounge Design, LLC**, Pasadena, CA (US)

(**) Term: **14 Years**

(21) Appl. No.: **29/245,412**

(22) Filed: **Dec. 22, 2005**

Related U.S. Application Data

(63) Continuation of application No. 11/038,686, filed on Jan. 19, 2005, now Pat. No. 7,007,693.

(51) **LOC (8) Cl.** **08-05**

(52) **U.S. Cl.** **D8/356**

(58) **Field of Classification Search** D8/356,
D8/358; D13/154; 242/379, 371, 388.1
See application file for complete search history.

(56) **References Cited**

U.S. PATENT DOCUMENTS

D264,447 S * 5/1982 Henkels D10/72
D316,666 S * 5/1991 Ishimaru D8/358
5,531,333 A * 7/1996 Vara 211/26

6,164,582 A * 12/2000 Vara 242/395
D505,859 S * 6/2005 Suzuki D8/358

* cited by examiner

Primary Examiner—Holly H. Baynham

(74) *Attorney, Agent, or Firm*—Law Office of David Hong

(57) **CLAIM**

The ornamental design for a cable management device, as shown and described.

DESCRIPTION

FIG. 1 is a perspective view of an embodiment of my new design for a cable management device.

FIG. 2 is a top plan view of the cable management device.

FIG. 3 is a bottom plan view of the cable management device.

FIG. 4 is a first side view of the cable management device.

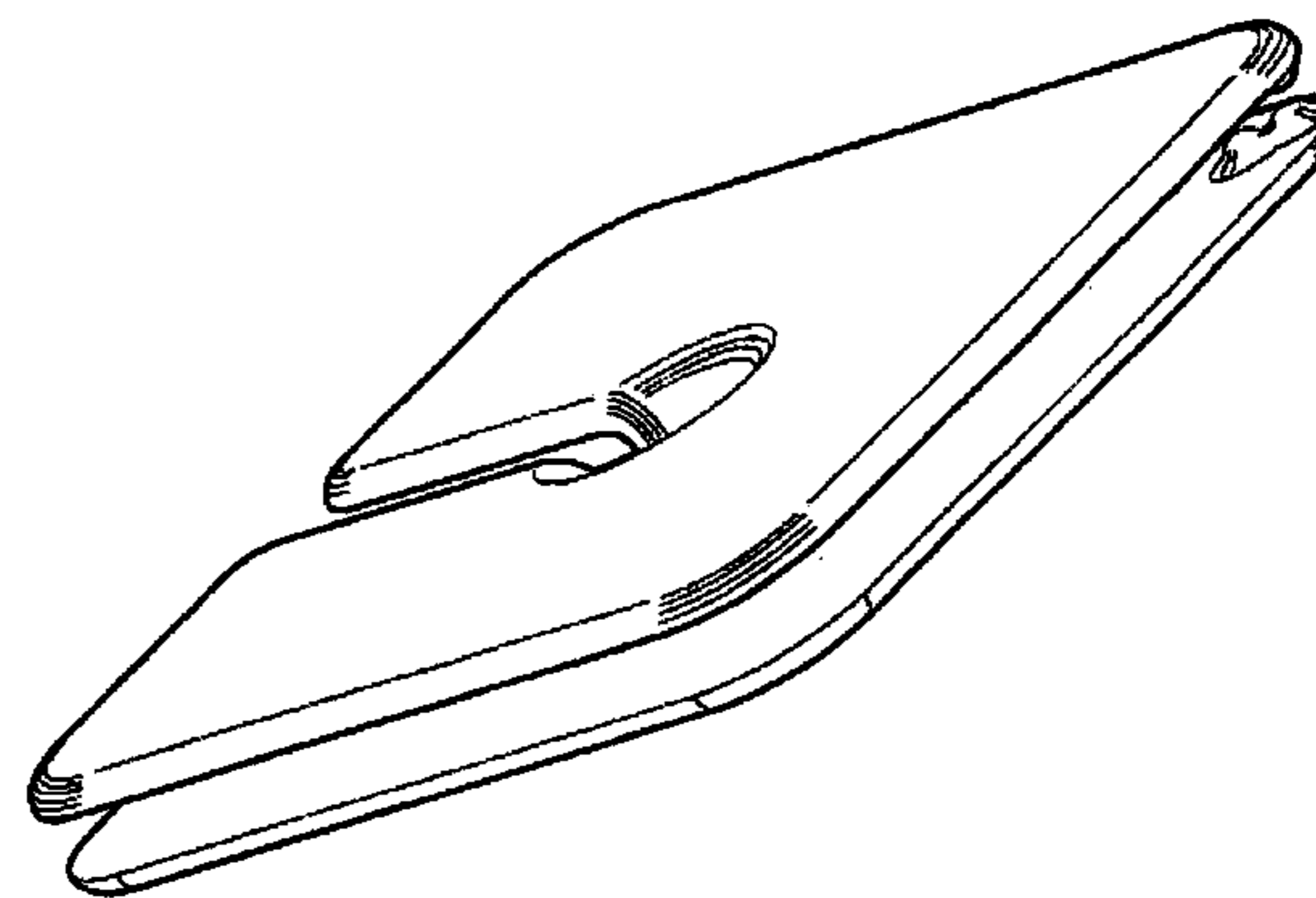
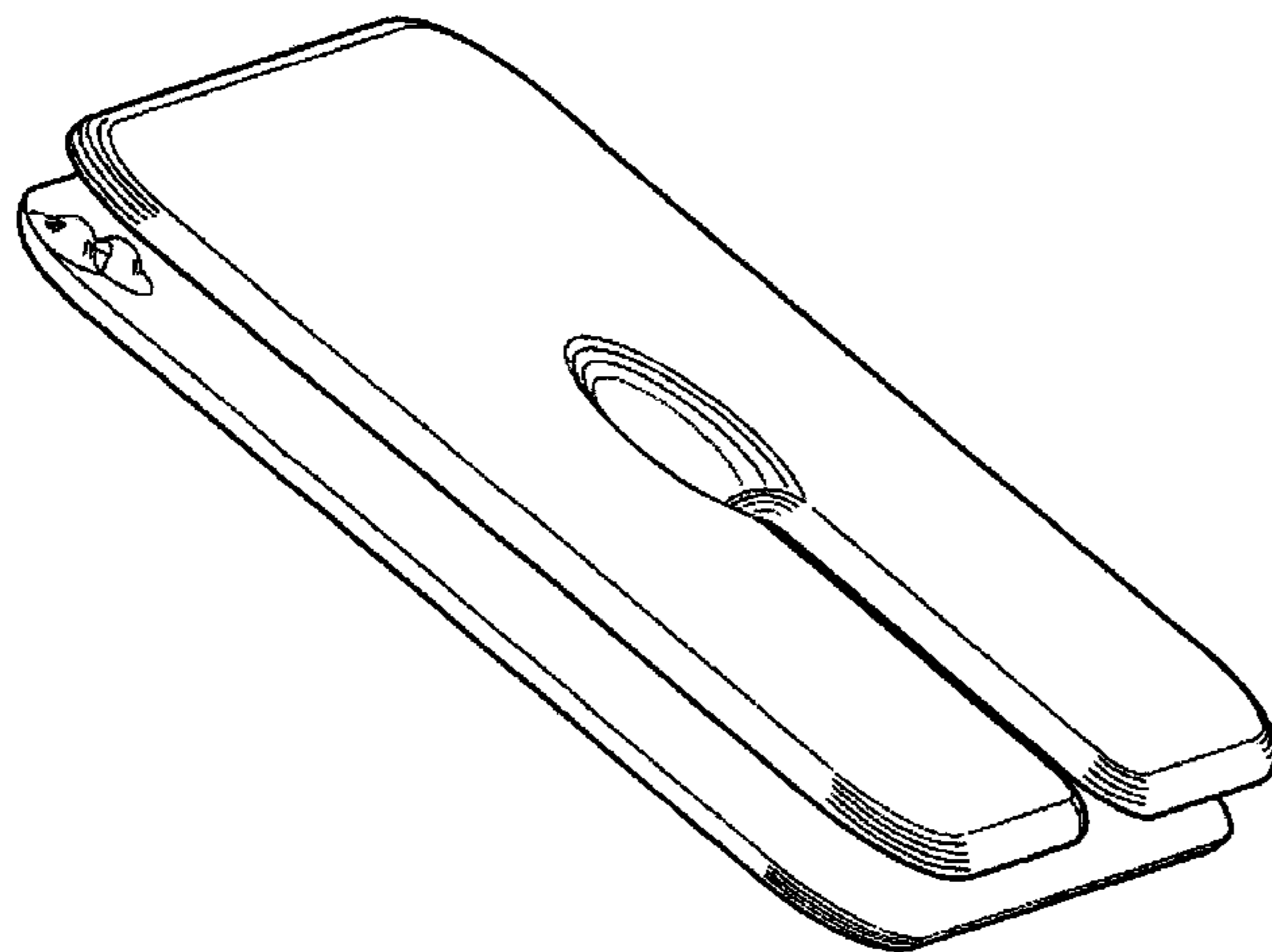
FIG. 5 is a second side view of the cable management device.

FIG. 6 is another perspective view of the cable management device.

FIG. 7 is another perspective view of the cable management device; and,

FIG. 8 is another perspective view of the cable management device.

1 Claim, 8 Drawing Sheets



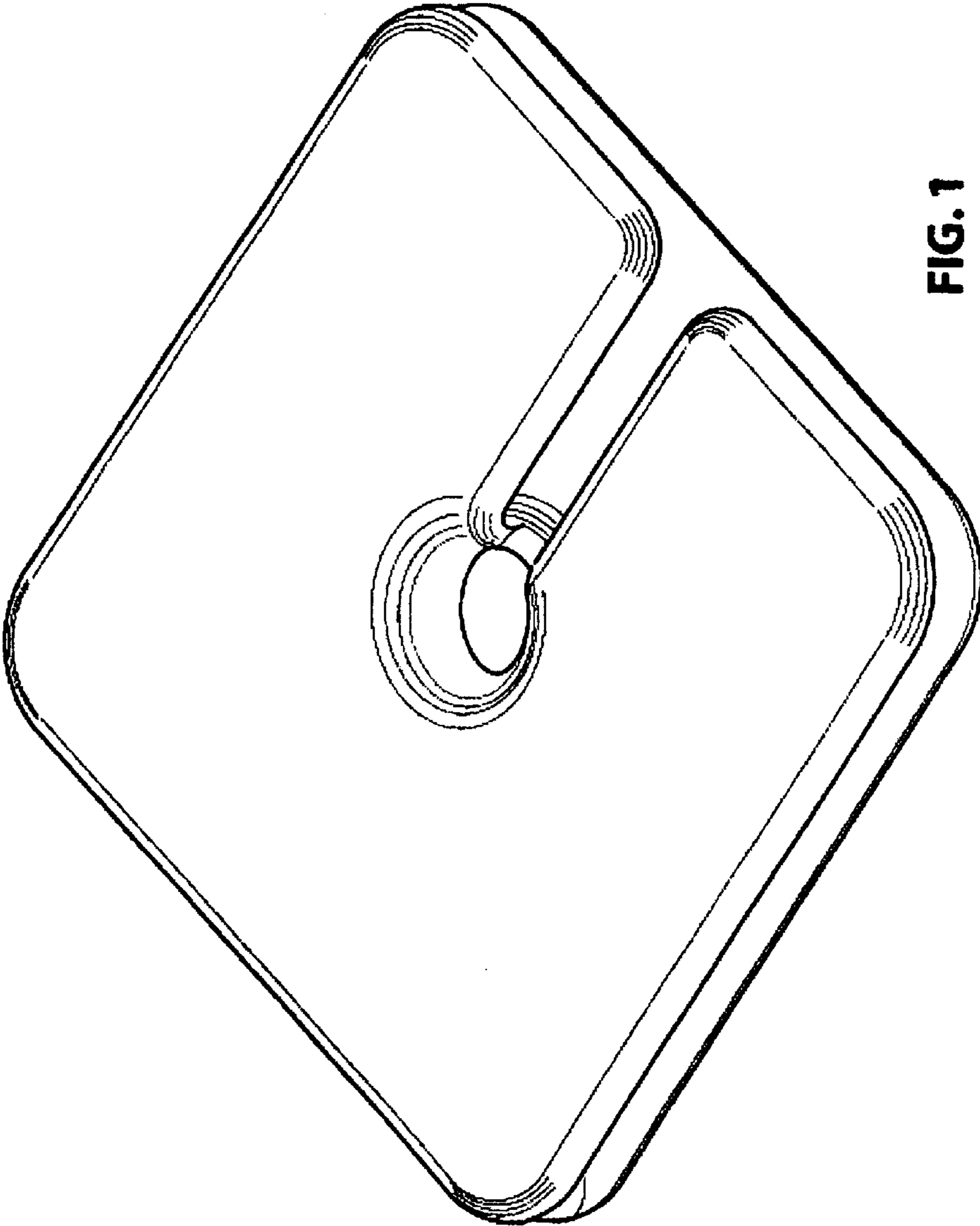


FIG. 1

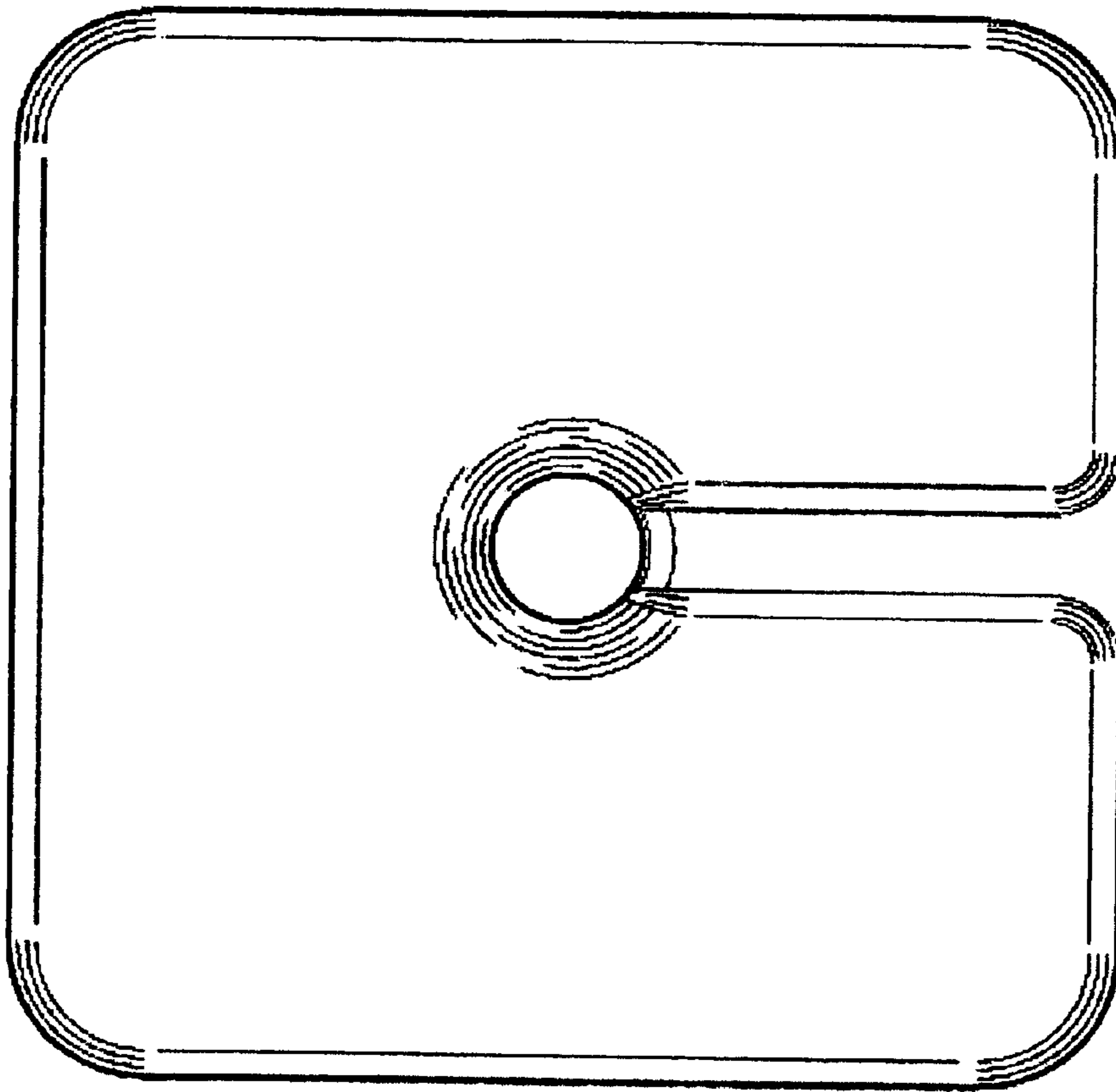


FIG. 2

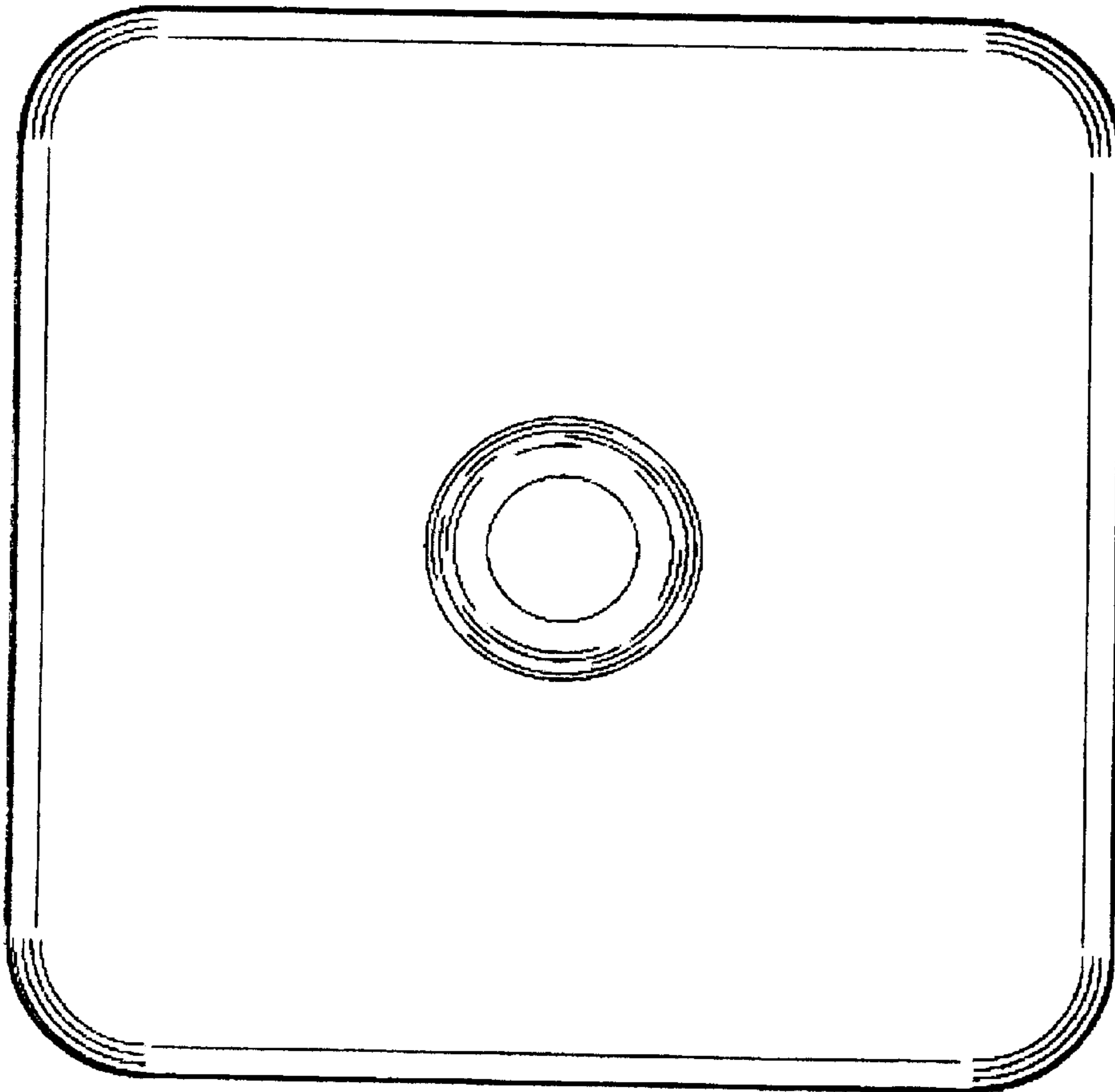


FIG. 3

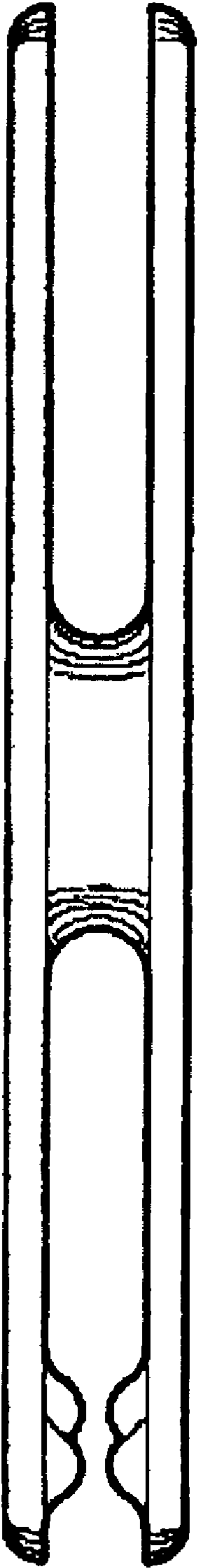


FIG. 4

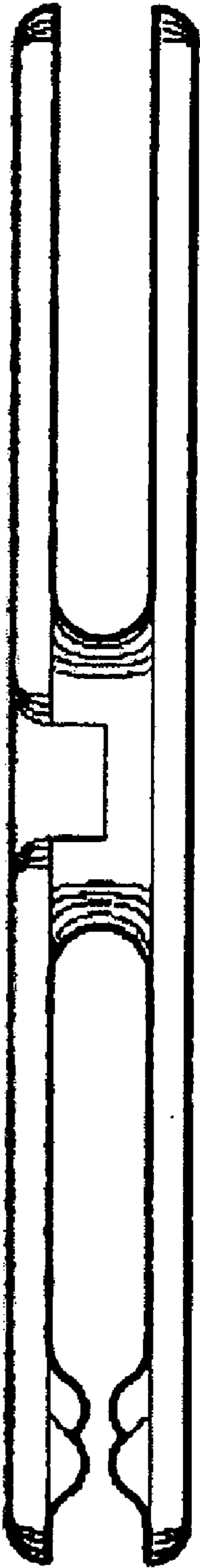


FIG. 5

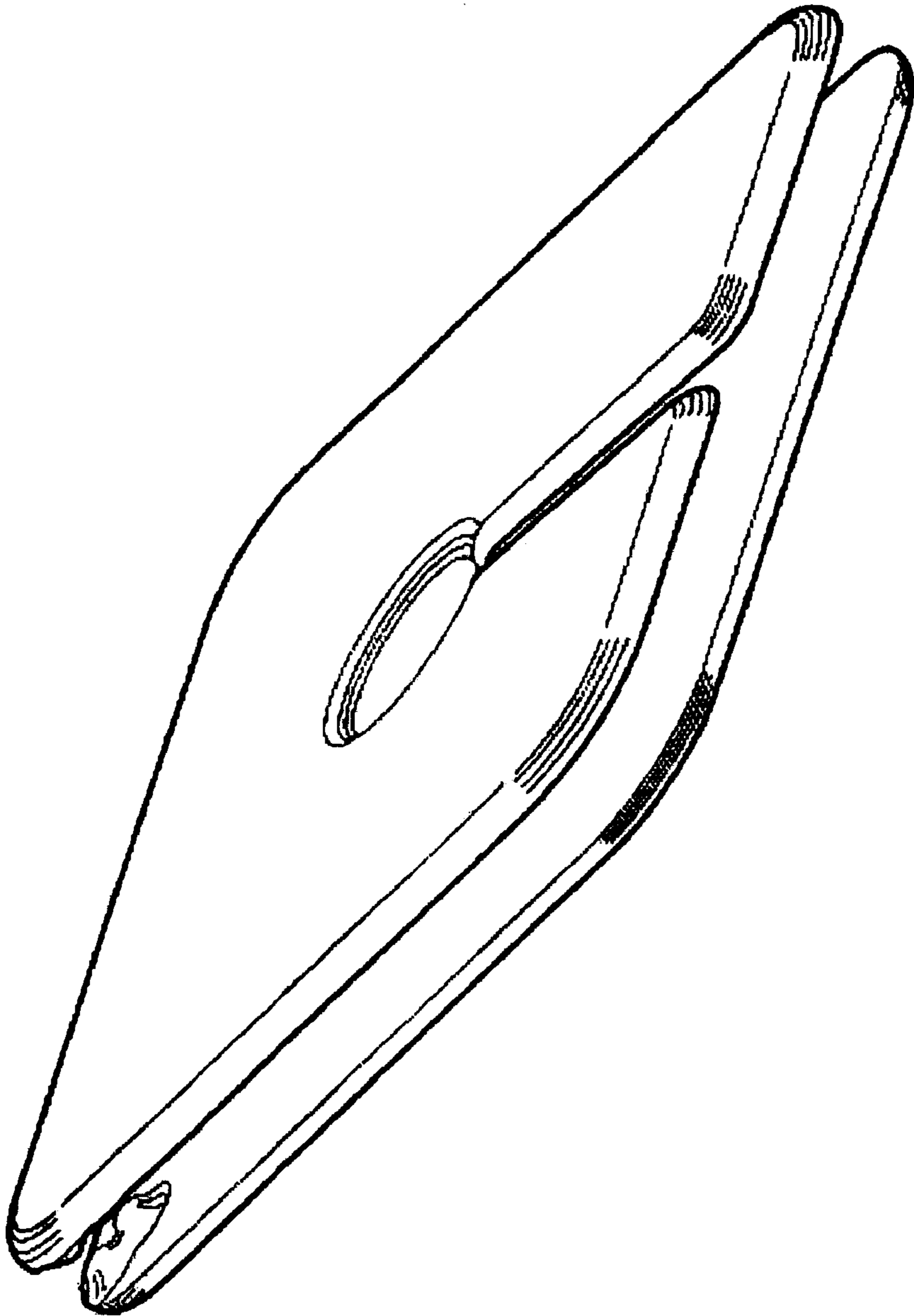


FIG. 6

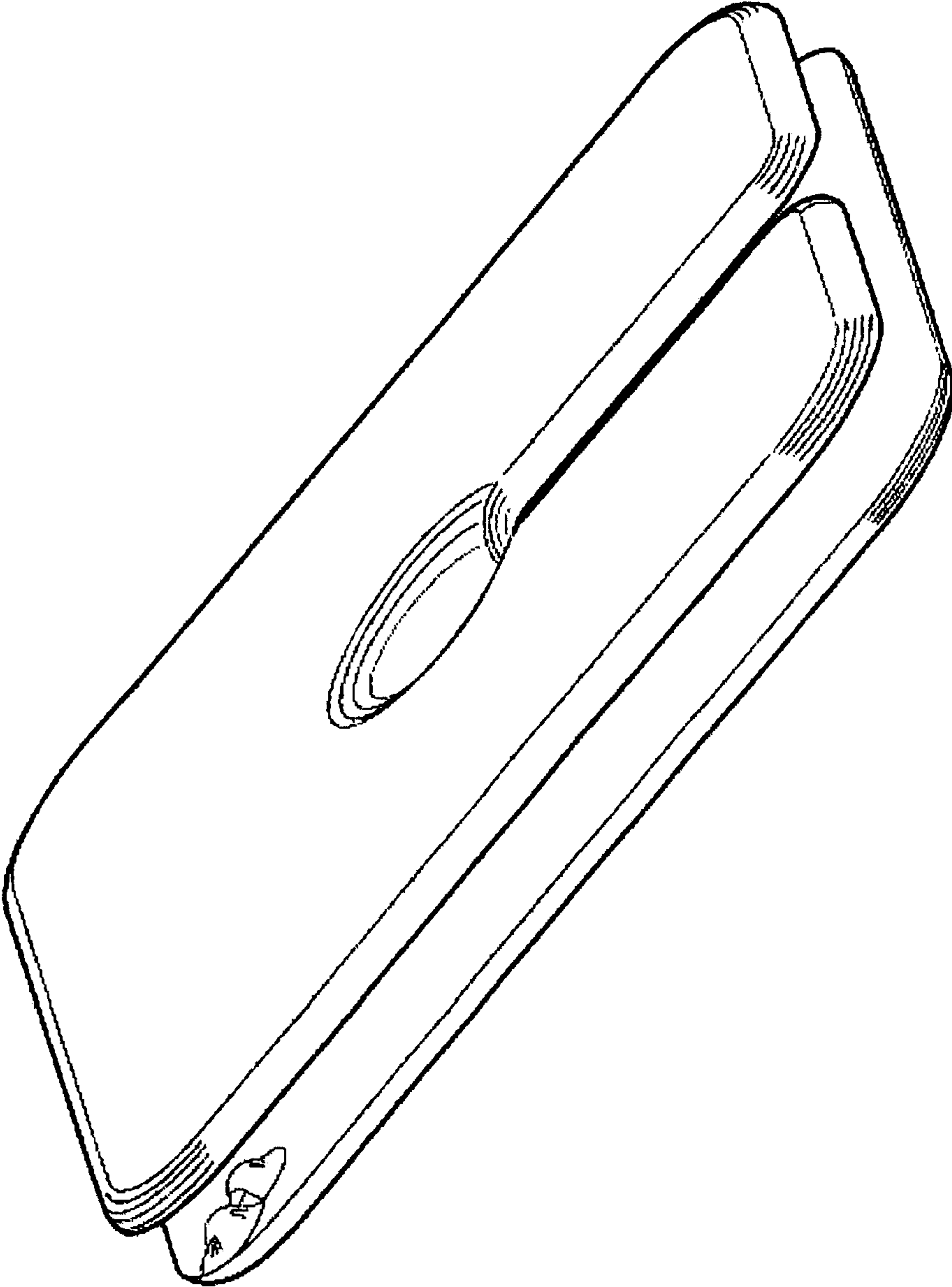


FIG. 7

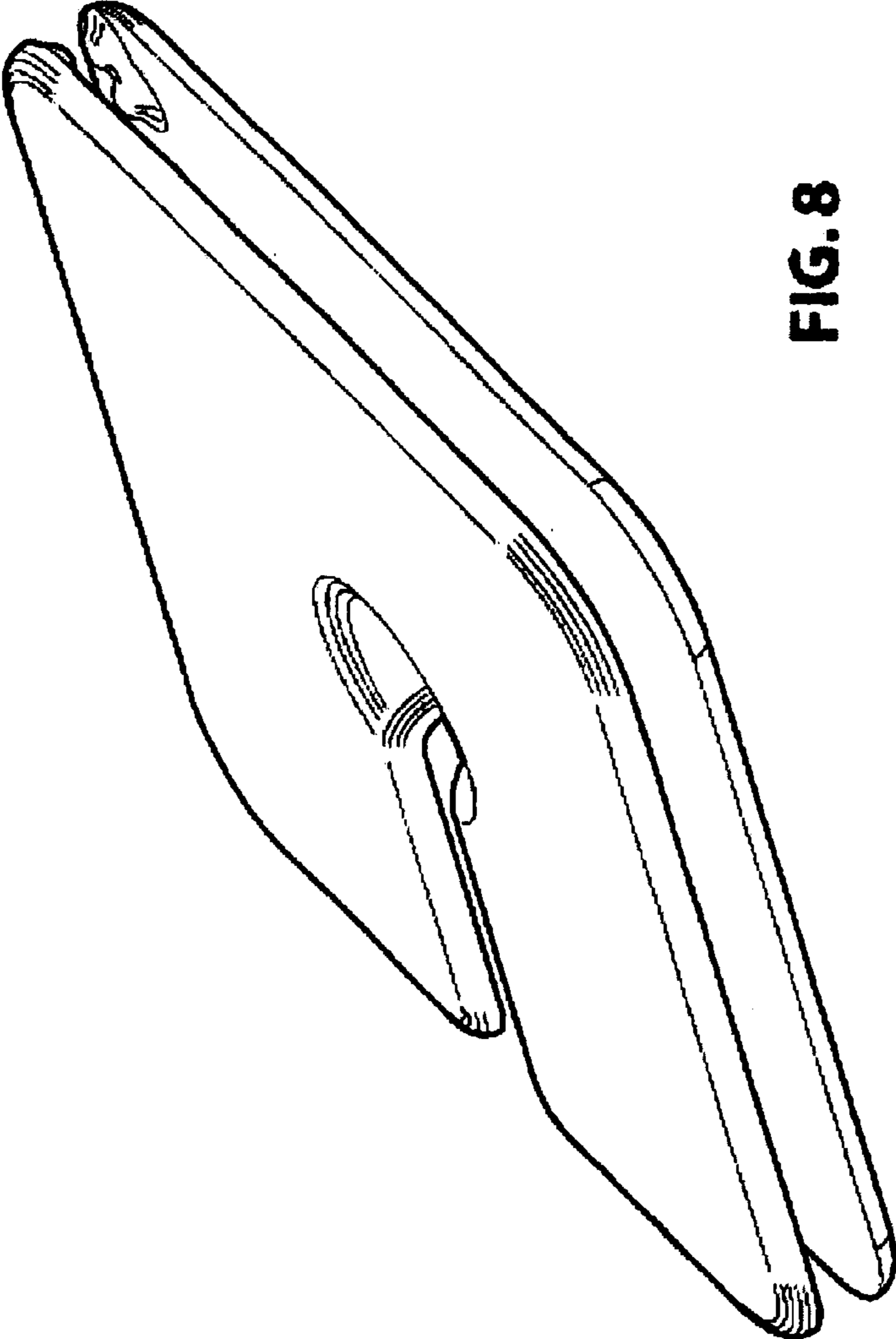


FIG. 8