

US00D542122S

(12) **United States Design Patent**
Mechalchuk et al.

(10) **Patent No.:** **US D542,122 S**

(45) **Date of Patent:** **** May 8, 2007**

(54) **ASSEMBLY OF A LUG NUT COVER AND WHEEL LOCK**

(75) Inventors: **Daniel T. W. Mechalchuk**, Royston (CA); **Gerald Mason**, Nanaimo (CA)

(73) Assignee: **California Immobilizer International Ltd**, Nanaimo, British Columbia (CA)

(**) Term: **14 Years**

(21) Appl. No.: **29/244,944**

(22) Filed: **Dec. 14, 2005**

(51) **LOC (8) Cl.** **08-07**

(52) **U.S. Cl.** **D8/330**

(58) **Field of Classification Search** D8/330-348;
70/18, 29, 225, 226, 14, 38 A, 258-260;
224/42.25, 47.26; 188/32

See application file for complete search history.

(56) **References Cited**

U.S. PATENT DOCUMENTS

D221,417 S * 8/1971 Prichard D8/333

5,134,868 A * 8/1992 Bethards 70/18
5,823,021 A * 10/1998 Chang 70/38 A
5,833,034 A * 11/1998 Banholzer 70/226
D419,424 S * 1/2000 Holden D8/341
6,360,571 B1 * 3/2002 O'Neal 70/226
2005/0247087 A1 * 11/2005 Clarke 70/226

* cited by examiner

Primary Examiner—Mitchell Siegel

(74) *Attorney, Agent, or Firm*—Willie Krawitz

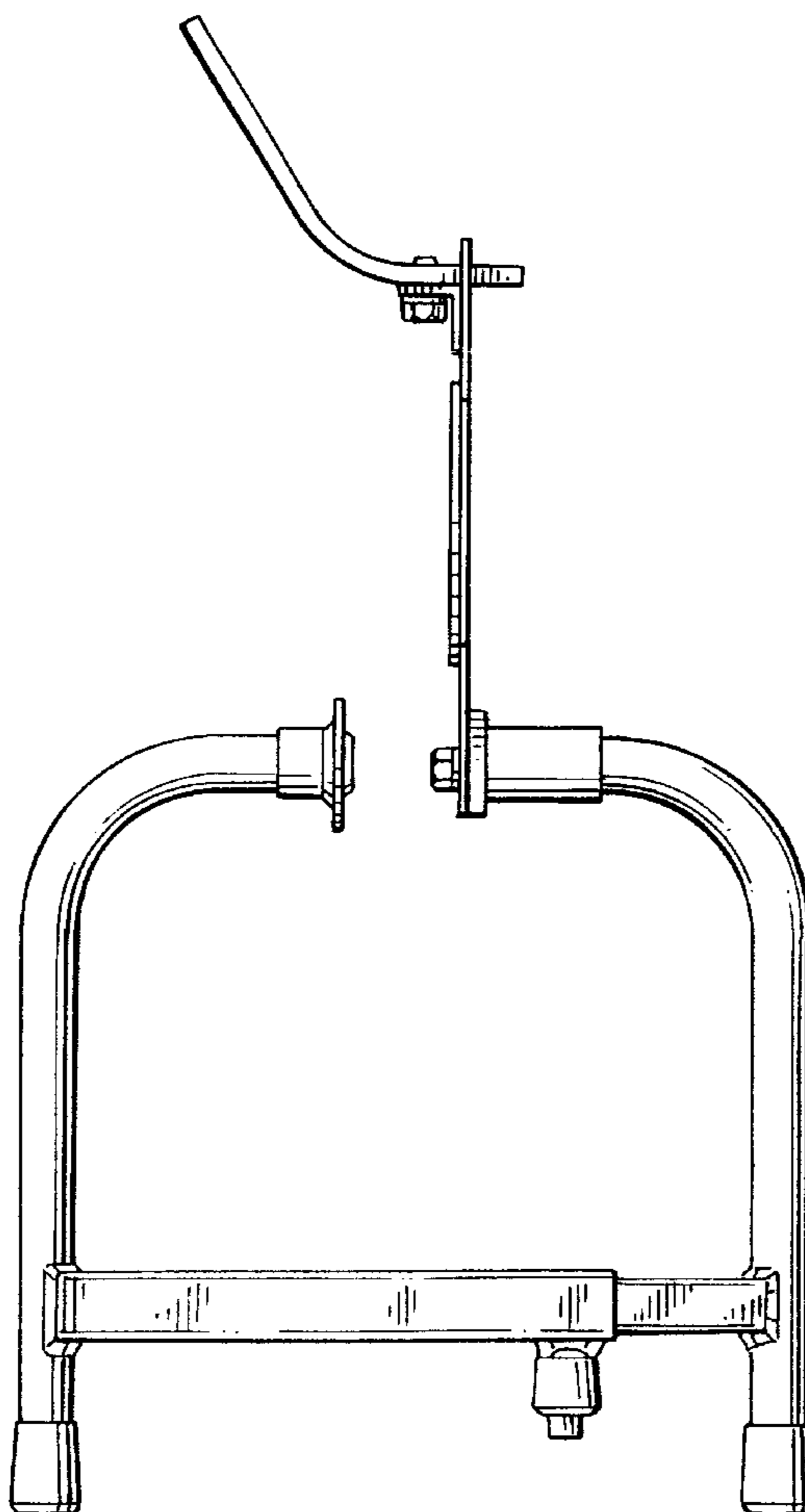
(57) **CLAIM**

The ornamental design for an assembly of a lug nut cover and wheel lock, as shown and described.

DESCRIPTION

FIG. 1 is a top plan view of an assembly of a lug nut cover and wheel lock, showing our design; FIG. 2 is a rear elevation view thereof; FIG. 3 is a front elevation view thereof; FIG. 4 is a bottom plan view thereof; FIG. 5 is a right side elevation view thereof; and, FIG. 6 is a left side elevation view thereof.

1 Claim, 2 Drawing Sheets



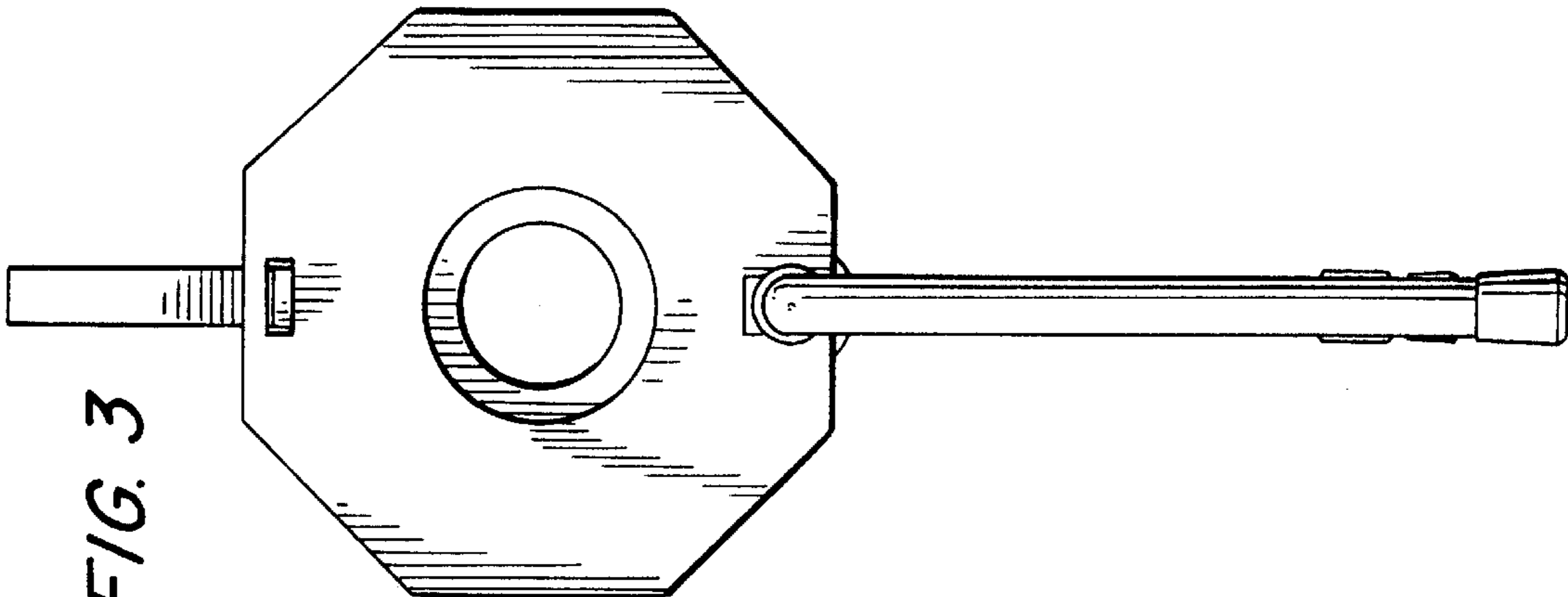


FIG. 3

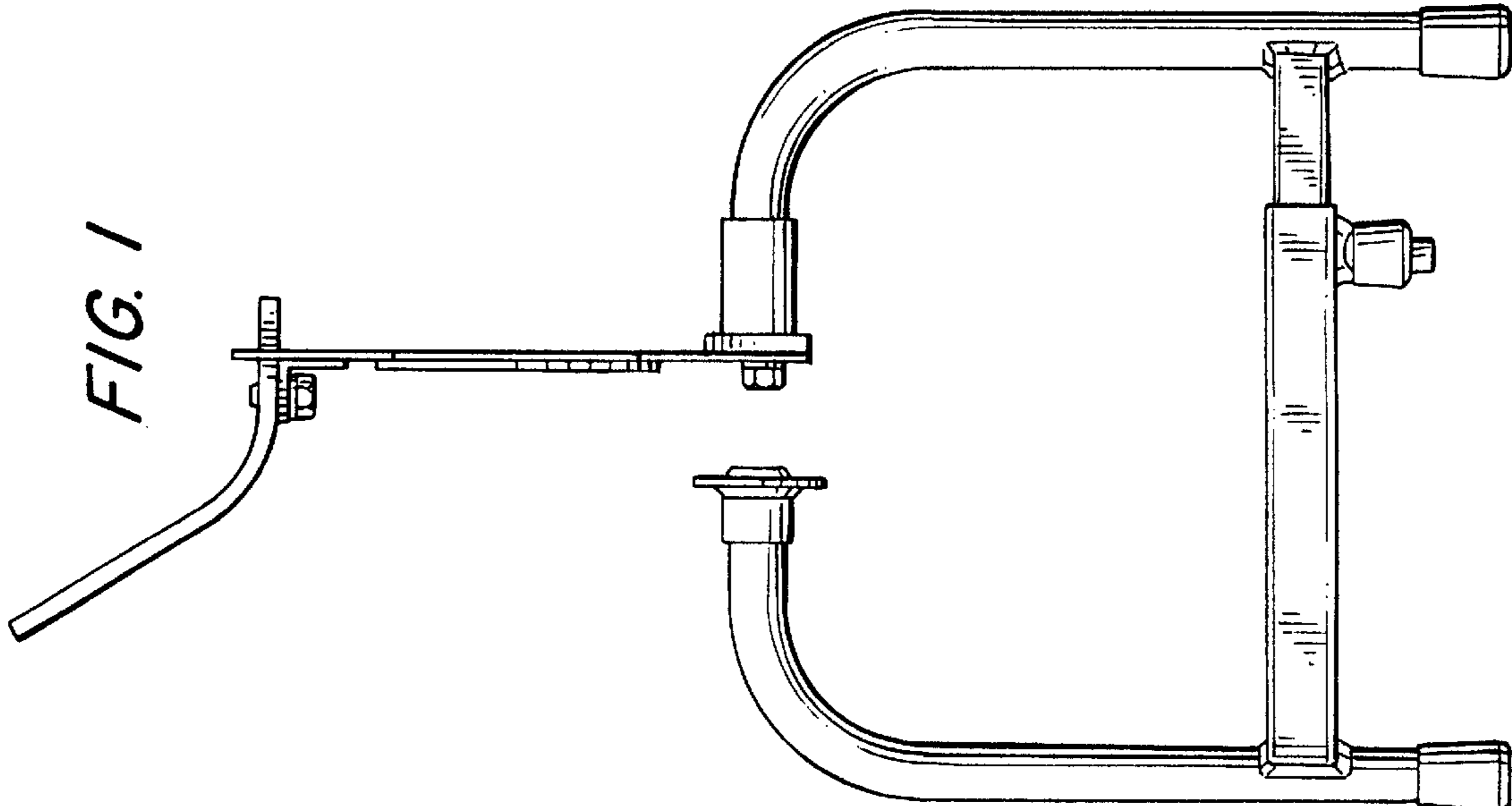


FIG. 1

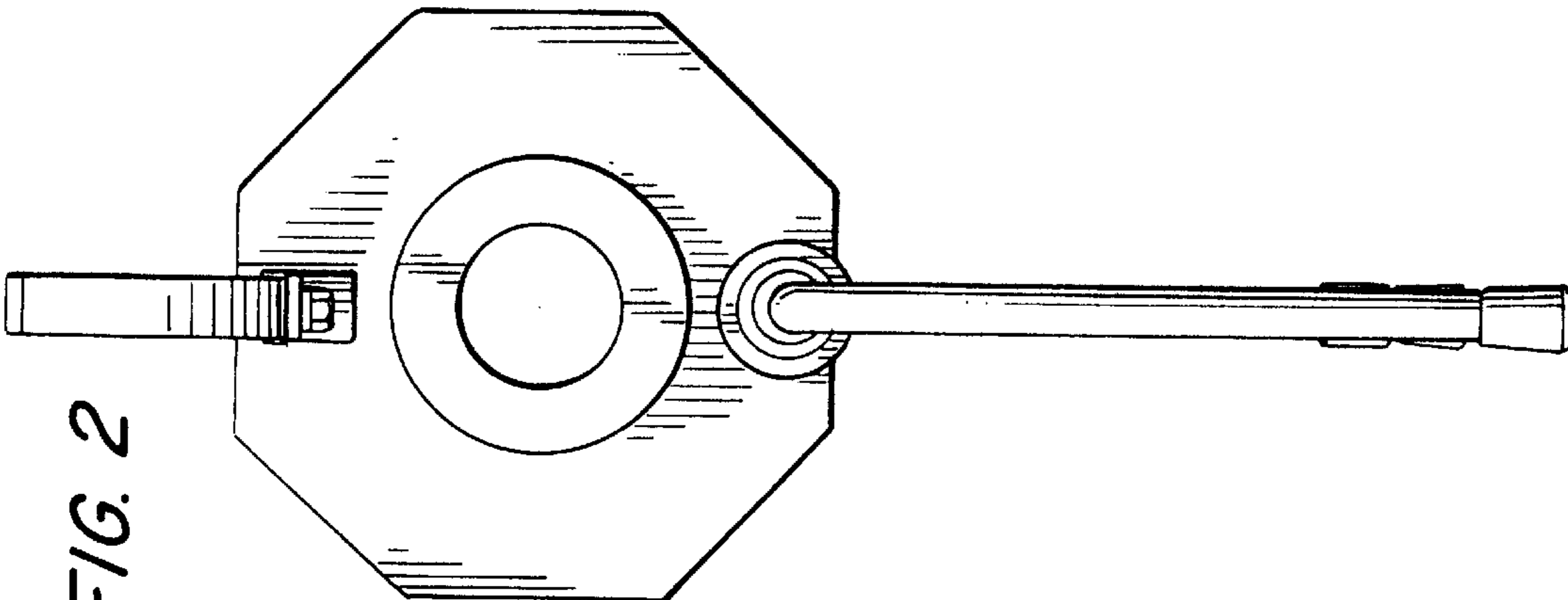


FIG. 2

FIG. 5

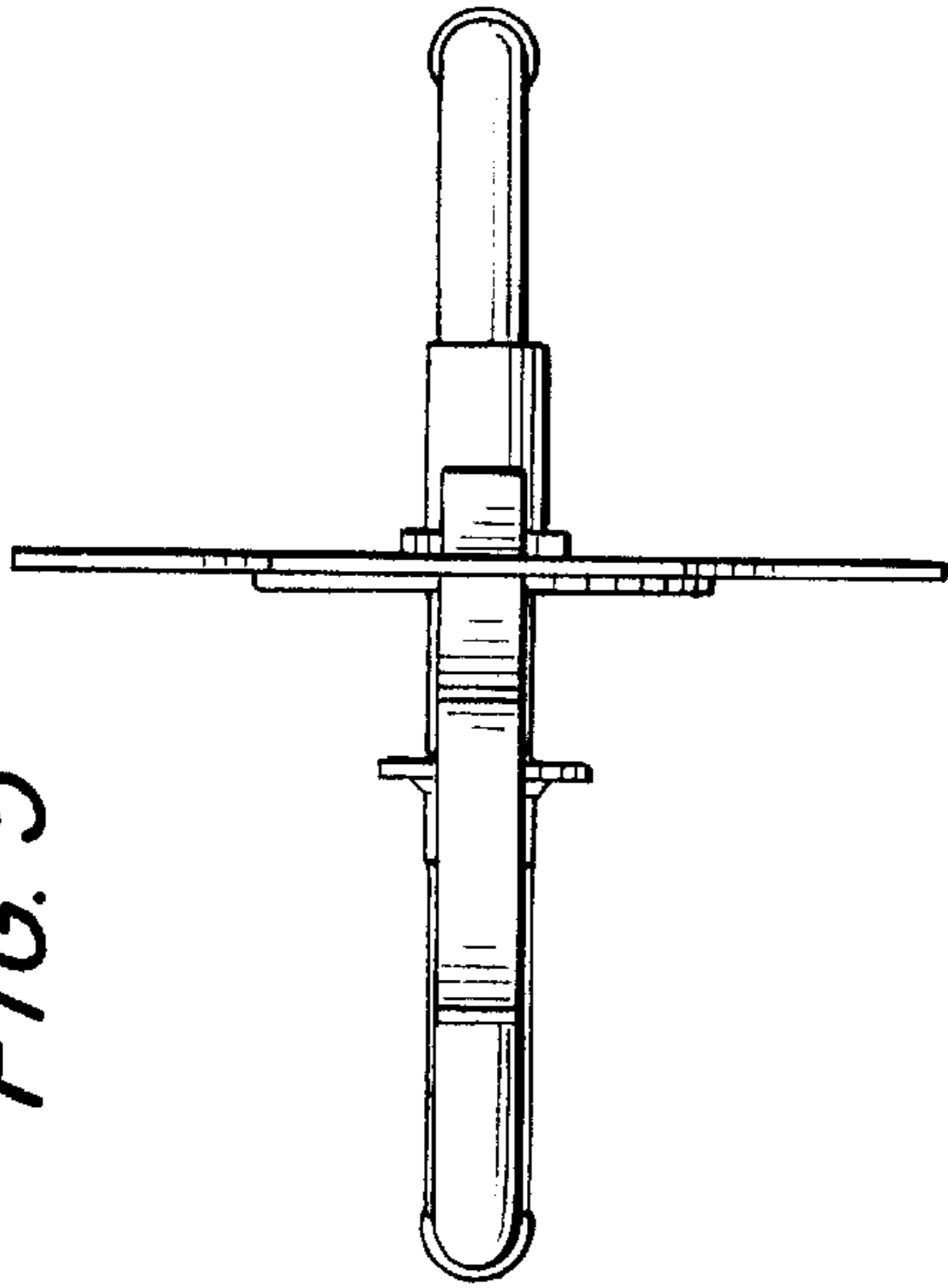


FIG. 6

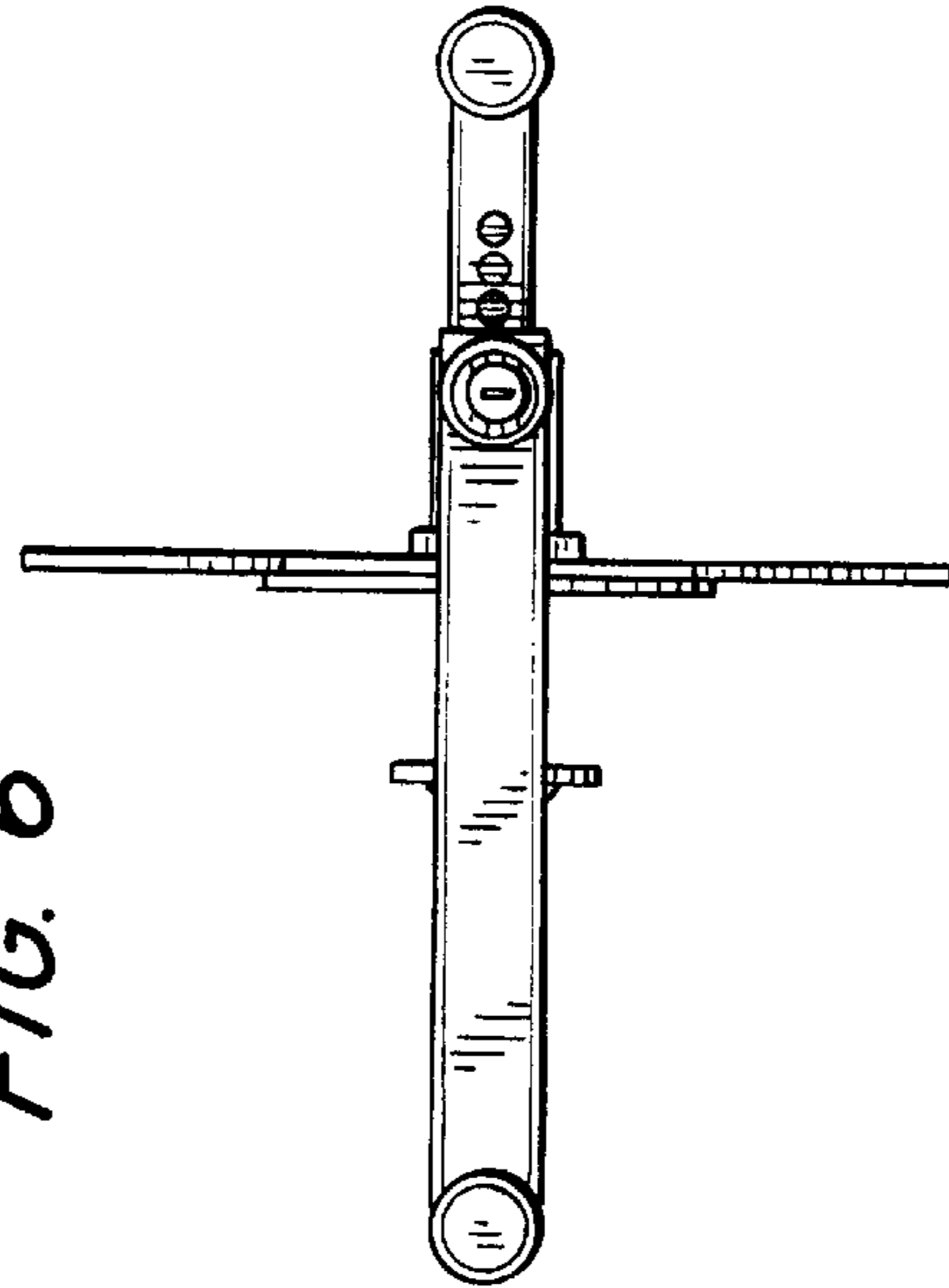


FIG. 4

