

US00D542118S

(12) **United States Design Patent**
Fields

(10) **Patent No.:** **US D542,118 S**

(45) **Date of Patent:** **** May 8, 2007**

(54) **PULL**

(75) **Inventor:** **Betsy Fields**, Silverton, CO (US)

(73) **Assignee:** **Liberty Hardware Mfg. Corp.**,
Winston-Salem, NC (US)

(**) **Term:** **14 Years**

(21) **Appl. No.:** **29/245,245**

(22) **Filed:** **Dec. 21, 2005**

(51) **LOC (8) Cl.** **08-06**

(52) **U.S. Cl.** **D8/317**

(58) **Field of Classification Search** D8/300,
D8/301, 302, 315, 316-319, DIG. 1; 116/110.1,
116/410, 441, 414-419, 443, 444, 445; 190/115-116;
D7/394; 5/704

See application file for complete search history.

(56) **References Cited**

U.S. PATENT DOCUMENTS

D99,252 S * 4/1936 Jaarda D8/317

2,122,355 A * 6/1938 Bechik 5/704
2,151,182 A * 3/1939 Birdsall 16/444
D123,853 S * 12/1940 Borchers D8/317
D246,695 S * 12/1977 Clayton D8/319
D402,530 S * 12/1998 Simons et al. D8/317
D422,878 S * 4/2000 Marshall et al. D8/317

* cited by examiner

Primary Examiner—Paula A. Greene

(74) *Attorney, Agent, or Firm*—Edgar A. Zarins; Lloyd D. Doigan

(57) **CLAIM**

The ornamental design for a pull, as shown and described.

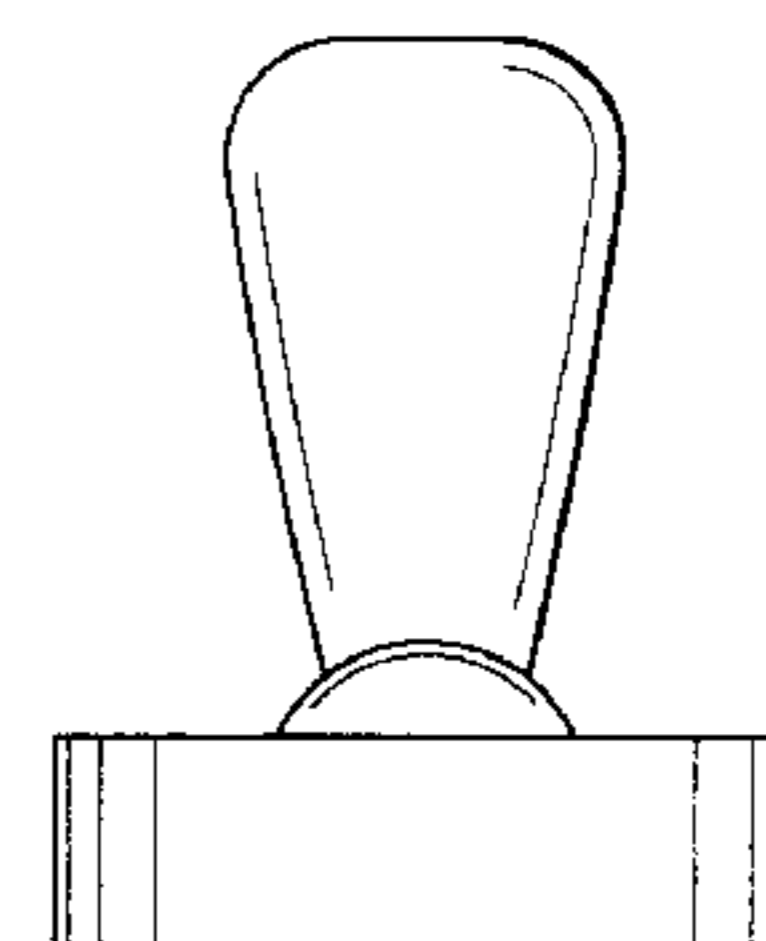
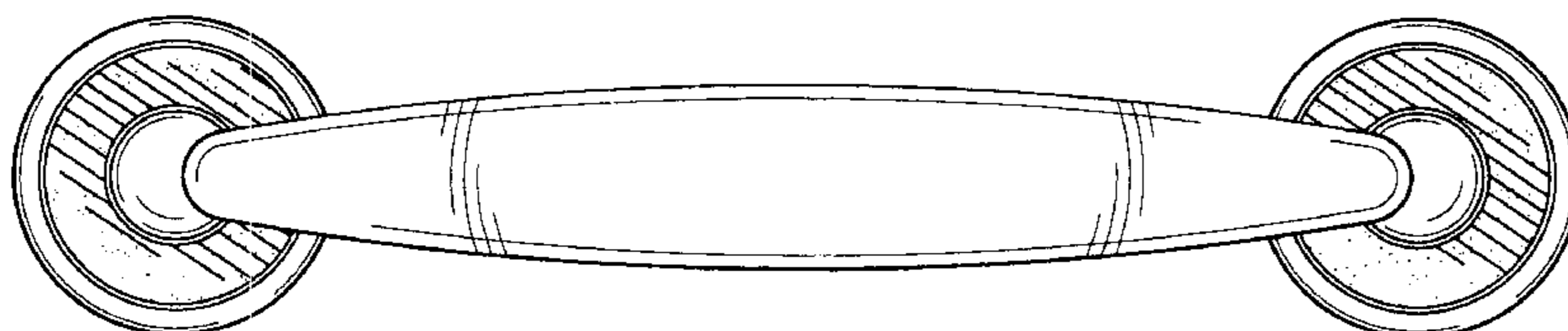
DESCRIPTION

FIG. 1 is a front elevational view of a pull showing my new design;

FIG. 2 is a bottom side view thereof, the opposite side being a mirror image of the side shown; and,

FIG. 3 is an end view thereof, the opposite end being a mirror image of the end shown.

1 Claim, 1 Drawing Sheet



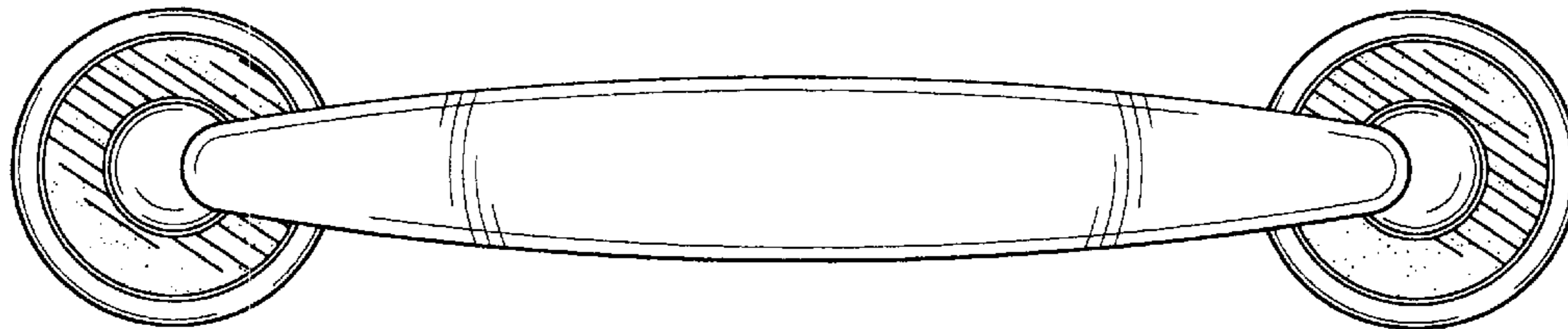


Fig-1

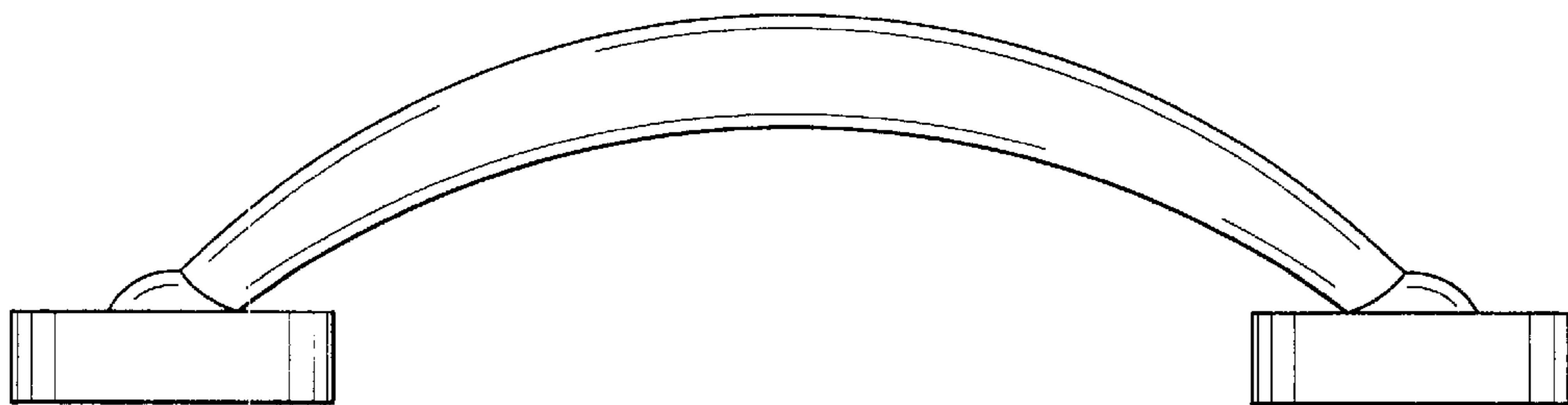


Fig-2

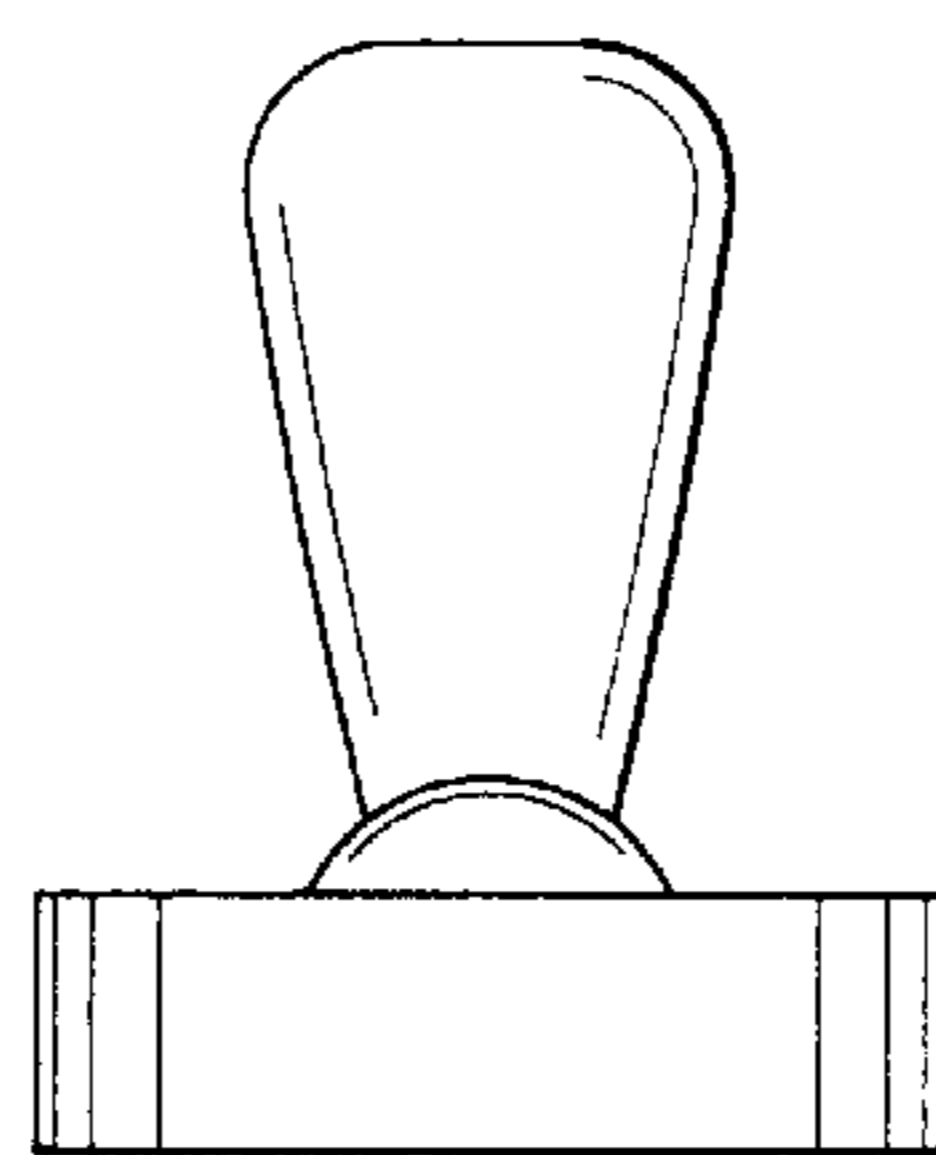


Fig-3