

US00D542115S

(12) **United States Design Patent**
Hanna et al.

(10) **Patent No.:** **US D542,115 S**

(45) **Date of Patent:** **** May 8, 2007**

(54) **DOOR KNOB**

(75) Inventors: **Aaron E. Hanna**, Redlands, CA (US);
Jason D. Veltz, Dana Point, CA (US)

(73) Assignee: **Newfrey LLC**, Newark, DE (US)

(**) Term: **14 Years**

(21) Appl. No.: **29/197,155**

(22) Filed: **Jan. 9, 2004**

(51) **LOC (8) Cl.** **08-06**

(52) **U.S. Cl.** **D8/310**

(58) **Field of Classification Search** D8/301,
D8/302, 307, 310, 338, 350, 379; D23/250,
D23/251, 254; 292/337, 356, 347, 357; 16/402,
16/412, 414, 417, 444, 442, 443, 691; 428/583;
70/107

See application file for complete search history.

(56) **References Cited**

U.S. PATENT DOCUMENTS

372,649 A	11/1887	Alden	
D43,534 S	2/1913	Hawley	
1,567,954 A	12/1925	Kalm	
1,593,939 A	7/1926	Holstein	
1,803,375 A	5/1931	Adams	
2,688,181 A	* 9/1954	Livermont et al.	428/583
2,751,243 A	* 6/1956	Biblin	292/337
D179,458 S	12/1956	Ohno	
D179,679 S	2/1957	Ellis	
2,993,720 A	* 7/1961	Russell	292/347
2,998,993 A	* 9/1961	North et al.	292/347

3,025,694 A	* 3/1962	George	70/107
3,065,014 A	* 11/1962	Russell	292/356
3,096,115 A	7/1963	Patriquin	
D199,924 S	12/1964	Schlage	
D206,059 S	10/1966	Clayton	
D225,393 S	12/1972	Giandomenico	
D225,394 S	12/1972	Giandomenico	
4,193,166 A	3/1980	Neff	
5,685,583 A	11/1997	Meck	
D506,665 S	* 6/2005	Sun et al.	D8/310

* cited by examiner

Primary Examiner—Paula A. Greene

(74) *Attorney, Agent, or Firm*—Richard J. Veltman; John D. DelPonti

(57) **CLAIM**

The ornamental design for a door knob, as shown and described.

DESCRIPTION

FIG. 1 is a perspective view of the new design for a door knob;

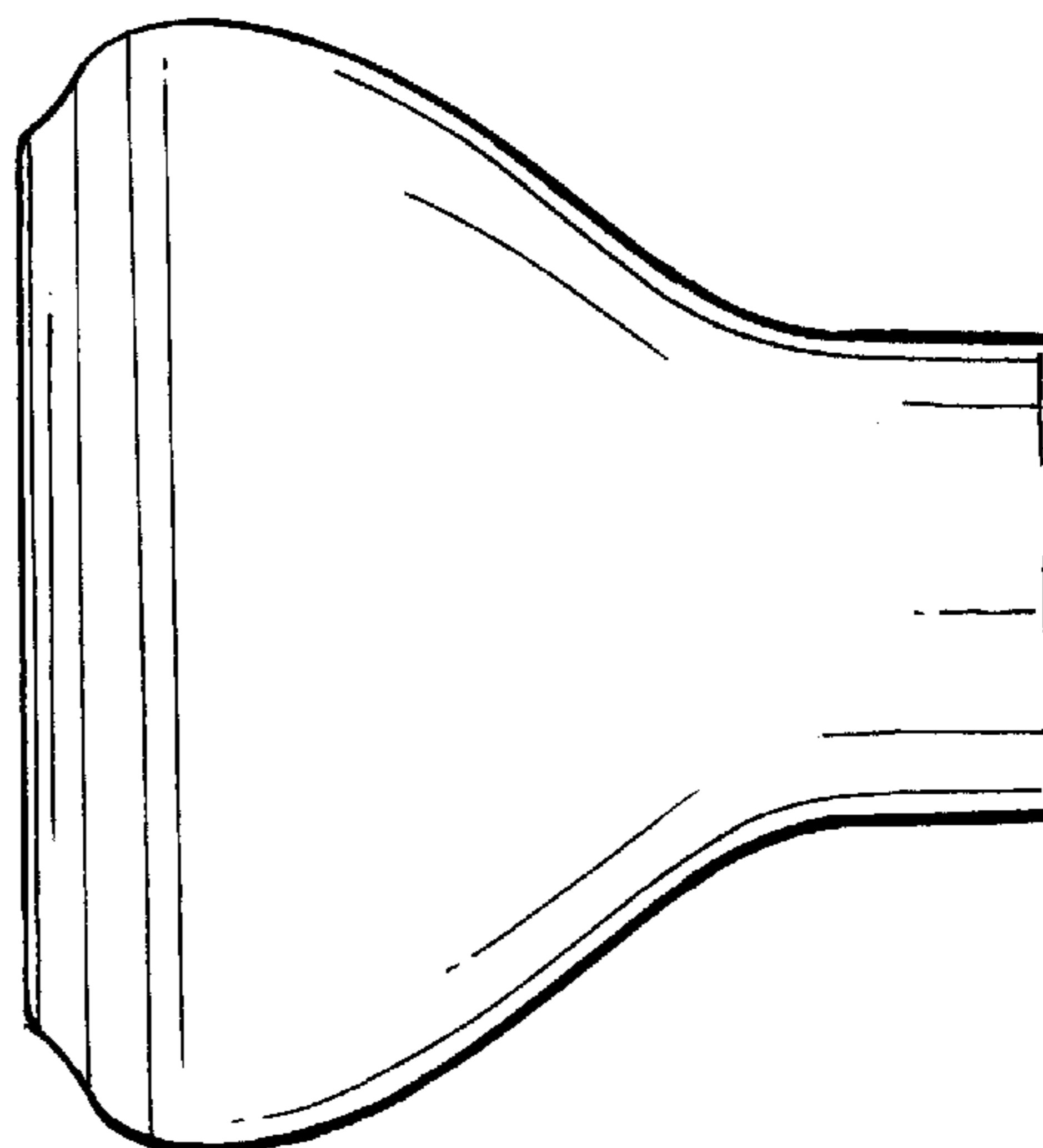
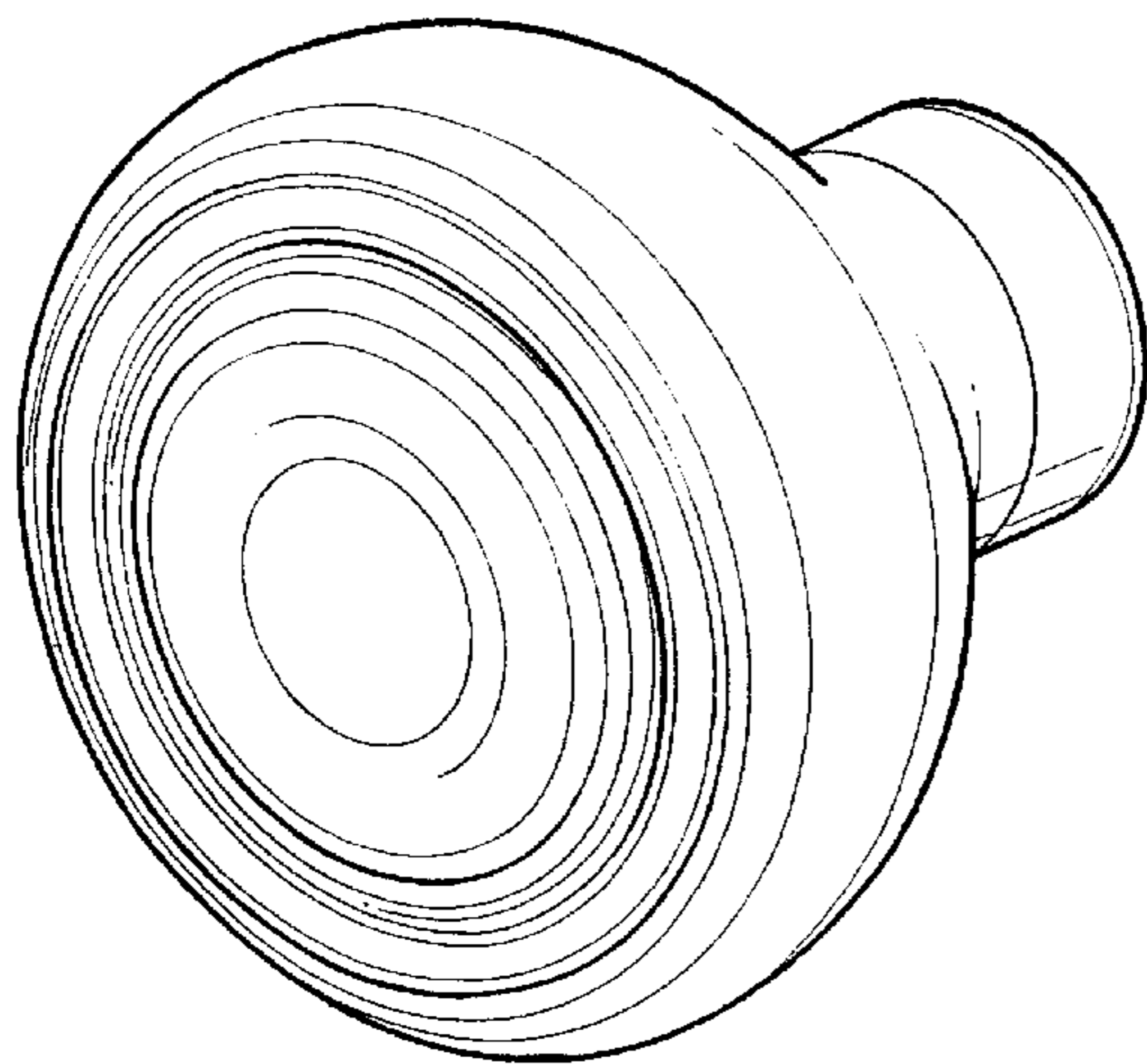
FIG. 2 is a front elevational view of the new design for a door knob;

FIG. 3 is a rear elevational view of the new design for a door knob; and,

FIG. 4 is a right side elevational view of the new design for a door knob, the left side elevational view being a mirror image.

The broken lines in FIG. 3 are for illustrative purposes only and form no part of the claimed design.

1 Claim, 2 Drawing Sheets



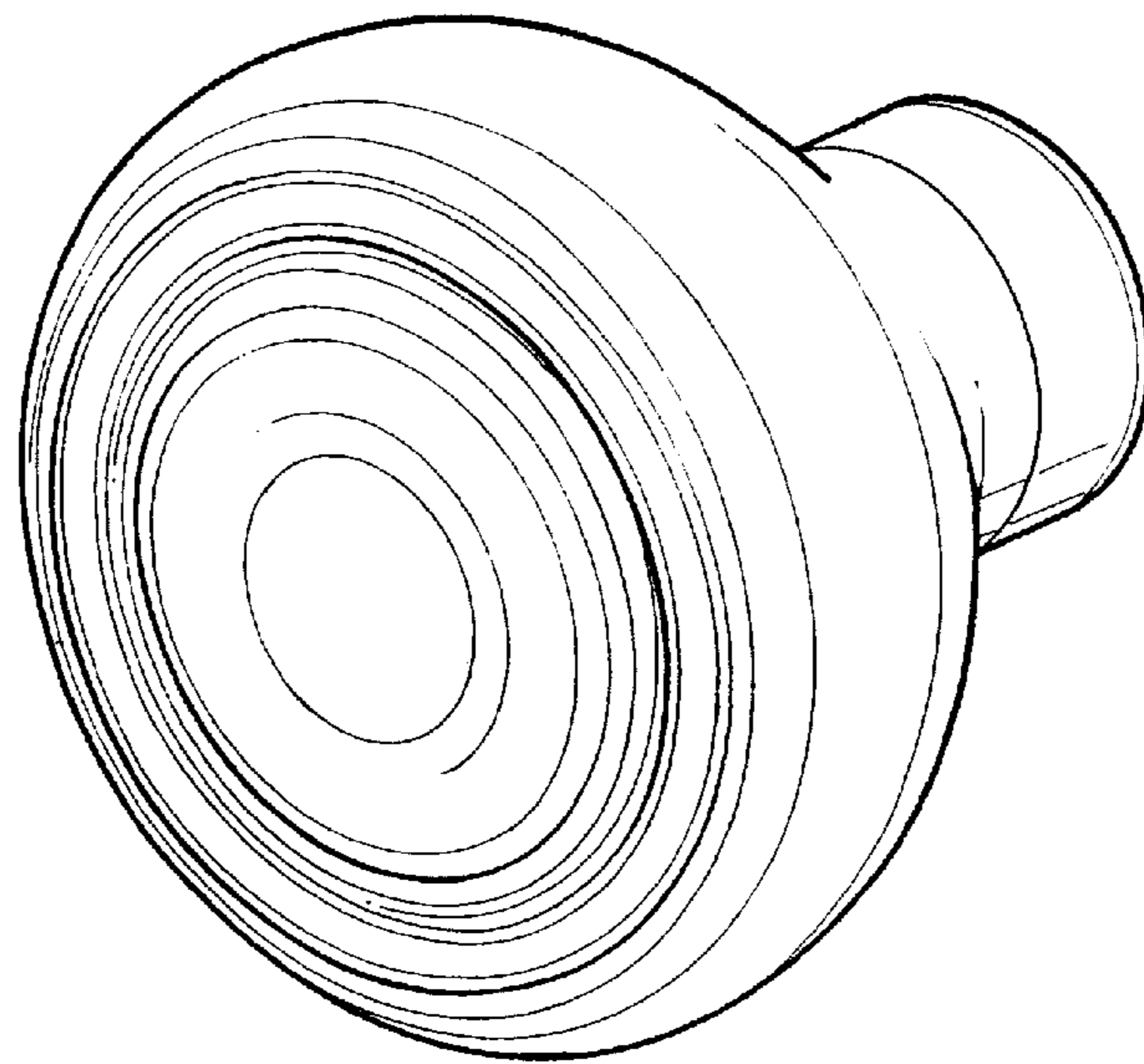


FIG. 1

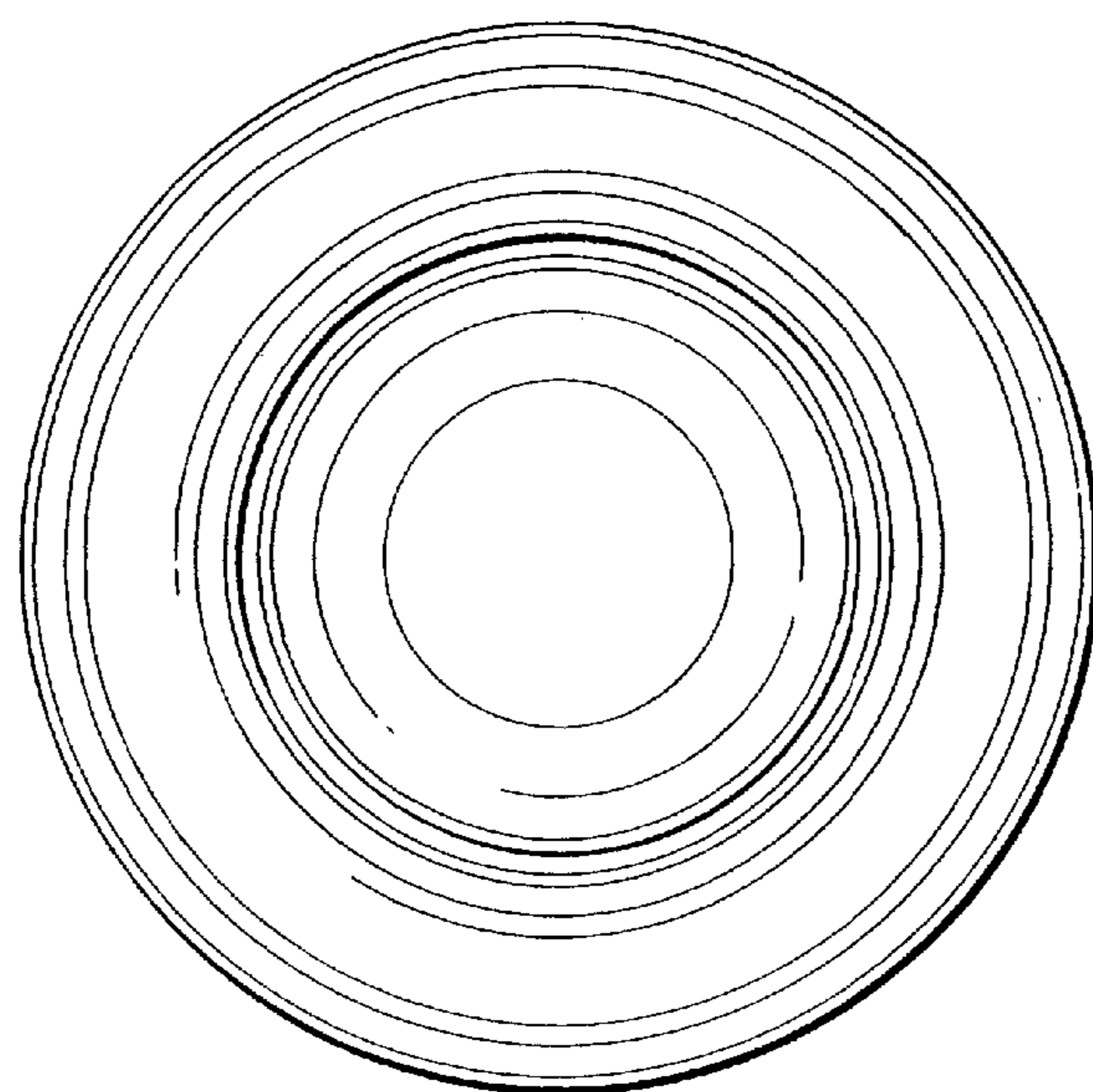


FIG. 2

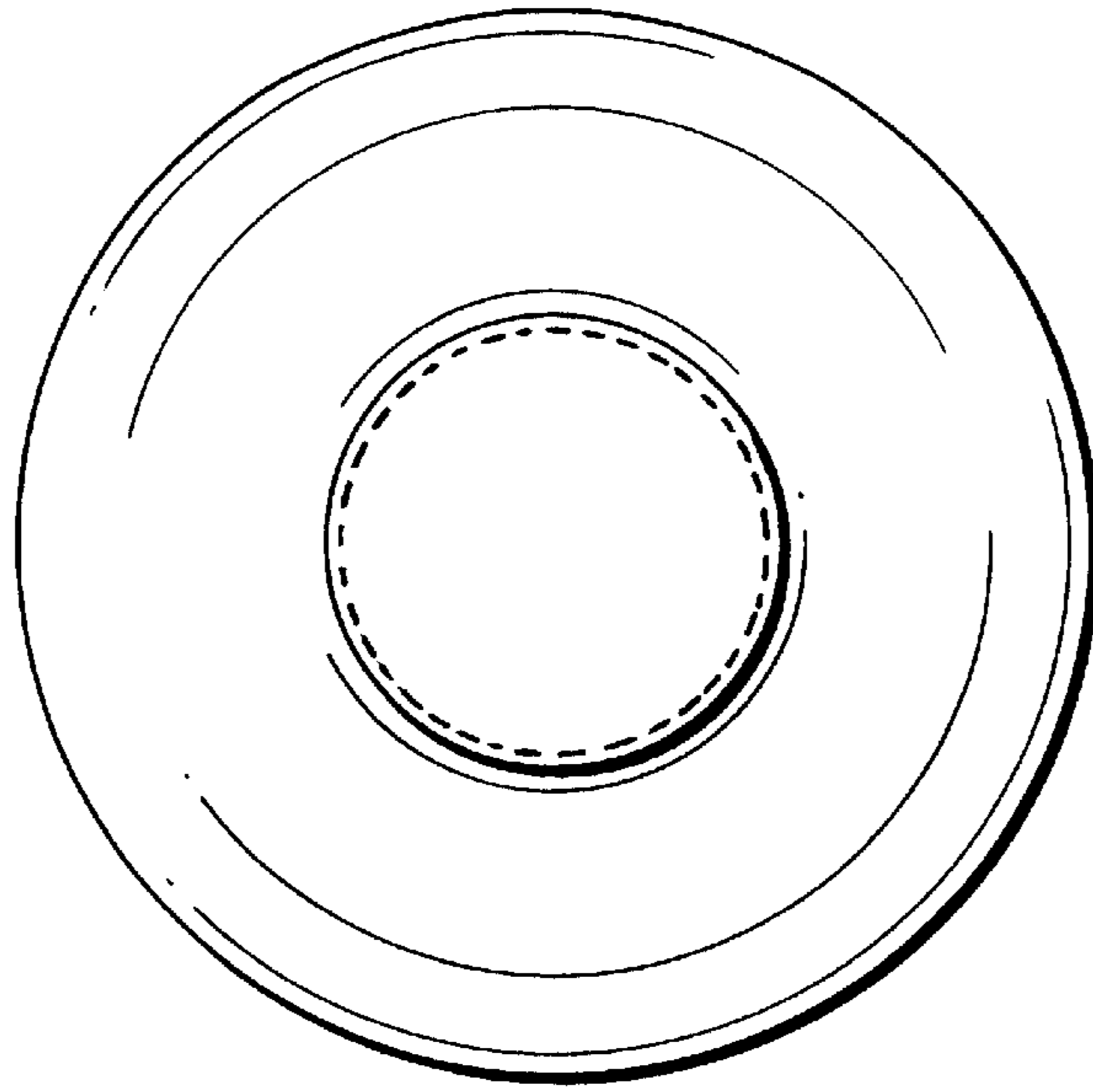


FIG. 3

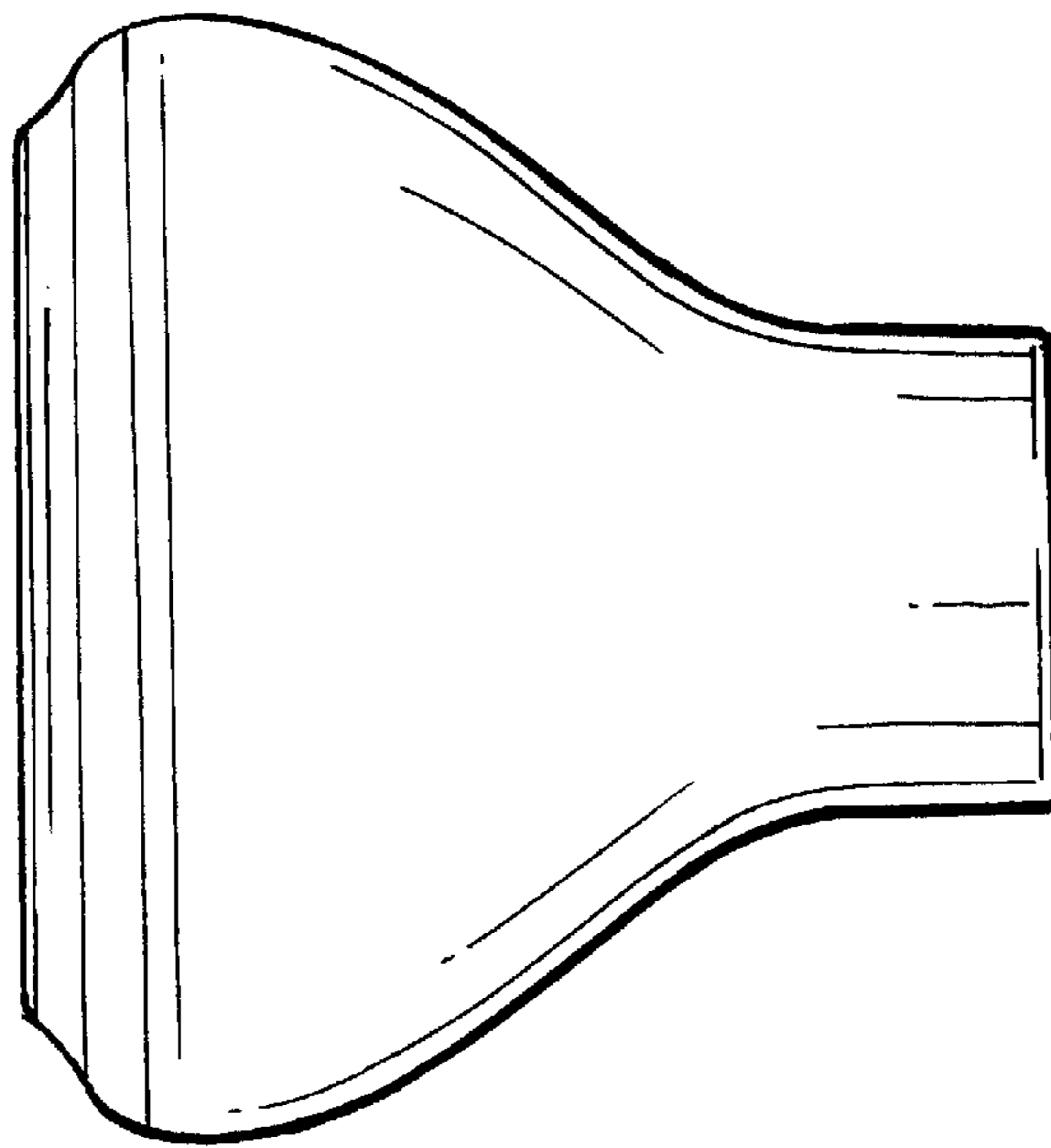


FIG. 4