

US00D542112S

(12) **United States Design Patent** (10) **Patent No.:** **US D542,112 S**  
**Radle et al.** (45) **Date of Patent:** **\*\* May 8, 2007**

(54) **TOOL PORTION**

(75) Inventors: **Patrick J. Radle**, Mequon, WI (US);  
**Daryl C. Brockman**, Shorewood, WI  
(US); **Debra L. Weich**, Mequon, WI  
(US)

(73) Assignee: **Actuant Corporation**, Glendale, WI  
(US)

(\*\*) Term: **14 Years**

(21) Appl. No.: **29/240,096**

(22) Filed: **Oct. 7, 2005**

(51) **LOC (8) Cl.** ..... **08-05**

(52) **U.S. Cl.** ..... **D8/107; D8/25**

(58) **Field of Classification Search** ..... D24/146,  
D24/133; D21/809, 237, 803; D12/316, 317,  
D12/318, 307, 223; D8/1, 8, 382, 316, 317,  
D8/45, 107, 70, 21, 25; D9/311; 441/23,  
441/30, 129-131; 16/11 R, 110.1; 81/489,  
81/488, 177.1; D4/104, 137, 138; D22/118;  
242/405.3, 588.2, 395

See application file for complete search history.

(56) **References Cited**

**U.S. PATENT DOCUMENTS**

D199,149 S	*	9/1964	Greenlee	.....	D8/25
4,561,845 A	*	12/1985	Meller	.....	433/29
D358,491 S	*	5/1995	Hoagland	.....	D4/138
D363,010 S	*	10/1995	Parsons	.....	D8/28
D402,867 S	*	12/1998	Macor	.....	D8/25
D403,935 S	*	1/1999	Jones	.....	D8/28
D414,095 S	*	9/1999	Hoepfl et al.	.....	D8/83
D417,373 S	*	12/1999	Neyton et al.	.....	D8/25
D429,979 S	*	8/2000	Chiang	.....	D8/25
6,116,122 A	*	9/2000	Lien-Sheng	.....	81/177.1
D431,763 S	*	10/2000	Liu	.....	D8/25
D442,053 S	*	5/2001	Jimenez	.....	D8/95
D442,446 S	*	5/2001	Hortnagl	.....	D8/10
D444,689 S	*	7/2001	Staton et al.	.....	D8/80
D465,707 S	*	11/2002	Chen	.....	D8/28
D495,935 S	*	9/2004	Wang	.....	D8/27

D504,057 S	*	4/2005	Tuanmu	.....	D8/25
6,928,903 B1	*	8/2005	Liao	.....	81/58.3
D511,082 S	*	11/2005	Chen	.....	D8/80
D524,617 S	*	7/2006	Schiller et al.	.....	D8/61
D526,184 S	*	8/2006	Yu et al.	.....	D8/107
D526,865 S	*	8/2006	Liao	.....	D8/25
D531,878 S	*	11/2006	Tsai	.....	D8/107
2005/0194488 A1	*	9/2005	Radle et al.	.....	242/395

**OTHER PUBLICATIONS**

Sears company website, "Craftsman 3/8 in. Drive Ratchet, Offset Flex," printed Jan. 3, 2006. [http://www.sears.com/sr/javasr/product.do?BV\\_UseBVCookie=Yes&vertical=TOOL&pid=00944835000&subcat=Ratchets](http://www.sears.com/sr/javasr/product.do?BV_UseBVCookie=Yes&vertical=TOOL&pid=00944835000&subcat=Ratchets).

Sears company website, "Craftsman 3/8 in. Drive Ratchet, Ergo Flex," printed Jan. 3, 2006. [http://www.sears.com/sr/javasr/product.do?BV\\_UseBVCookie=Yes&vertical=TOOL&pid=00944836000&subcat=Ratchets](http://www.sears.com/sr/javasr/product.do?BV_UseBVCookie=Yes&vertical=TOOL&pid=00944836000&subcat=Ratchets).

\* cited by examiner

*Primary Examiner*—Alan P. Douglas

*Assistant Examiner*—Barbara Fox

(74) *Attorney, Agent, or Firm*—Quarles & Brady LLP

(57) **CLAIM**

The ornamental design for a tool portion, as shown and described.

**DESCRIPTION**

In a preferred embodiment, the nature of this product is a tool for rotating a ratchet winder of a fish tape assembly.

FIG. 1 is a right, top, front perspective view of a tool portion according to our new design;

FIG. 2 is a right side elevational view thereof;

FIG. 3 is a front elevational view thereof, the rear elevational view thereof being a mirror image of the front side shown;

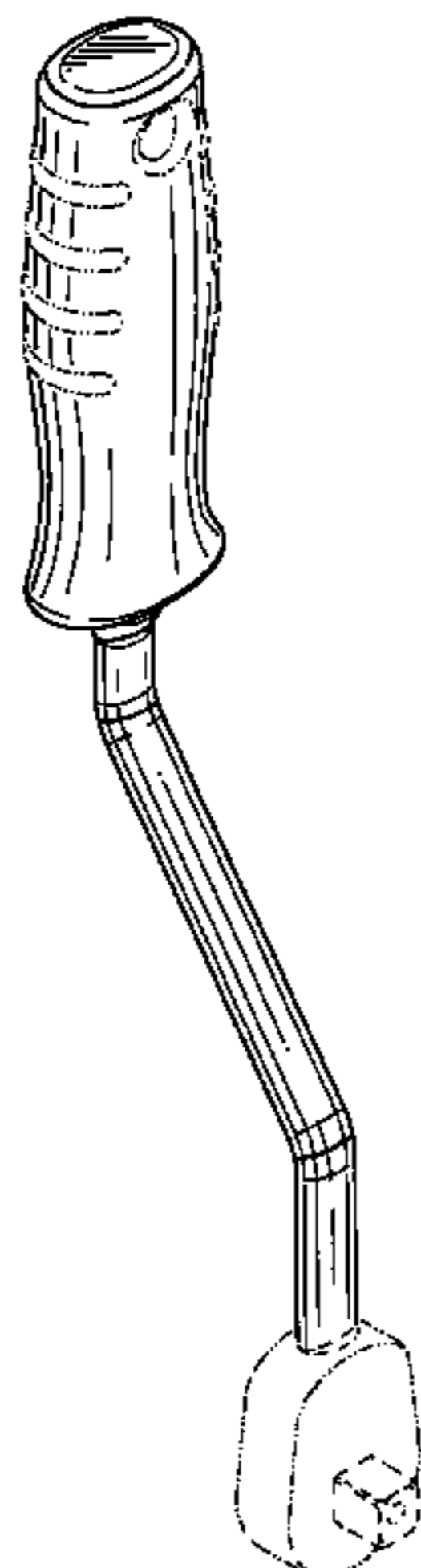
FIG. 4 is a left side elevational view thereof;

FIG. 5 is a top plan view thereof; and,

FIG. 6 is a bottom plan view thereof.

The broken line showing of the tool portion is included for the purpose of illustrating portions of the article and forms no part of the claimed design.

**1 Claim, 3 Drawing Sheets**



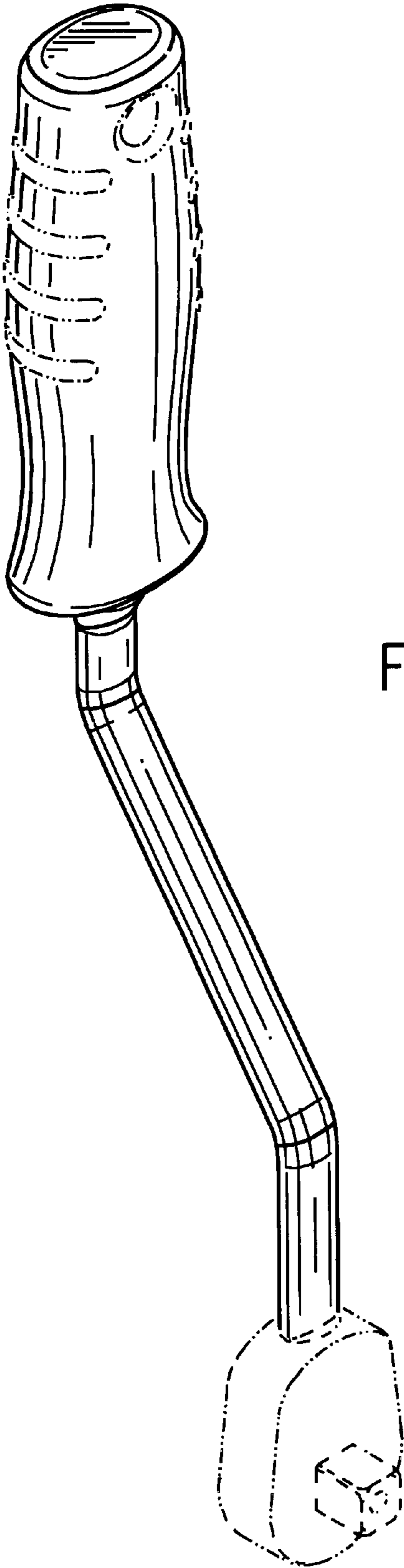


FIG. 1

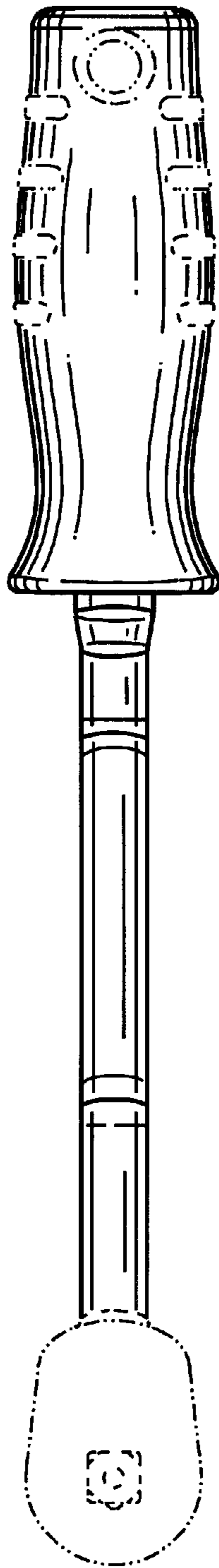


FIG. 2

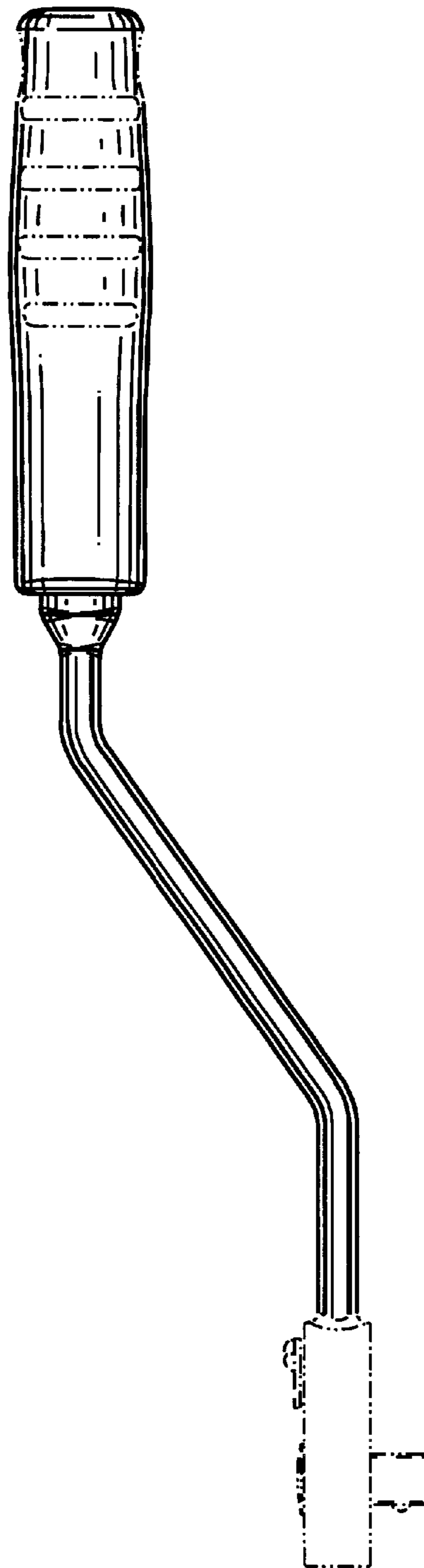


FIG. 3

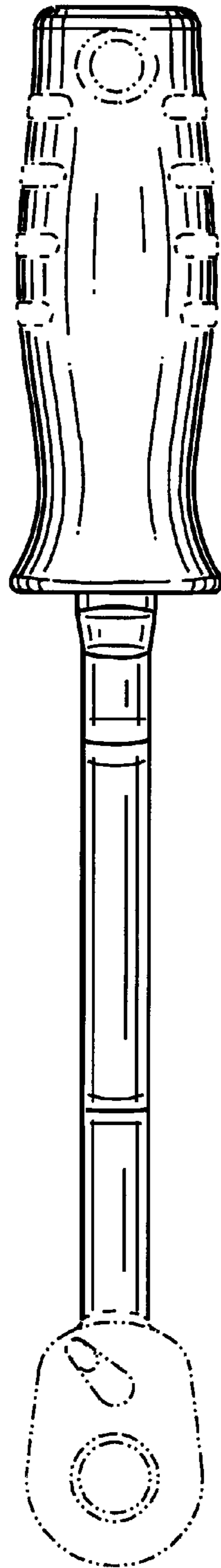


FIG. 4

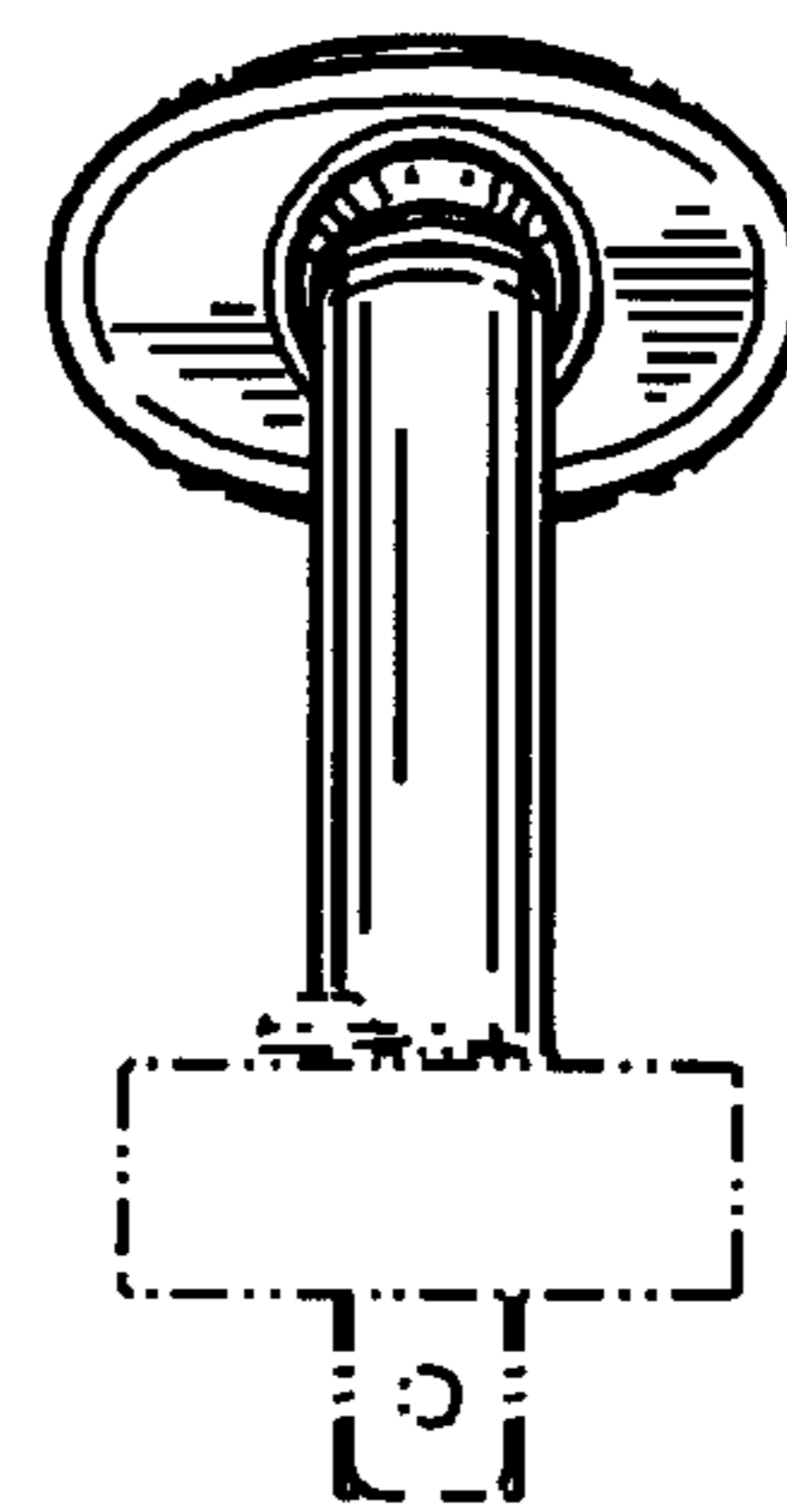
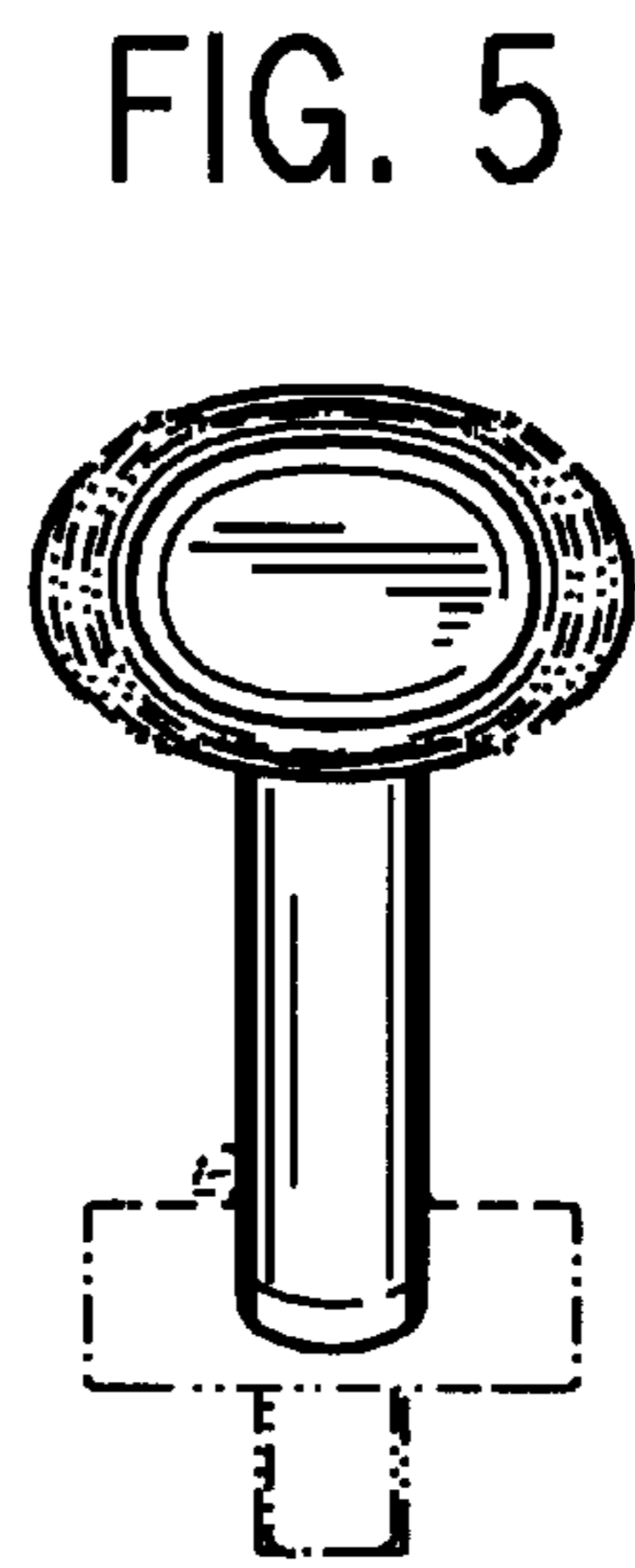


FIG. 6