



US00D542111S

(12) **United States Design Patent** (10) **Patent No.:** **US D542,111 S**  
**Te** (45) **Date of Patent:** **\*\* May 8, 2007**

(54) **FOLDABLE TOOL KIT**

(76) Inventor: **Wu Shu Te**, No. 6, Lane 176, Wu Fu Road, Wu Feng Hsiang, Taichung Hsien (TW)

(\*\*) Term: **14 Years**

(21) Appl. No.: **29/261,103**

(22) Filed: **Jun. 8, 2006**

(30) **Foreign Application Priority Data**

Mar. 8, 2006 (TW) ..... 95203866

(51) **LOC (8) Cl.** ..... **08-05**

(52) **U.S. Cl.** ..... **D8/105**

(58) **Field of Classification Search** ..... D8/99,  
D8/98, 357, 356, 105, 22; 81/417, 426, 440,  
81/177.4; 7/138, 139, 165, 158, 100, 118;  
362/109; 206/375

See application file for complete search history.

(56) **References Cited**

**U.S. PATENT DOCUMENTS**

D168,900 S \* 2/1953 Lutsker ..... D8/22  
4,854,045 A \* 8/1989 Schaub ..... 30/155  
D332,384 S \* 1/1993 Dague ..... D8/105  
5,450,774 A \* 9/1995 Chang ..... 81/440  
D364,327 S \* 11/1995 Graham ..... D8/105  
D382,190 S \* 8/1997 Blackston et al. .... D8/107  
5,711,042 A \* 1/1998 Chuang ..... 7/138  
5,711,194 A \* 1/1998 Anderson et al. .... 81/440  
5,791,211 A \* 8/1998 Bondhus et al. .... 81/440

D427,875 S \* 7/2000 Chiu ..... D8/105  
6,085,374 A \* 7/2000 Richey ..... 7/118  
6,092,444 A \* 7/2000 Hsiao ..... 81/440  
D429,616 S \* 8/2000 Rivera ..... D8/105  
6,128,805 A \* 10/2000 Rivera ..... 16/111.1  
6,128,981 A \* 10/2000 Bondhus et al. .... 81/440  
D437,541 S \* 2/2001 Hermansen et al. .... D8/105  
D470,738 S \* 2/2003 Kao ..... D8/105  
6,601,481 B2 \* 8/2003 Chuang ..... 81/440  
6,751,819 B2 \* 6/2004 Chuang ..... 7/100  
6,880,435 B2 \* 4/2005 Hawkins ..... 81/440  
2002/0073490 A1 \* 6/2002 Wu ..... 7/138

\* cited by examiner

*Primary Examiner*—Cathron C. Brooks

*Assistant Examiner*—Austin Murphy

(74) *Attorney, Agent, or Firm*—Troxell Law Office, PLLC

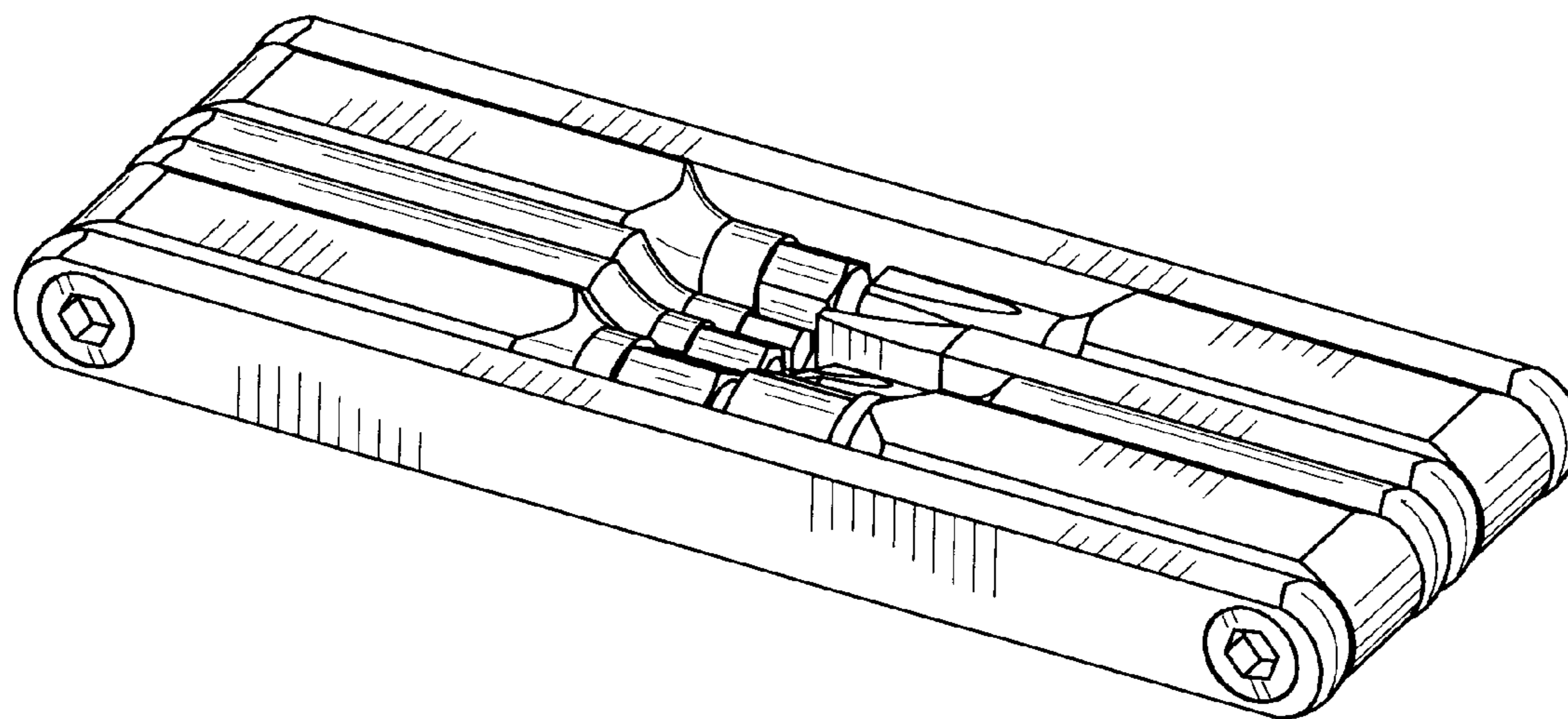
(57) **CLAIM**

I claim the ornamental design for a foldable tool kit, as shown and described.

**DESCRIPTION**

FIG. 1 is a perspective view of a foldable tool kit;  
FIG. 2 is a front view thereof;  
FIG. 3 is a rear view thereof;  
FIG. 4 is a left side view thereof;  
FIG. 5 is a right side view thereof;  
FIG. 6 is a top view thereof;  
FIG. 7 is a bottom view thereof; and,  
FIG. 8 is a perspective view thereof, showing the foldable tool kit in a position of use.

**1 Claim, 5 Drawing Sheets**



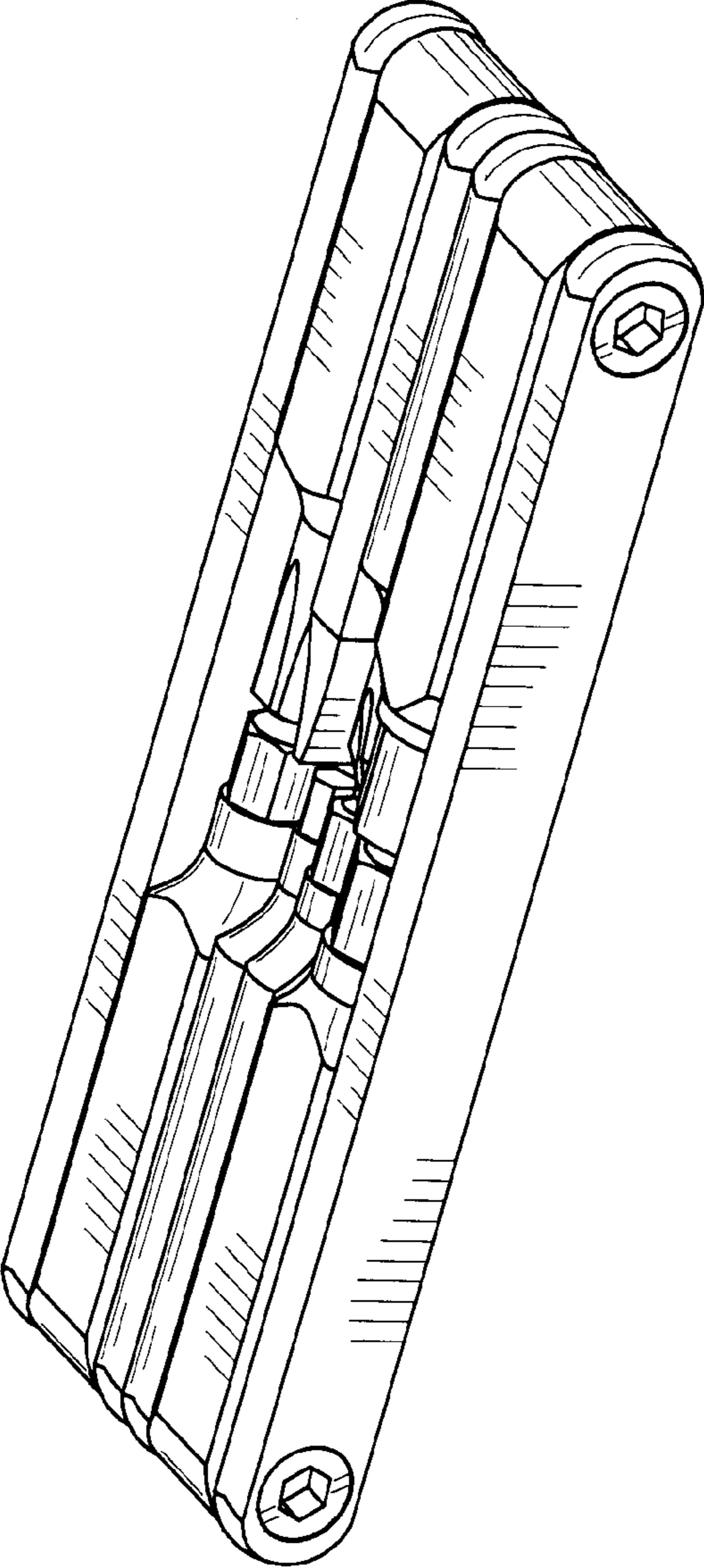


Fig. 1

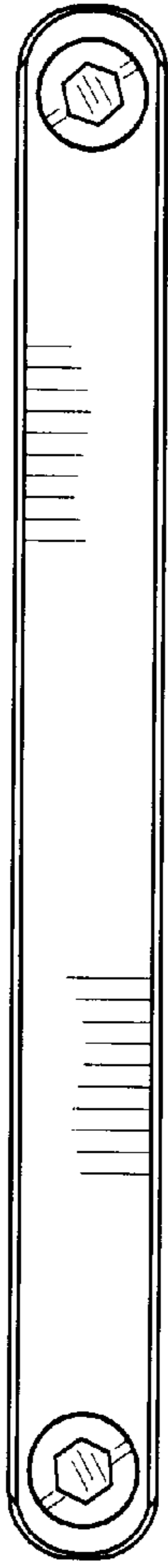


Fig. 2

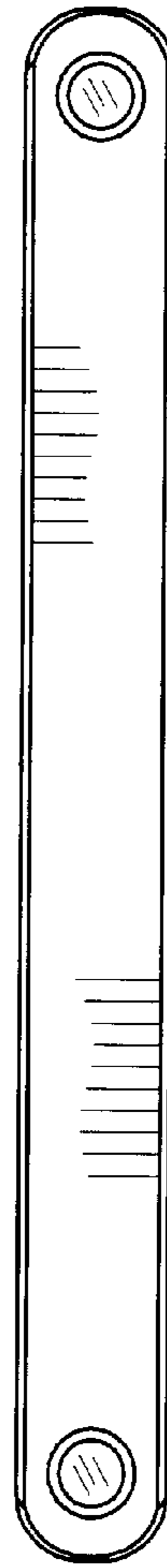


Fig. 3

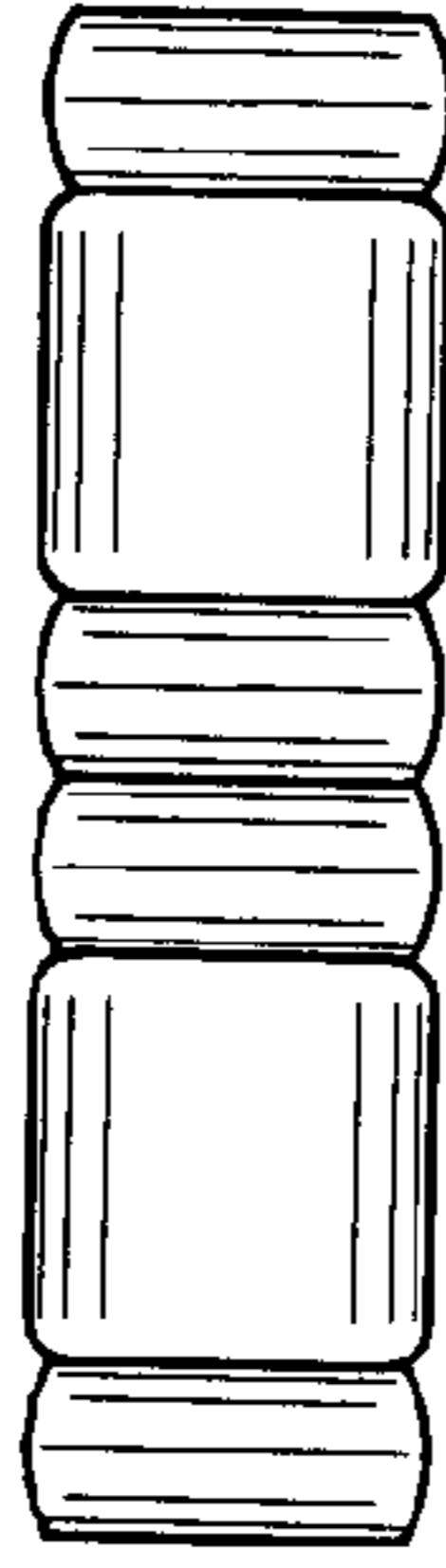


Fig. 5

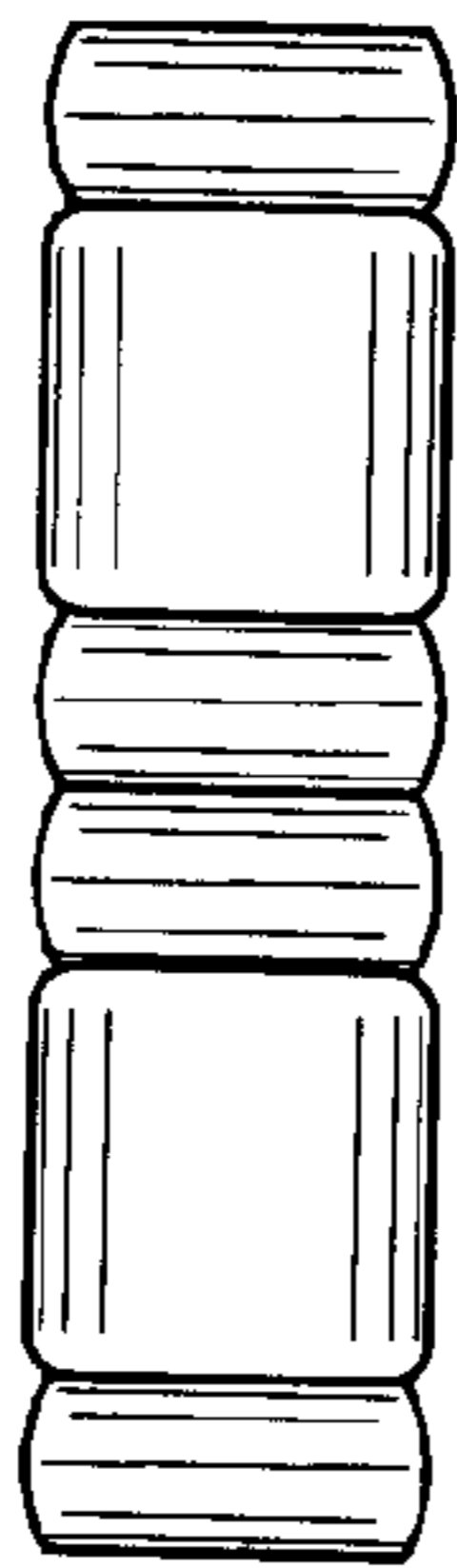


Fig. 4

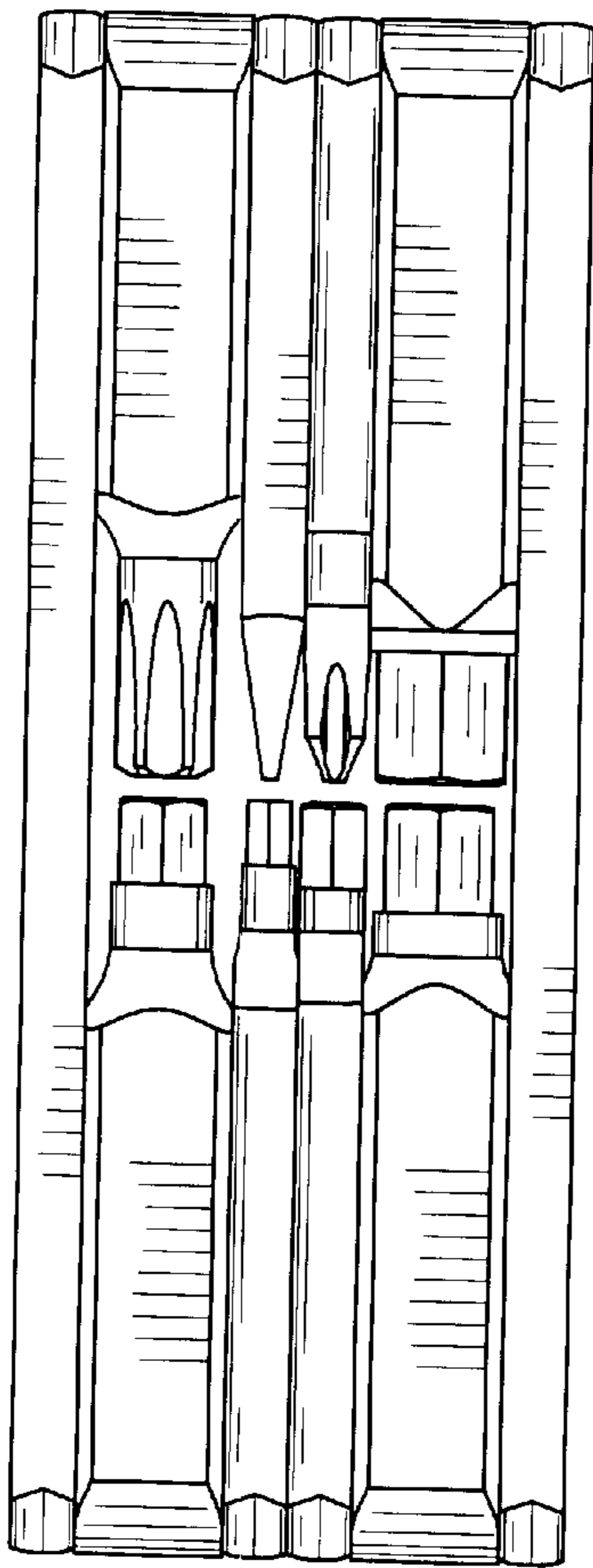


Fig. 6

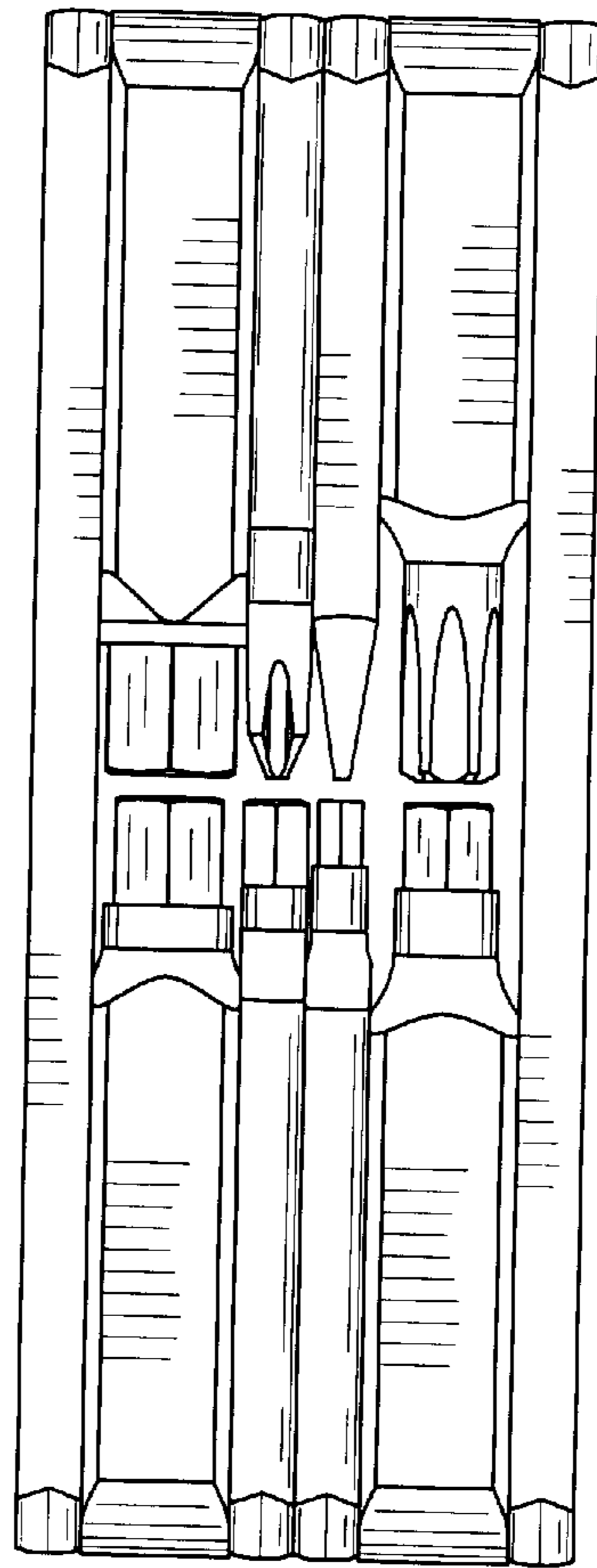


Fig. 7

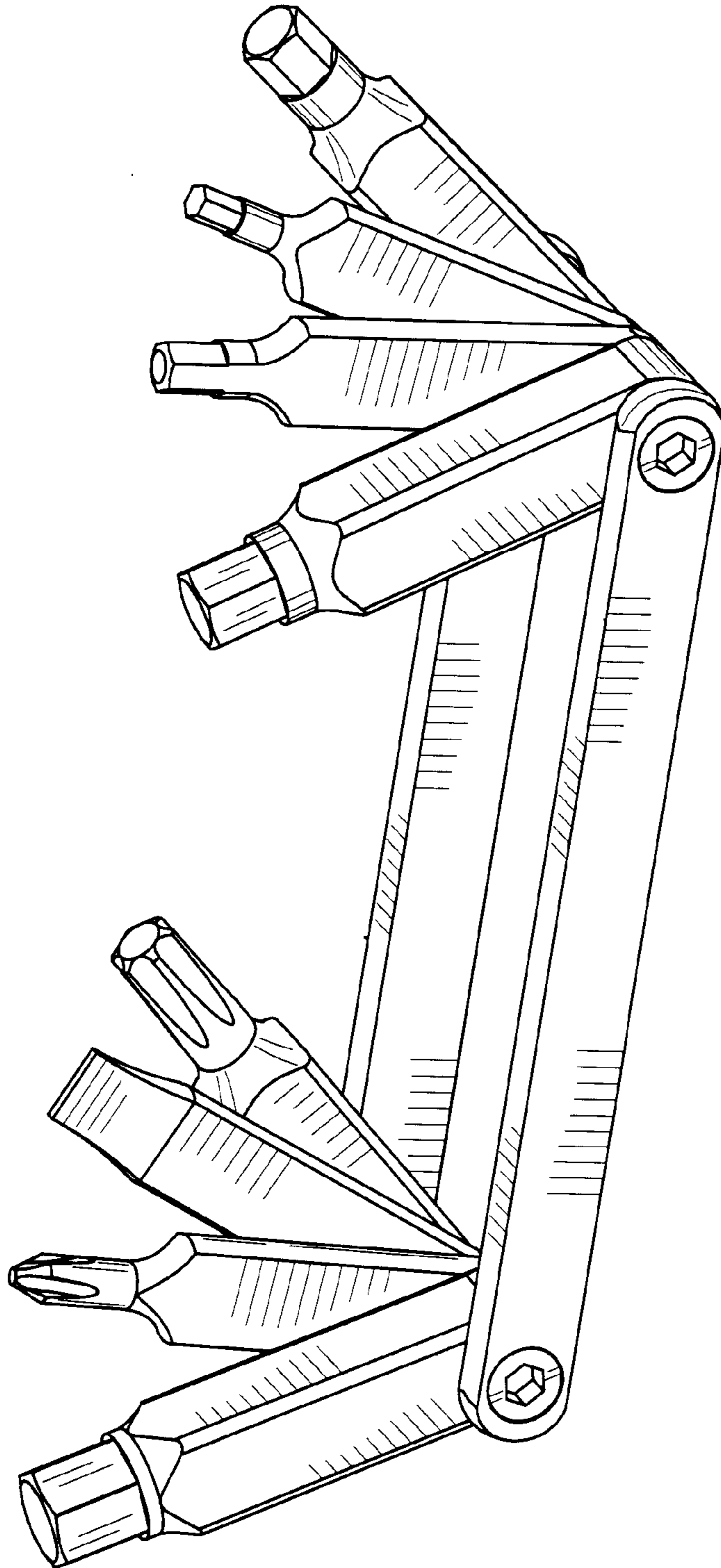


Fig. 8