

US00D542110S

(12) **United States Design Patent**  
**Mochizuki**

(10) **Patent No.:** **US D542,110 S**

(45) **Date of Patent:** **\*\* May 8, 2007**

(54) **HOLDER FOR SOLDERING IRONS**

(75) Inventor: **Toshikazu Mochizuki**, Osaka (JP)

(73) Assignee: **Hakko Corporation**, Osaka-shi, Osaka (JP)

(\*\*) Term: **14 Years**

(21) Appl. No.: **29/266,447**

(22) Filed: **Sep. 20, 2006**

(30) **Foreign Application Priority Data**

Jul. 18, 2006 (JP) ..... D2006-018852

(51) **LOC (8) Cl.** ..... **08-05**

(52) **U.S. Cl.** ..... **D8/71; D15/144**

(58) **Field of Classification Search** ..... D8/71;  
D15/144, 144.1, 144.2; 219/125.1, 130.5,  
219/132, 227, 240, 242; 228/20.5, 40, 46,  
228/51

See application file for complete search history.

(56) **References Cited**

**U.S. PATENT DOCUMENTS**

1,789,475 A \* 1/1931 Powell ..... 219/242  
2,475,941 A \* 7/1949 Brothers ..... 219/242  
D205,945 S \* 10/1966 Brassaw ..... D8/71  
3,294,348 A 12/1966 Cerisano

D223,101 S \* 3/1972 Sylvester ..... D8/71  
D223,482 S \* 4/1972 Mehl ..... D8/71  
D239,916 S \* 5/1976 Fortune ..... D8/71  
4,394,785 A \* 7/1983 Vogler ..... 15/77  
D533,042 S \* 12/2006 Loch et al. .... D8/71  
2006/0135004 A1 \* 6/2006 Wong ..... 439/894

**OTHER PUBLICATIONS**

Hakko Corporation—website pages (2 pages).

\* cited by examiner

*Primary Examiner*—Antoine D. Davis

*Assistant Examiner*—Patricia Palasik

(74) *Attorney, Agent, or Firm*—Squire, Sanders & Dempsey

(57) **CLAIM**

The ornamental design for holders for soldering irons, as shown and described.

**DESCRIPTION**

FIG. 1 is a perspective view of holders for soldering irons; FIG. 2 is a front view thereof; FIG. 3 is a rear view thereof; FIG. 4 is a left side view thereof; FIG. 5 is a right side view thereof; FIG. 6 is a top view thereof; and, FIG. 7 is a bottom view thereof.

**1 Claim, 4 Drawing Sheets**

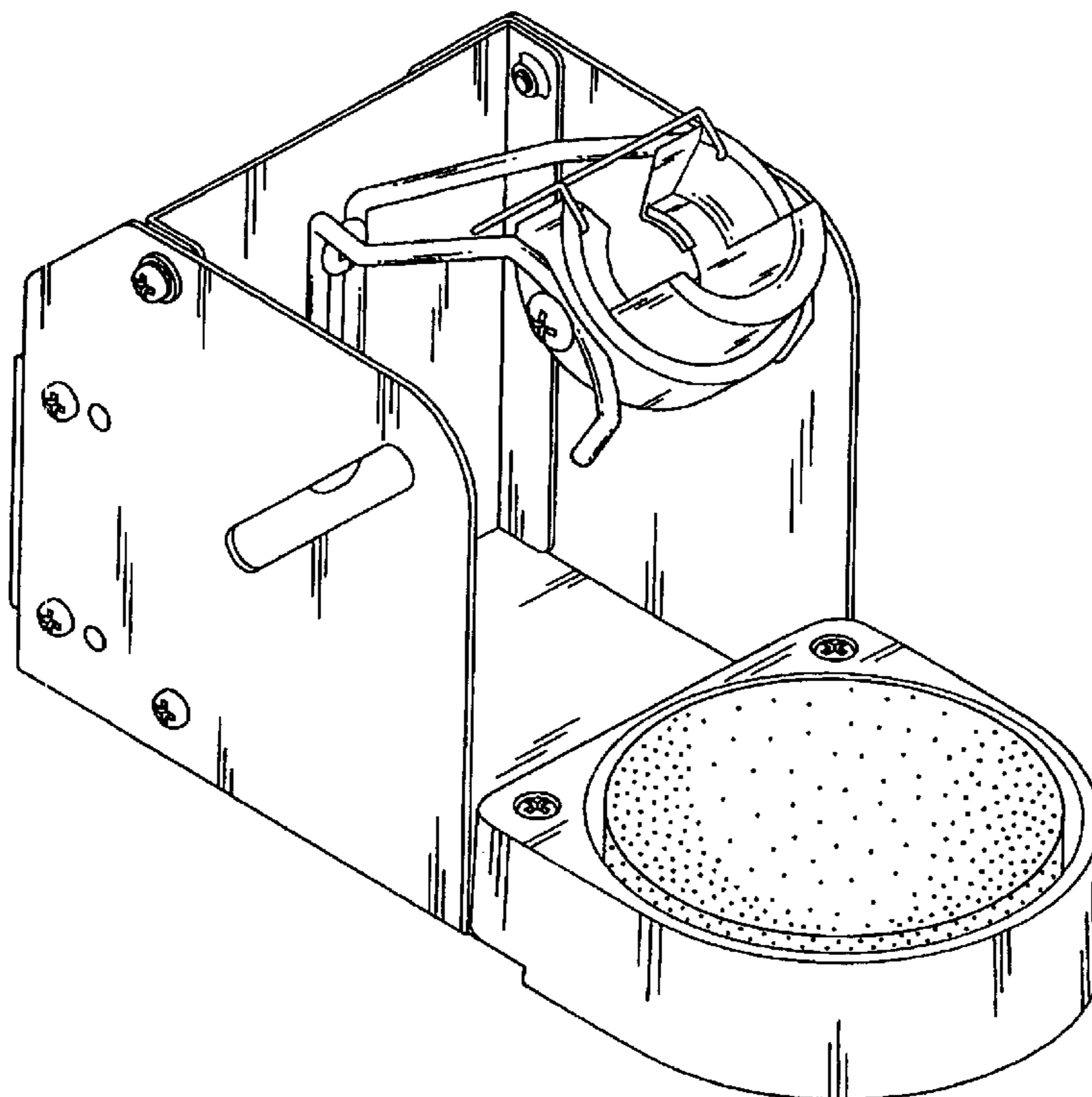


Fig.1

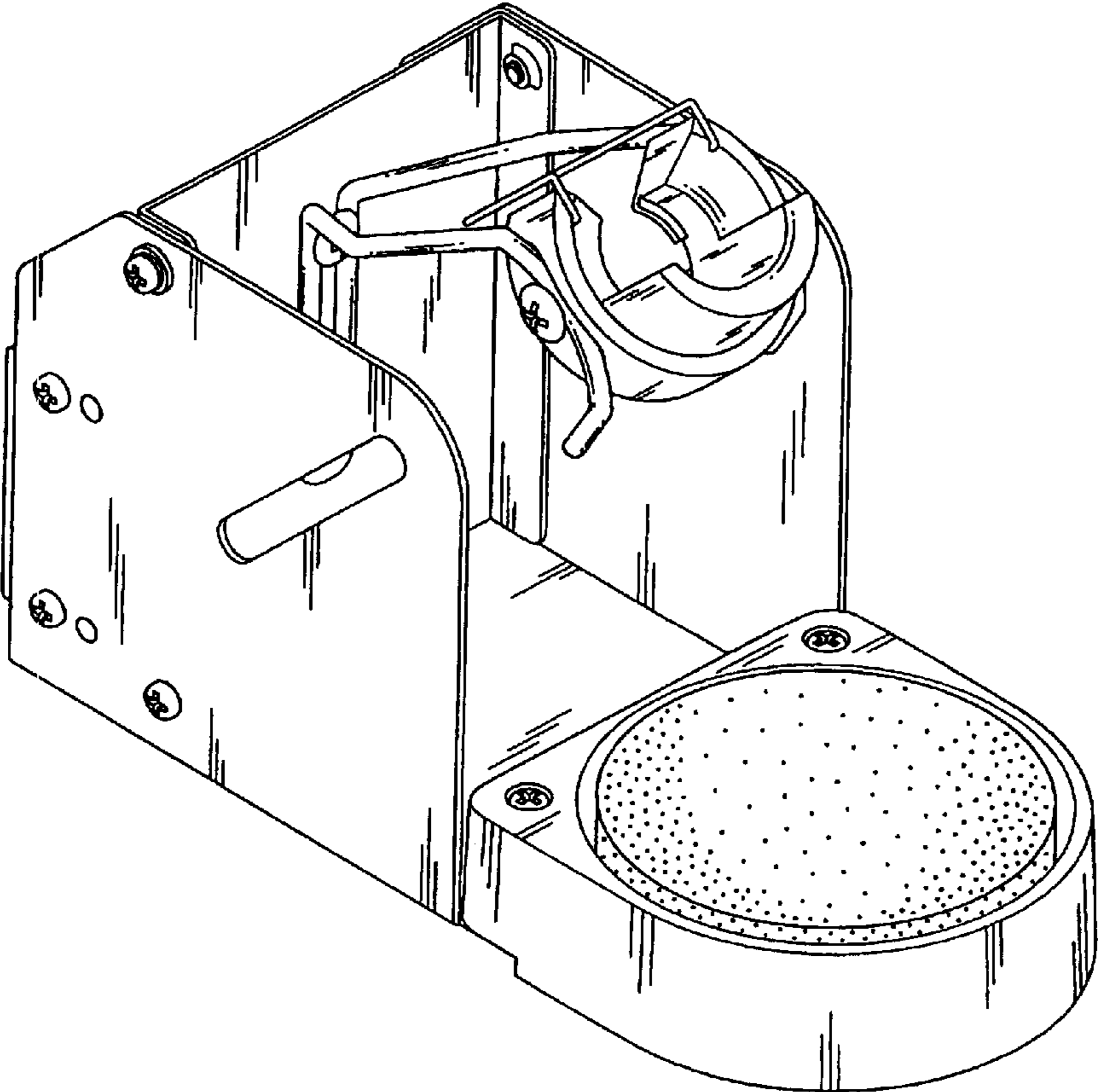


Fig.2

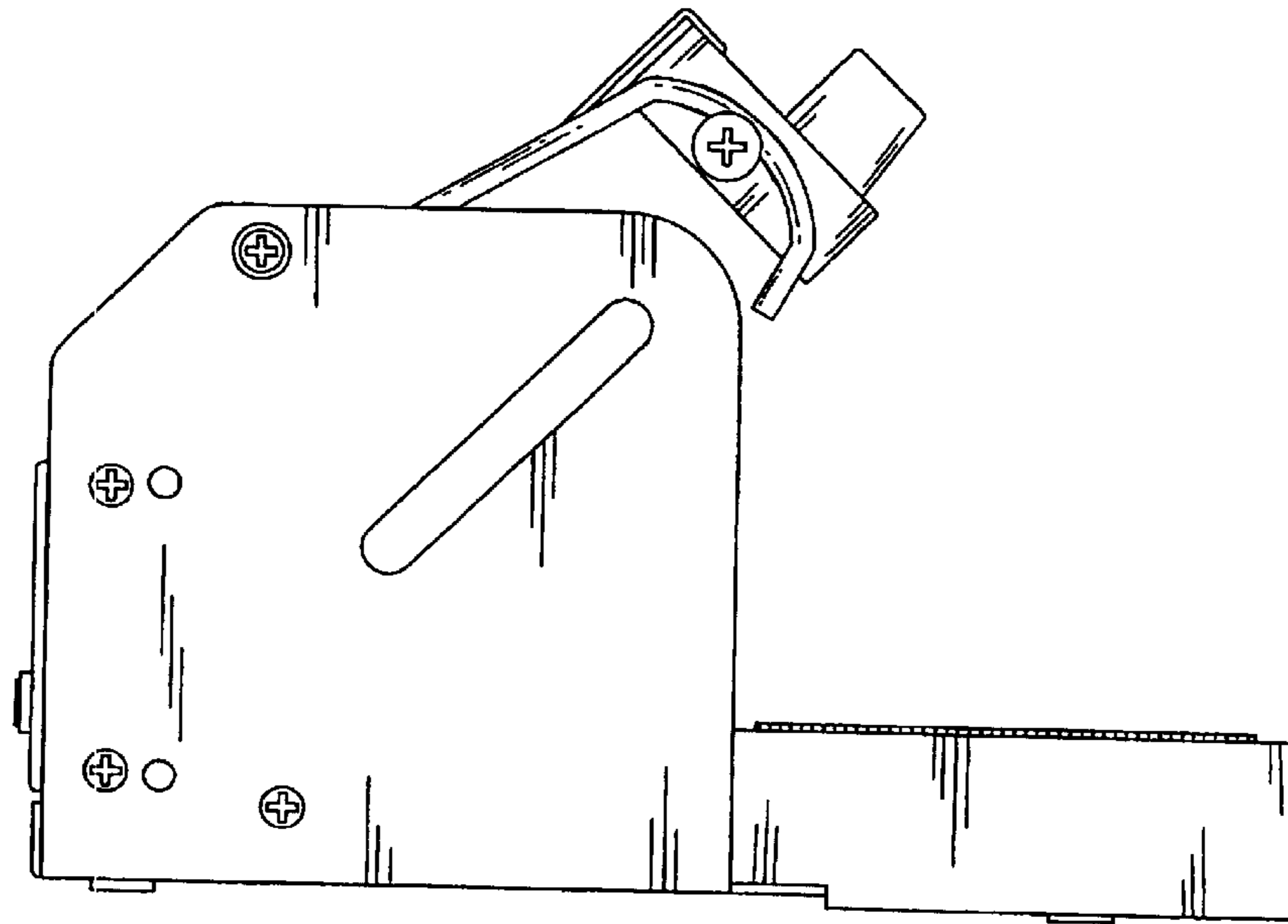


Fig.3

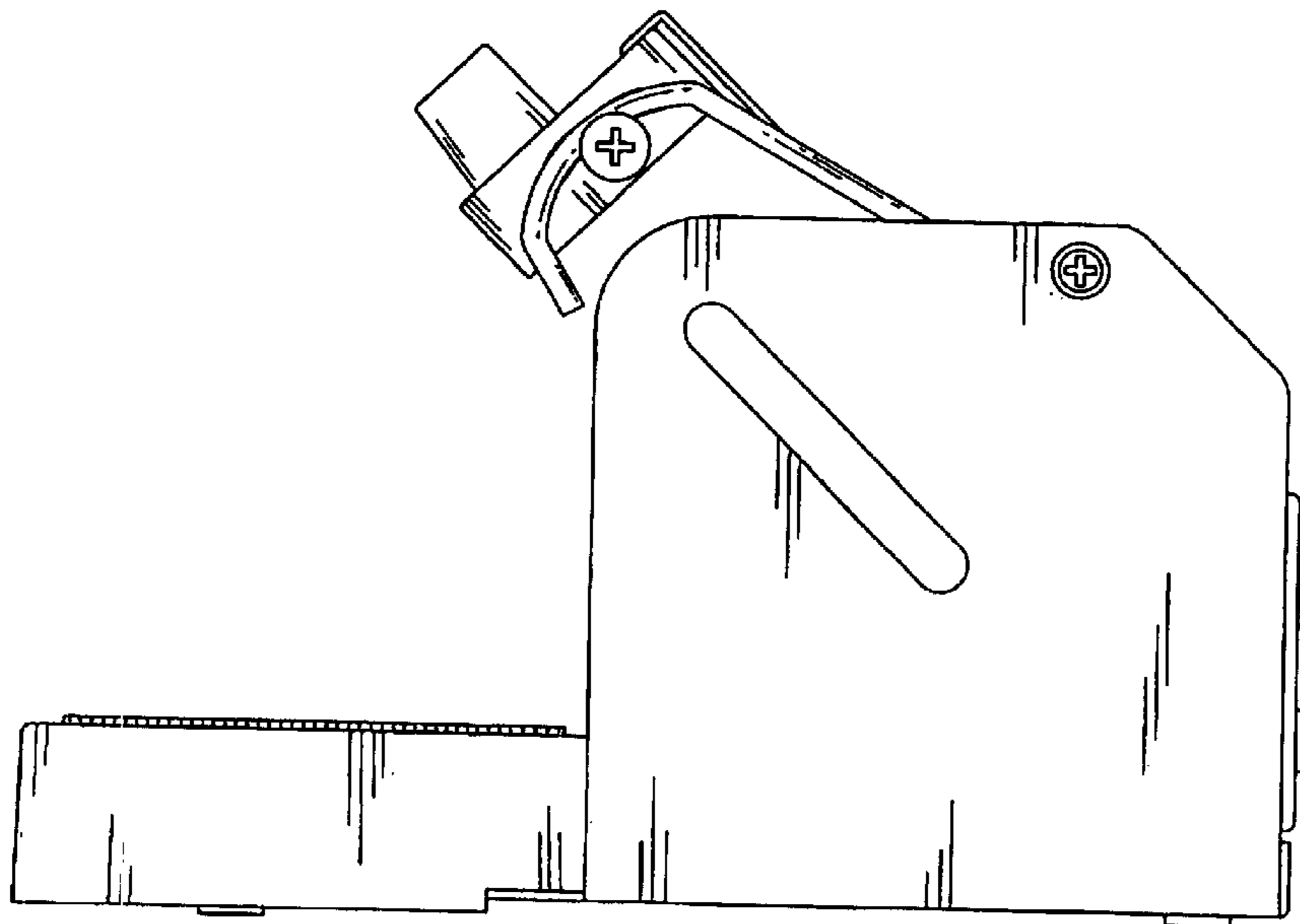


Fig.4

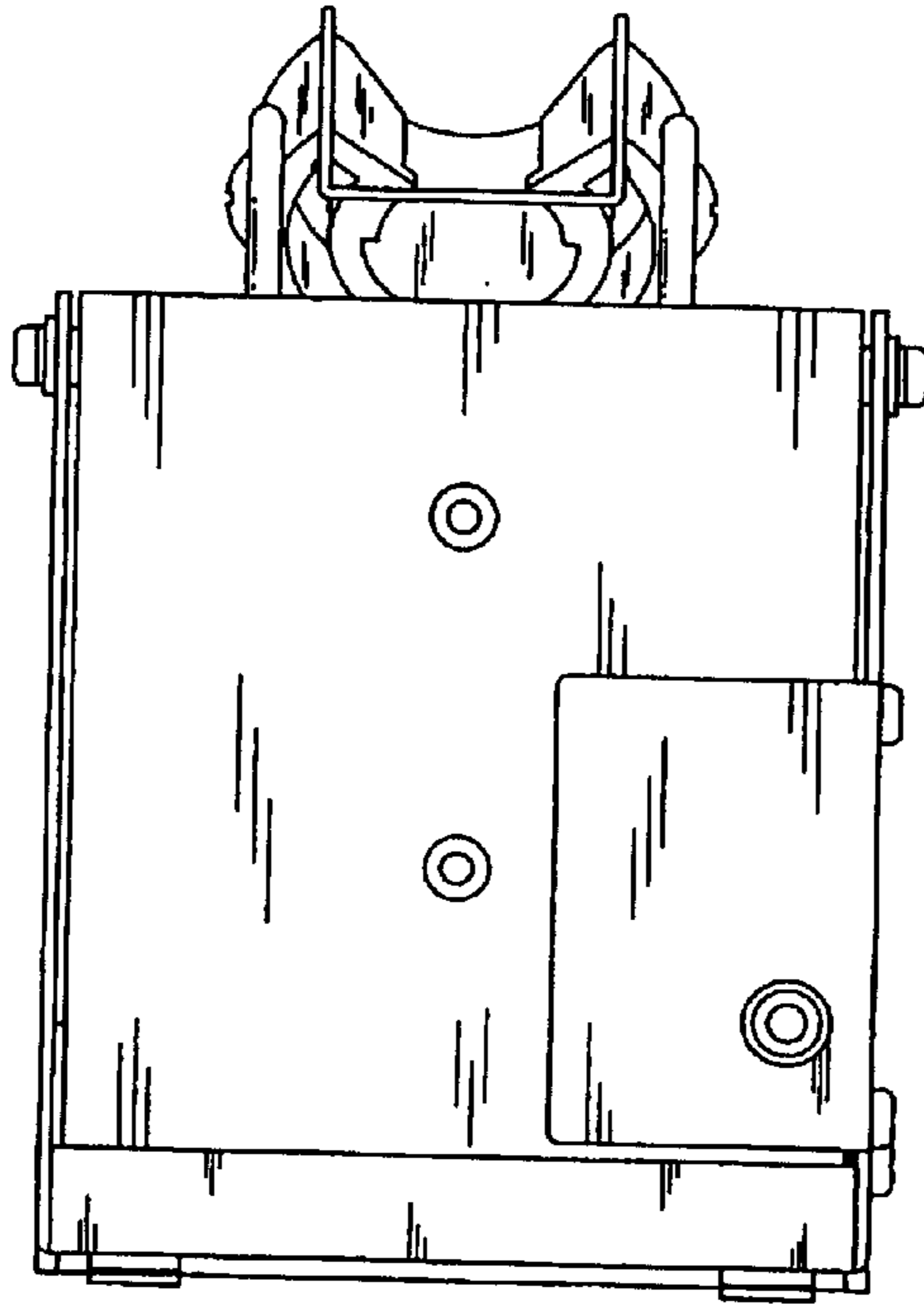


Fig.5

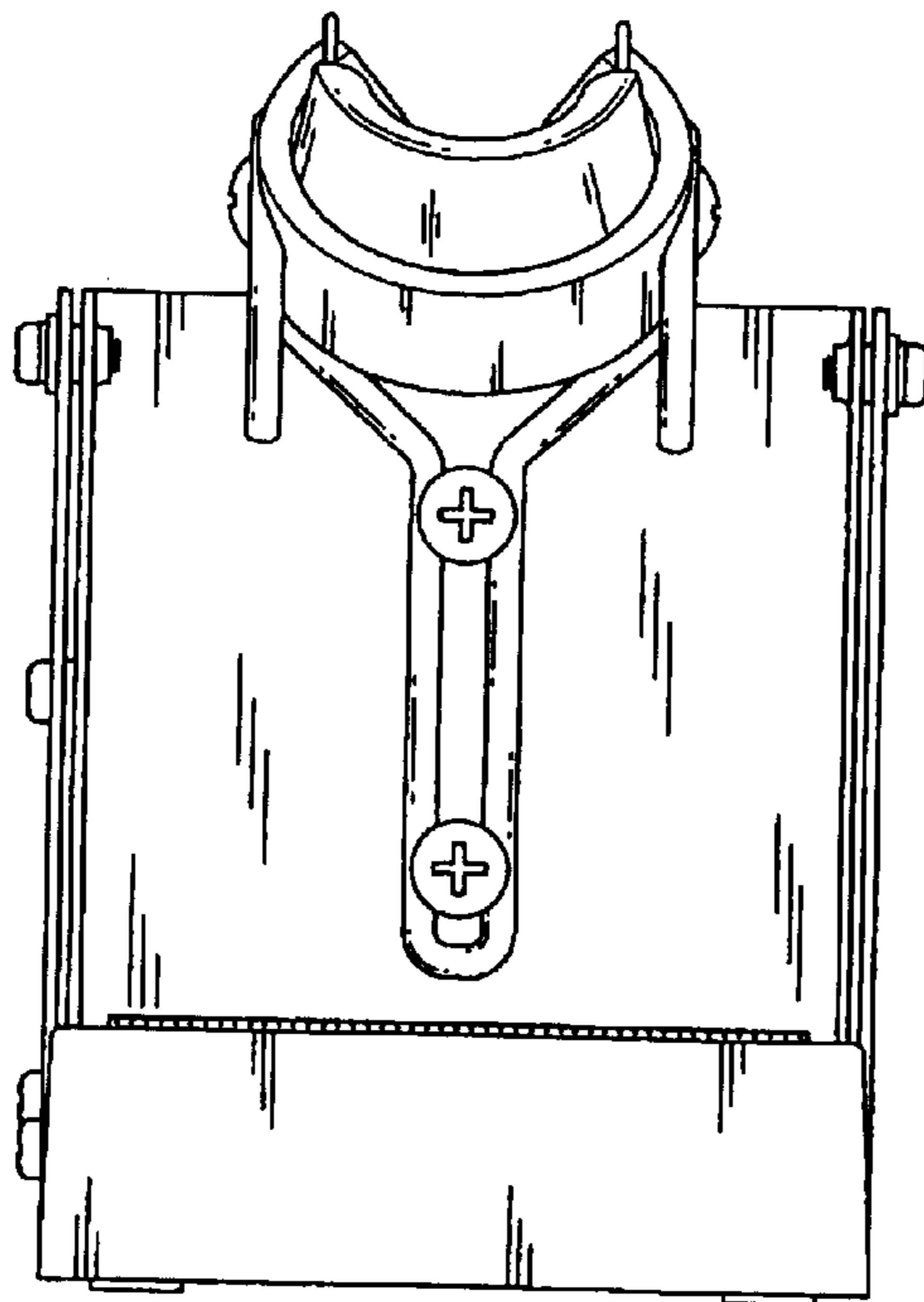


Fig.6

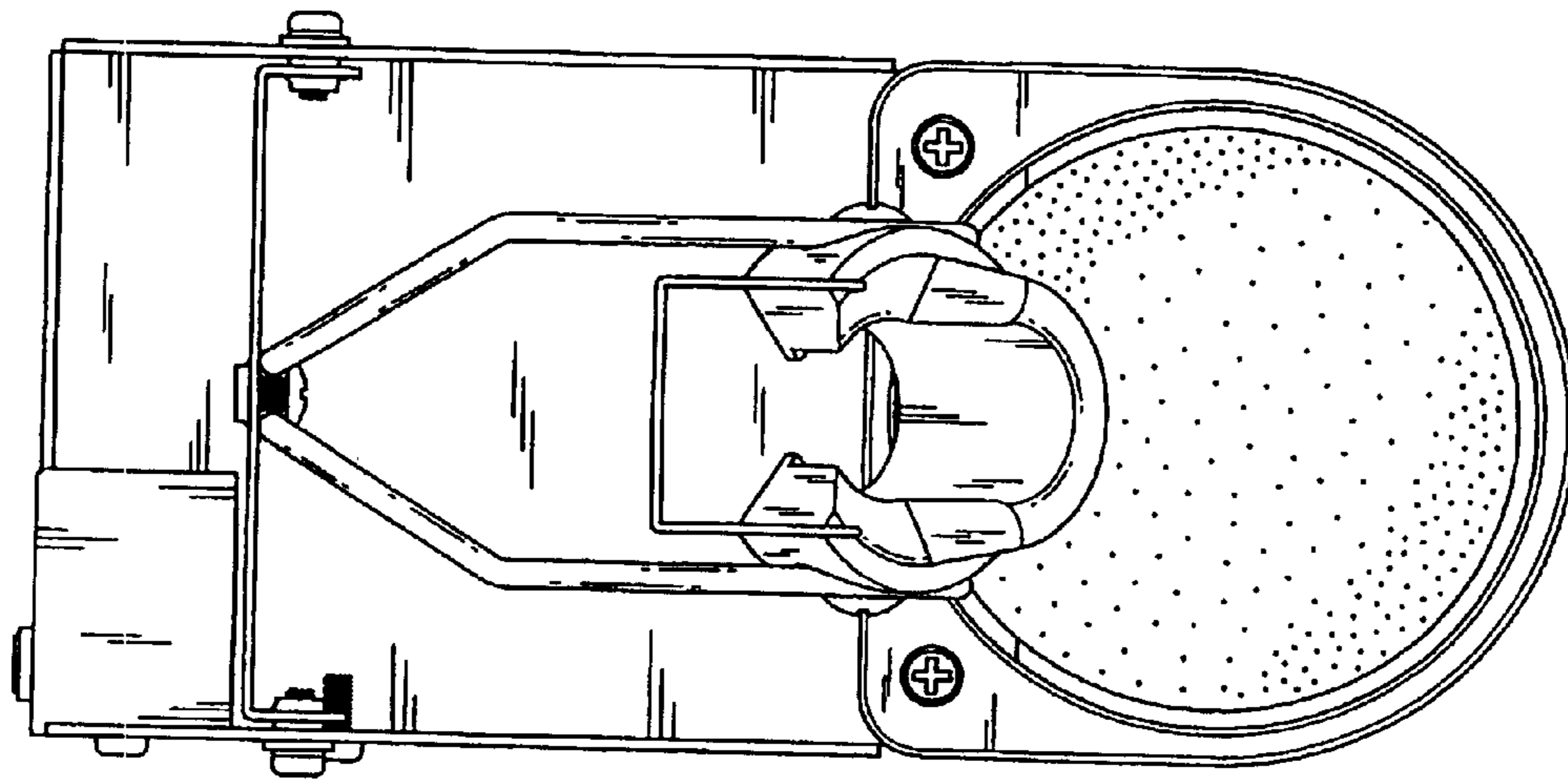


Fig.7

