



US00D542108S

(12) **United States Design Patent**
Chu

(10) **Patent No.:** **US D542,108 S**

(45) **Date of Patent:** **** May 8, 2007**

(54) **ELECTRIC CUTTER**

(75) Inventor: **Vincent Yiu Tak Chu**, Hong Kong
(CN)

(73) Assignee: **Choon Nang Electrical Appliance Mfy., Ltd.**, Aberdeen (HK)

(**) Term: **14 Years**

(21) Appl. No.: **29/230,836**

(22) Filed: **May 26, 2005**

(51) **LOC (8) Cl.** **08-03**

(52) **U.S. Cl.** **D8/61**

(58) **Field of Classification Search** D8/70,
D8/69, 68, 61, 5; D28/53, 54; 30/228, 216;
173/170; 119/610

See application file for complete search history.

(56) **References Cited**

U.S. PATENT DOCUMENTS

1,680,627	A	*	8/1928	Mings et al.	30/228
D217,705	S	*	6/1970	Glaus	D8/61
D221,128	S	*	7/1971	Current	D8/61
D222,332	S	*	10/1971	Current	D8/61
D222,660	S	*	11/1971	Miles	D8/61
D223,987	S	*	6/1972	Gamble	D8/61

D228,615	S	*	10/1973	Hall	D8/61
3,981,275	A	*	9/1976	Schimoler	119/610
4,791,726	A	*	12/1988	Ailey, Jr.	30/228
D308,809	S	*	6/1990	Kawabata	D8/61
D496,572	S	*	9/2004	Lammers et al.	D8/61
D512,796	S	*	12/2005	Dirks et al.	D28/54
D513,344	S	*	12/2005	Choi	D28/53

* cited by examiner

Primary Examiner—Cathron C. Brooks

Assistant Examiner—Austin Murphy

(74) *Attorney, Agent, or Firm*—Alix, Yale & Ristas, LLP

(57) **CLAIM**

The ornamental design for an electric cutter, as shown and described.

DESCRIPTION

FIG. 1 is a left front perspective view of an electric cutter showing my new design;

FIG. 2 is a left rear perspective view thereof;

FIG. 3 is a top plan view thereof;

FIG. 4 is a bottom plan view thereof;

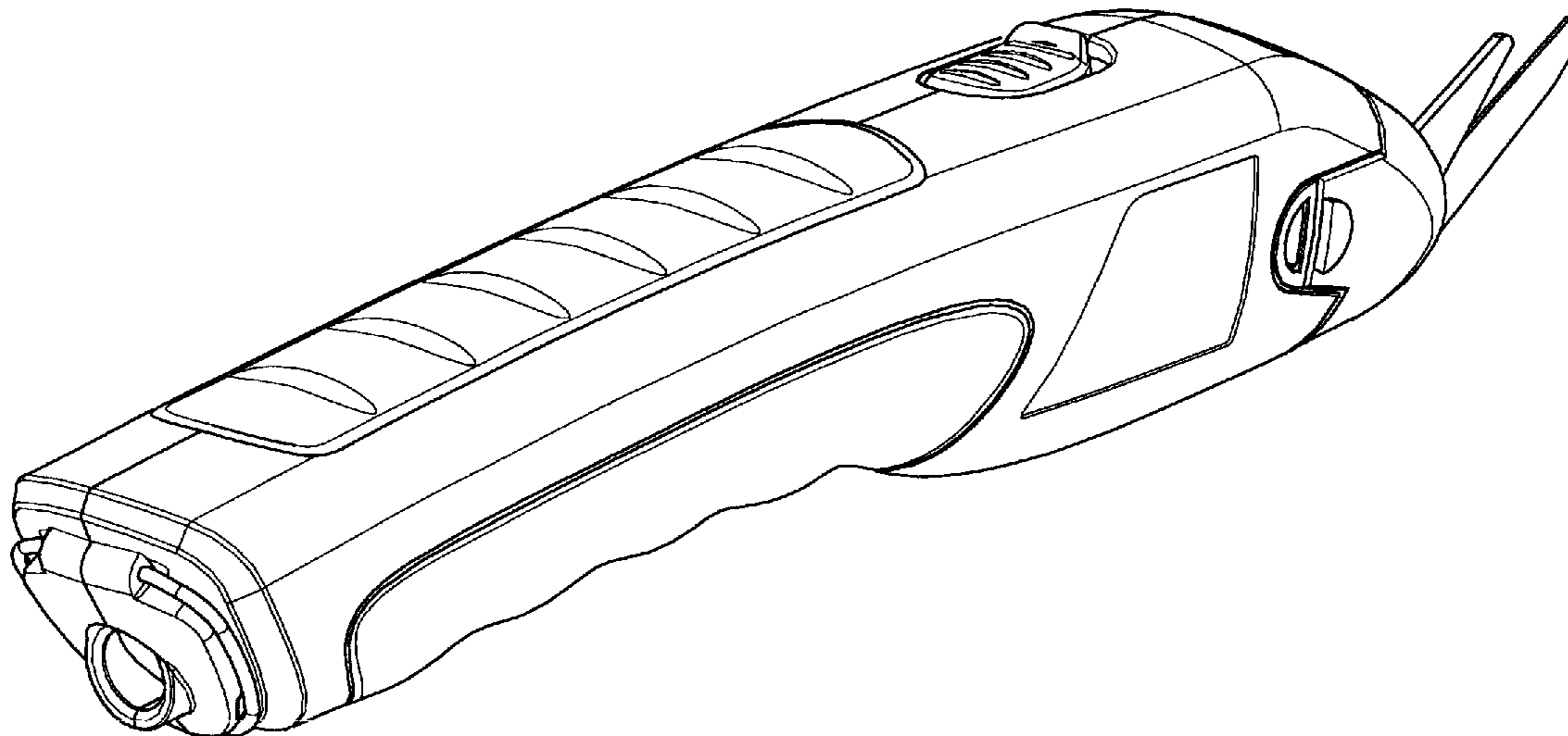
FIG. 5 is a left side elevational view thereof;

FIG. 6 is a right side elevational view thereof;

FIG. 7 is a rear end elevational view thereof; and,

FIG. 8 is a front end elevational view thereof.

1 Claim, 8 Drawing Sheets



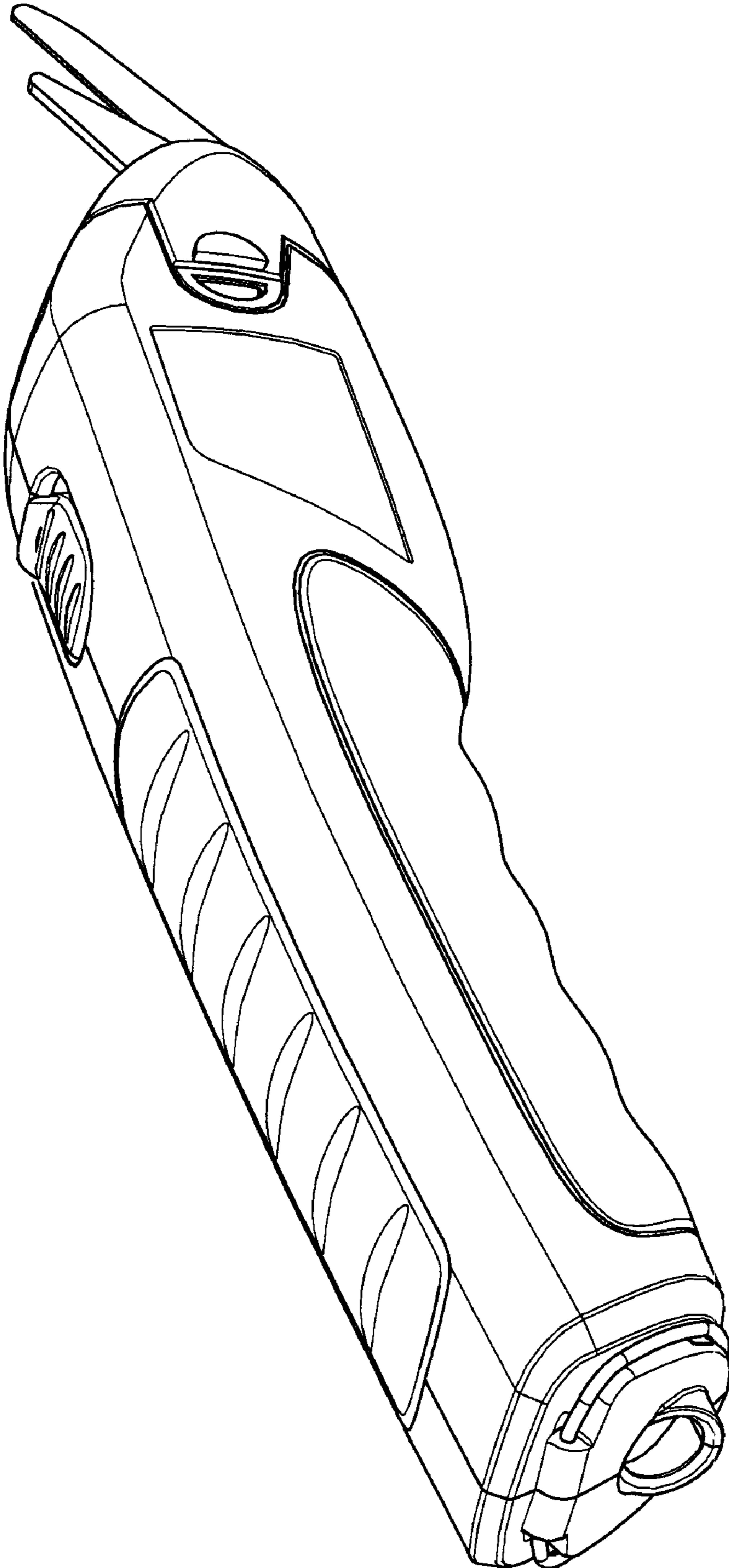


Figure 1

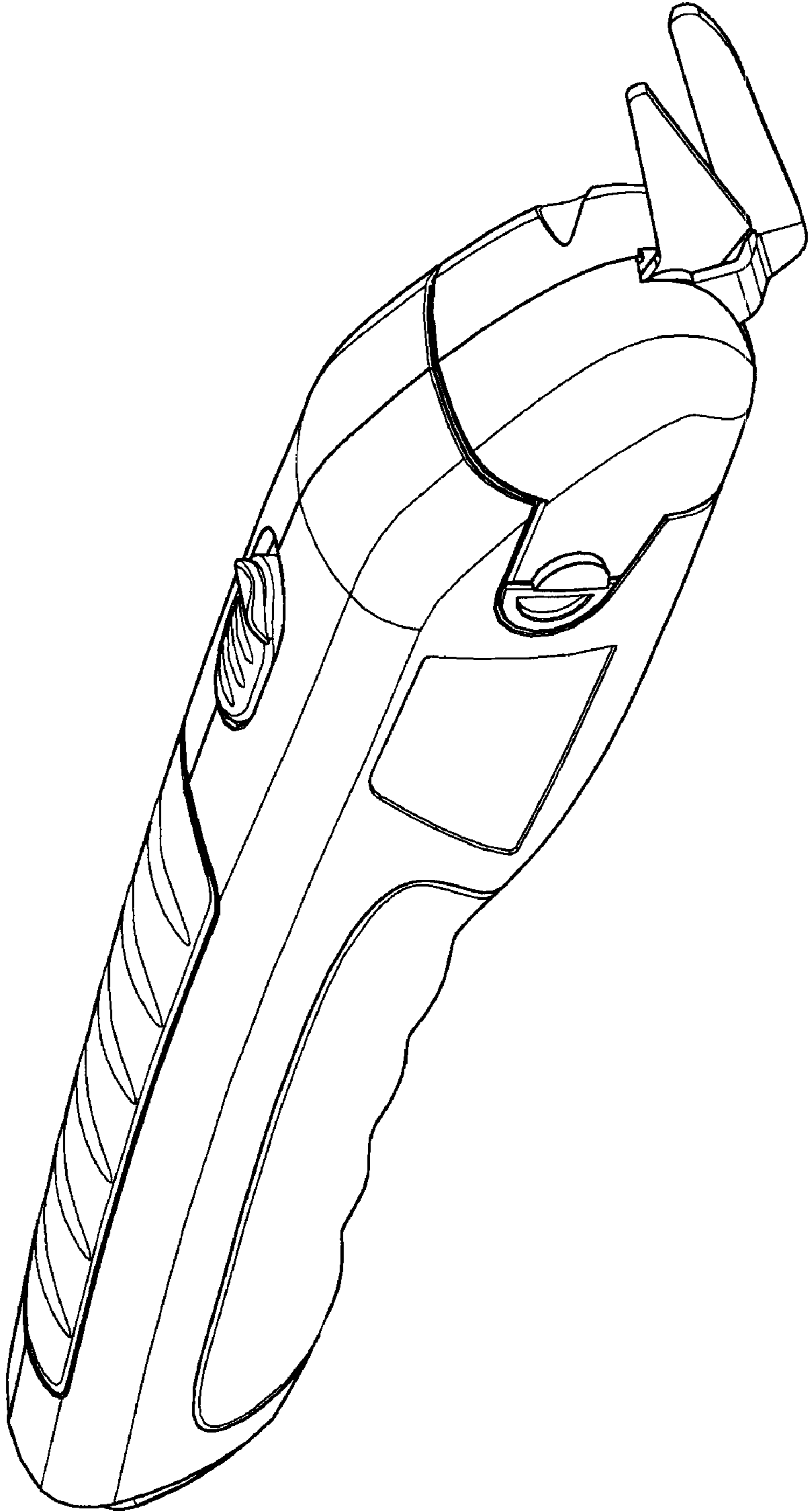


Figure 2

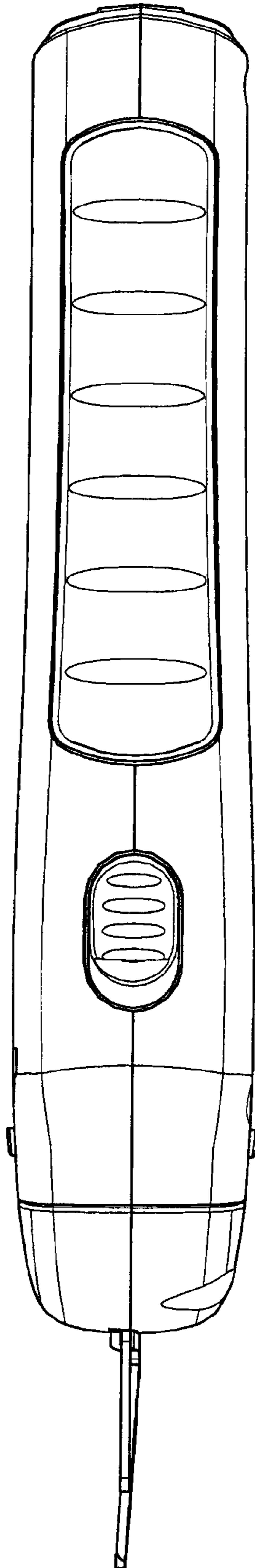


Figure 3

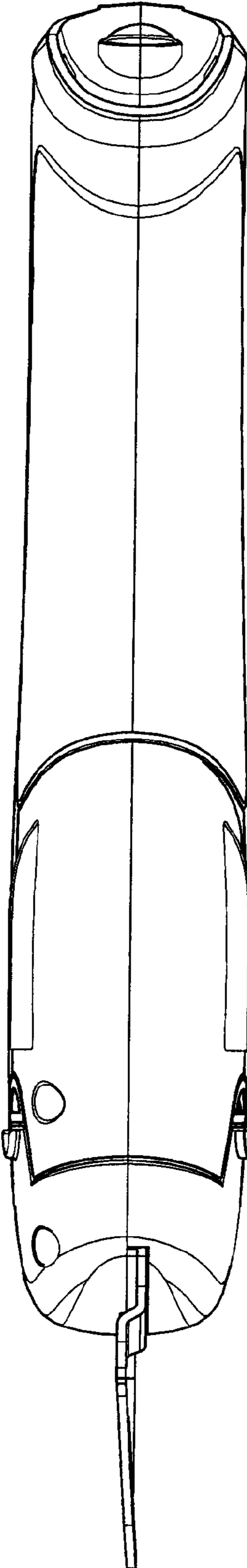


Figure 4

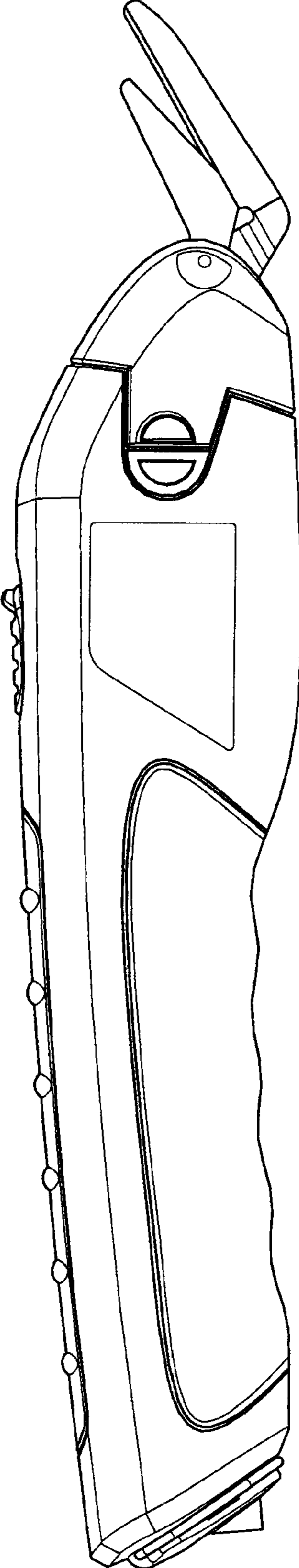


Figure 5

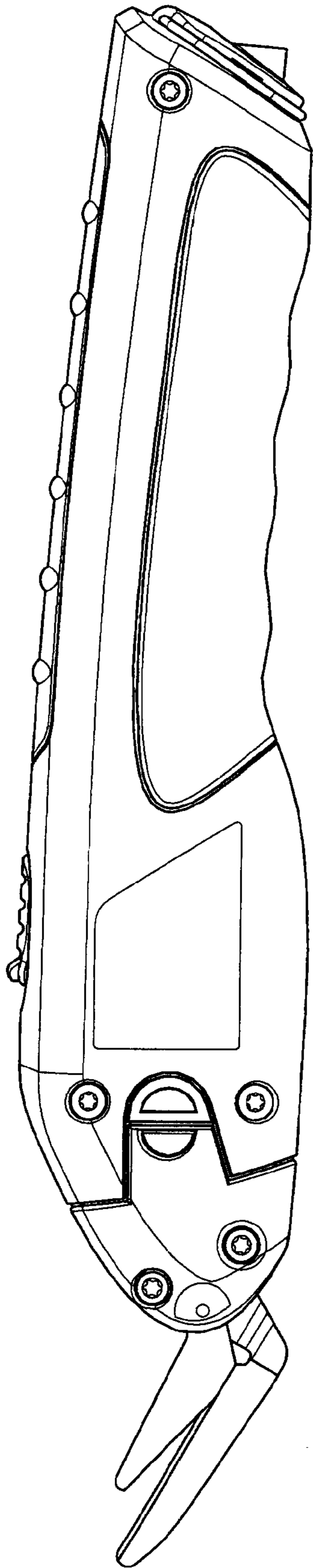


Figure 6

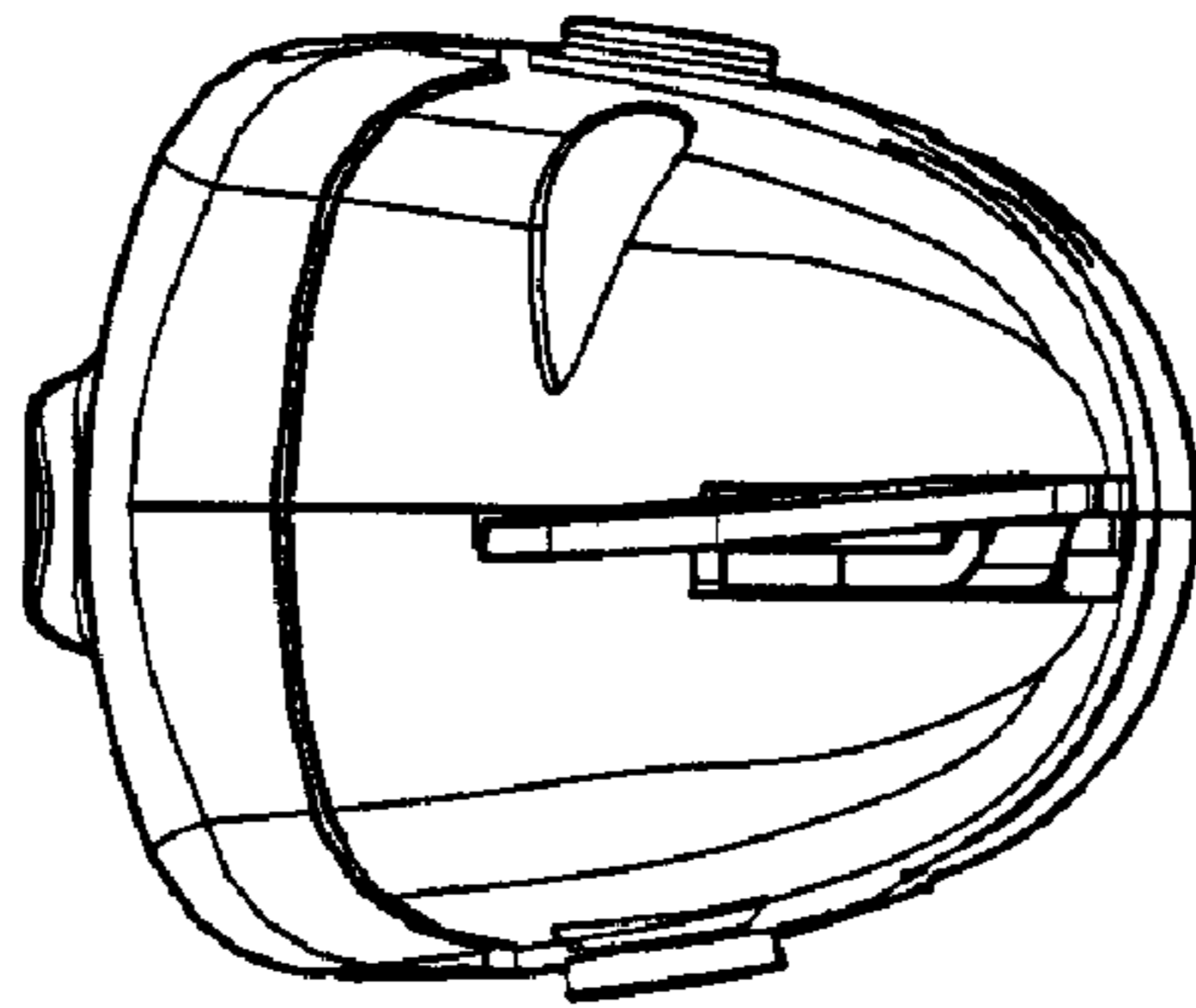


Figure 7

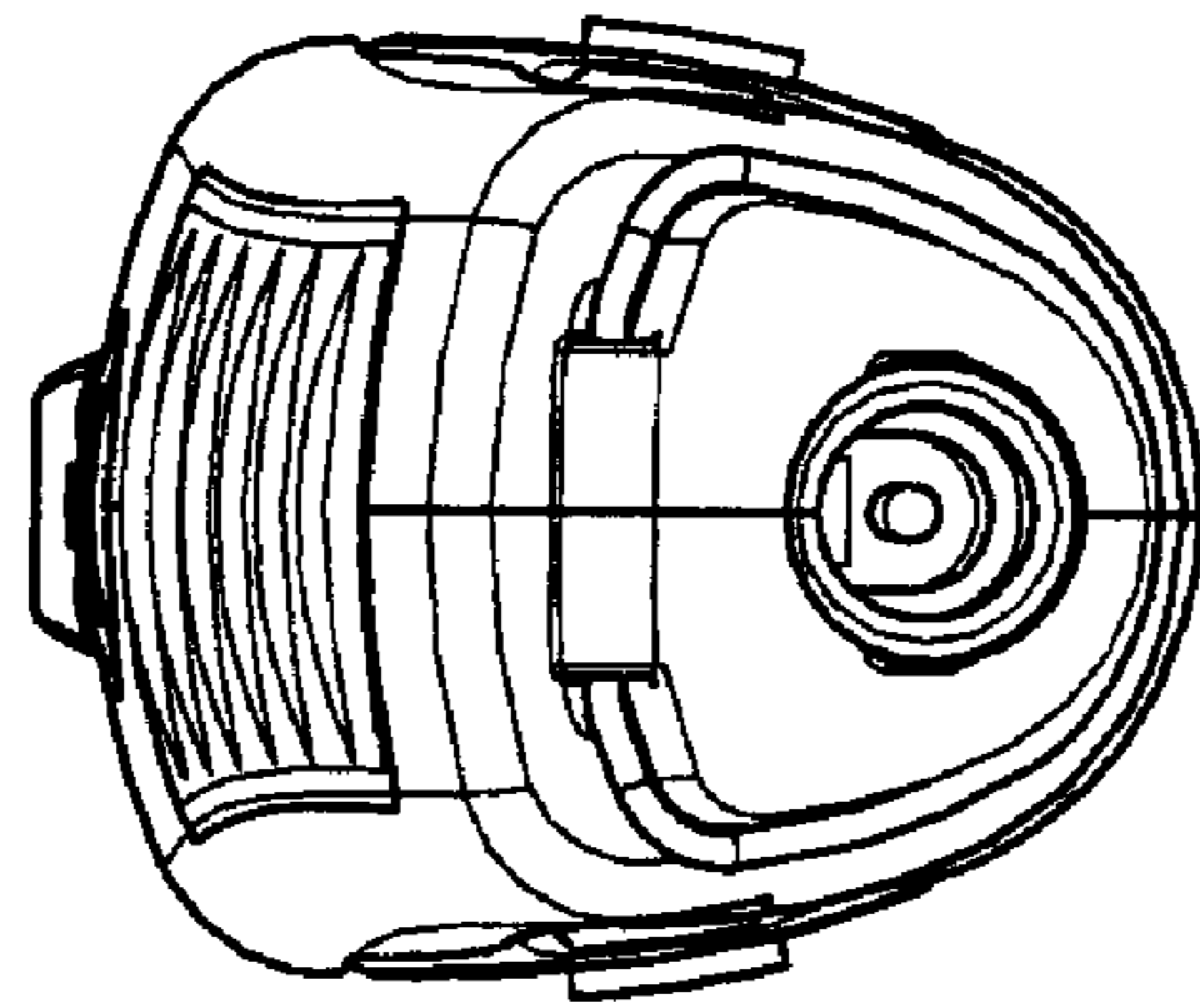


Figure 8