

US00D542107S

(12) **United States Design Patent** (10) **Patent No.:** **US D542,107 S**  
**Yale et al.** (45) **Date of Patent:** **\*\* May 8, 2007**

(54) **FOLDING TOOL INCLUDING PLIERS AND INTERIOR SPACERS**

(75) Inventors: **Melissa C. Yale**, Portland, OR (US);  
**Hollan A. Tsuda**, Portland, OR (US)

(73) Assignee: **Leatherman Tool Group, Inc.**,  
Portland, OR (US)

(\*\*) Term: **14 Years**

(21) Appl. No.: **29/220,871**

(22) Filed: **Jan. 7, 2005**

(51) **LOC (8) Cl.** ..... **08-05**

(52) **U.S. Cl.** ..... **D8/52**

(58) **Field of Classification Search** ..... D8/4,  
D8/51, 52, 54, 55, 56, 58, 99, 104, 105, 107;  
D22/118; D29/124; 7/118, 119, 125-135,  
7/158, 163-166, 168; 30/136, 136.5, 160,  
30/161; 81/300, 302, 304, 427.5, 440  
See application file for complete search history.

(56) **References Cited**

**U.S. PATENT DOCUMENTS**

124,566 A	3/1872	Garrick	
159,134 A	1/1875	Woodward	
254,404 A	2/1882	Story	
390,633 A	10/1888	Week et al.	
1,046,361 A	12/1912	Wulff	
1,282,875 A	10/1918	Kupec	
1,362,143 A	12/1920	Roher	
2,575,652 A	11/1951	Bovee	
2,824,368 A	2/1958	Bassett	
2,869,232 A	1/1959	Kivela	
2,980,996 A	4/1961	Beran	
3,783,509 A	1/1974	Lake	
4,238,862 A	12/1980	Leatherman	
4,364,104 A	* 12/1982	Holahan et al.	362/223
4,384,499 A	5/1983	Shockley	
D280,179 S	8/1985	Miceli	
4,555,822 A	12/1985	Miceli	

(Continued)

**FOREIGN PATENT DOCUMENTS**

EP	0676261 A1	10/1995
EP	0783937 A2	11/1996
GB	5375	11/1882
IT	521555	3/1955

**OTHER PUBLICATIONS**

U.S. Appl. No. 29/209,072, Rivera et al.  
U.S. Appl. No. 29/220,870, Yale.  
U.S. Appl. No. 29/220,912, Yale et al.  
U.S. Appl. No. 29/220,922, Yale.  
U.S. Appl. No. 29/220,911, Tsuda.  
U.S. Appl. No. 29/220,831, Yale.  
U.S. Appl. No. 29/220,869, Yale.  
SOG "Paratool" Multipurpose Tool, photocopy of User's Guide, at least as early as 1993.  
Leatherman Tool Group, Inc., The Original Leatherman PST II, photocopy of brochure, at least as early as Jul. 1995.  
E-Bay Advertisement, "Early 1900s Folding Fisherman's Tool MT," Item No. 2153119094, at least as early as Jan. 13, 2003.

*Primary Examiner*—Alan P. Douglas  
*Assistant Examiner*—Deanna Fluegeman  
(74) *Attorney, Agent, or Firm*—Chernoff, Vilhauer, McClung & Stenzel, LLP

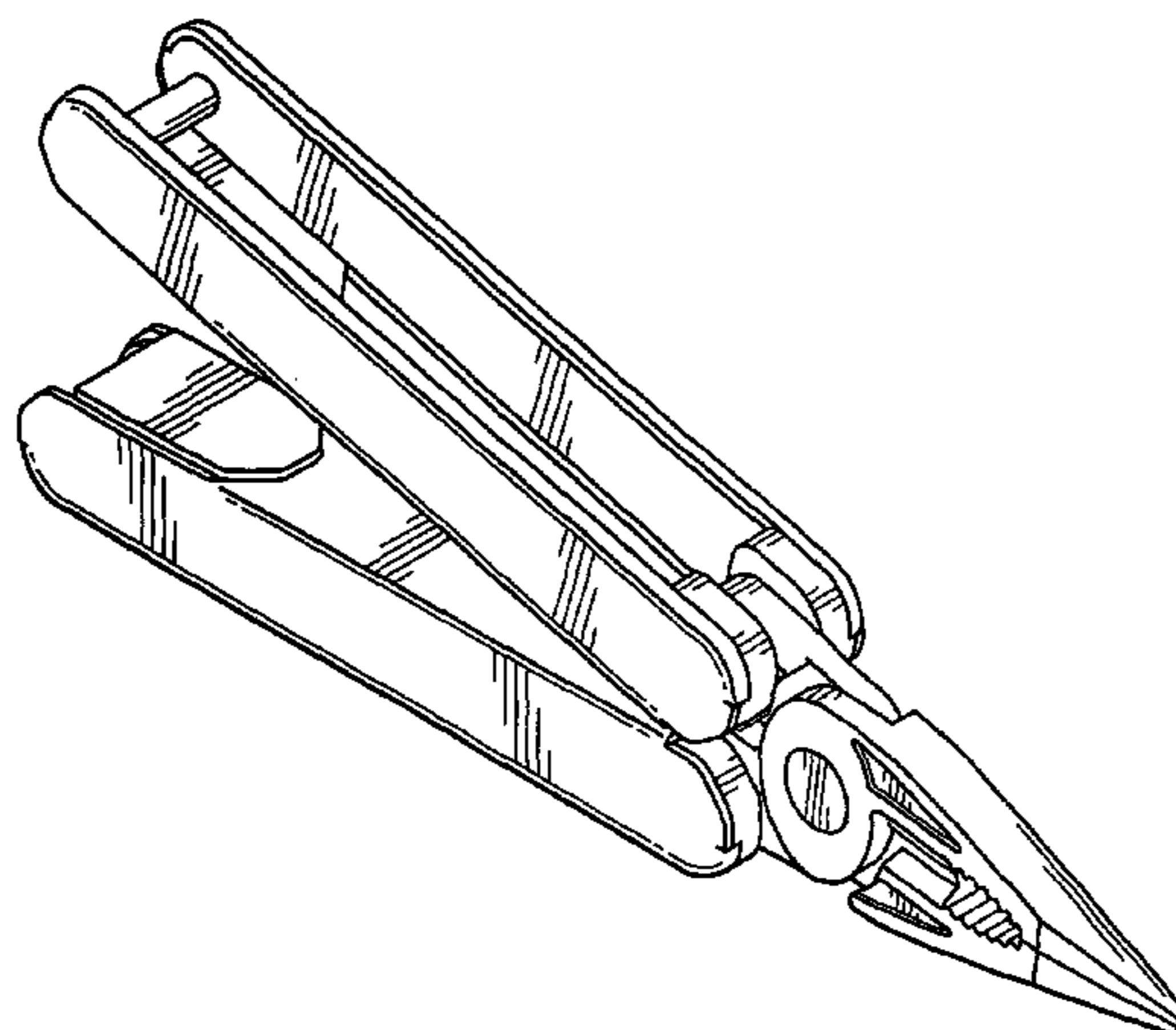
(57) **CLAIM**

The ornamental design for a folding tool including pliers and interior spacers, as shown and described.

**DESCRIPTION**

FIG. 1 is an isometric view from the upper right front of a folding tool including pliers and interior spacers, showing our new design;  
FIG. 2 is a side elevational view thereof, an elevational view of the opposite side being identical therewith;  
FIG. 3 is a top plan view thereof, a bottom plan view thereof being identical therewith;  
FIG. 4 is a rear elevational view thereof; and,  
FIG. 5 is a front elevational view thereof.

**1 Claim, 2 Drawing Sheets**



# US D542,107 S

U.S. PATENT DOCUMENTS					
4,744,272	A	5/1988 Leatherman	D426,447	S	6/2000 Chau
D304,154	S	10/1989 Osterhout	D427,501	S	7/2000 Rivera
4,882,841	A	11/1989 Margolis	6,092,444	A	7/2000 Hsiao
D319,767	S	9/1991 Sargent	D429,131	S	8/2000 Rivera
5,062,173	A	11/1991 Collins et al.	D429,132	S	8/2000 Rivera
5,142,721	A	9/1992 Sessions et al.	D429,616	S	8/2000 Rivera
D332,384	S	1/1993 Dague	D429,979	S *	8/2000 Chiang ..... D8/25
5,212,844	A	5/1993 Sessions et al.	6,128,805	A	10/2000 Rivera
5,267,366	A	12/1993 Frazer	D433,902	S	11/2000 Rivera
D344,006	S	2/1994 Glesser	D435,776	S	1/2001 Veltz et al.
5,283,920	A	2/1994 Plummer	D436,514	S	1/2001 Rivera
D357,166	S	4/1995 Concari	6,216,301	B1	4/2001 Rivera
D364,327	S	11/1995 Graham	6,226,822	B1	5/2001 Chen
D367,807	S	3/1996 Hung	D445,009	S	7/2001 Rivera
D368,634	S	4/1996 Frazer	D446,708	S	8/2001 Rivera
5,511,310	A	4/1996 Sessions et al.	D446,709	S	8/2001 Rivera
5,564,318	A	10/1996 Pail	D447,039	S	8/2001 Rivera
D380,362	S *	7/1997 Rivera ..... D8/52	D447,041	S	8/2001 Rivera
D382,190	S	8/1997 Blackston et al.	D447,401	S	9/2001 Rivera
D384,872	S	10/1997 Yeh	6,282,996	B1	9/2001 Berg et al.
D385,168	S	10/1997 Rivera	6,282,997	B1 *	9/2001 Frazer ..... 81/427.5
D385,169	S	10/1997 Rivera	6,305,041	B1	10/2001 Montague et al.
D385,170	S	10/1997 Rivera	6,318,218	B1	11/2001 Anderson
5,711,194	A	1/1998 Anderson	D454,044	S *	3/2002 Alfaro ..... D8/107
D392,519	S	3/1998 Hung	6,389,625	B1	5/2002 Rivera
5,743,582	A	4/1998 Rivera	6,408,522	B2	6/2002 Rivera
5,745,997	A	5/1998 Berg et al.	D460,332	S *	7/2002 Seber ..... D8/55
D398,209	S	9/1998 Rivera	6,427,334	B2	8/2002 Onion
D398,213	S	9/1998 Rivera	D468,987	S	1/2003 Dreyfus et al.
5,809,599	A	9/1998 Frazer	6,510,767	B1	1/2003 Rivera
D401,133	S	11/1998 Gardiner et al.	D470,031	S	2/2003 Rivera
5,829,329	A	11/1998 Frazer	D470,032	S	2/2003 Rivera
D403,569	S *	1/1999 Frazer ..... D8/105	D470,372	S	2/2003 Rivera
D403,944	S	1/1999 Rivera	D474,085	S	5/2003 Rivera
D405,675	S	2/1999 Rivera	D474,670	S	5/2003 Rivera
D405,676	S	2/1999 Rivera	D479,788	S	9/2003 Ocklenburg
D406,508	S	3/1999 Rivera	6,622,328	B2	9/2003 Rivera
D406,509	S	3/1999 Rivera	6,625,832	B2	9/2003 Montague et al.
D406,997	S *	3/1999 Robbins ..... D8/55	D494,032	S	8/2004 Rivera
D407,004	S	3/1999 Hull et al.	D496,846	S	10/2004 Rivera et al.
D407,622	S	4/1999 Rivera	D496,847	S	10/2004 Rivera et al.
D408,238	S	4/1999 Rivera	D497,093	S	10/2004 Rivera et al.
D411,946	S	7/1999 Yuh	D497,094	S	10/2004 Rivera et al.
D414,092	S	9/1999 Chang	D497,095	S	10/2004 Rivera et al.
D414,387	S	9/1999 Hung	D497,096	S	10/2004 Rivera et al.
5,978,993	A	11/1999 Rivera	D497,532	S	10/2004 Rivera et al.
5,979,059	A *	11/1999 Leatherman et al. .... 30/161	D497,790	S	11/2004 Rivera et al.
D417,601	S	12/1999 Rivera	D497,791	S	11/2004 Rivera et al.
6,003,180	A	12/1999 Frazer	D499,621	S	12/2004 Rivera et al.
6,009,582	A	1/2000 Harrison et al.	D499,622	S	12/2004 Rivera et al.
6,014,787	A	1/2000 Rivera	D501,127	S	1/2005 Rivera et al.
D421,377	S	3/2000 Rivera	7,051,627	B2 *	5/2006 Rivera ..... 81/440
6,038,735	A *	3/2000 Chang ..... 16/110.1	2003/0192128	A1	10/2003 Rivera
6,047,426	A	4/2000 McIntosh et al.	2004/0003472	A1	1/2004 Dallas et al.
D423,893	S	5/2000 Mackin et al.	2004/0019973	A1	2/2004 Rivera
D426,446	S	6/2000 Chau			

\* cited by examiner

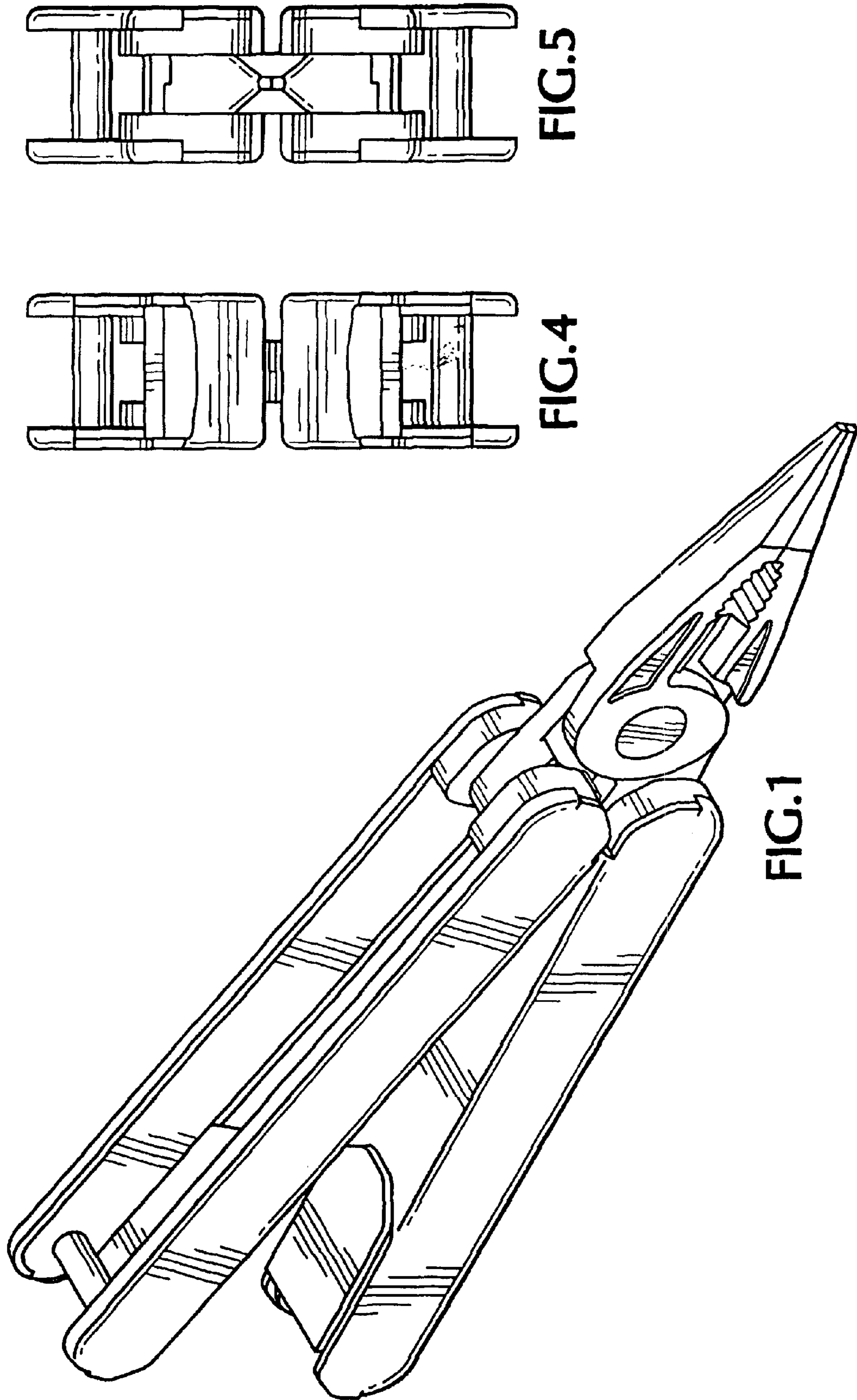


FIG.5

FIG.4

FIG.1

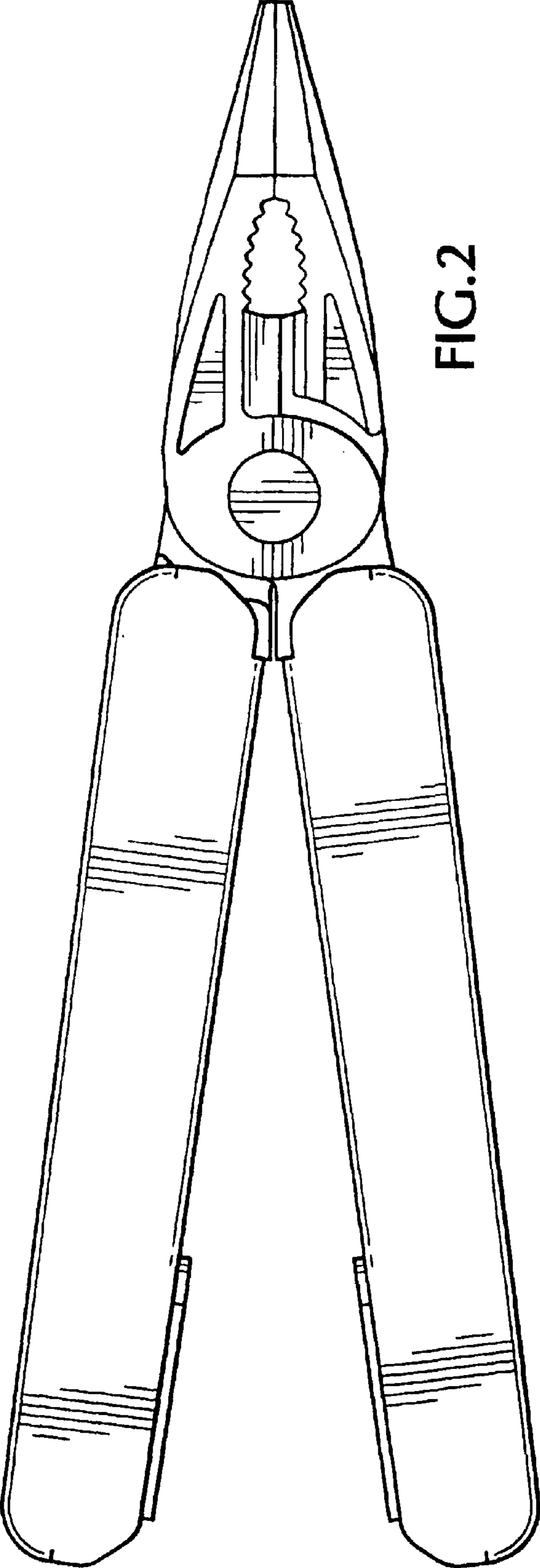


FIG. 2

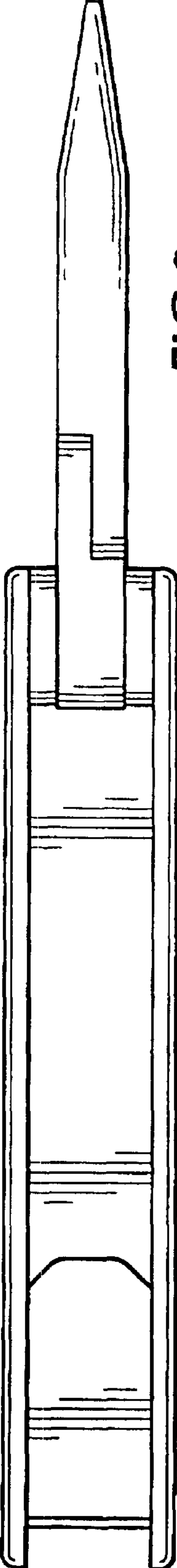


FIG. 3