

US00D542105S

(12) **United States Design Patent**  
**Grether**

(10) **Patent No.:** **US D542,105 S**

(45) **Date of Patent:** **\*\* May 8, 2007**

(54) **UNIVERSAL TOOL FOR SANITARY  
FIXTURES**

(75) Inventor: **Hermann Grether**, Müllheim (DE)

(73) Assignee: **Neoperl GmbH**, Mullheim (DE)

(\*\*) Term: **14 Years**

(21) Appl. No.: **29/244,809**

(22) Filed: **Dec. 14, 2005**

(30) **Foreign Application Priority Data**

Jun. 20, 2005 (EM) ..... 000360920-0001

(51) **LOC (8) Cl.** ..... **08-05**

(52) **U.S. Cl.** ..... **D8/28**

(58) **Field of Classification Search** ..... D8/21-29,  
D8/17, 86; 81/119, 120, 121.1, 125, 177.1,  
81/177.85, 176.3, 121.7, 436, 437, 165, 418,  
81/186, 166, 168, 169, 170, 179, 124.3, 124.4,  
81/124.6, 58-63.2, 3.09

See application file for complete search history.

(56) **References Cited**

**U.S. PATENT DOCUMENTS**

564,625 A \* 7/1896 Kelsea ..... 81/119  
D53,597 S \* 7/1919 Marchman ..... D8/28  
D103,679 S \* 3/1937 McNaught ..... D7/693  
D274,085 S \* 5/1984 Yanagi ..... D23/253

D311,313 S \* 10/1990 Whiteside ..... D8/17  
5,038,644 A \* 8/1991 Delsack ..... 81/177.3  
D330,319 S \* 10/1992 Linderman et al. .... D23/250  
D339,040 S \* 9/1993 Piecuch et al. .... D8/26  
5,655,242 A \* 8/1997 Chuang ..... 7/138  
D431,982 S \* 10/2000 Nyberg ..... D8/21  
D473,436 S \* 4/2003 Pilatzke et al. .... D8/28  
D503,216 S \* 3/2005 Berkman et al. .... D23/250

\* cited by examiner

*Primary Examiner*—Raphael Barkai

*Assistant Examiner*—Randall H. Gholson

(74) *Attorney, Agent, or Firm*—Volpe and Koenig, P.C.

(57) **CLAIM**

The ornamental design for a universal tool for sanitary fixtures, as shown and described.

**DESCRIPTION**

FIG. 1 is a top perspective view of a universal tool for sanitary fixtures showing a top side of my new design; FIG. 2 is a top perspective view showing a bottom side thereof; FIG. 3 is a right side elevational view thereof; FIG. 4 is a rear elevational view thereof; FIG. 5 is a top plan view thereof; FIG. 6 is a front elevational view thereof; FIG. 7 is a bottom plan view thereof; and, FIG. 8 is a left side elevational view thereof.

**1 Claim, 2 Drawing Sheets**

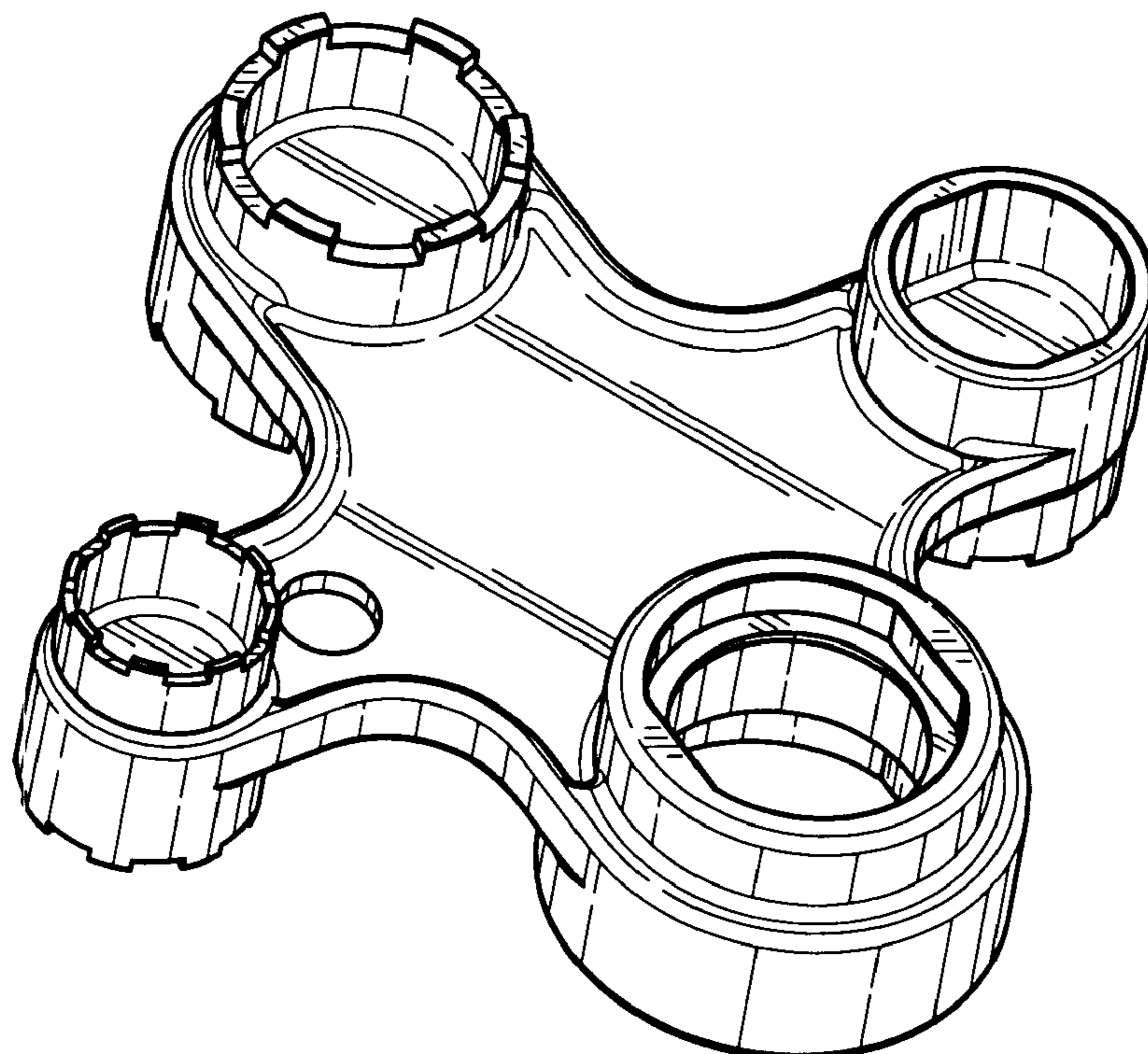


FIG. 1

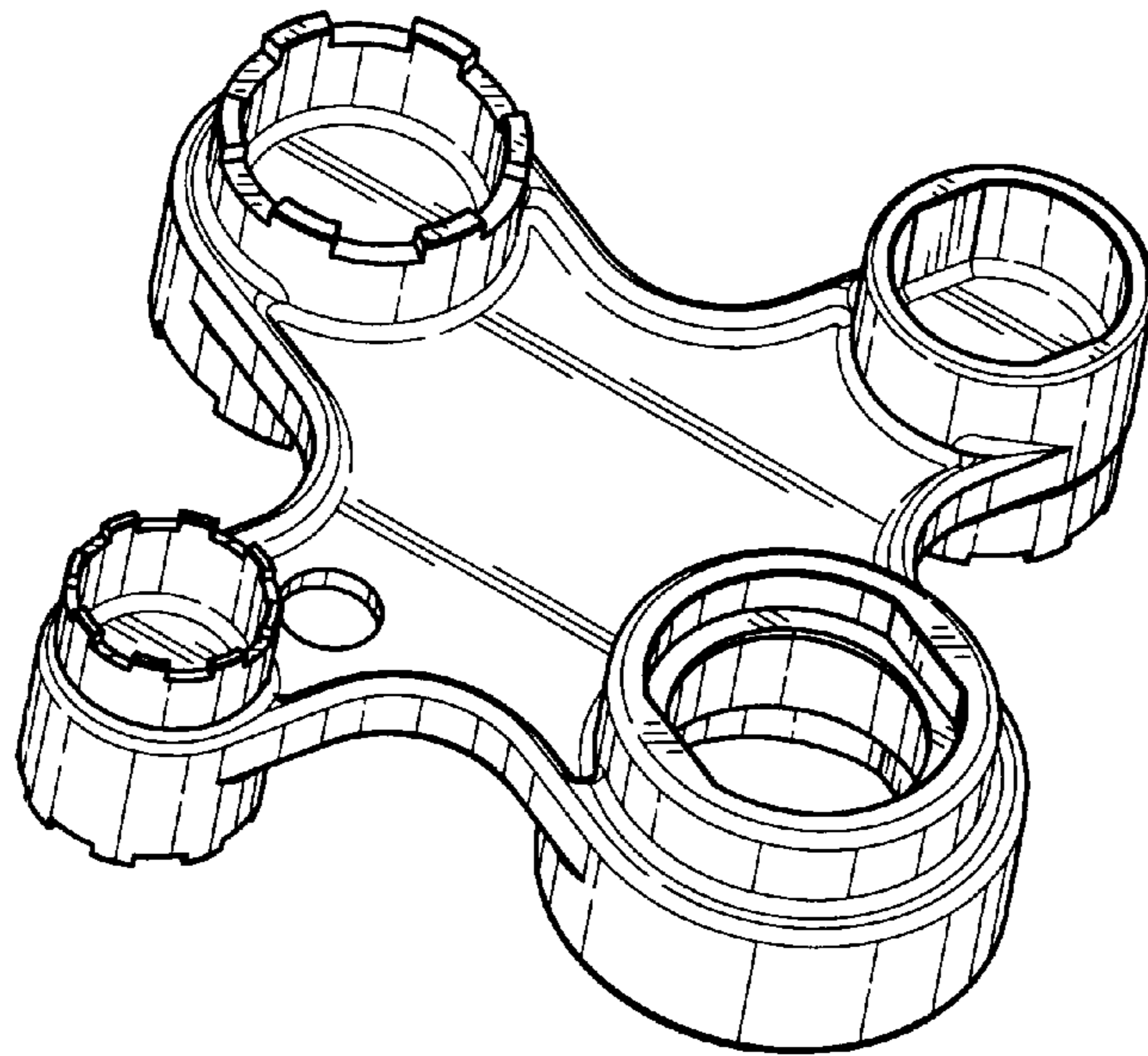


FIG. 2

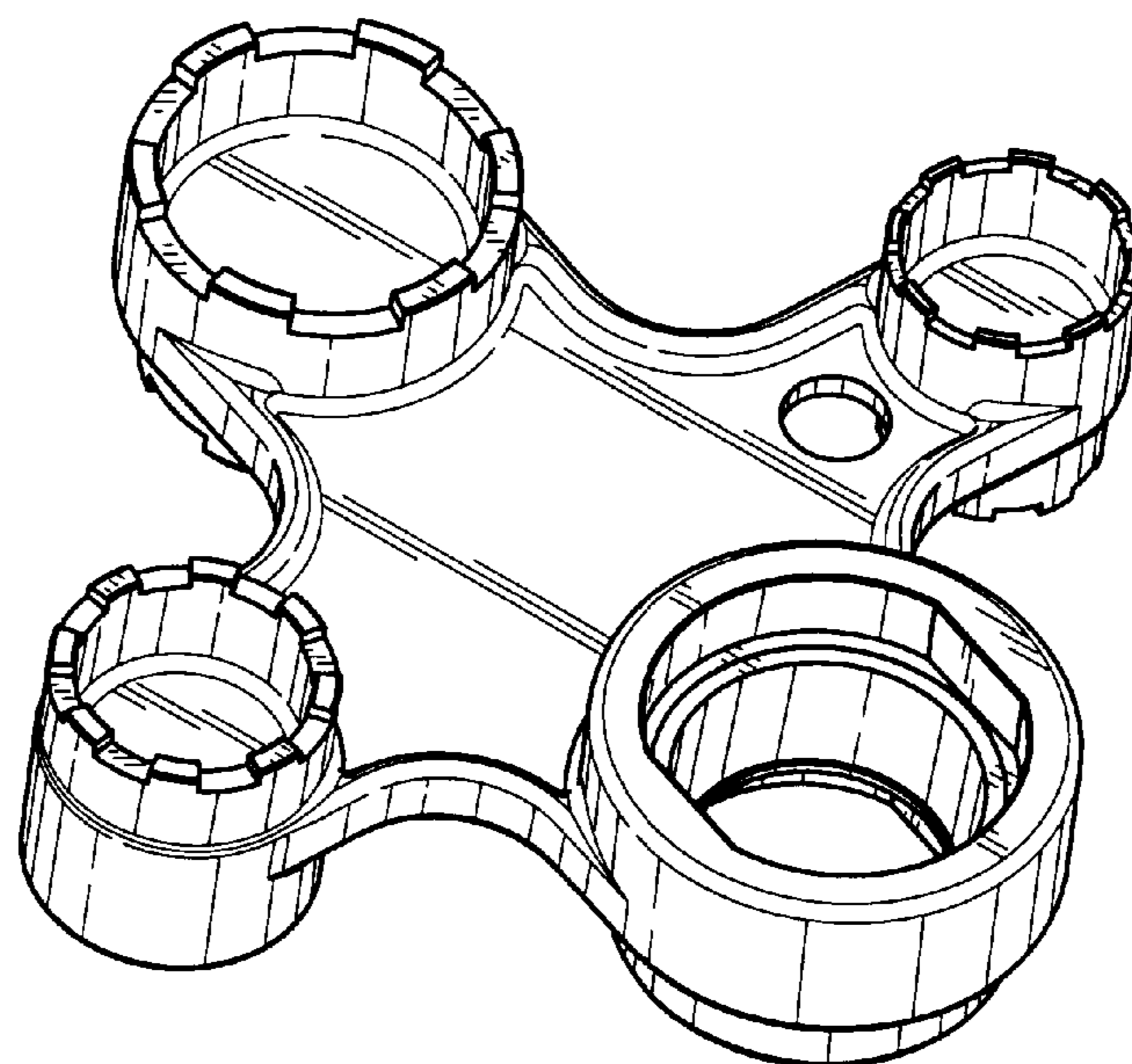


FIG. 4

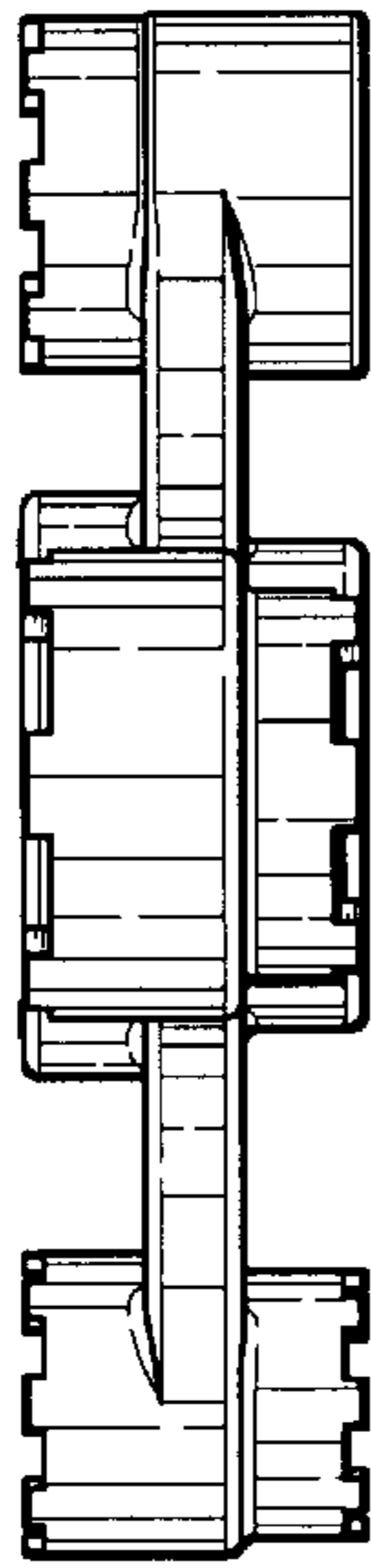
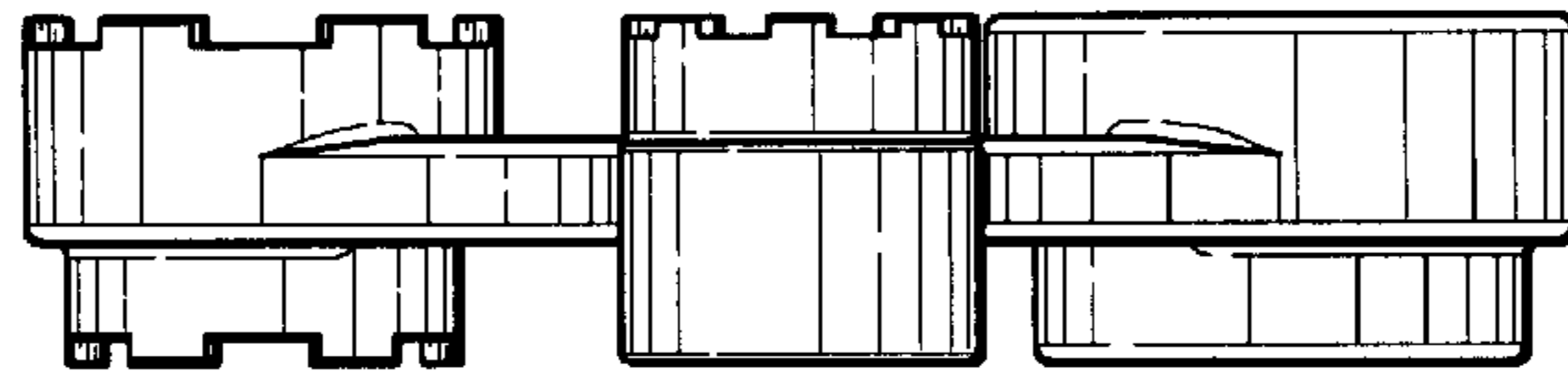


FIG. 3

FIG. 5

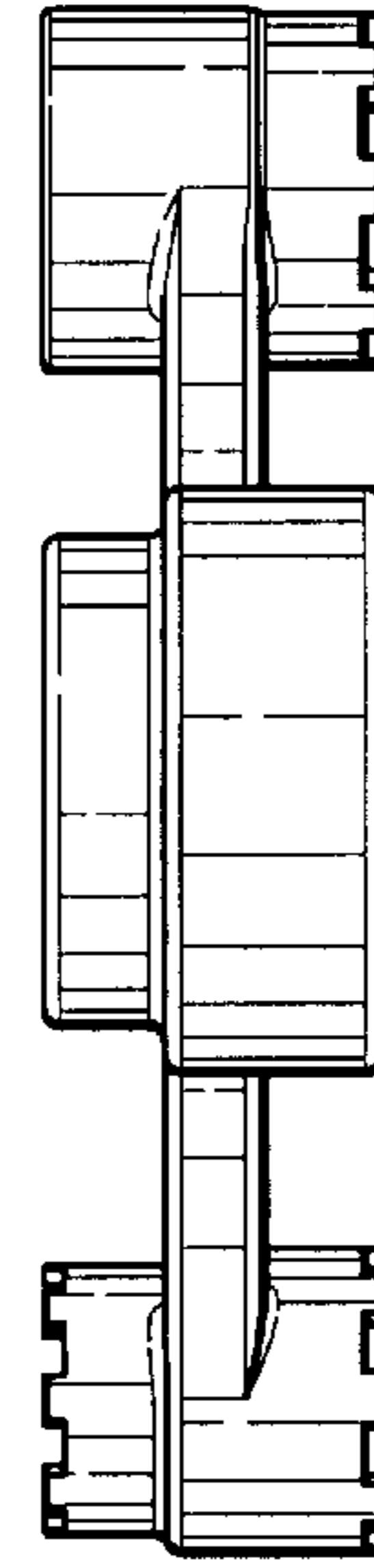
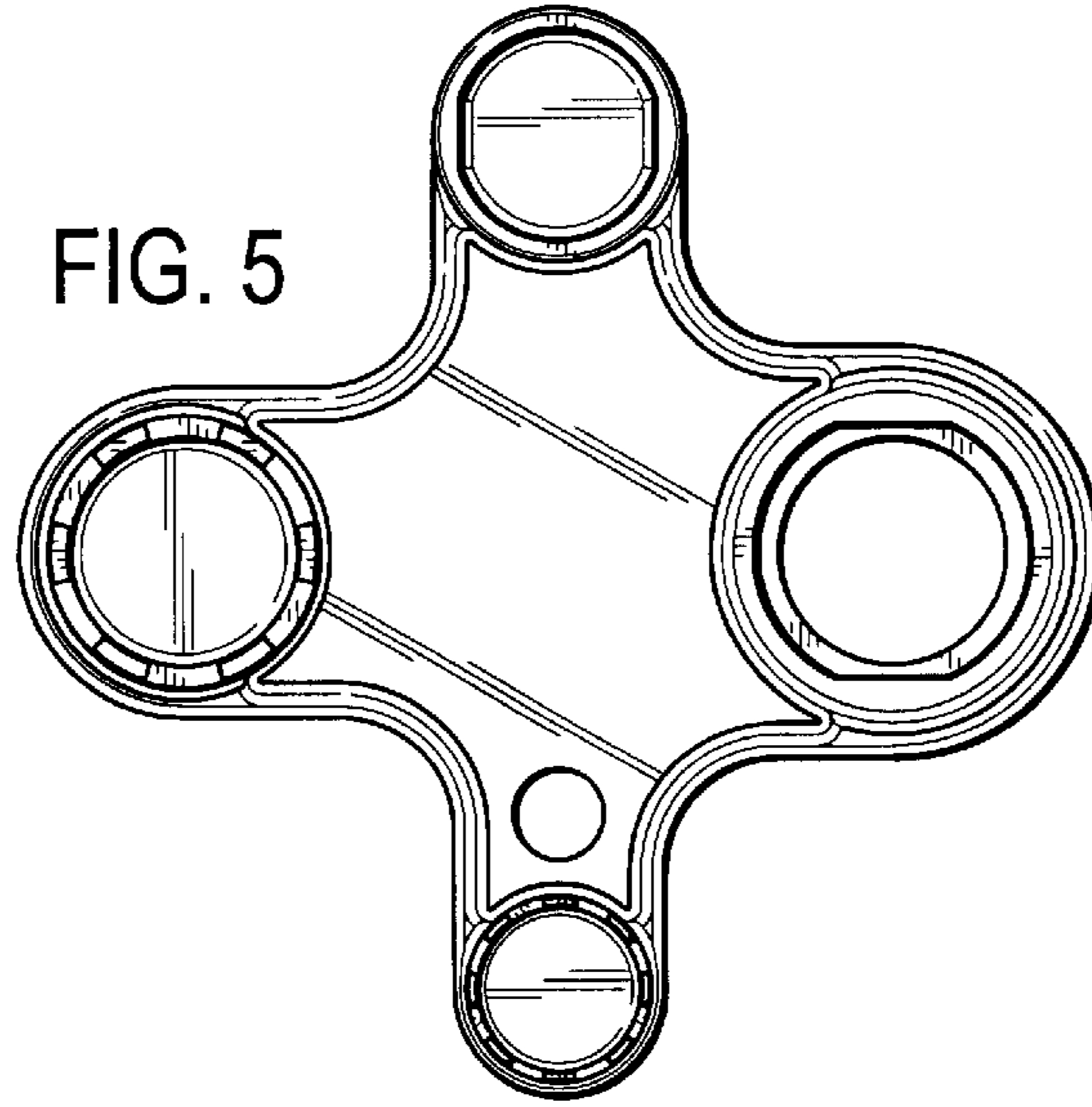


FIG. 8

FIG. 6

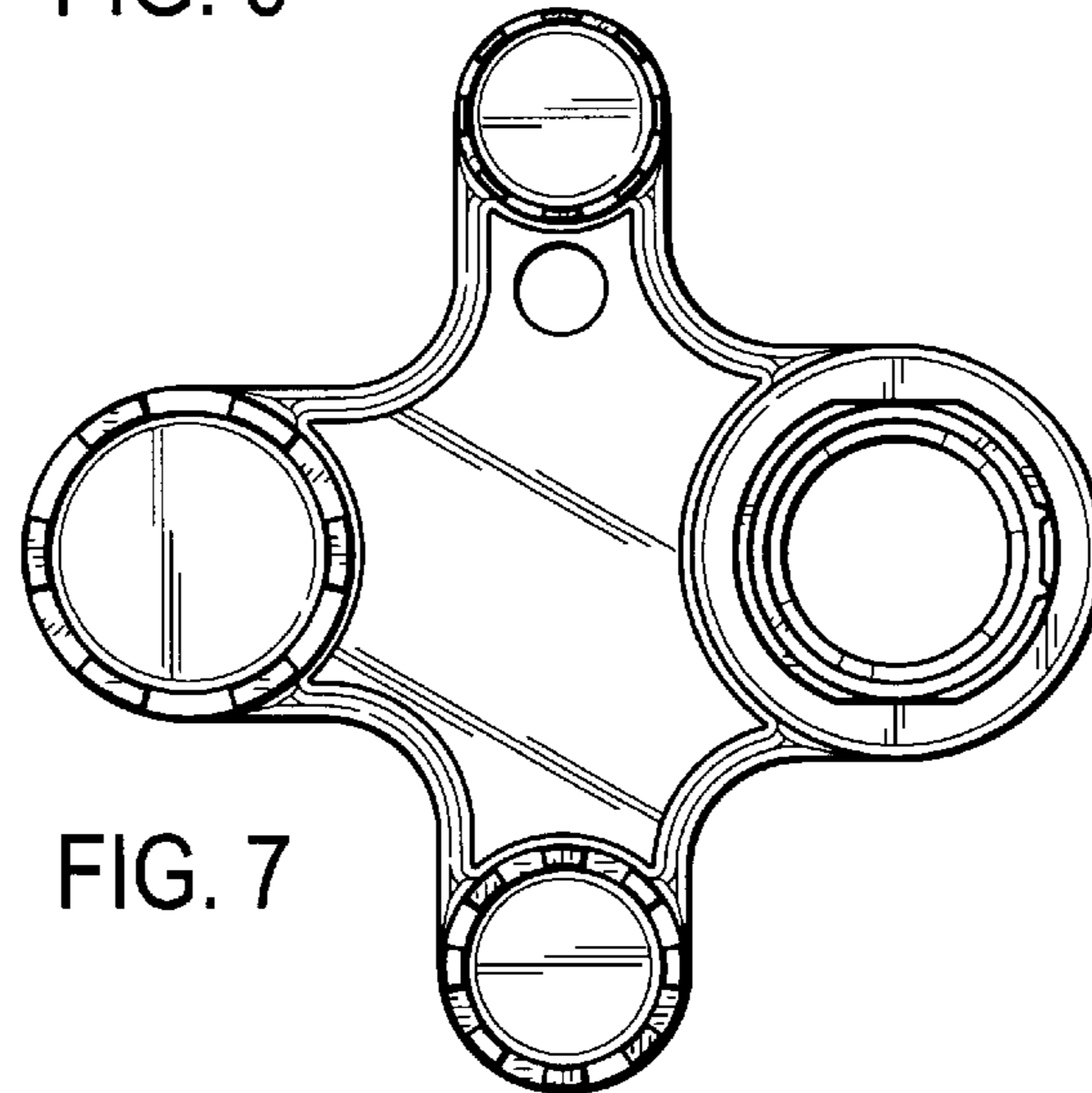


FIG. 7

