



US00D542104S

(12) **United States Design Patent**
Holcomb et al.

(10) **Patent No.:** **US D542,104 S**

(45) **Date of Patent:** **** May 8, 2007**

(54) **PEELER**

(75) Inventors: **David A. Holcomb**, Seattle, WA (US);
Jason O. Germany, Seattle, WA (US)

(73) Assignee: **Chef'N Corporation**, Seattle, WA (US)

(**) Term: **14 Years**

(21) Appl. No.: **29/242,948**

(22) Filed: **Nov. 16, 2005**

(51) **LOC (8) Cl.** **07-04**

(52) **U.S. Cl.** **D7/695**

(58) **Field of Classification Search** D7/693,
D7/695, 412; 30/123.5-123.7, 279.6, 280,
30/304; 99/540-543, 584, 588; 294/1.1
See application file for complete search history.

(56) **References Cited**

U.S. PATENT DOCUMENTS

3,397,455 A * 8/1968 Egge 30/123.5
3,734,003 A * 5/1973 Gerson 99/588
D233,303 S * 10/1974 Ashdown D7/696
D283,579 S * 4/1986 Peterson D7/695

5,471,746 A * 12/1995 Agrimis 30/123.5
D415,660 S * 10/1999 Lion et al. D7/693
D431,095 S 9/2000 Hyman
6,658,742 B2 * 12/2003 Votolato 30/280
6,834,579 B2 12/2004 Kuan

* cited by examiner

Primary Examiner—Terry A. Wallace

(74) *Attorney, Agent, or Firm*—Seed IP Law Group PLLC

(57) **CLAIM**

The ornamental design for a peeler, as shown and described.

DESCRIPTION

FIG. 1 is a front perspective view of a peeler showing our new design.

FIG. 2 is a top plan view thereof.

FIG. 3 is a bottom plan view thereof.

FIG. 4 is a left side elevation view thereof.

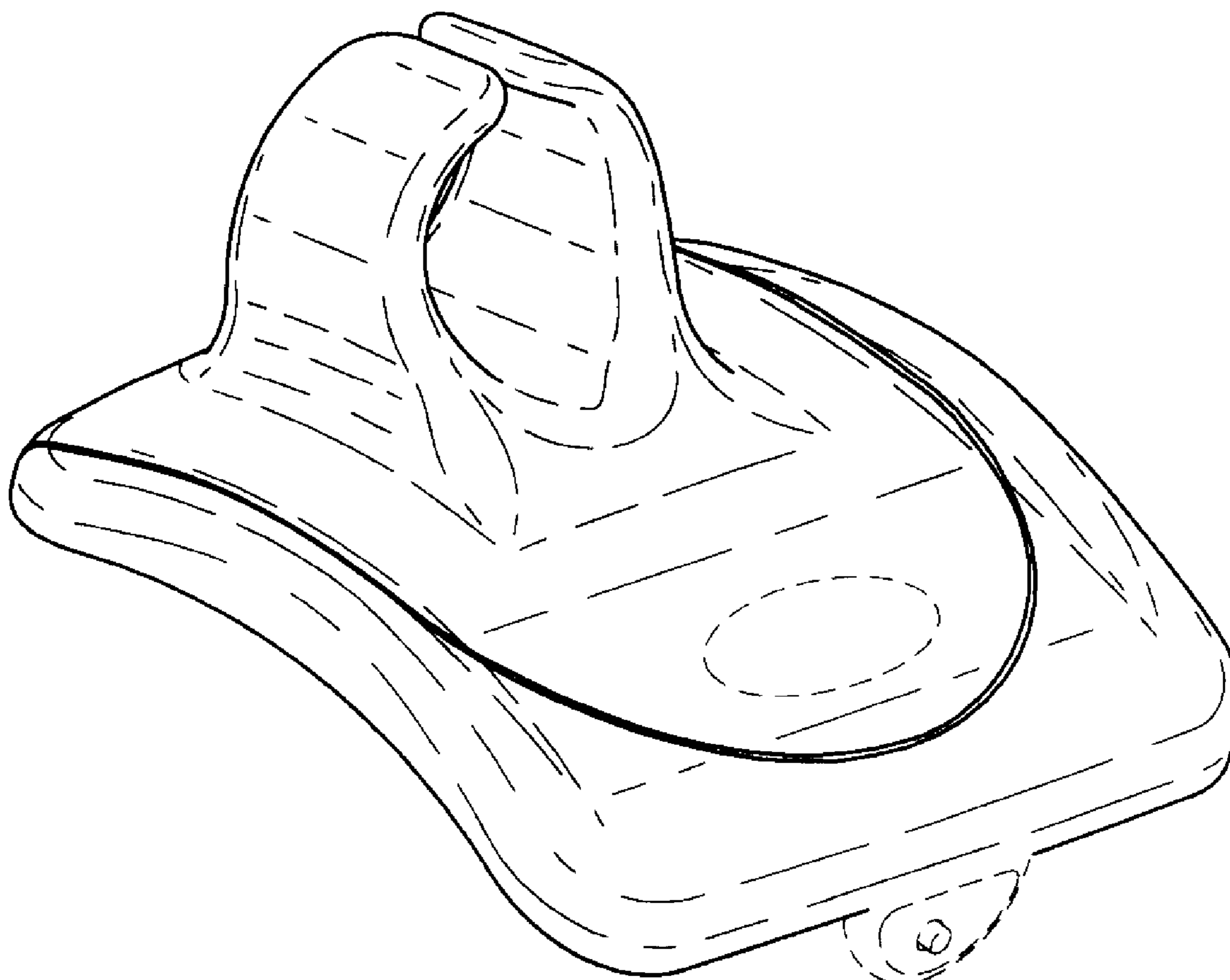
FIG. 5 is a right side elevation view thereof.

FIG. 6 is a front elevation view thereof; and,

FIG. 7 is a rear elevation view thereof.

The broken lines in the figures are for illustrative purposes only and form no part of the claimed design.

1 Claim, 4 Drawing Sheets



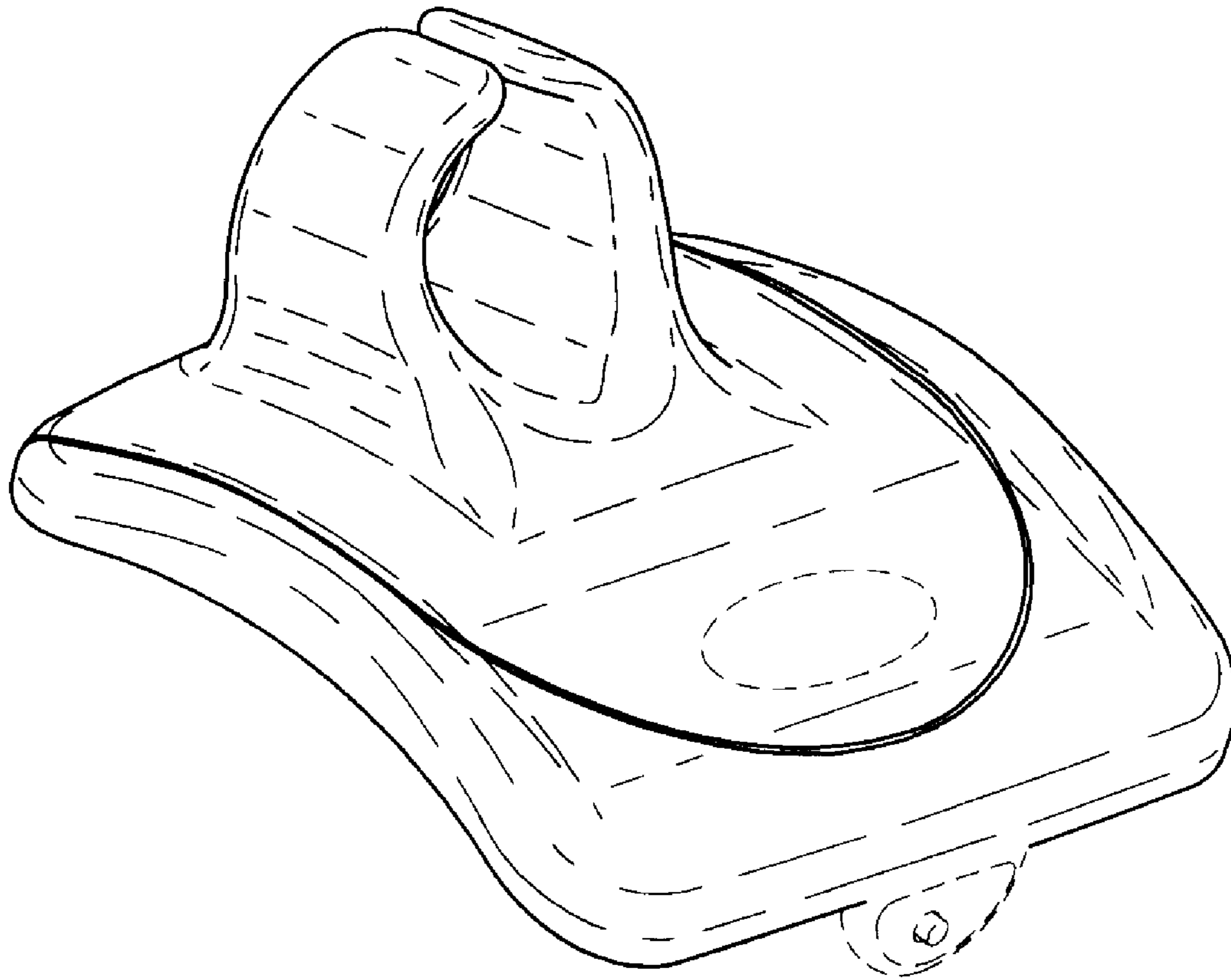


FIG. 1

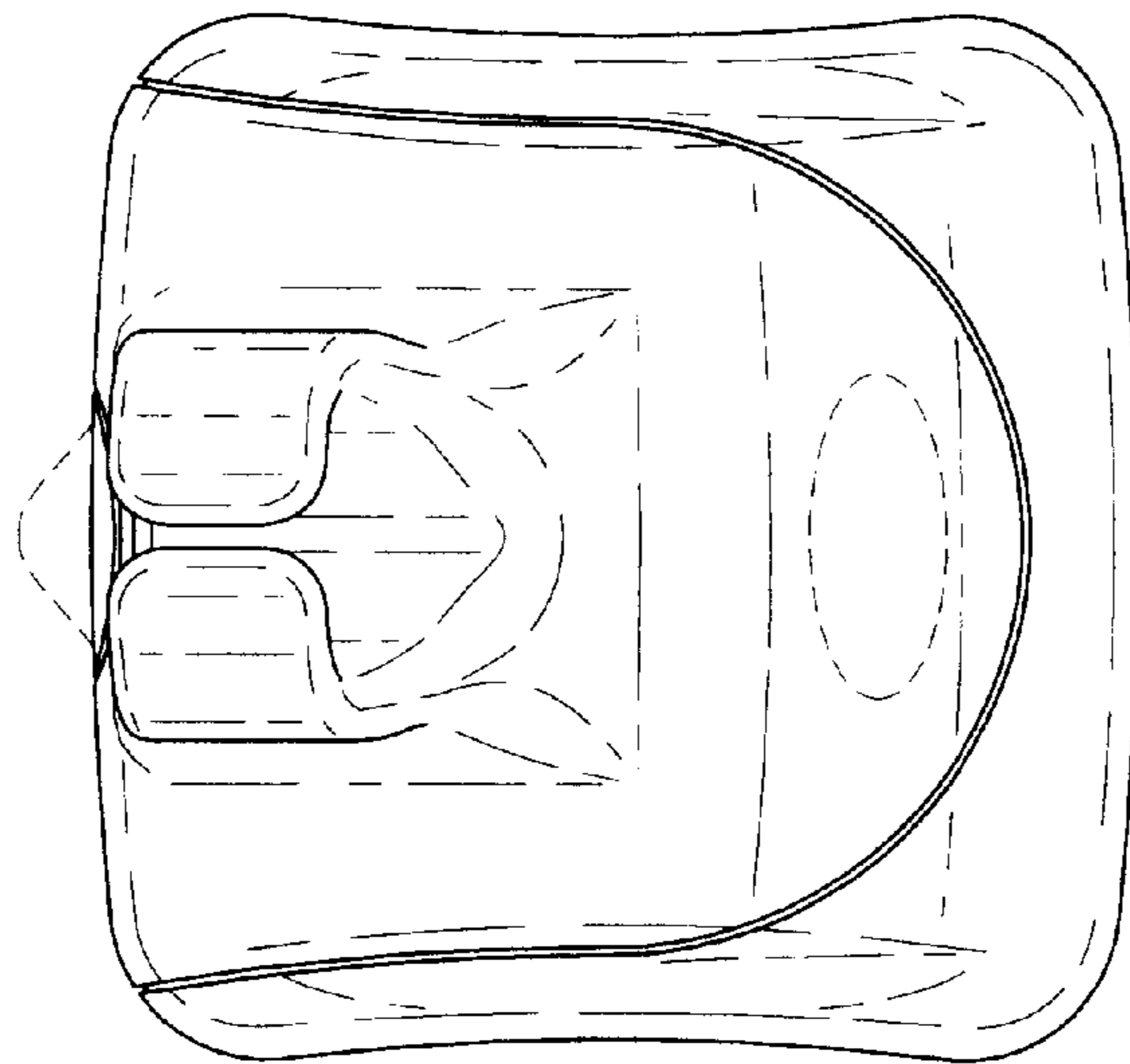


FIG. 2

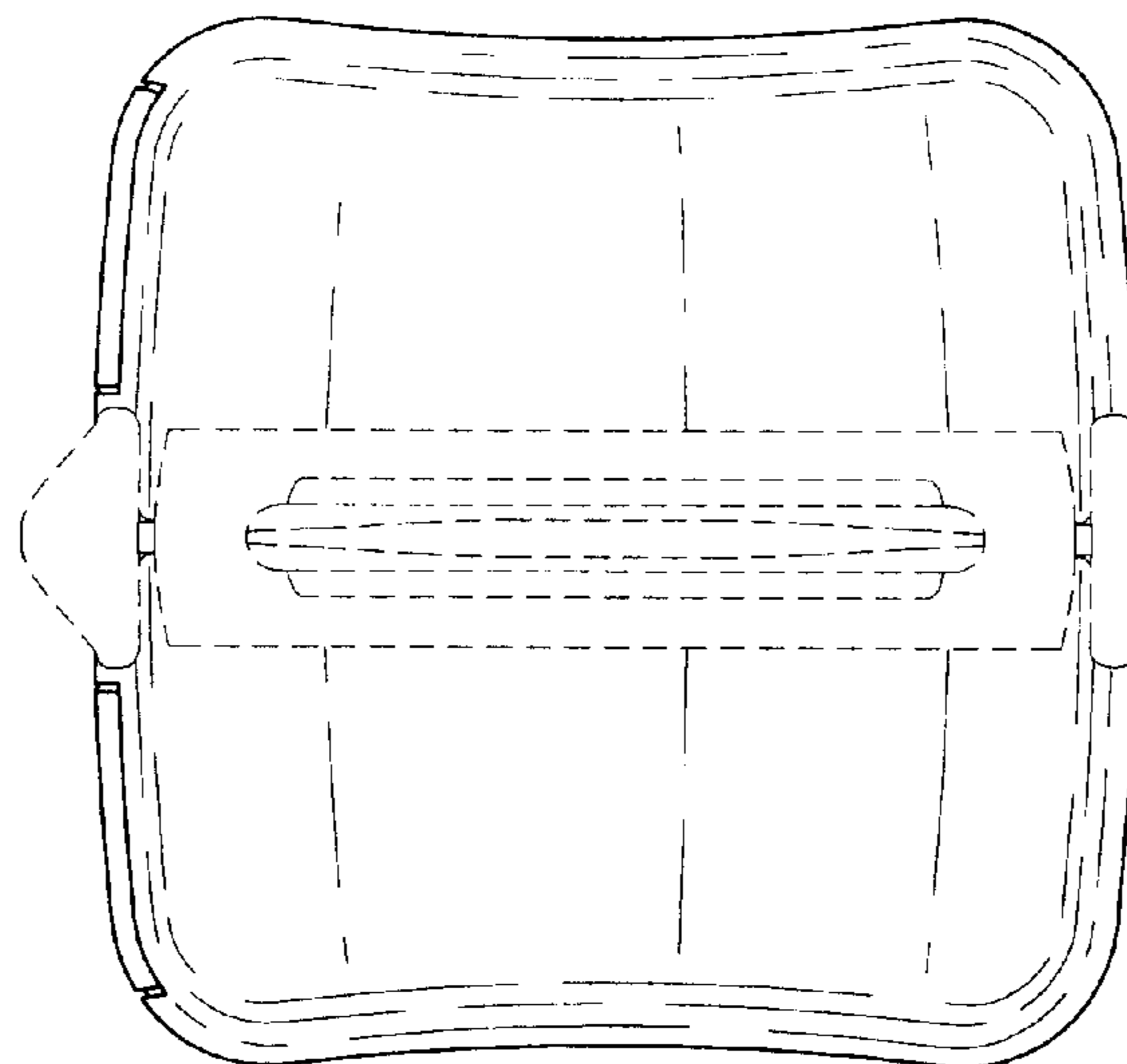


FIG. 3

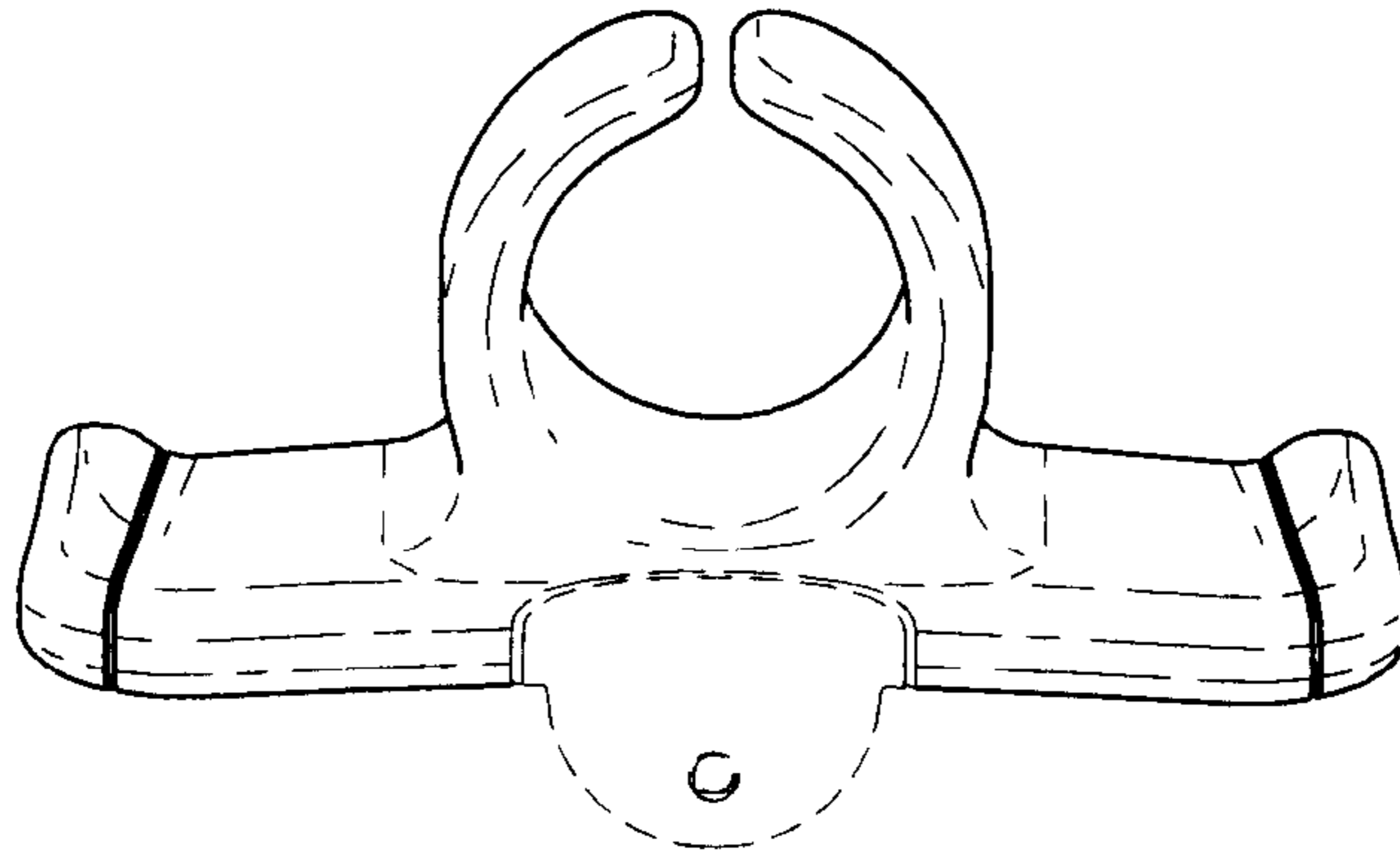


FIG. 4

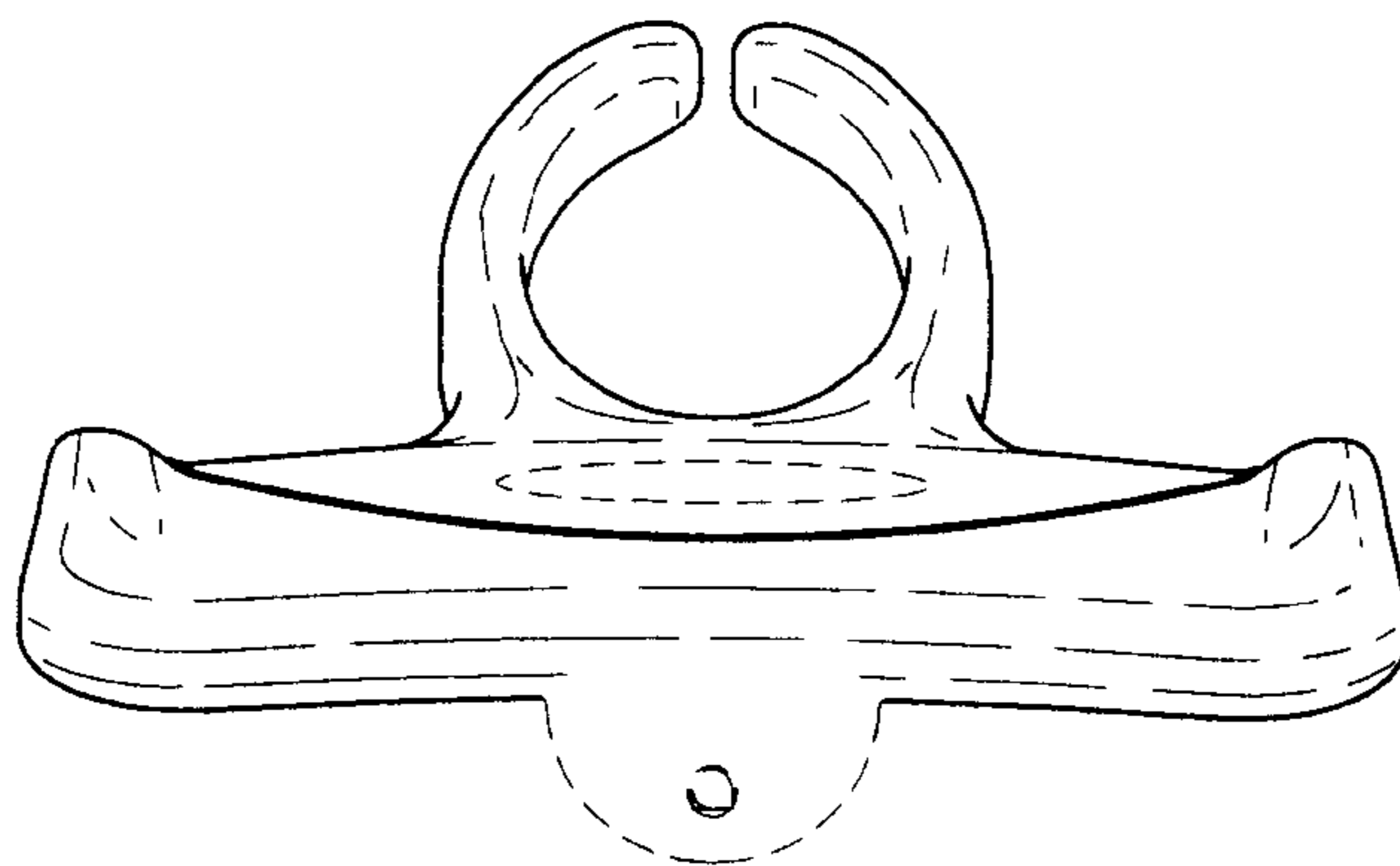


FIG. 5

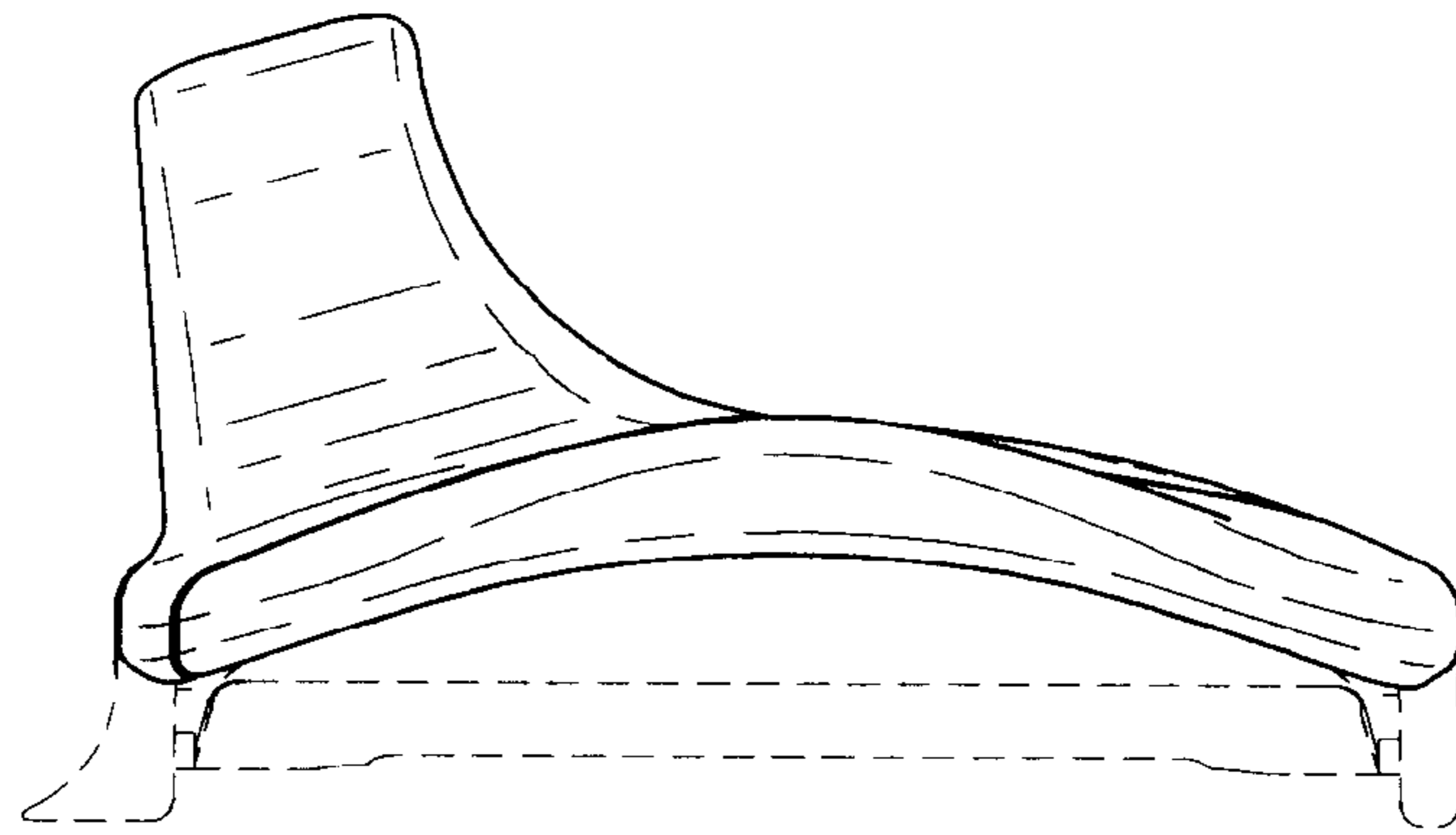


FIG. 6

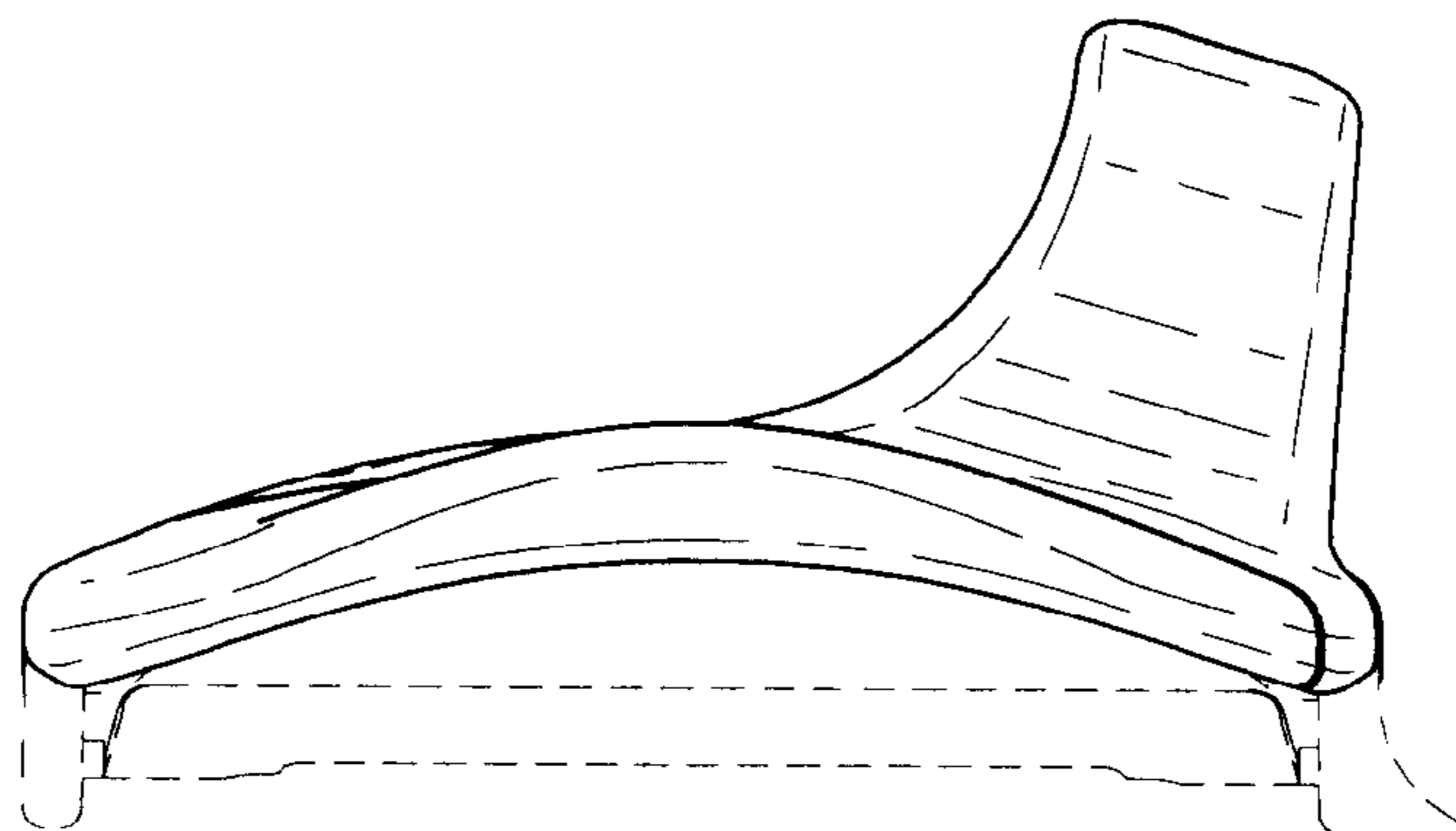


FIG. 7