

US00D542102S

(12) **United States Design Patent**
Cheung

(10) **Patent No.:** **US D542,102 S**

(45) **Date of Patent:** **** May 8, 2007**

(54) **CULINARY WHISK**

(75) Inventor: **Po Wo Paul Cheung**, Kowloon (HK)

(73) Assignee: **Maxpat Trading & Marketing (Far East) Limited**, Tsimshatsui (HK)

(**) Term: **14 Years**

(21) Appl. No.: **29/251,686**

(22) Filed: **Jan. 10, 2006**

(30) **Foreign Application Priority Data**

Oct. 24, 2005 (EP) 000423470

(51) **LOC (8) Cl.** **07-02**

(52) **U.S. Cl.** **D7/690**

(58) **Field of Classification Search** D7/690,
D7/376-380, 412, 688; 366/129, 130, 342-344,
366/325.6, 236.1; 416/69, 70 R, 71, 72, 76,
416/77, 227 R, 230, 240, 241 R, 241 A;
99/348

See application file for complete search history.

(56) **References Cited**

U.S. PATENT DOCUMENTS

D154,752 S * 8/1949 DeMartino D7/380

2,798,702 A * 7/1957 Fjellstedt 416/72
D313,533 S * 1/1991 Rixen D7/380
6,394,640 B1 * 5/2002 Astegno et al. 366/129

* cited by examiner

Primary Examiner—Terry A. Wallace

(74) *Attorney, Agent, or Firm*—smith-Hill and Bedell

(57) **CLAIM**

The ornamental design for “culinary whisk,” as shown and described.

DESCRIPTION

FIG. 1 is a perspective view of a “culinary whisk” incorporating the design of my invention;

FIG. 2 is a side view thereof;

FIG. 3 is another side view at 90° of FIG. 2,

FIG. 4 is another side view at 180° of FIG. 2;

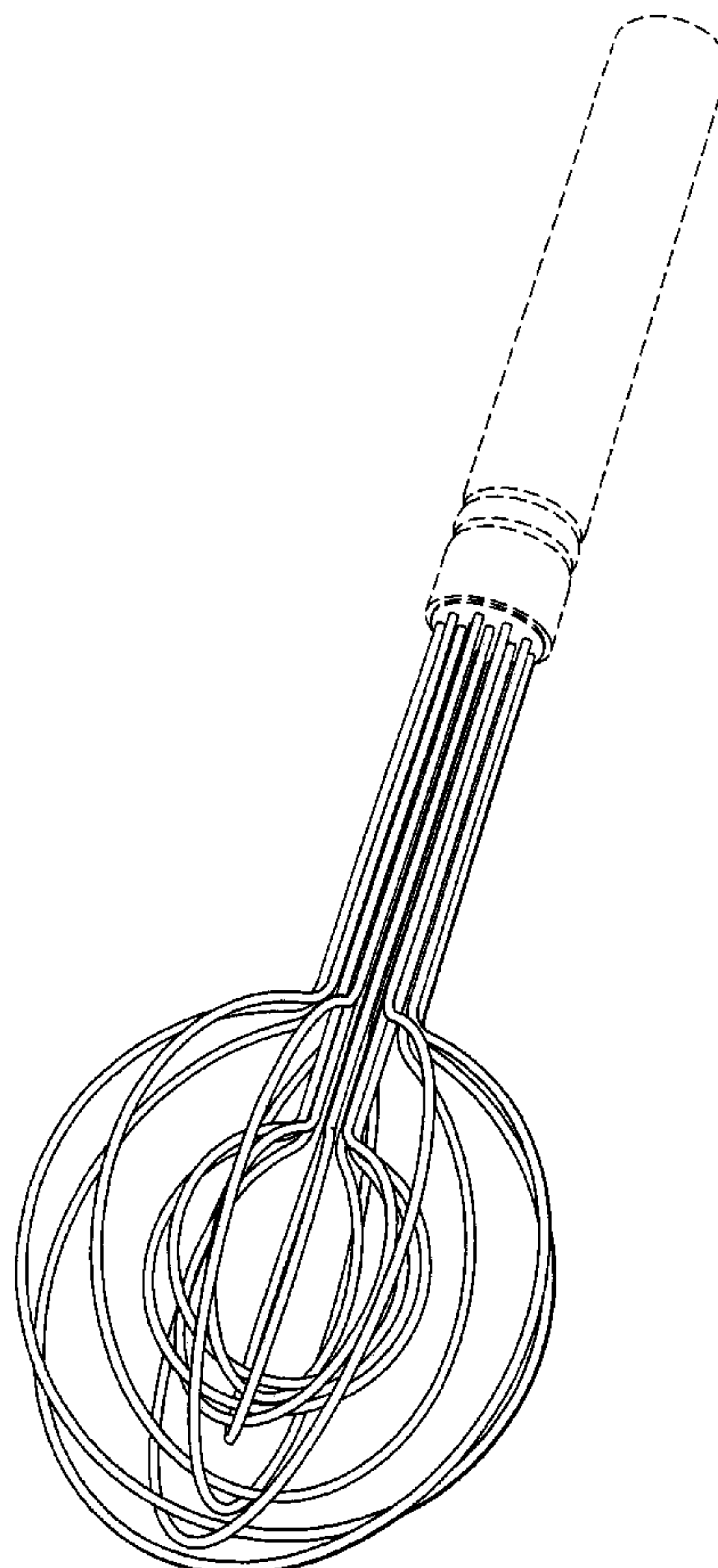
FIG. 5 is another side view at 270° of FIG. 2;

FIG. 6 is a front view thereof; and,

FIG. 7 is a rear view thereof.

The broken lines are for illustrative purposes only and form no part of the claimed design.

1 Claim, 7 Drawing Sheets



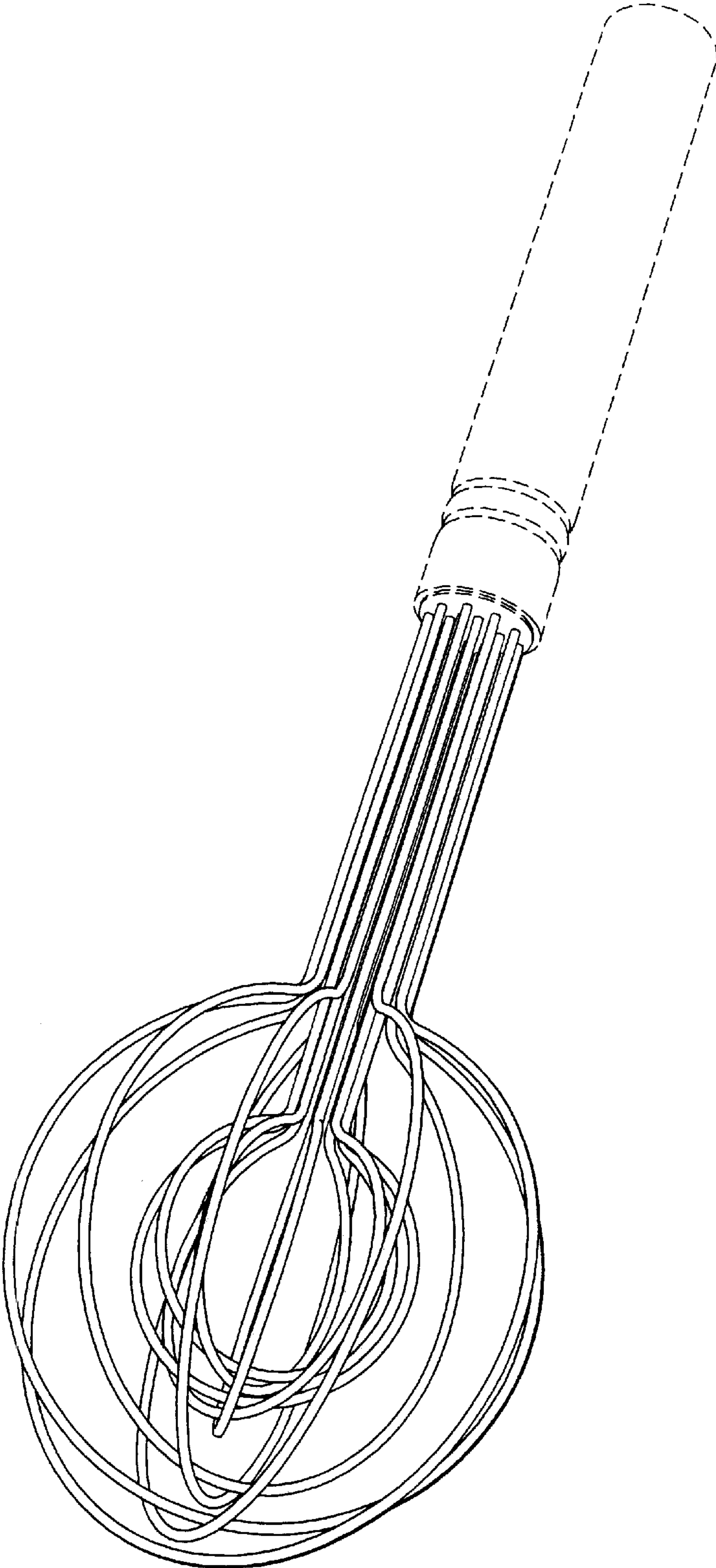


FIG. 1

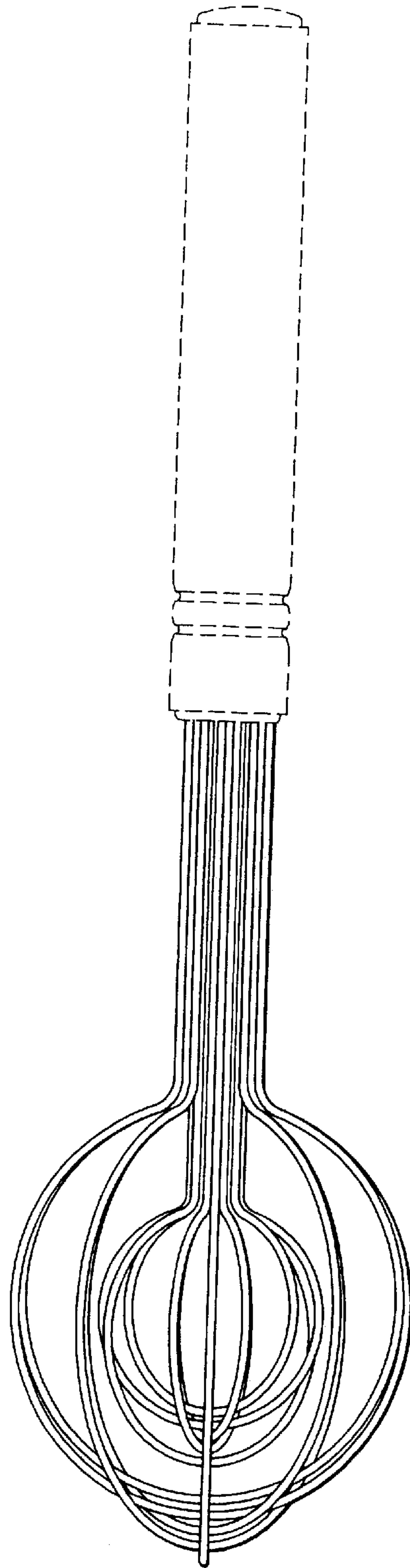


FIG. 2

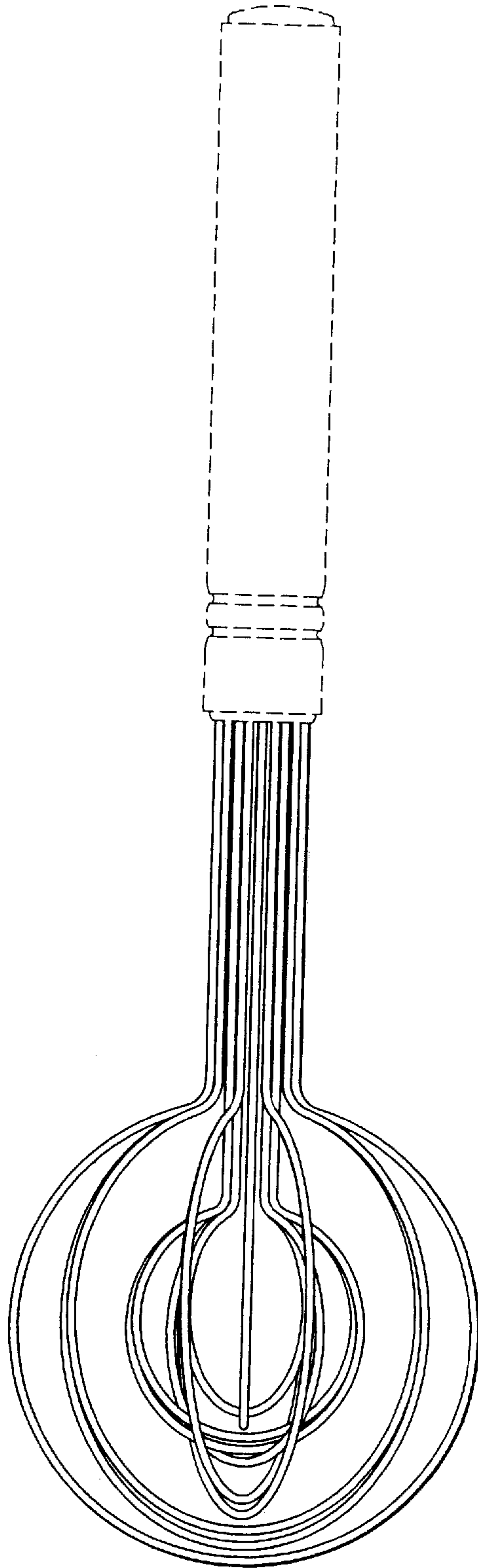


FIG. 3

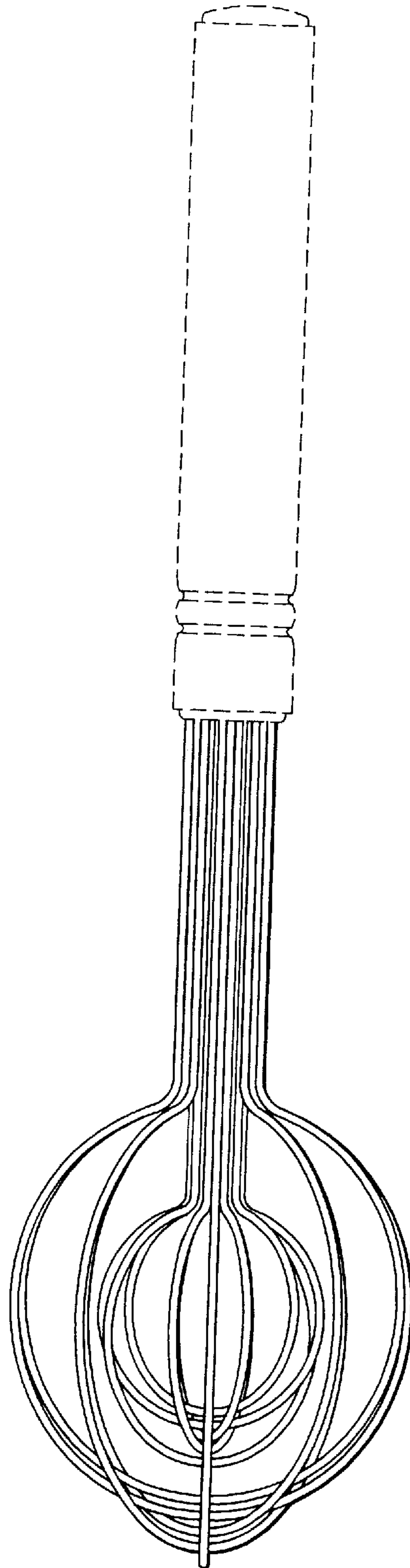


FIG. 4

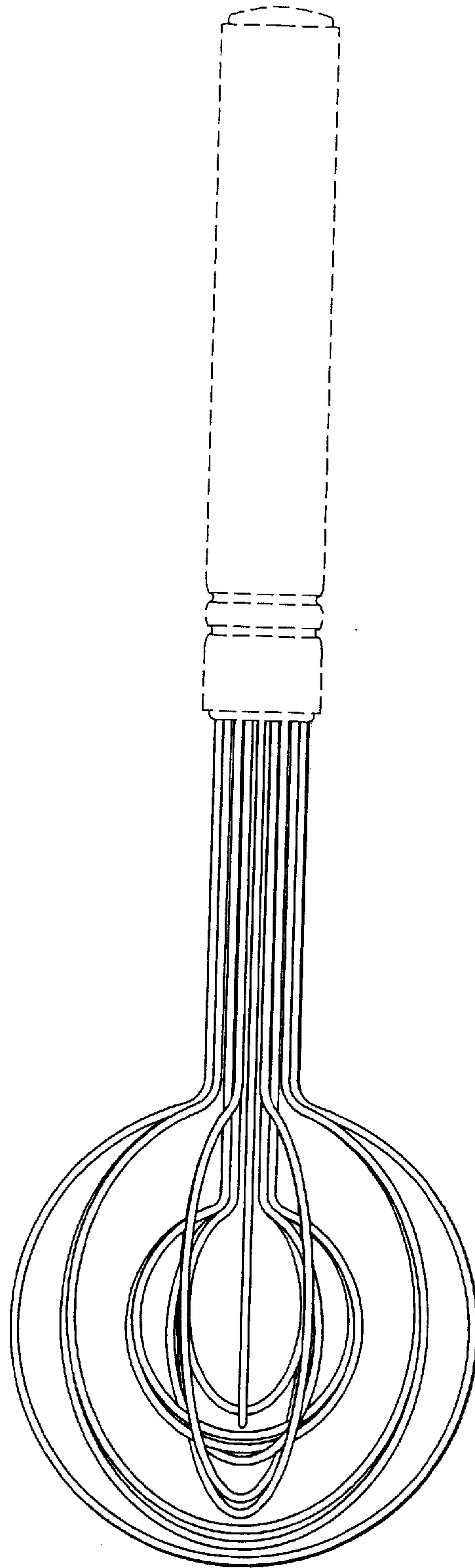


FIG. 5

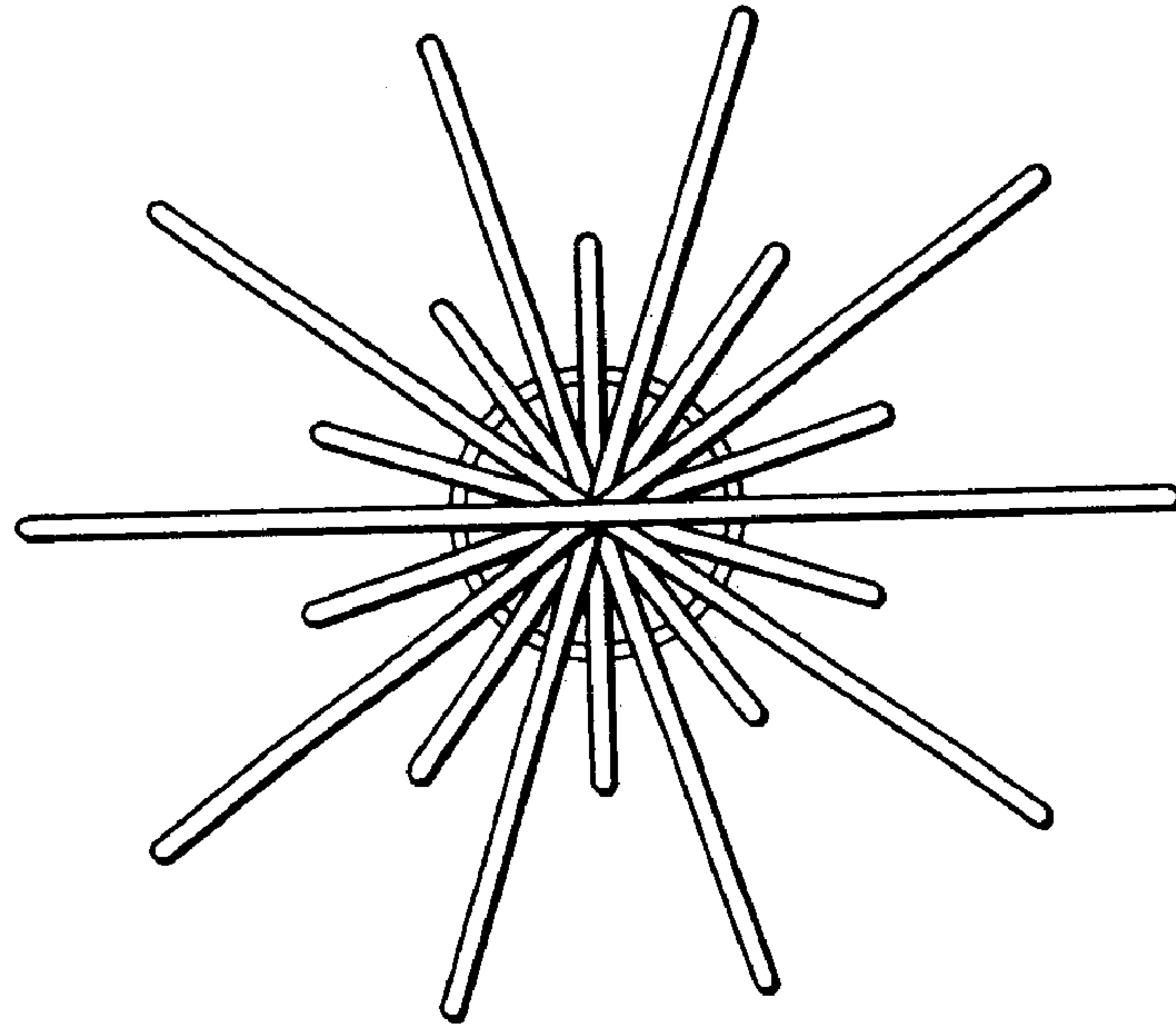


FIG. 6

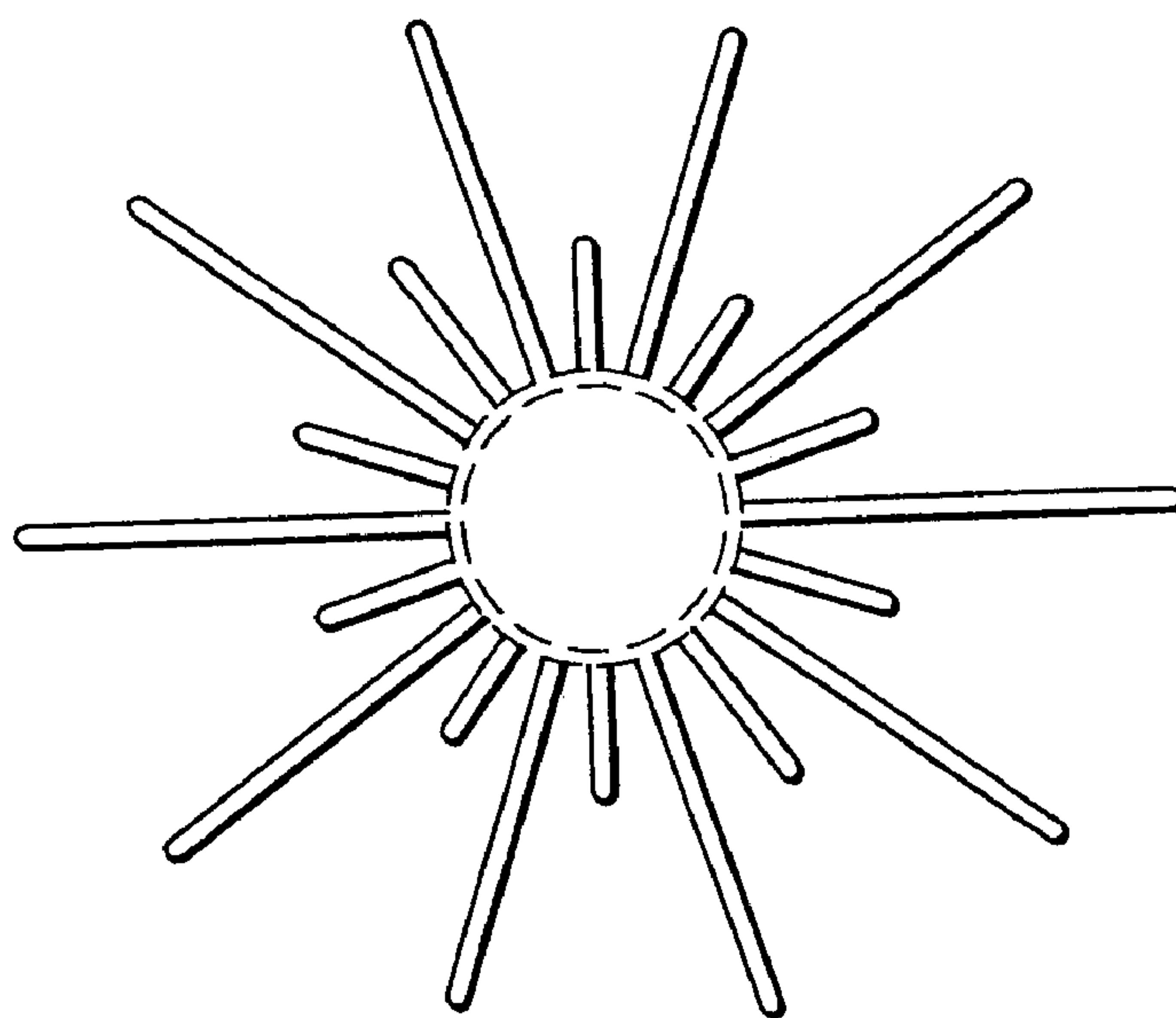


FIG. 7