

US00D542101S

(12) **United States Design Patent**
Fung

(10) **Patent No.:** **US D542,101 S**

(45) **Date of Patent:** **** May 8, 2007**

(54) **COOKING UTENSIL**

(75) Inventor: **Kwok Onn Fung**, GuangDong (CN)

(73) Assignee: **Maxpat Trading & Marketing (Far East) Limited**, Hong Kong (HK)

(**) Term: **14 Years**

(21) Appl. No.: **29/248,574**

(22) Filed: **Aug. 22, 2006**

(30) **Foreign Application Priority Data**

Mar. 23, 2006 (EM) 000504295

(51) **LOC (8) Cl.** **07-02**

(52) **U.S. Cl.** **D7/690**

(58) **Field of Classification Search** D7/690,
D7/376-380, 412, 688; 366/129, 130, 342-344,
366/325.6, 236.1; 416/69, 70 R, 71, 72, 76,
416/77, 227 R, 230, 240, 241 R, 241 A;
99/348

See application file for complete search history.

(56) **References Cited**

U.S. PATENT DOCUMENTS

881,268 A * 3/1908 Tuson 241/301

1,910,302 A * 5/1933 Maslow 416/70 R
2,714,909 A * 8/1955 Bryn 241/166
4,735,510 A * 4/1988 Barbour et al. 366/343
D296,970 S * 8/1988 Bruckner D7/682

* cited by examiner

Primary Examiner—Terry A. Wallace

(74) *Attorney, Agent, or Firm*—Ostrolenk, Faber, Gerb & Soffen, LLP

(57) **CLAIM**

The ornamental design for a cooking utensil, as shown and described.

DESCRIPTION

FIG. 1 is a top, front perspective view of a cooking utensil showing my new design;

FIG. 2 is a front view thereof;

FIG. 3 is a rear view thereof;

FIG. 4 is a side view thereof;

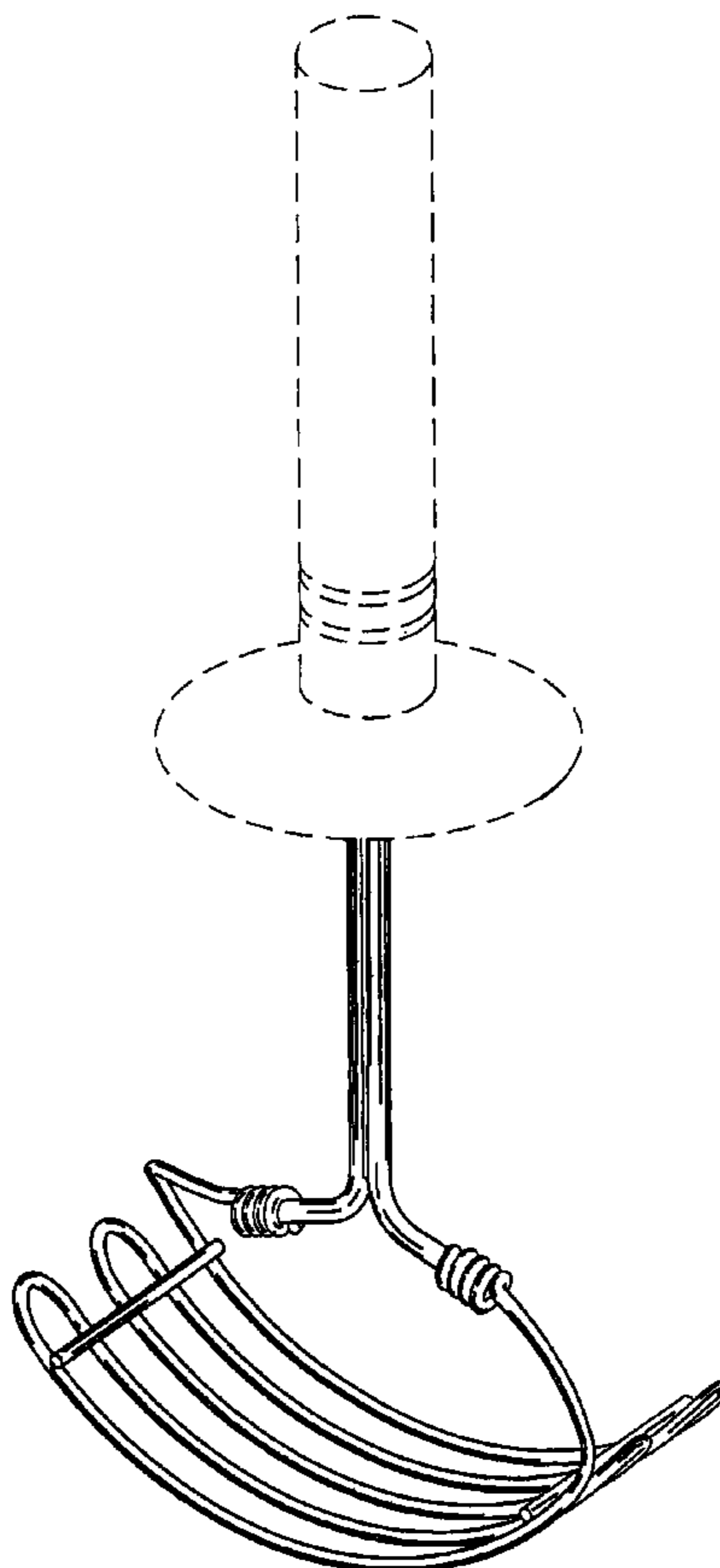
FIG. 5 is an opposite side view thereof;

FIG. 6 is a bottom view thereof; and,

FIG. 7 is a top view thereof.

The broken lines in the drawings illustrate environmental structure and form no part of the design.

1 Claim, 7 Drawing Sheets



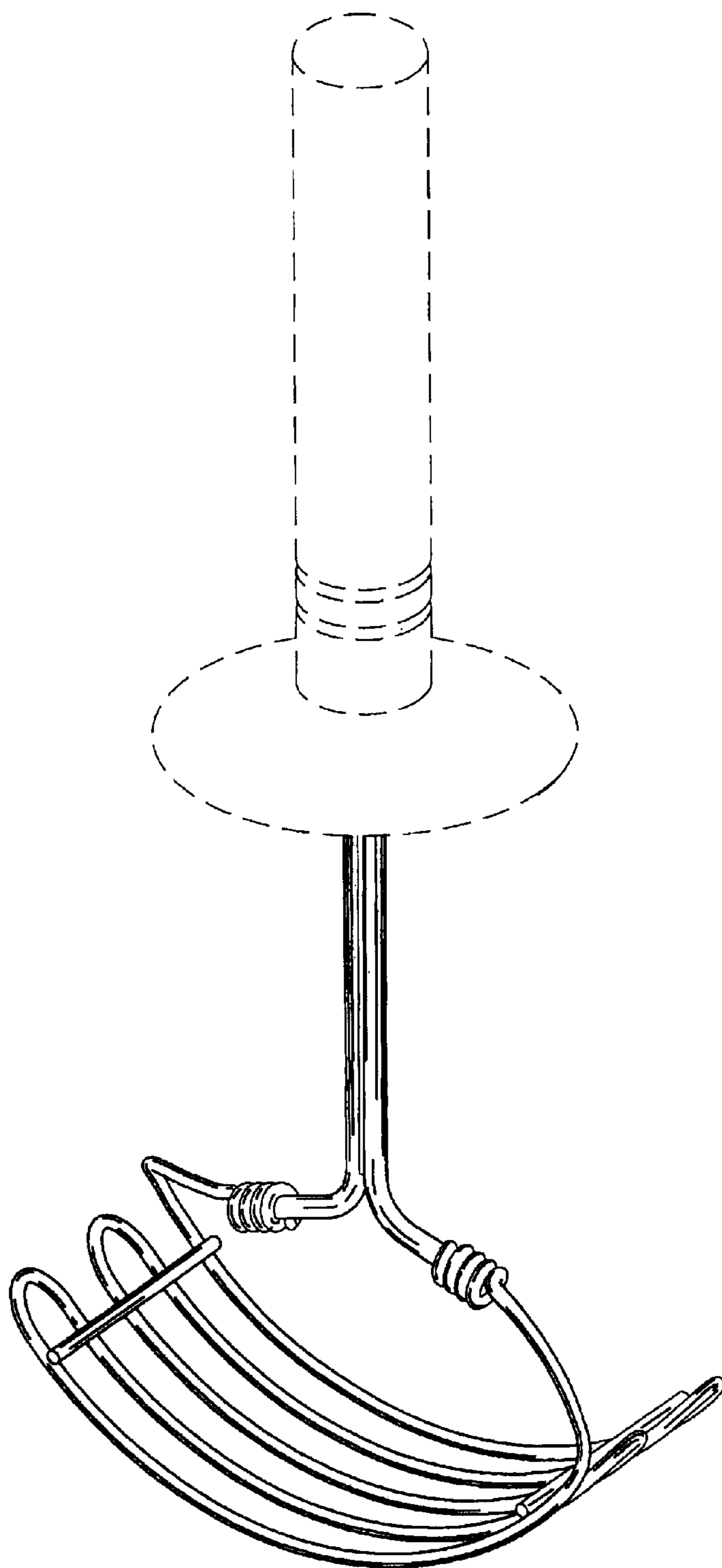


FIG. 1

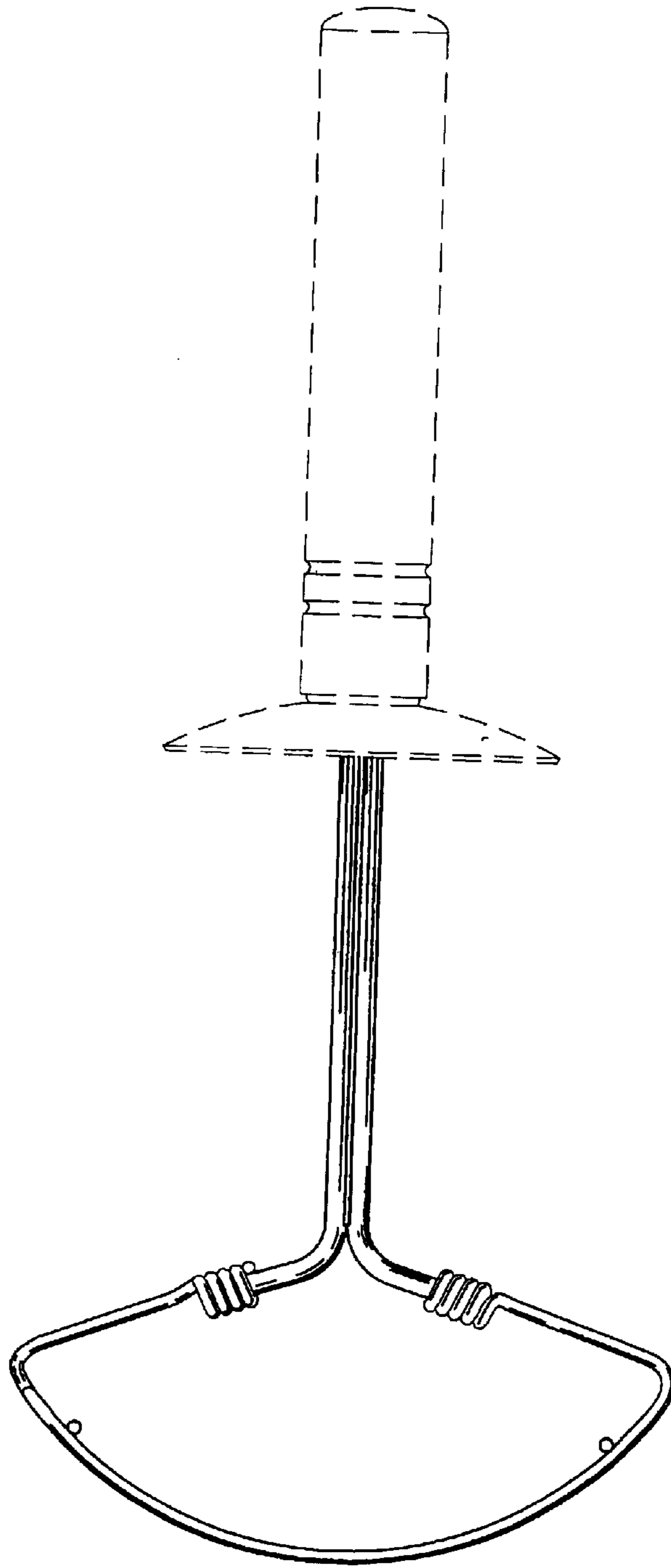


FIG. 2

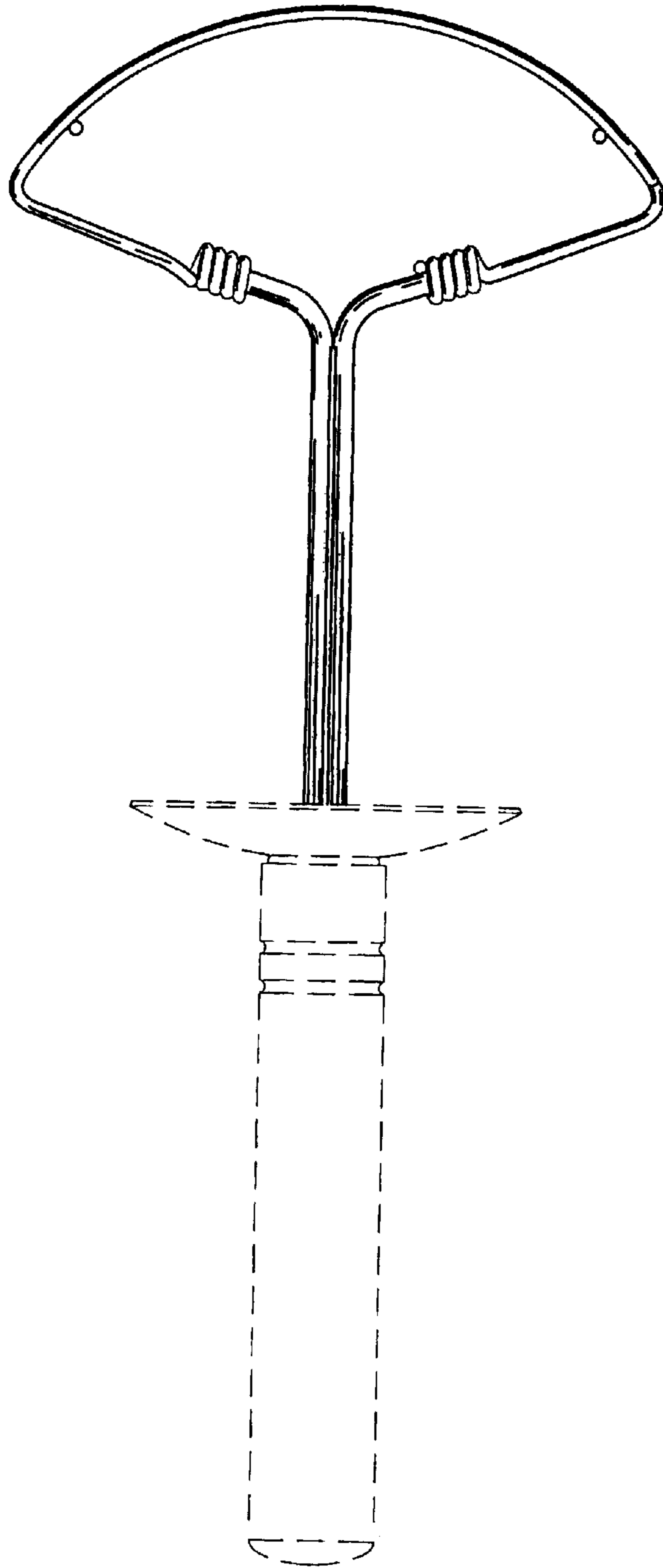


FIG. 3

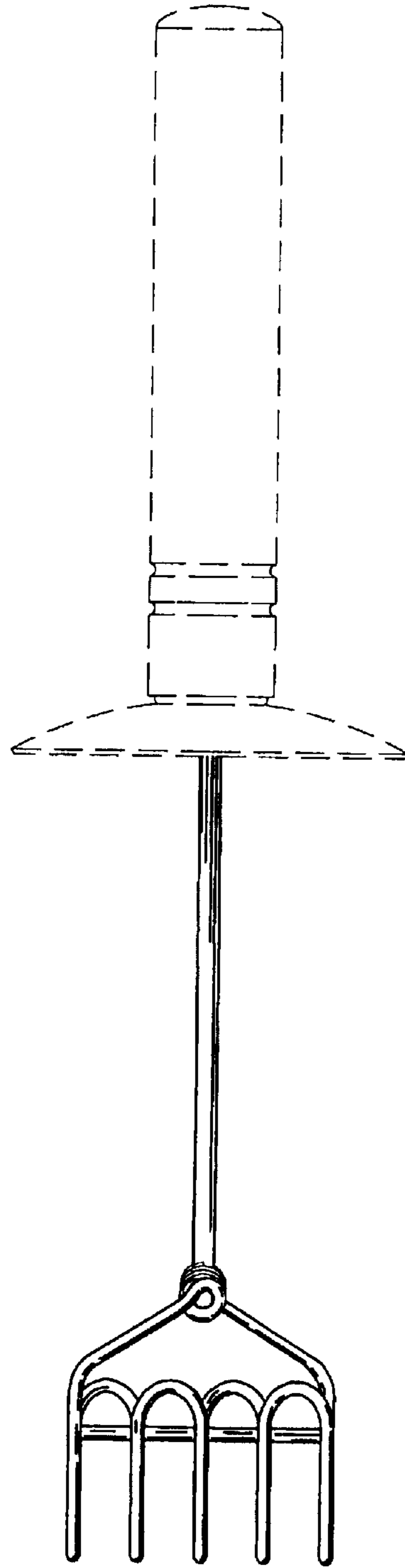


FIG. 4

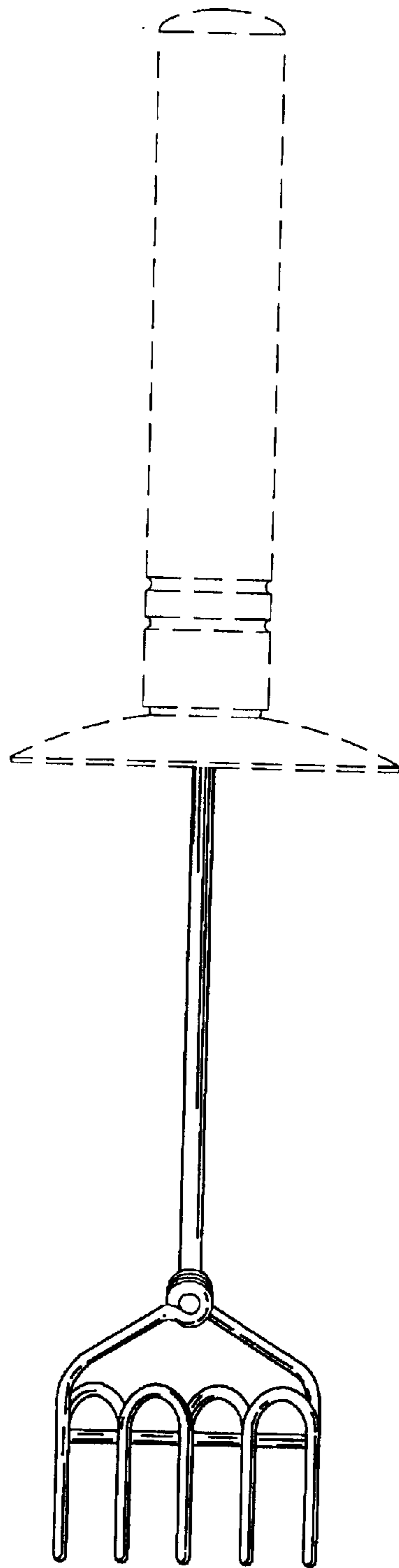


FIG. 5

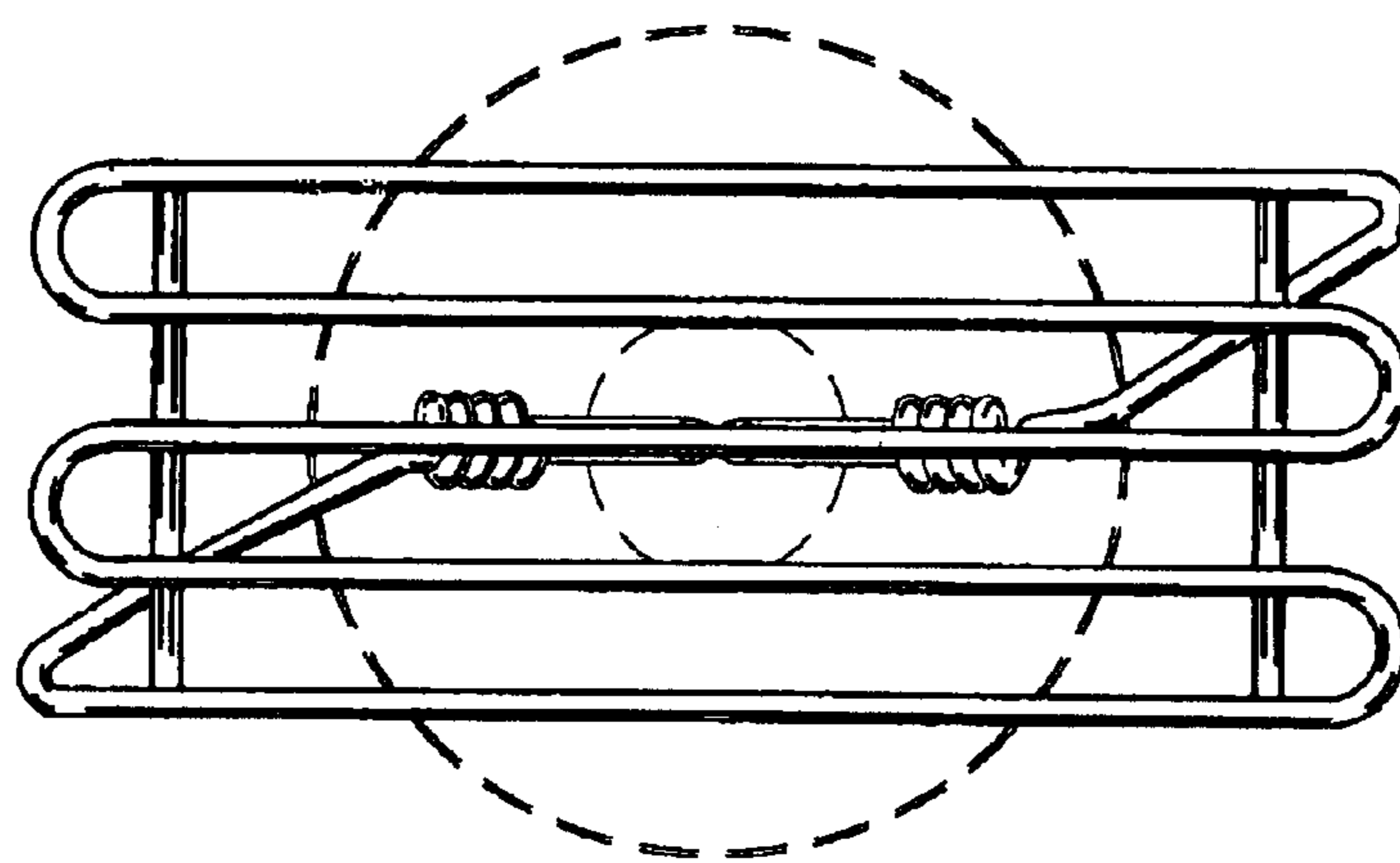


FIG. 6

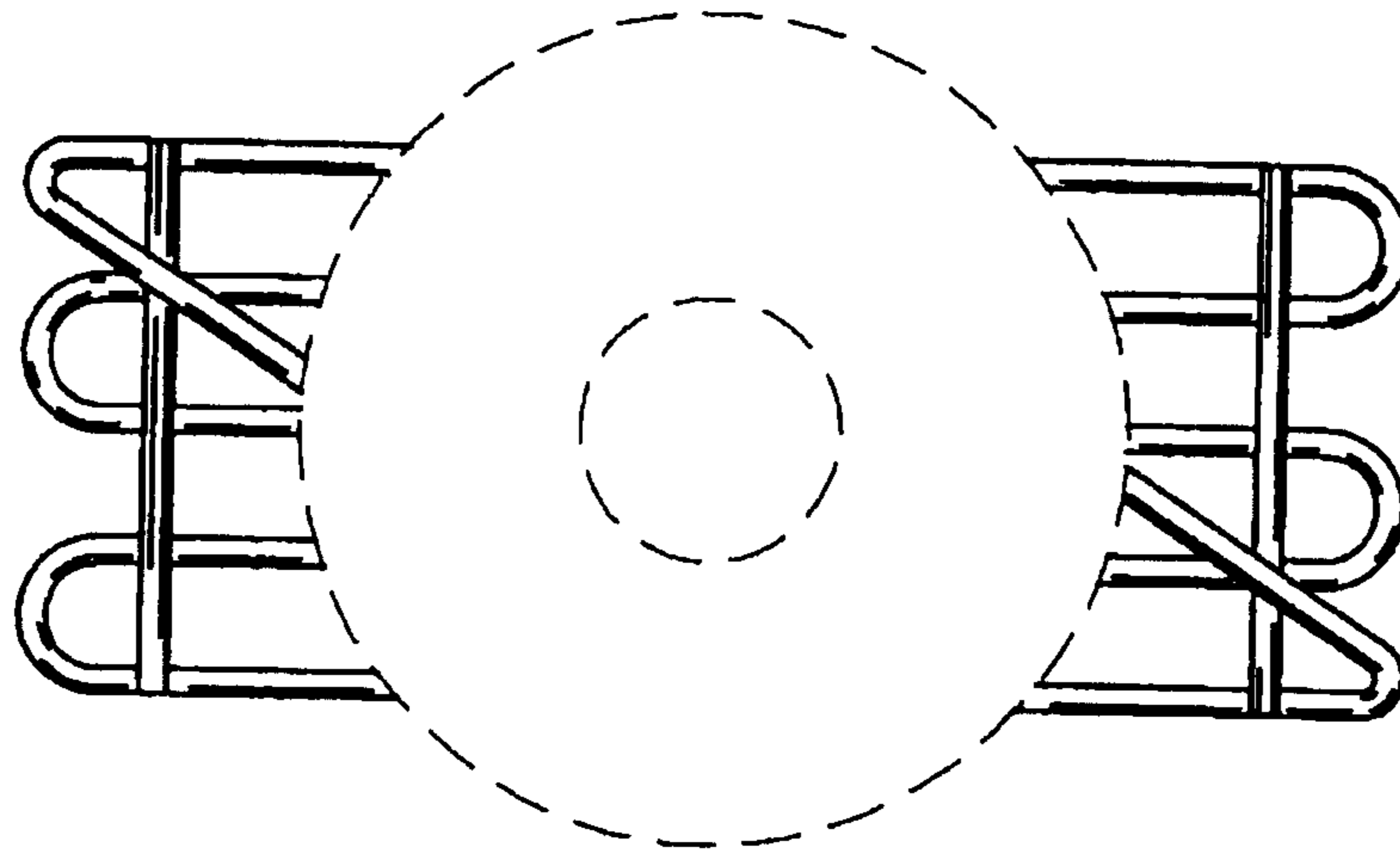


FIG. 7