



US00D542100S

(12) **United States Design Patent**  
**Kim**

(10) **Patent No.:** **US D542,100 S**

(45) **Date of Patent:** **\*\* May 8, 2007**

(54) **CONTAINER FOR STORING FOODS**

(75) Inventor: **Chang-Ho Kim**, Incheon (KR)

(73) Assignee: **Hana Cobi Co., Ltd.**, Seoul (KR)

(\*\*) Term: **14 Years**

(21) Appl. No.: **29/254,170**

(22) Filed: **Feb. 21, 2006**

(30) **Foreign Application Priority Data**

Jan. 19, 2006 (KR) ..... 30-2006-0002298

(51) **LOC (8) Cl.** ..... **07-01**

(52) **U.S. Cl.** ..... **D7/629**

(58) **Field of Classification Search** ..... D7/317-319,  
D7/391-392.1, 396.2, 510-511, 550.1, 601-602,  
D7/629; D9/414, 418, 420-425, 428-430,  
D9/435, 436, 440-454, 503-504; D3/273-274;  
206/216, 457, 508, 541, 557, 822; 215/200,  
215/211, 224, 243; 220/213, 351-376, 601,  
220/669, 674, 675, 700-703, 711-715, 719,  
220/783, 789, 790, 796, 797; 229/108, 114,  
229/116.1, 120.14, 122.27, 406, 407, 902-906,  
229/938; 426/106, 129, 130

See application file for complete search history.

(56) **References Cited**

**U.S. PATENT DOCUMENTS**

D277,632 S \* 2/1985 Staufenberg ..... D7/629  
D388,325 S \* 12/1997 Tucker et al. .... D9/425

D411,741 S \* 6/1999 Wilson et al. .... D9/425  
D428,777 S \* 8/2000 Hayes et al. .... D7/629  
D440,830 S \* 4/2001 Tucker et al. .... D7/629  
D445,650 S \* 7/2001 Maxwell et al. .... D7/629  
D446,077 S \* 8/2001 Tucker et al. .... D7/392.1  
D448,606 S \* 10/2001 Conti ..... D7/392.1  
D448,991 S \* 10/2001 Zettle et al. .... D9/425  
6,305,546 B1 \* 10/2001 Saunders et al. .... 206/541  
D450,983 S \* 11/2001 Tucker et al. .... D7/629  
D462,880 S \* 9/2002 Maxwell et al. .... D7/629  
D485,473 S \* 1/2004 Dais et al. .... D7/629

\* cited by examiner

*Primary Examiner*—Cathron C. Brooks

*Assistant Examiner*—Ricky Pham

(74) *Attorney, Agent, or Firm*—Birch, Stewart, Kolasch & Birch, LLP

(57) **CLAIM**

The ornamental design for container for storing foods, as shown.

**DESCRIPTION**

FIG. 1 is a Perspective view of the container for storing foods showing my new design;  
FIG. 2 is a front view thereof;  
FIG. 3 is a rear view thereof;  
FIG. 4 is a left side view thereof;  
FIG. 5 is a right side view thereof;  
FIG. 6 is a top side view thereof; and,  
FIG. 7 is a bottom side view thereof.

**1 Claim, 4 Drawing Sheets**

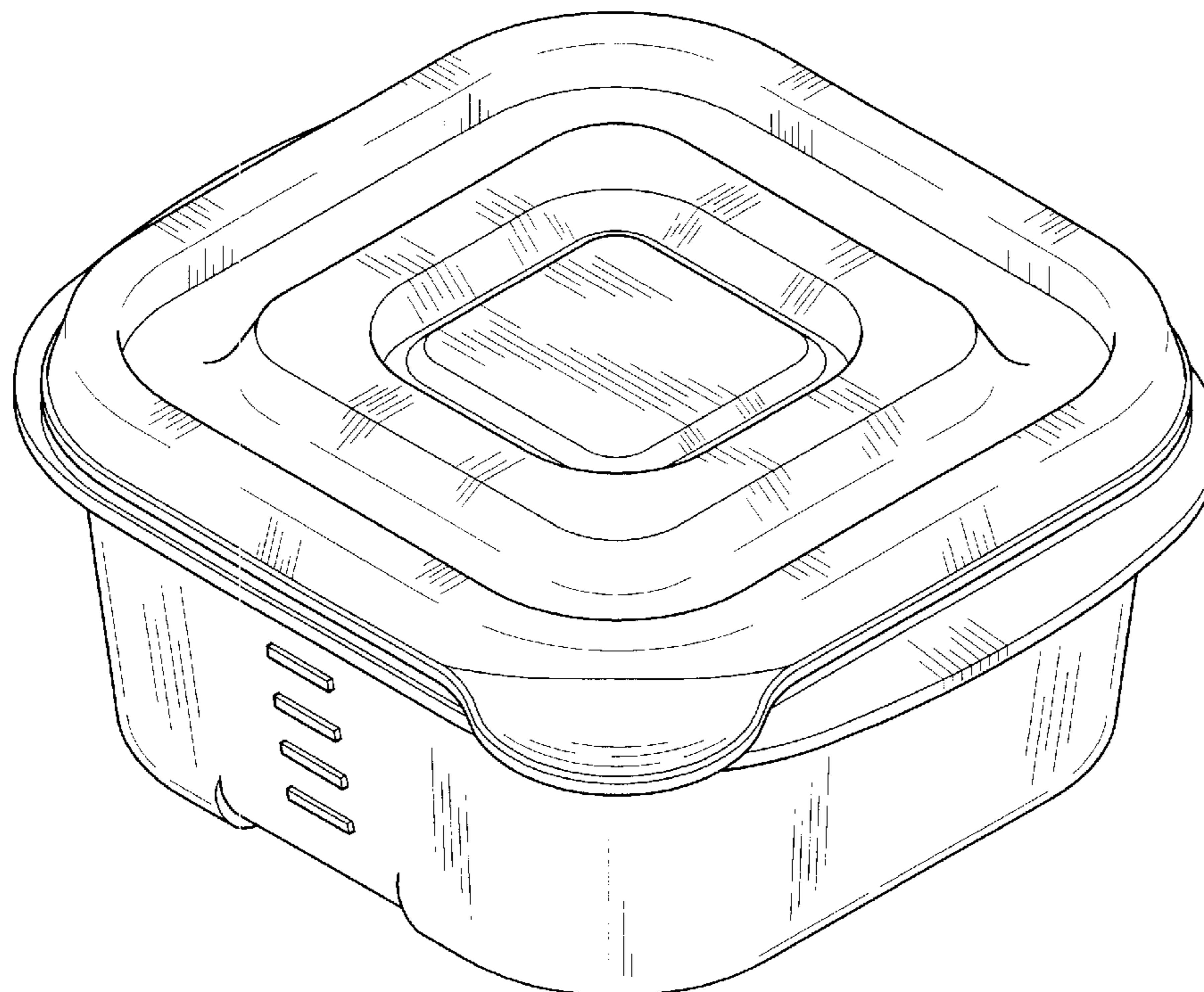


Fig. 1

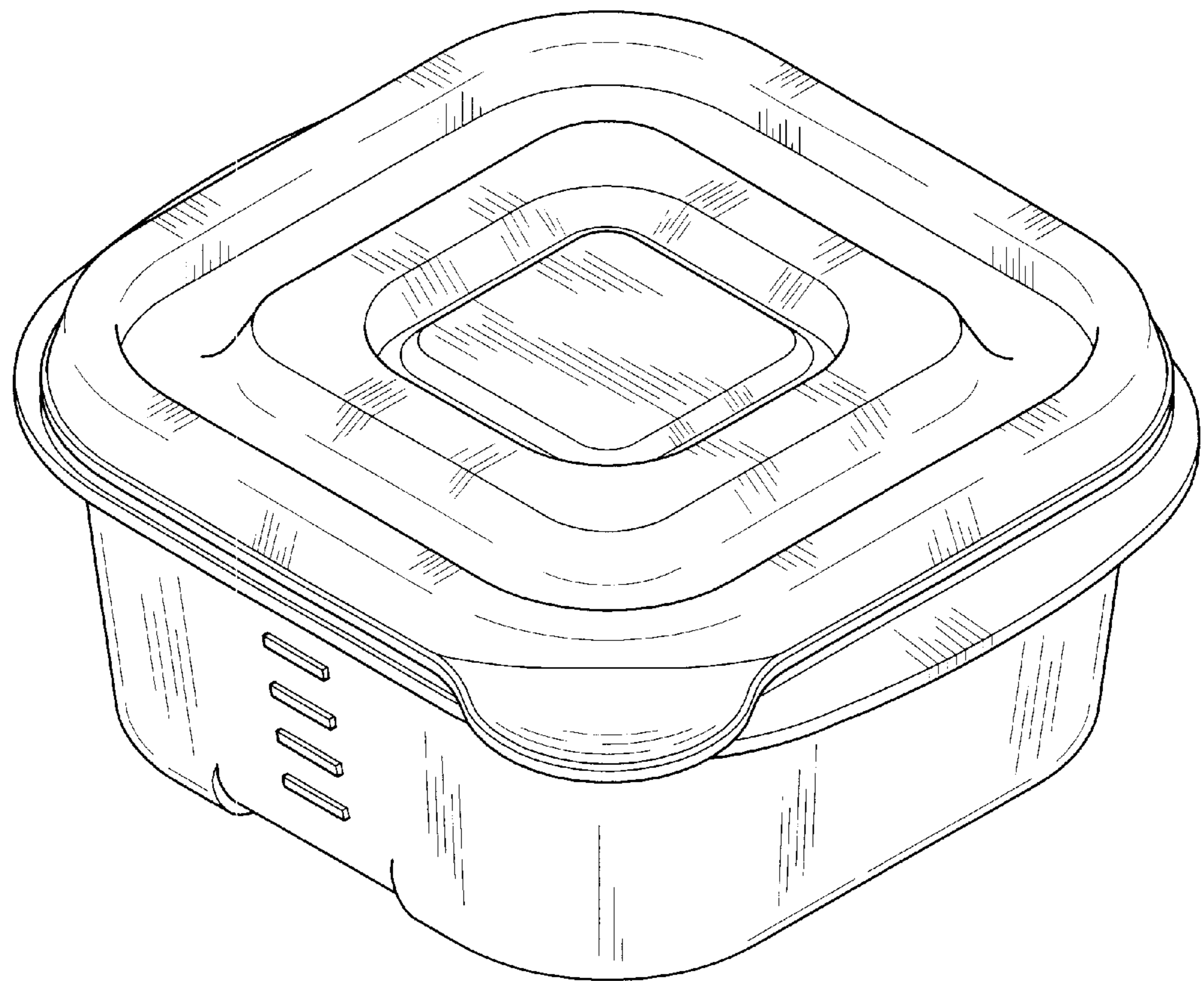


Fig.2

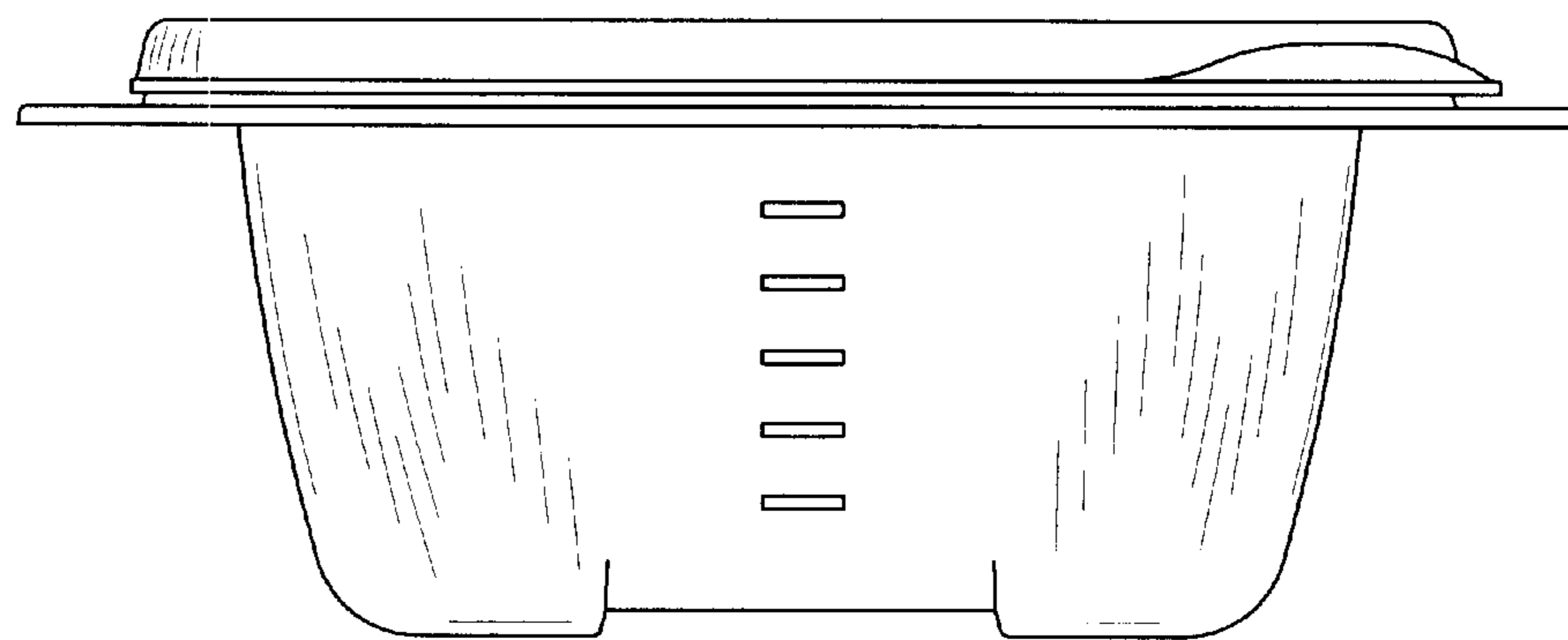


Fig.3

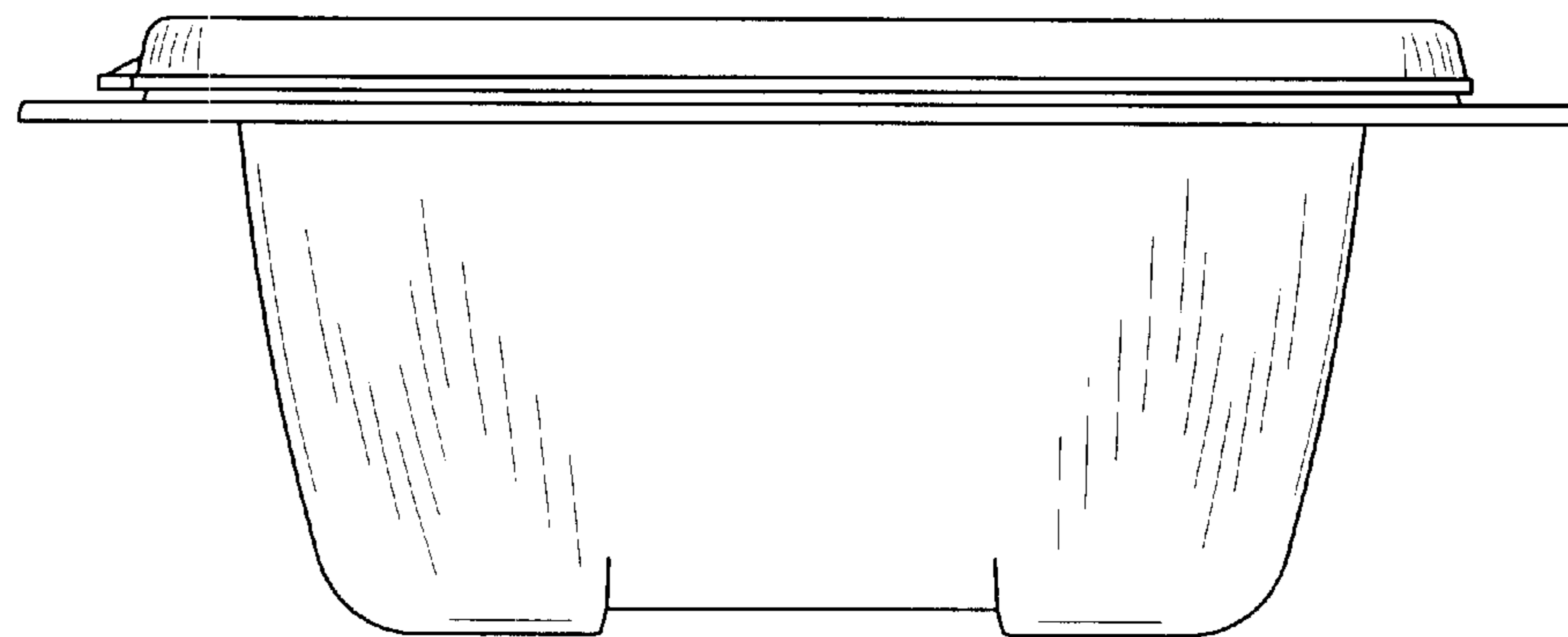


Fig.4

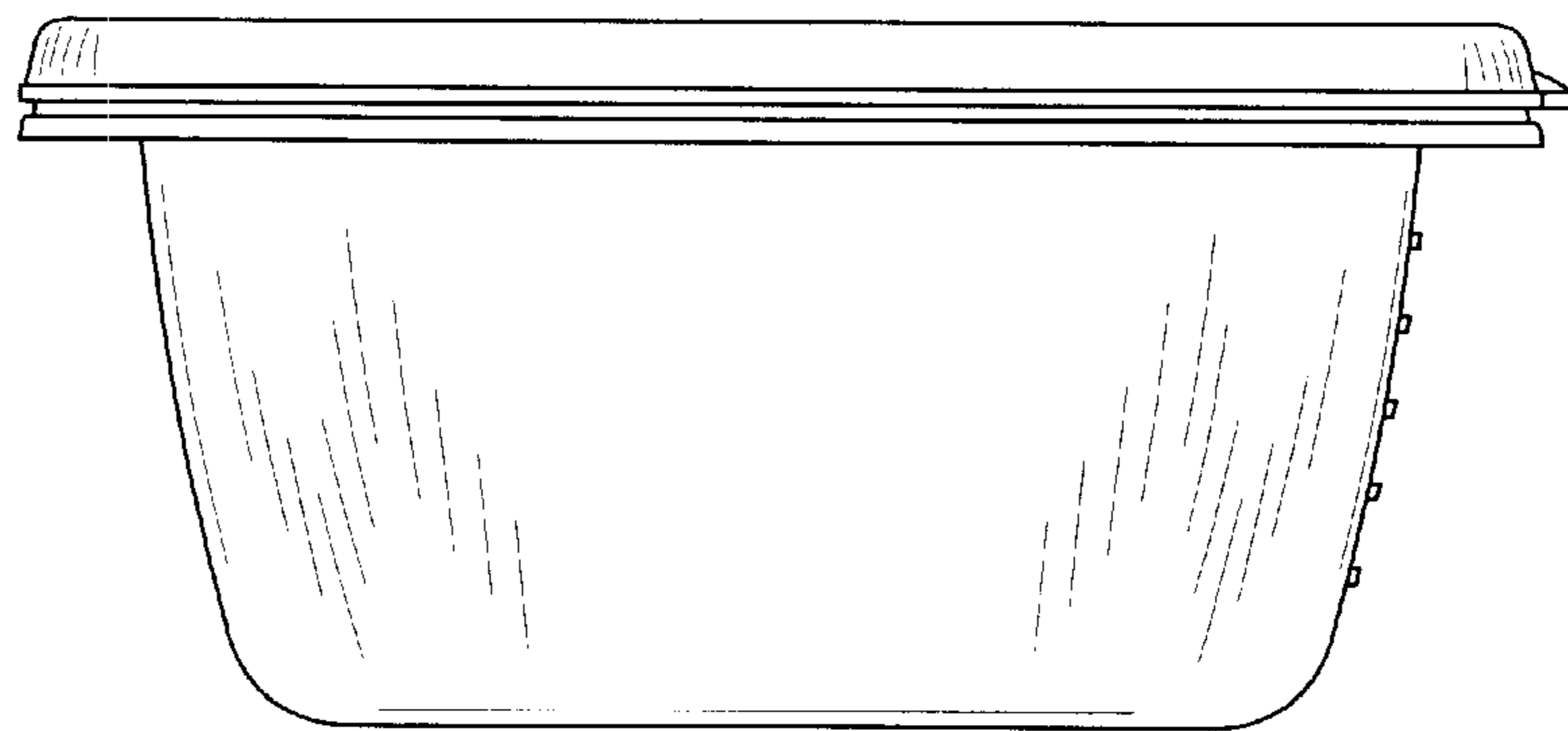


Fig.5

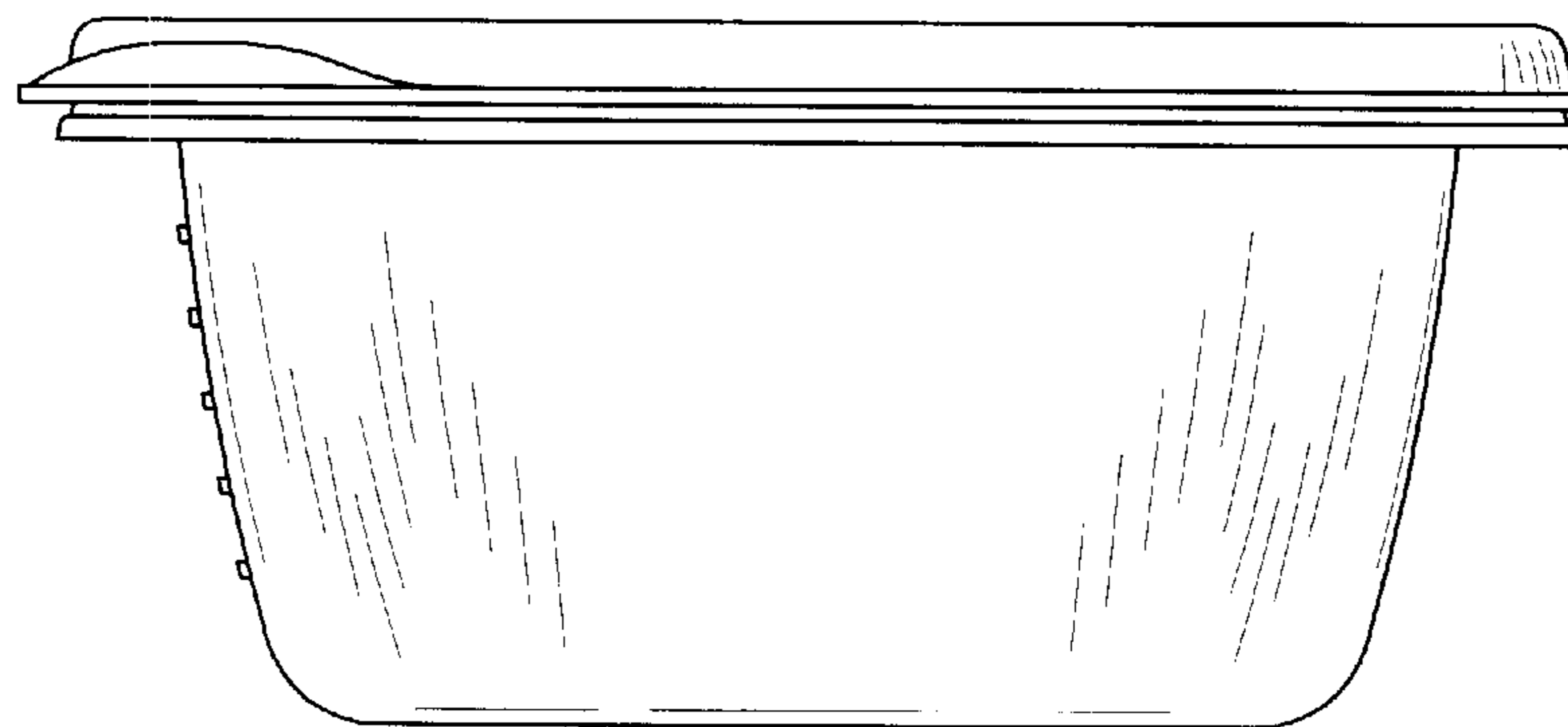


Fig.6

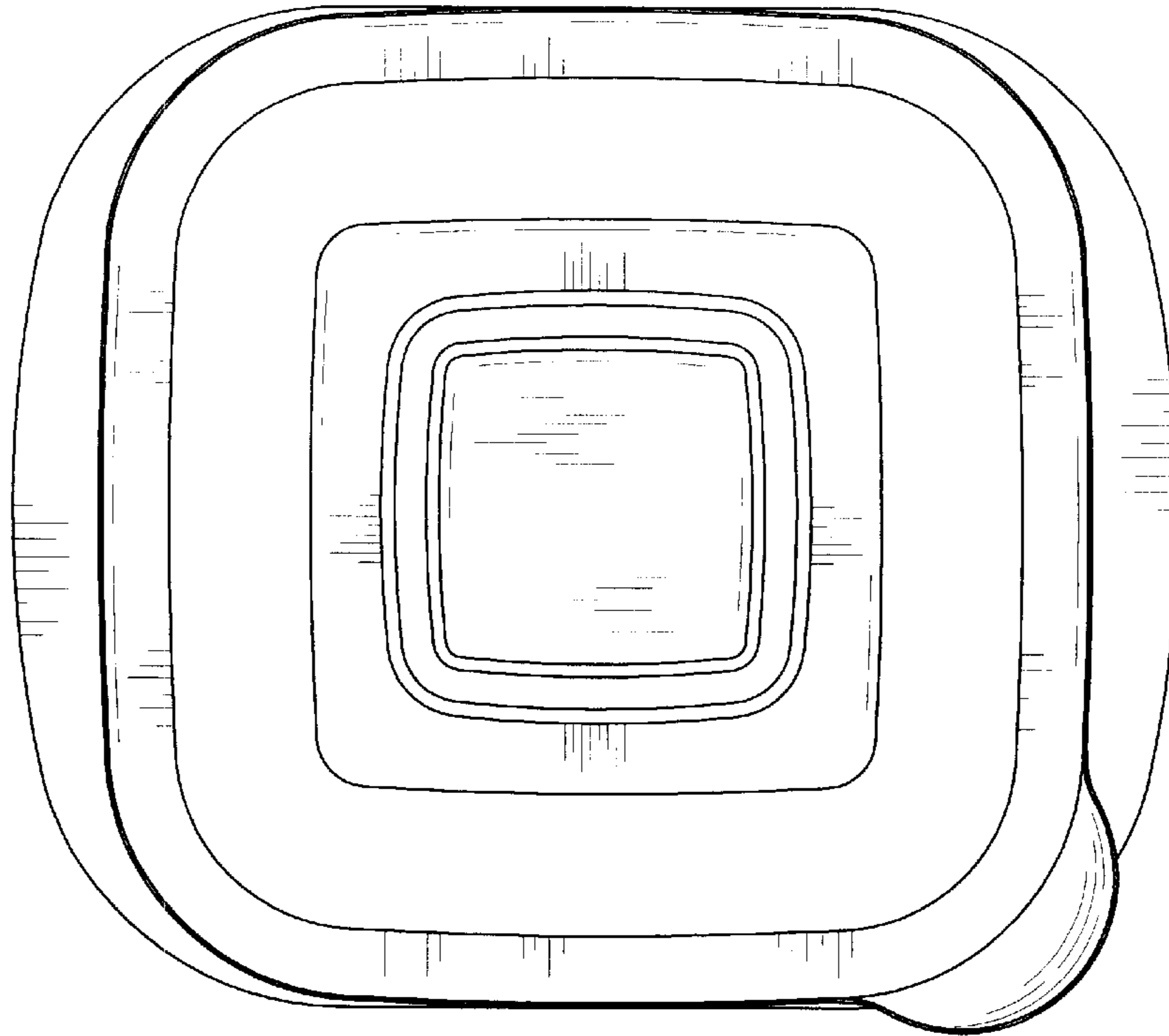


Fig.7

