



US00D542097S

(12) **United States Design Patent**  
**Wasserman et al.**

(10) **Patent No.:** **US D542,097 S**

(45) **Date of Patent:** **\*\* May 8, 2007**

(54) **DOUBLE WALLED METALLIC BOWL**

(75) Inventors: **David M. Wasserman**, Whitefish Bay, WI (US); **Rebecca J. Schreiber-Pethan**, Sheboygan, WI (US)

(73) Assignee: **The Vollrath Company, L.L.C.**, Sheboygan, WI (US)

(\*\*) Term: **14 Years**

(21) Appl. No.: **29/239,298**

(22) Filed: **Sep. 28, 2005**

(51) **LOC (8) Cl.** ..... **07-01**

(52) **U.S. Cl.** ..... **D7/566; 7/558; 7/523**

(58) **Field of Classification Search** ..... D7/500,  
D7/503, 521, 523, 524, 526-528, 540, 542,  
D7/545, 546, 550.1, 553.6, 554.1, 554.3,  
D7/566, 558, 543, 387, 554.4, 557, 563, 565,  
D7/568, 570, 572, 530, 531, 584, 586, 587,  
D7/601, 602, 642, 397, 401.1, 401.2, 538;  
215/387; 220/574, 703, 592.16, 592.17; 229/116.1,  
229/406

See application file for complete search history.

(56) **References Cited**

**U.S. PATENT DOCUMENTS**

184,814 A	11/1876	Adam	
1,093,648 A	4/1914	Potter	
D50,194 S	1/1917	Haley	
D50,398 S	2/1917	Miller	
D50,401 S	2/1917	Miller	
1,607,864 A	11/1926	Butler	
D75,939 S	7/1928	Tennhardt	
D94,245 S	1/1935	Sebring, Jr. et al.	
2,050,206 A	8/1936	Chaplin	
D204,212 S	* 3/1966	Davis	D9/429
D209,307 S	11/1967	Schilling	
D214,678 S	7/1969	Weeber	
3,792,809 A	2/1974	Schneider et al.	
D230,552 S	* 3/1974	Bengert	D7/524
D234,448 S	* 3/1975	Achenbach	D7/524
D264,791 S	6/1982	Conti	
D264,792 S	6/1982	Conti	

D288,515 S	3/1987	Rimmeir	
D289,245 S	4/1987	Ritman	
D289,246 S	4/1987	Ritman	
D289,717 S	5/1987	Ritman	
D291,757 S	9/1987	Ritman	
D315,658 S	3/1991	Scherer	
D321,815 S	11/1991	Bowdler	
D325,112 S	4/1992	Thompson	
5,172,826 A	12/1992	Celaya	
D340,617 S	10/1993	Douglas	
D345,716 S	4/1994	Kwiatkowski	
D360,558 S	7/1995	Appleman	
D362,155 S	9/1995	Yee	
D362,594 S	9/1995	McEntee	
D367,413 S	2/1996	Ballin	
D371,939 S	7/1996	Rigney	
5,706,980 A	1/1998	Dickerson	
D406,986 S	* 3/1999	Lewis	D7/558
D411,288 S	6/1999	Cuttriss	
5,934,472 A	8/1999	Ramirez et al.	
D424,879 S	5/2000	Biber	
D428,770 S	8/2000	Wellner	

(Continued)

*Primary Examiner*—Philip S. Hyder

*Assistant Examiner*—Cynthia Underwood

(74) *Attorney, Agent, or Firm*—Foley & Lardner LLP

(57) **CLAIM**

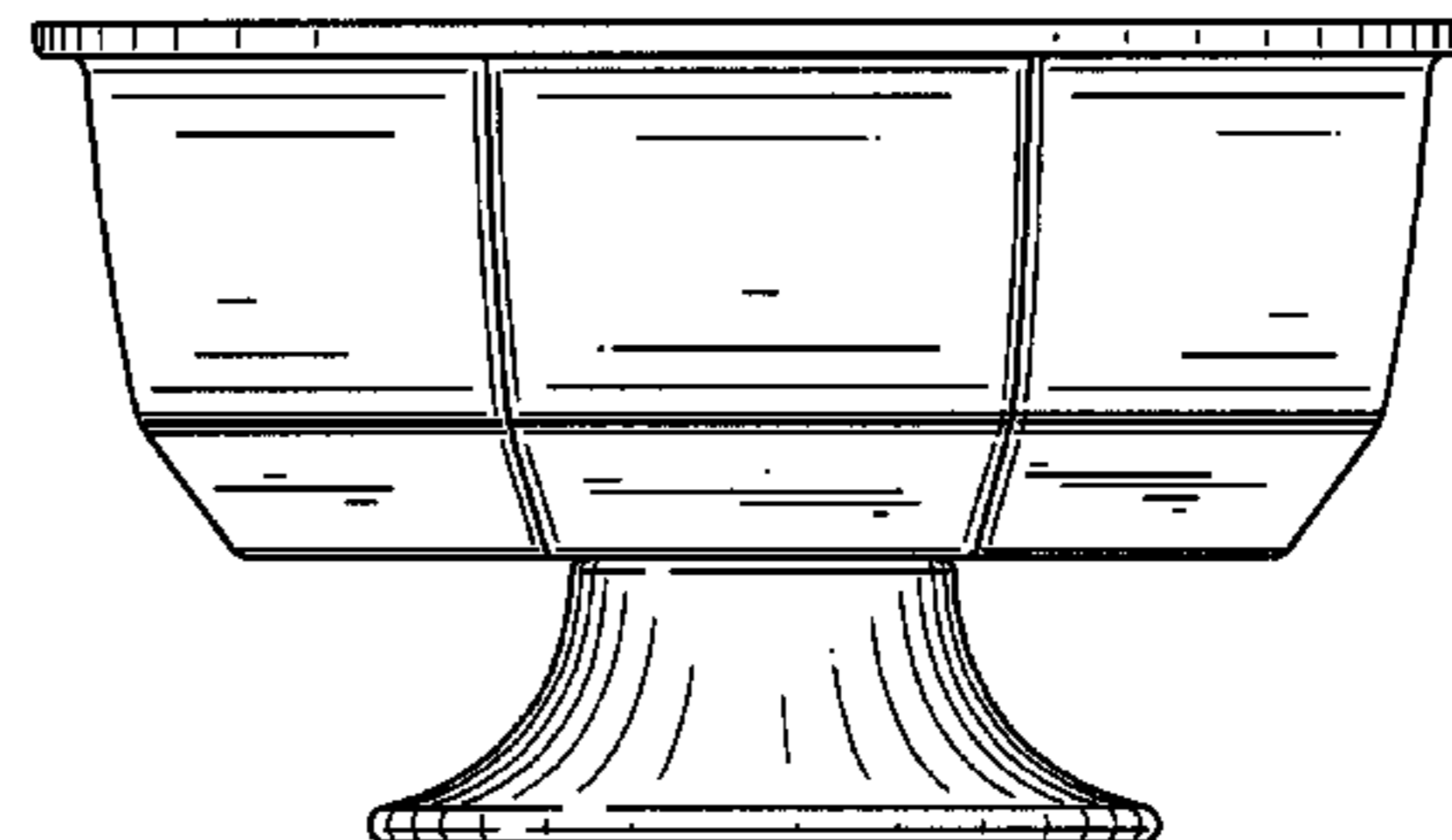
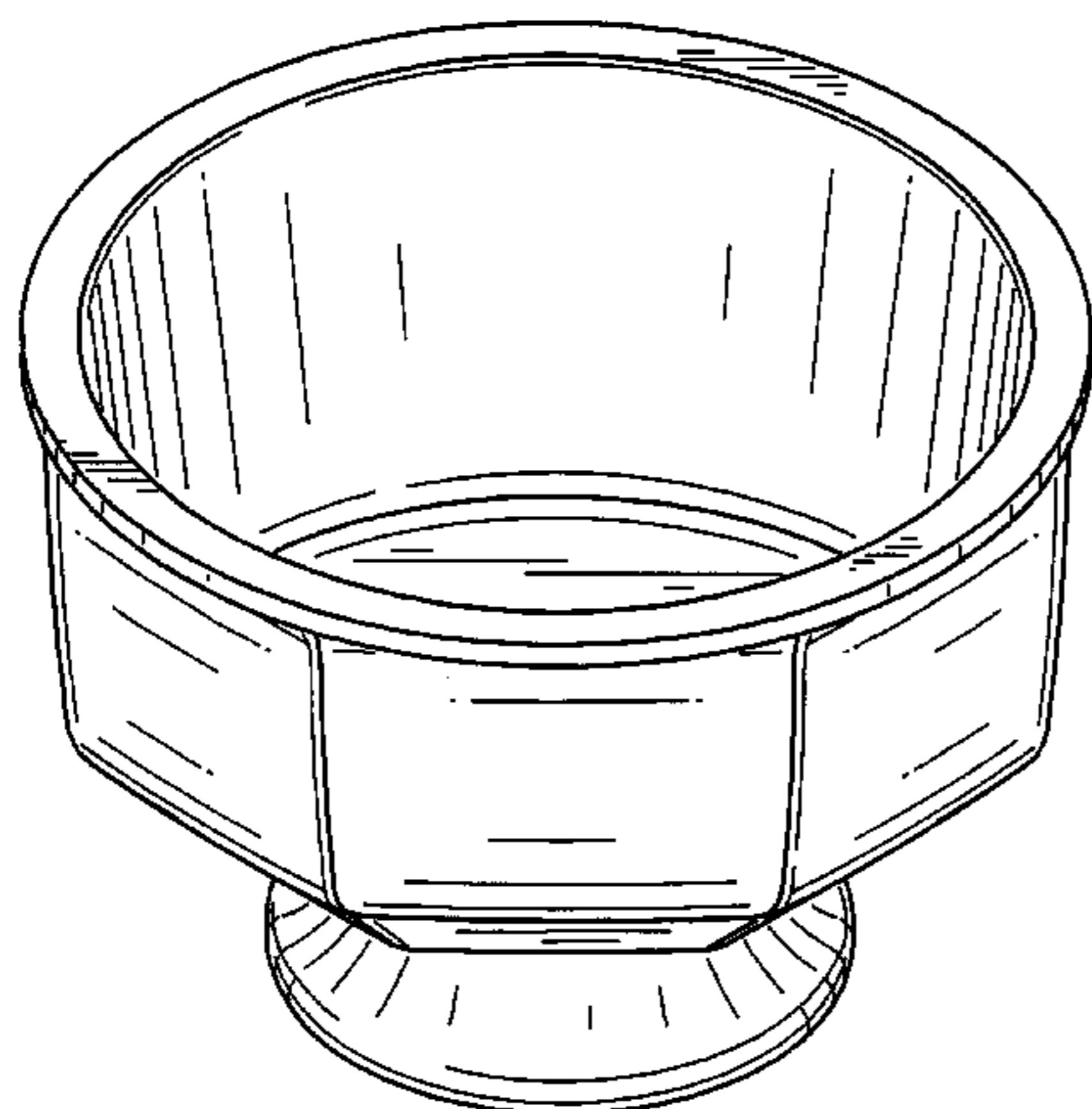
We claim the ornamental design for a double walled metallic bowl, as shown and described.

**DESCRIPTION**

FIG. 1 is a top perspective view of one example of a design for a double walled metallic bowl;  
FIG. 2 is a front elevational view thereof, the rear elevational view, left end elevational view and right end elevational view being the same as the front elevational view shown;  
FIG. 3 is a top plan view thereof;  
FIG. 4 is bottom plan view thereof; and,  
FIG. 5 is a sectional view thereof taken along line 5—5 of FIG. 3.

The ornamental design which is claimed is shown in solid lines in the drawings.

**1 Claim, 3 Drawing Sheets**



# US D542,097 S

Page 2

---

## U.S. PATENT DOCUMENTS

D428,771 S	8/2000	Novi	D471,406 S	3/2003	Wellner
D432,362 S	10/2000	Fait	D478,476 S	8/2003	Wellner
D432,868 S	10/2000	Tan	D478,477 S	8/2003	Tisdale et al.
D442,019 S	5/2001	Wyche	D480,269 S	10/2003	Currier
D442,425 S	5/2001	Wyche	D481,262 S	10/2003	Tisdale et al.
D443,476 S	6/2001	Miura	D485,127 S	1/2004	Maier-Aichen
D456,211 S	4/2002	Price	D488,352 S	4/2004	Tisdale et al.
D457,389 S	5/2002	Snell	D491,019 S	6/2004	Marsden et al.
D458,807 S	6/2002	Trazzi	D494,062 S	8/2004	Willis
D459,946 S	7/2002	Willat	D494,419 S	8/2004	Armer
D471,404 S	3/2003	Gady	D495,211 S	8/2004	Brown et al.

\* cited by examiner

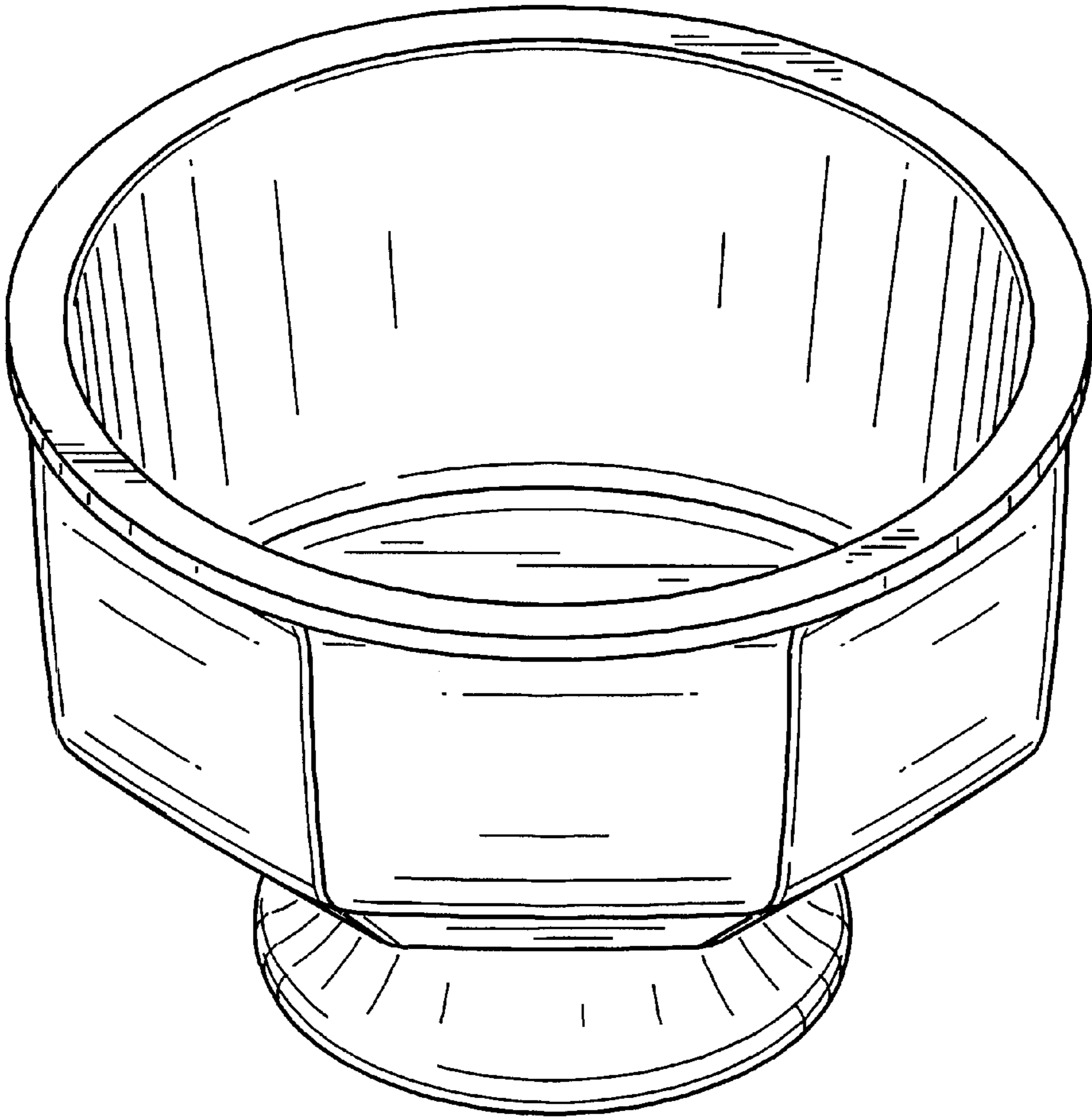


FIG. 1

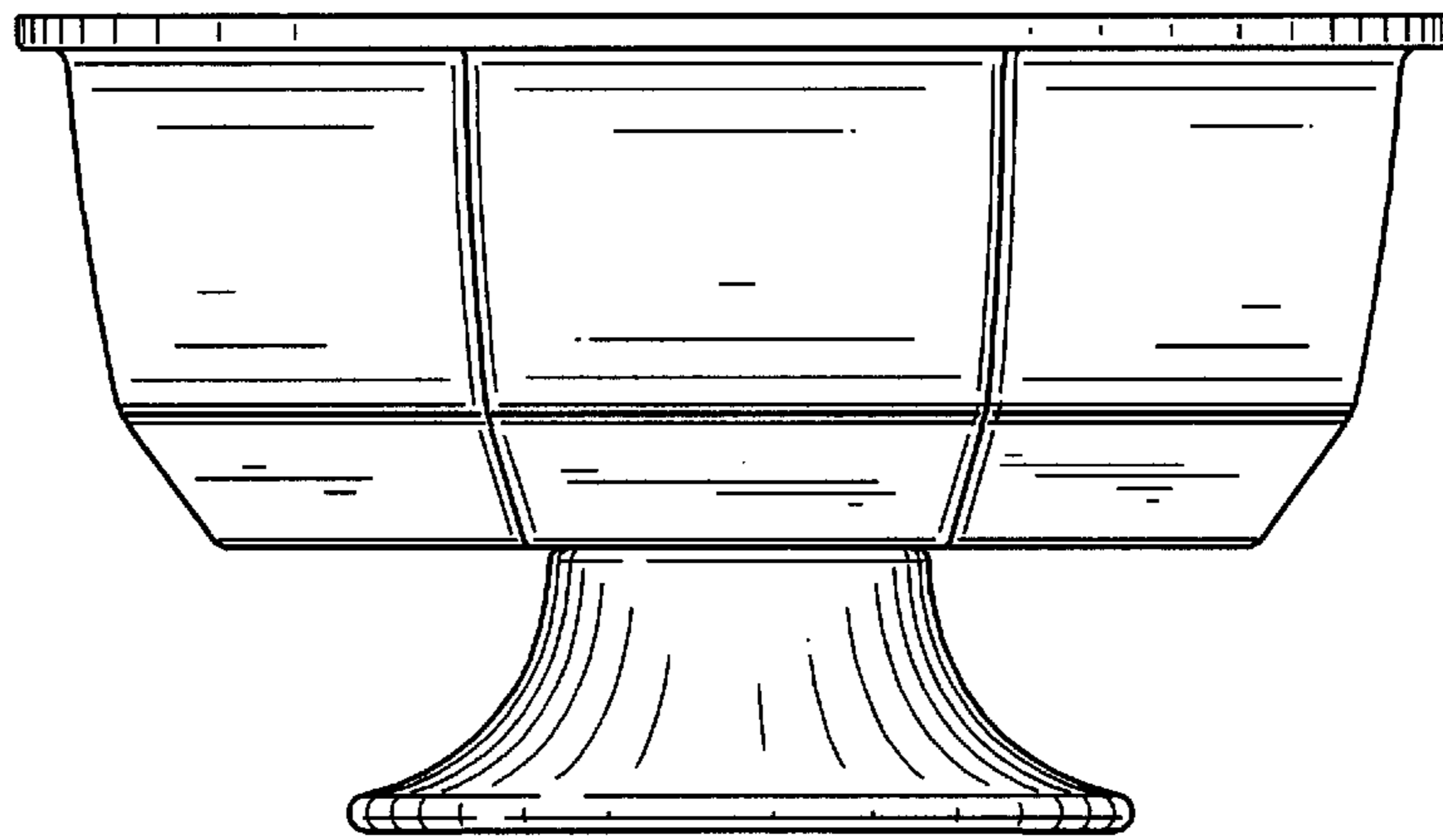


FIG. 2

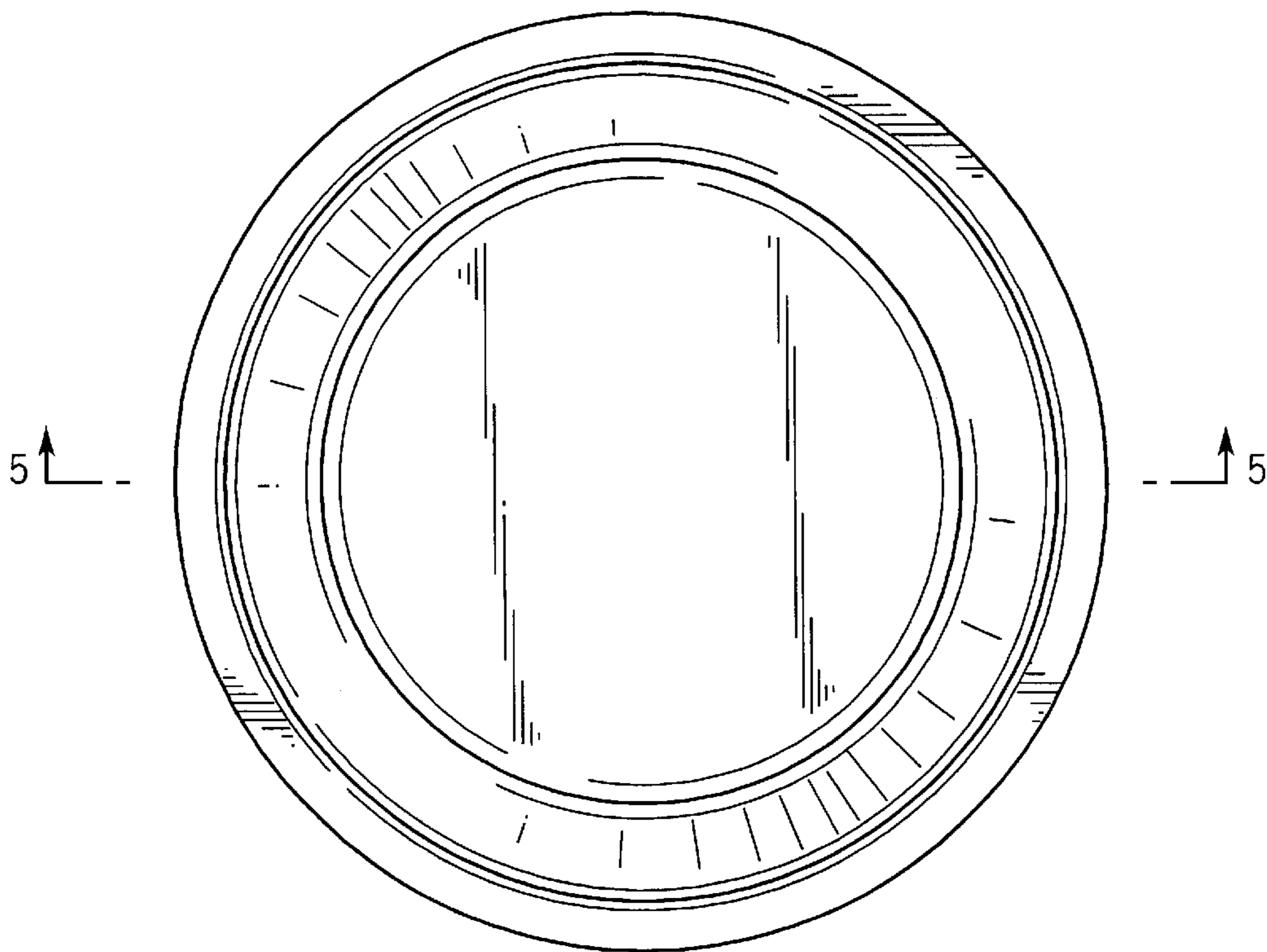


FIG. 3

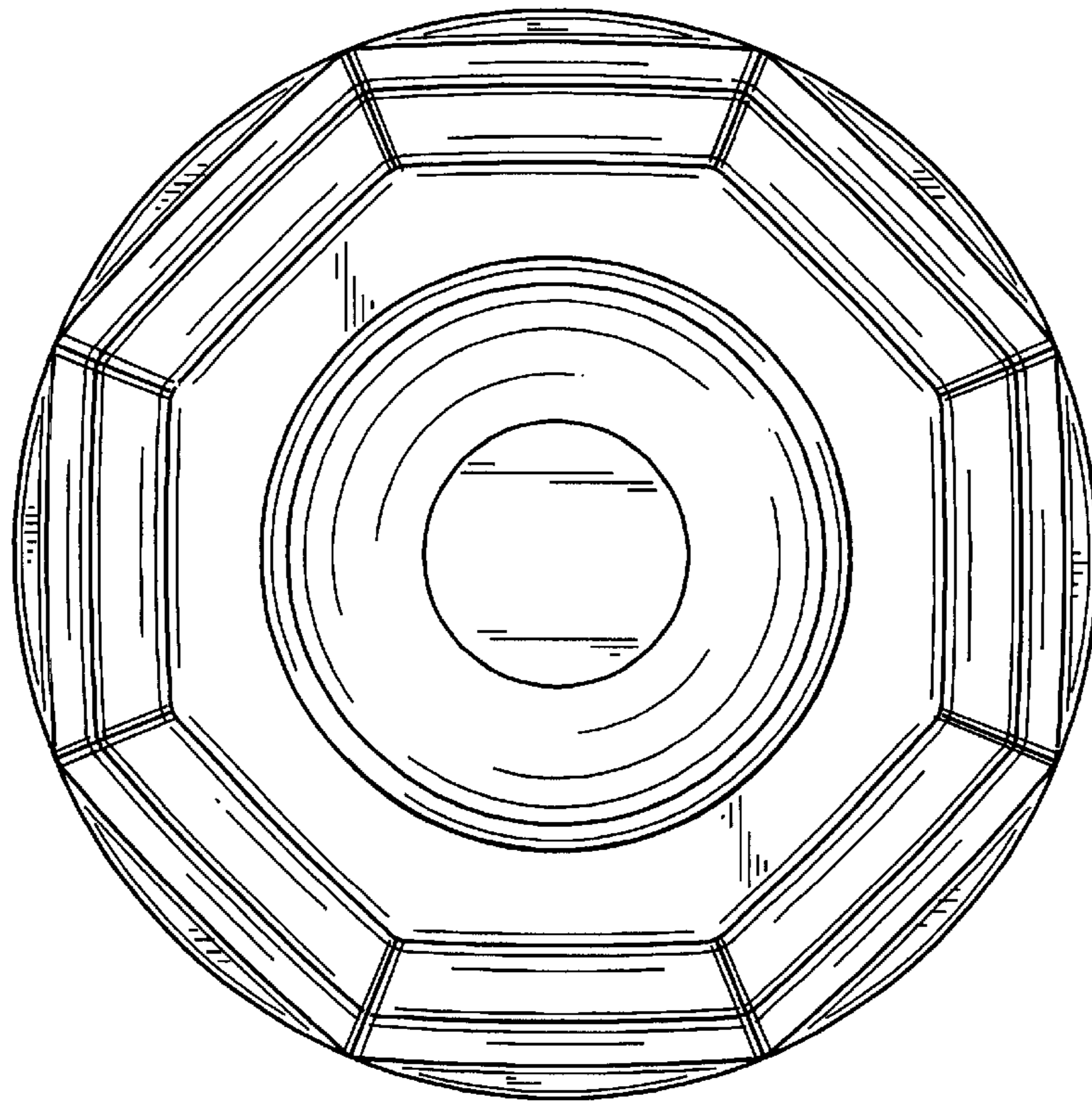


FIG. 4

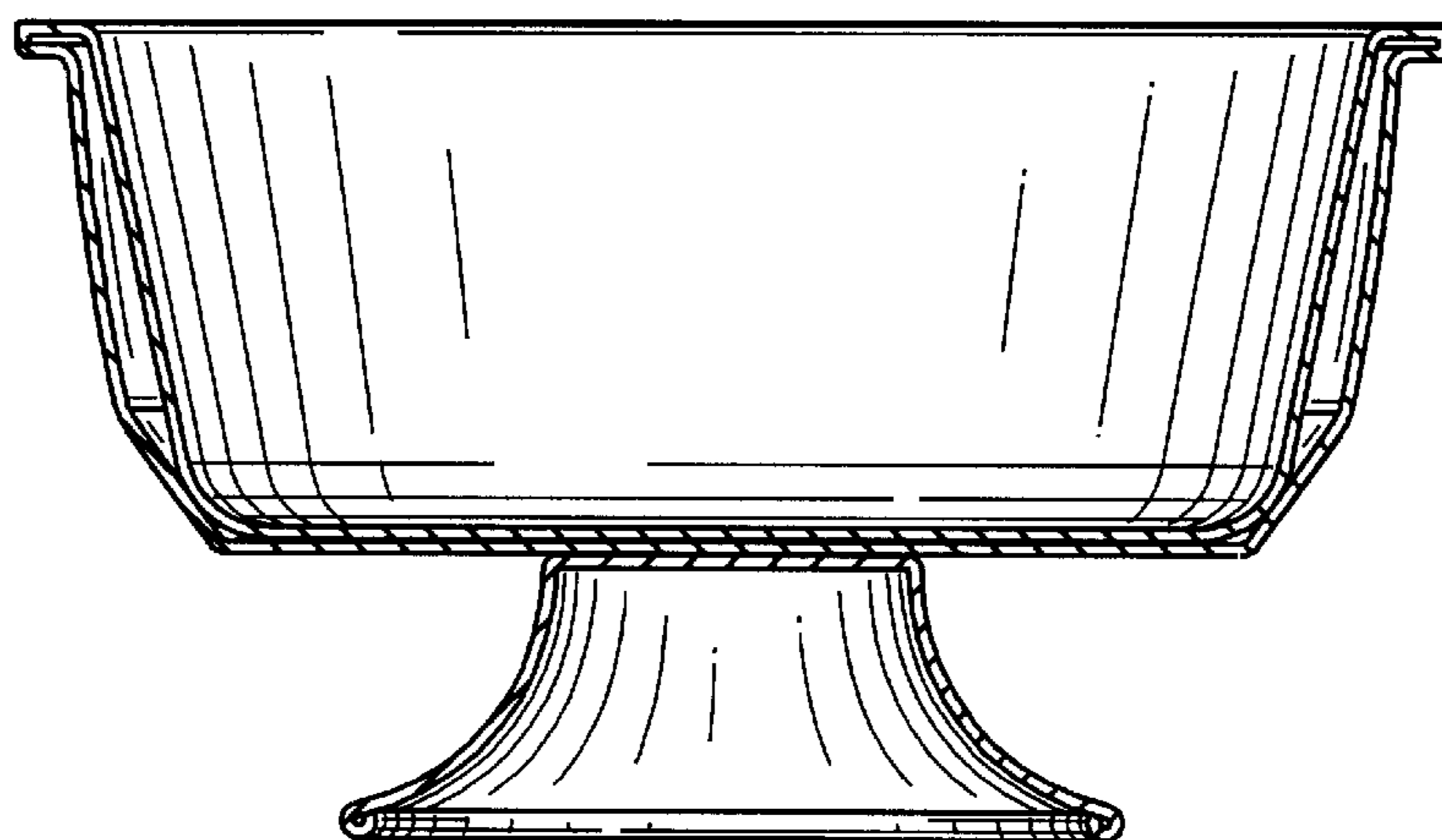


FIG. 5