



US00D542095S

(12) **United States Design Patent**
Orent et al.

(10) **Patent No.:** **US D542,095 S**

(45) **Date of Patent:** **** May 8, 2007**

(54) **DEEP FRYER**

(75) Inventors: **Jill Kreutzer Orent**, Westport, CT
(US); **Genevieve P. Moran**, Hoboken,
NJ (US)

(73) Assignee: **Conair Corporation**, Stamford, CT
(US)

(**) Term: **14 Years**

(21) Appl. No.: **29/254,373**

(22) Filed: **Feb. 22, 2006**

(51) **LOC (8) Cl.** **07-01**

(52) **U.S. Cl.** **D7/560**

(58) **Field of Classification Search** D7/361,
D7/354, 355, 360, 366, 367, 353, 330, 331,
D7/358, 347, 350.3, 336, 338, 339, 359, 350.2,
D7/351, 352, 369; 99/348, 371, 389, 446;
219/620-622

See application file for complete search history.

(56) **References Cited**

U.S. PATENT DOCUMENTS

- D115,168 S * 6/1939 Hadley D7/360
- D169,576 S * 5/1953 Budlane et al. D7/360
- D305,971 S * 2/1990 Janssens D7/360
- D364,309 S * 11/1995 Cesaroni et al. D7/350.2
- D365,723 S * 1/1996 Powell D7/354
- D366,592 S * 1/1996 Cesaroni et al. D7/360

- D395,786 S * 7/1998 Rossi D7/354
- D397,579 S * 9/1998 Wu Chang D7/350.1
- D451,335 S * 12/2001 Rossman D7/360
- D463,711 S * 10/2002 Josancy D7/354
- D474,937 S * 5/2003 Josancy D7/354
- D516,371 S * 3/2006 Trench Roca et al. D7/354
- D528,853 S * 9/2006 Lloyd D7/354

* cited by examiner

Primary Examiner—Cathron C. Brooks

Assistant Examiner—Ricky Pham

(74) *Attorney, Agent, or Firm*—Lawrence Cruz; Steven A. Garner

(57) **CLAIM**

The ornamental design for a deep fryer, as shown and described.

DESCRIPTION

FIG. 1 is a perspective view of a deep fryer showing our new design;

FIG. 2 is a front view thereof;

FIG. 3 is a rear view thereof;

FIG. 4 is a top view thereof;

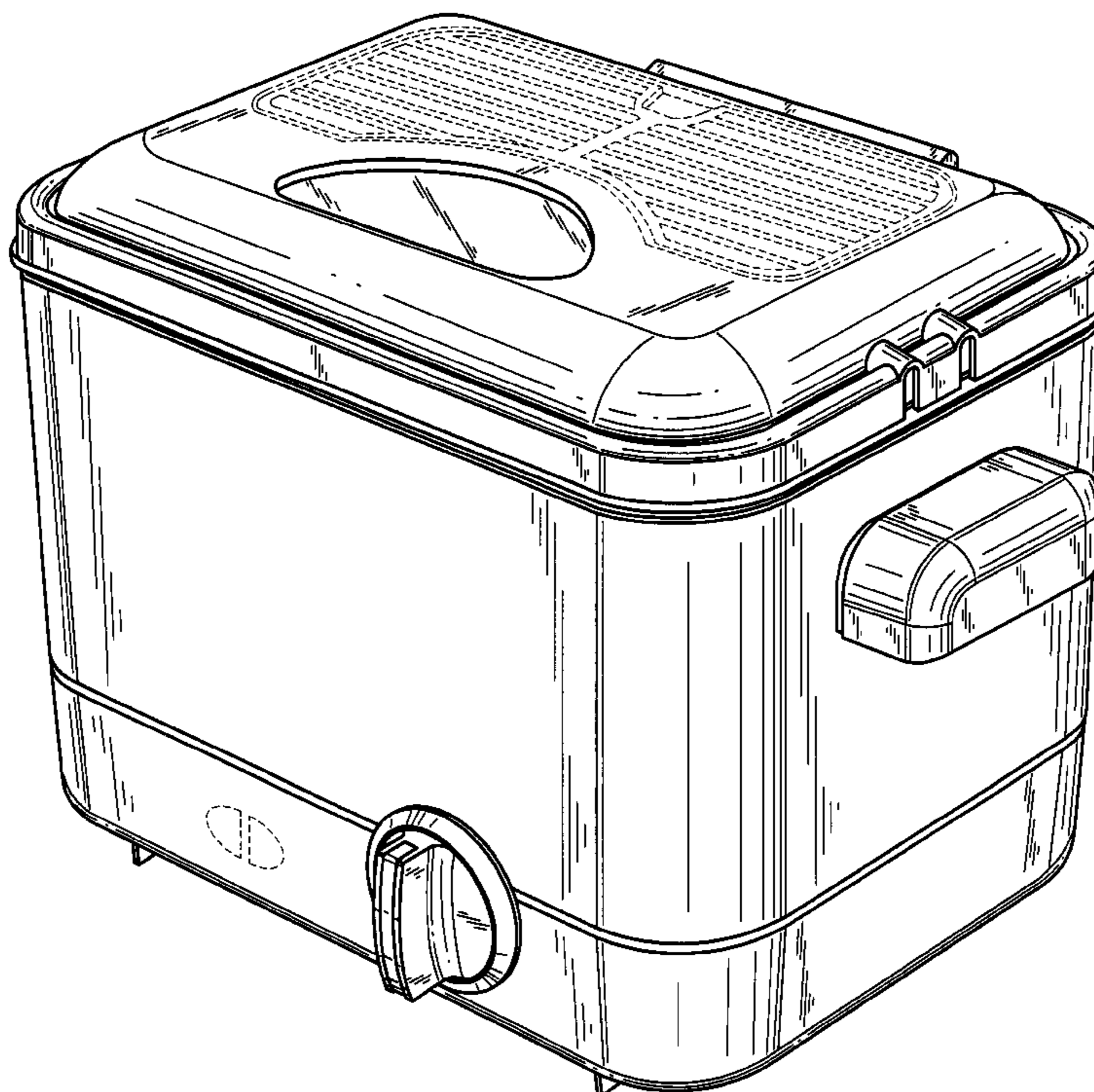
FIG. 5 is a bottom view thereof;

FIG. 6 is a right side view thereof; and,

FIG. 7 is a left side view.

The broken lines are shown for illustrative purposes only and form no part of the claimed design.

1 Claim, 4 Drawing Sheets



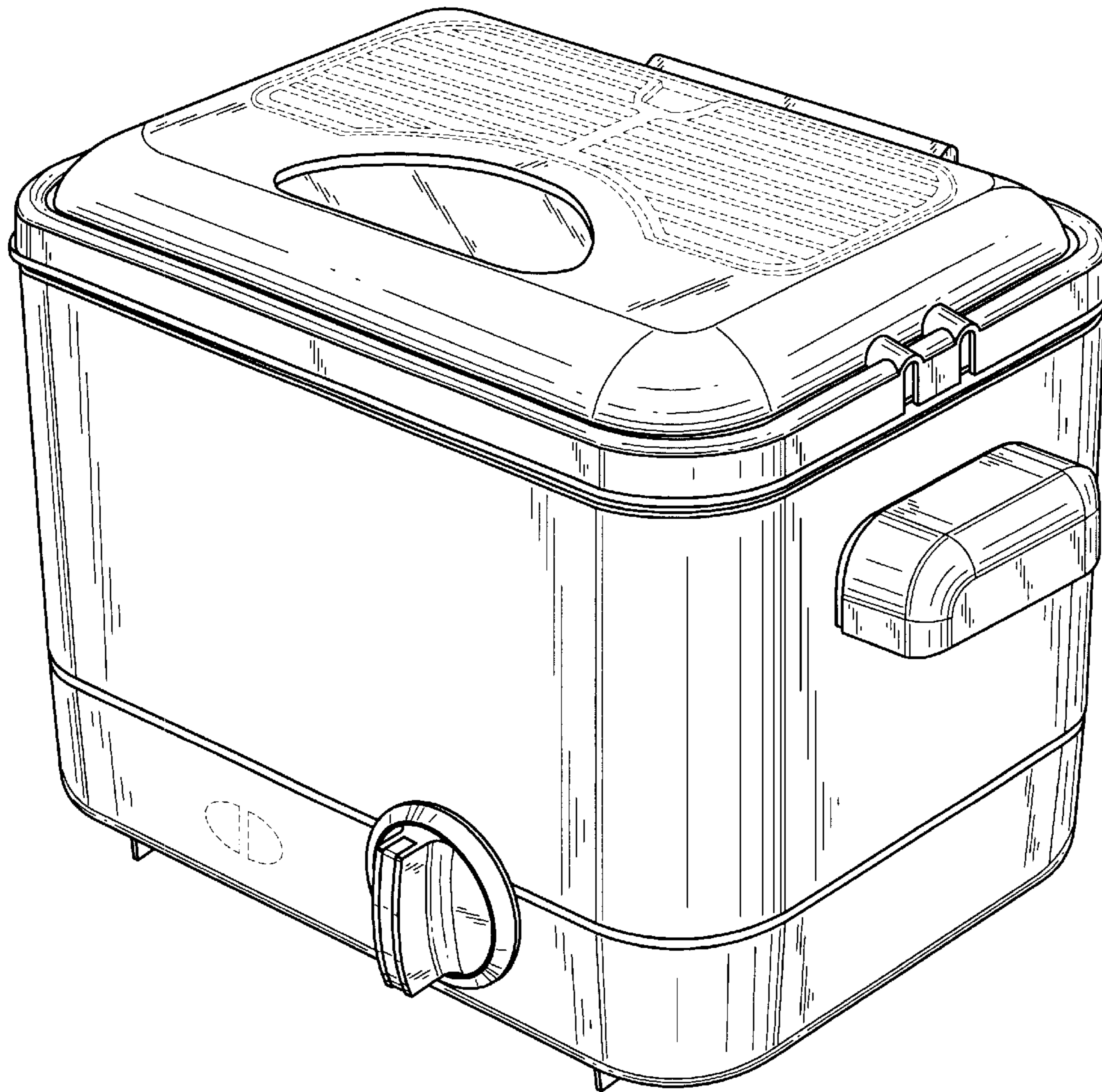


FIG. 1

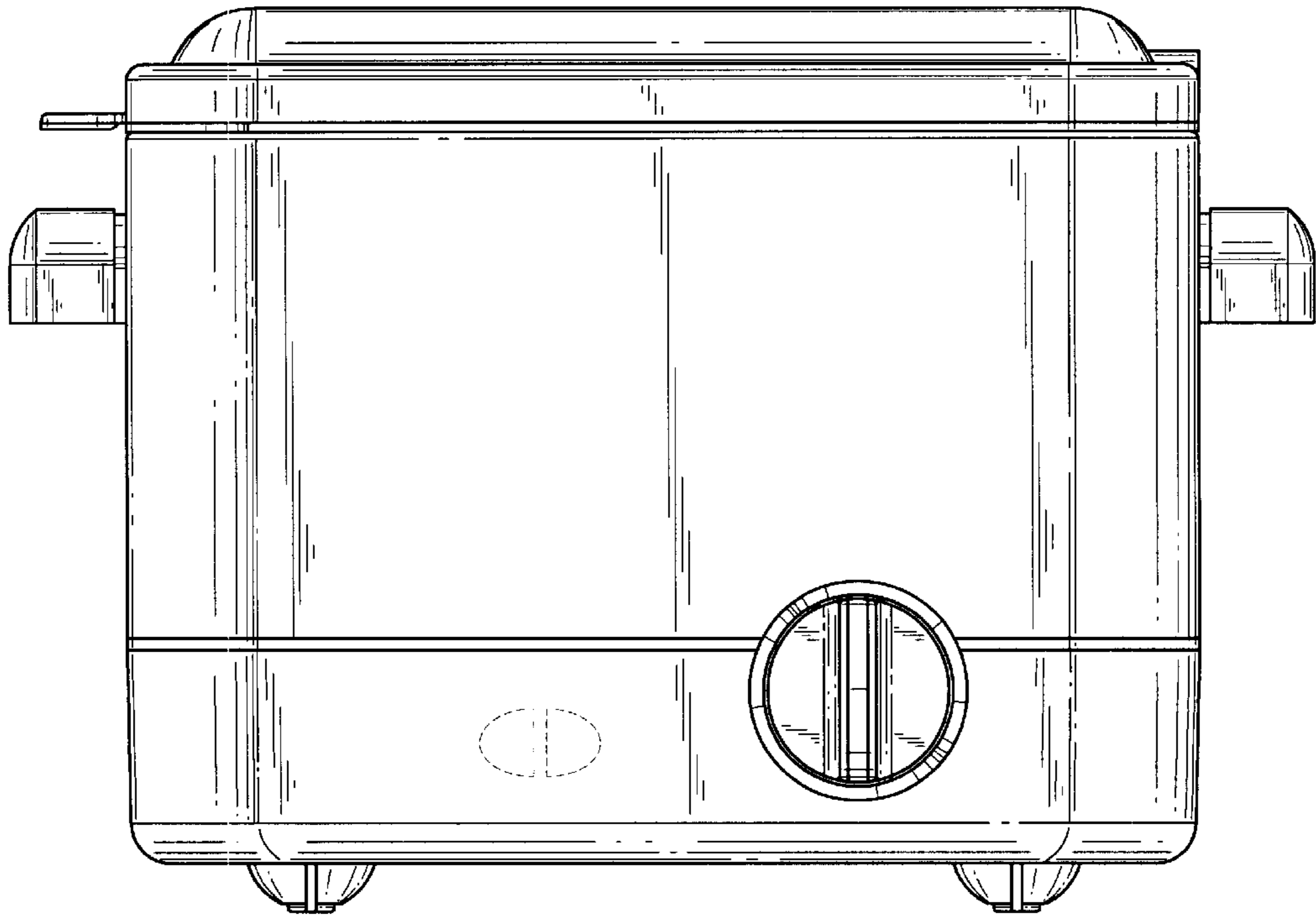


FIG. 2

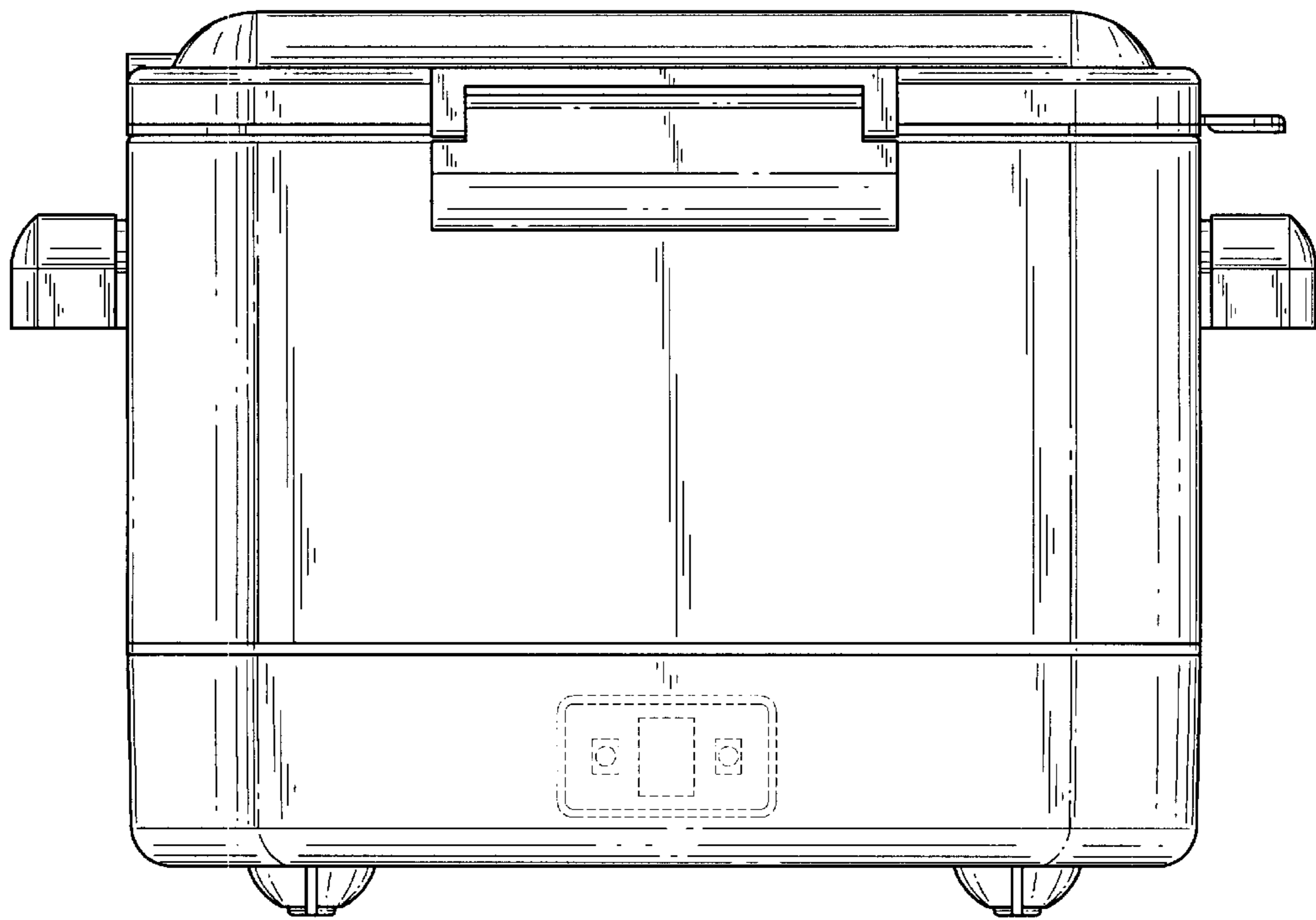


FIG. 3

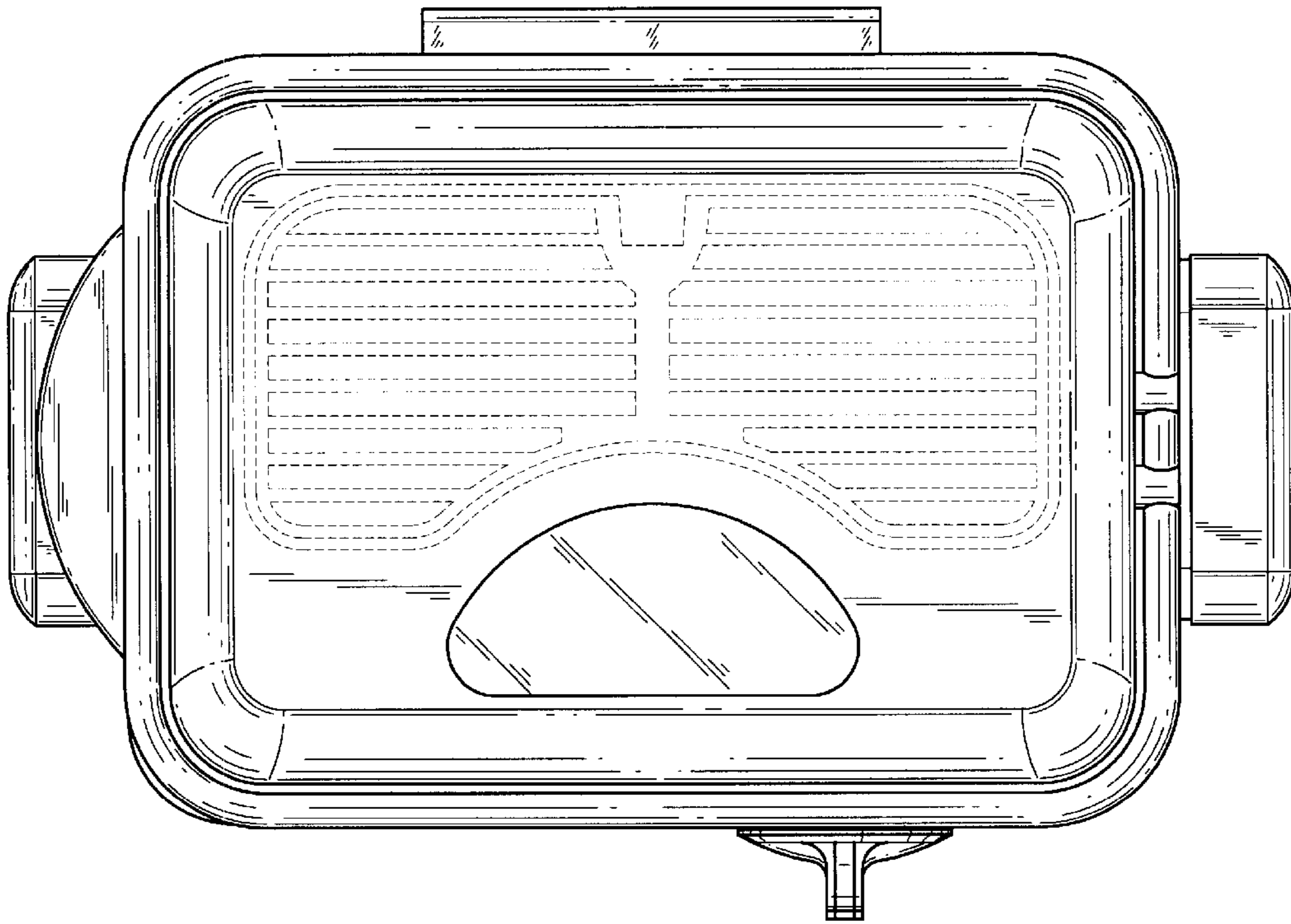


FIG. 4

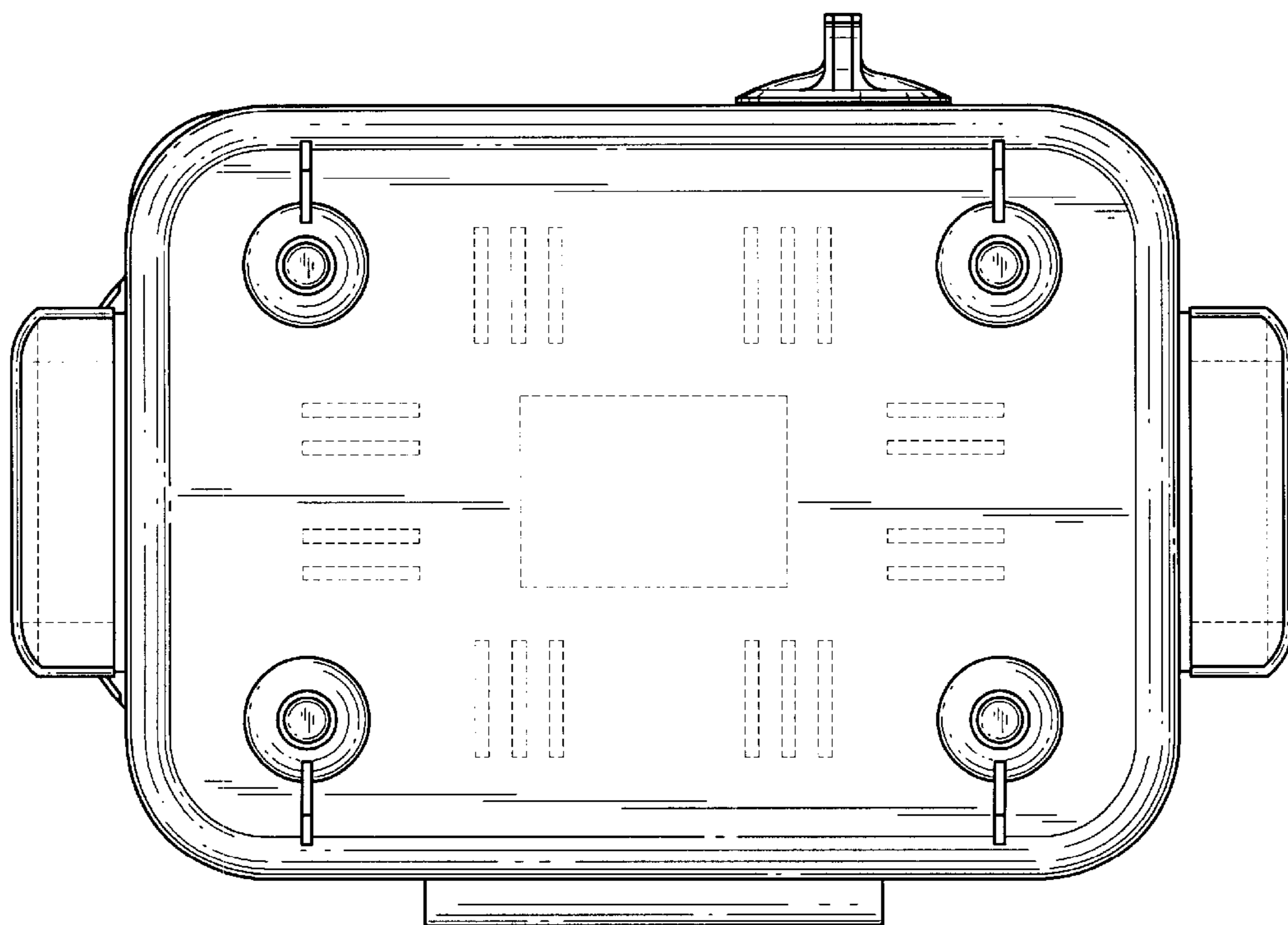


FIG. 5

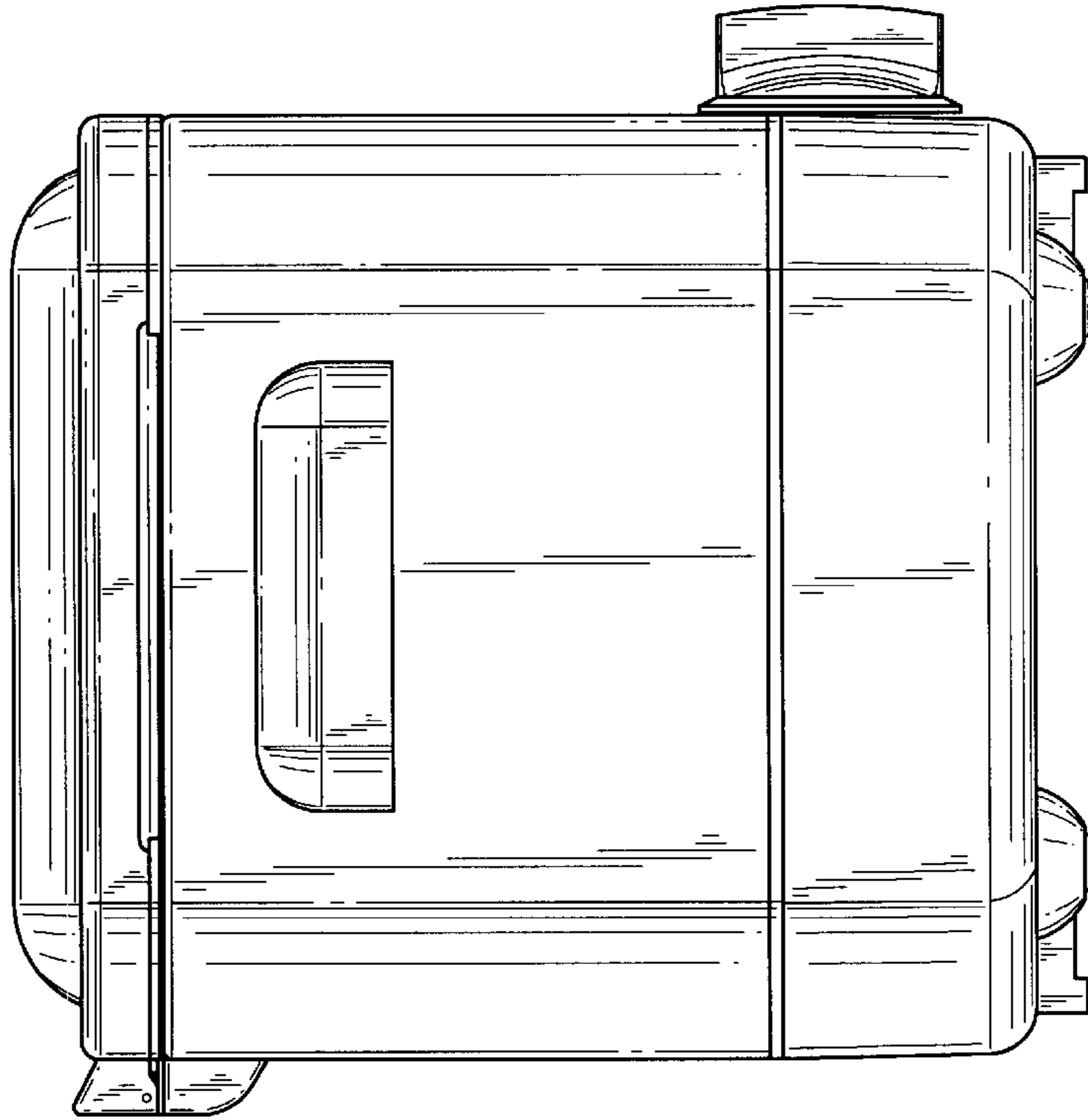


FIG. 7

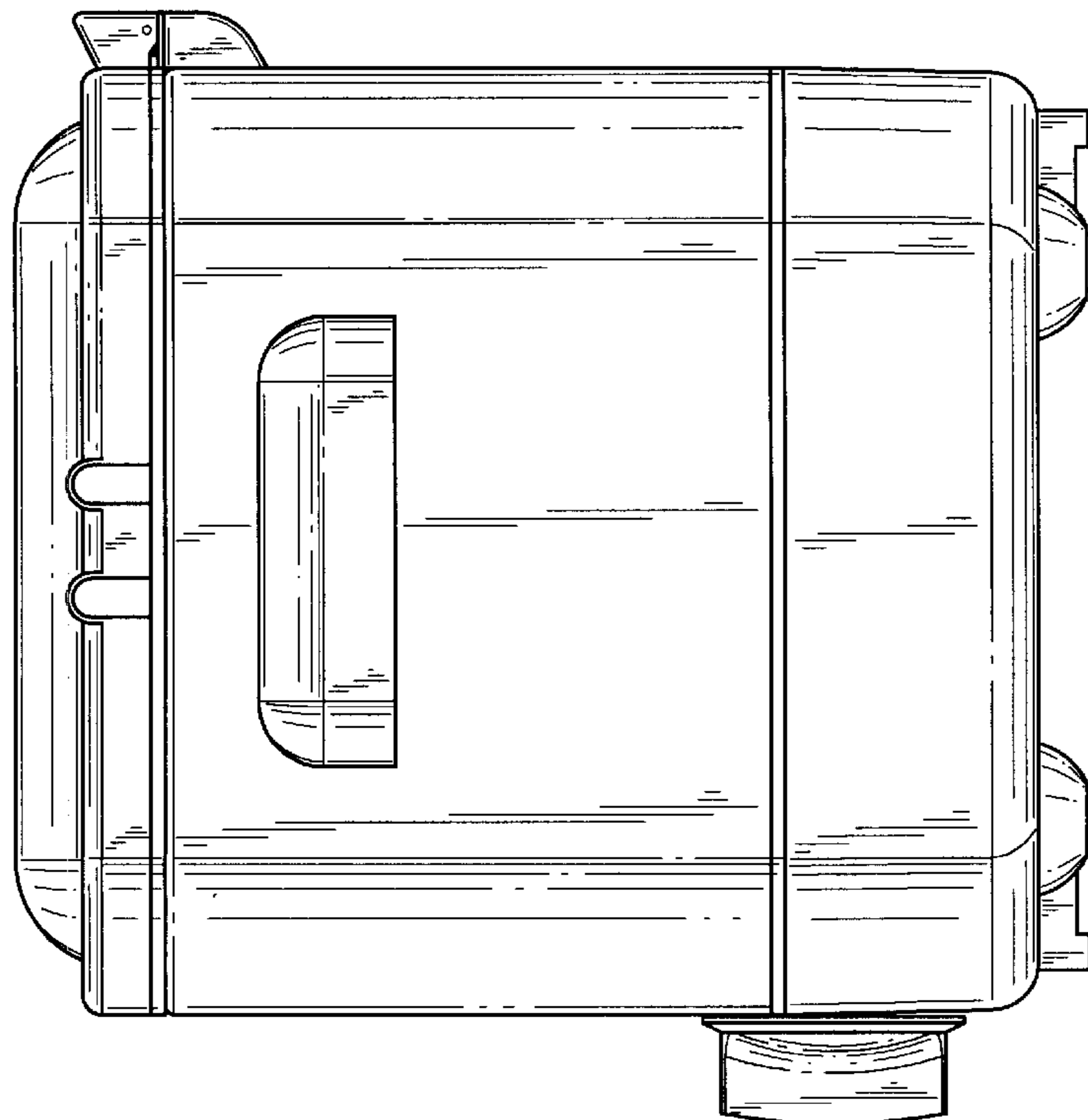


FIG. 6