

US00D542092S

(12) **United States Design Patent**  
**Raichlen et al.**

(10) **Patent No.:** **US D542,092 S**

(45) **Date of Patent:** **\*\* May 8, 2007**

(54) **FOOD RACK**

(75) Inventors: **Steven Raichlen**, Miami, FL (US);  
**Charles Adams**, Berkeley, CA (US)

(73) Assignee: **Charcoal Companion Incorporated**,  
Emeryville, CA (US)

(\*\*) Term: **14 Years**

(21) Appl. No.: **29/252,269**

(22) Filed: **Jan. 20, 2006**

(51) **LOC (8) Cl.** ..... **06-04**

(52) **U.S. Cl.** ..... **D7/409**

(58) **Field of Classification Search** ..... D6/462,  
D6/449, 463, 466, 467, 468, 475, 476; D19/90-92;  
220/491; D7/409, 504, 323, 419, 422; 99/426;  
211/85.4, 41.11

See application file for complete search history.

(56) **References Cited**

**U.S. PATENT DOCUMENTS**

1,994,195	A	*	3/1935	Hay	.....	211/41.11
D162,925	S	*	4/1951	Berkowitz	.....	D6/462
D162,926	S	*	4/1951	Berkowitz	.....	D6/462
D189,356	S	*	11/1960	Kolkey	.....	D6/462
3,395,810	A	*	8/1968	Johnson	.....	220/491
D237,849	S	*	12/1975	Hale	.....	D6/463
D260,227	S	*	8/1981	Bentson	.....	D7/409
4,848,217	A	*	7/1989	Koziol	.....	99/426
D308,317	S	*	6/1990	Koziol	.....	D7/409
D313,905	S	*	1/1991	Yau Kee	.....	D6/462
D314,098	S	*	1/1991	Kee	.....	D6/462
D316,344	S	*	4/1991	Kee	.....	D6/462
D321,798	S	*	11/1991	Buckley	.....	D6/462
D329,954	S	*	10/1992	Sharon et al.	.....	D6/462
D359,880	S		7/1995	Fielding et al.		

D387,949	S	*	12/1997	Bentson	.....	D7/409
D405,627	S	*	2/1999	Salvucci	.....	D6/465
D456,177	S	*	4/2002	Walker	.....	D6/462
D476,828	S	*	7/2003	Harwanko	.....	D6/462
D479,435	S	*	9/2003	Siegel et al.	.....	D7/409

**OTHER PUBLICATIONS**

Charcoal Companion, Product Catalog 2004, pp. 4, 10, 36, 38.

Charcoal Companion, Product Catalog 2003, pp. 4, 12.

Charcoal Companion, Product Catalog 2002, pp. 11, 43.

\* cited by examiner

*Primary Examiner*—Caron D. Veynar

*Assistant Examiner*—Sydney R Buffalow

(74) *Attorney, Agent, or Firm*—Donald L. Beeson; Beeson Skinner Beverly

(57) **CLAIM**

The ornamental design for a food rack, as shown and described.

**DESCRIPTION**

FIG. 1 is a top perspective view of a food rack showing our new design;

FIG. 2 is a broken away top perspective view thereof;

FIG. 3 is a right side elevational view thereof, the left side being a mirror image;

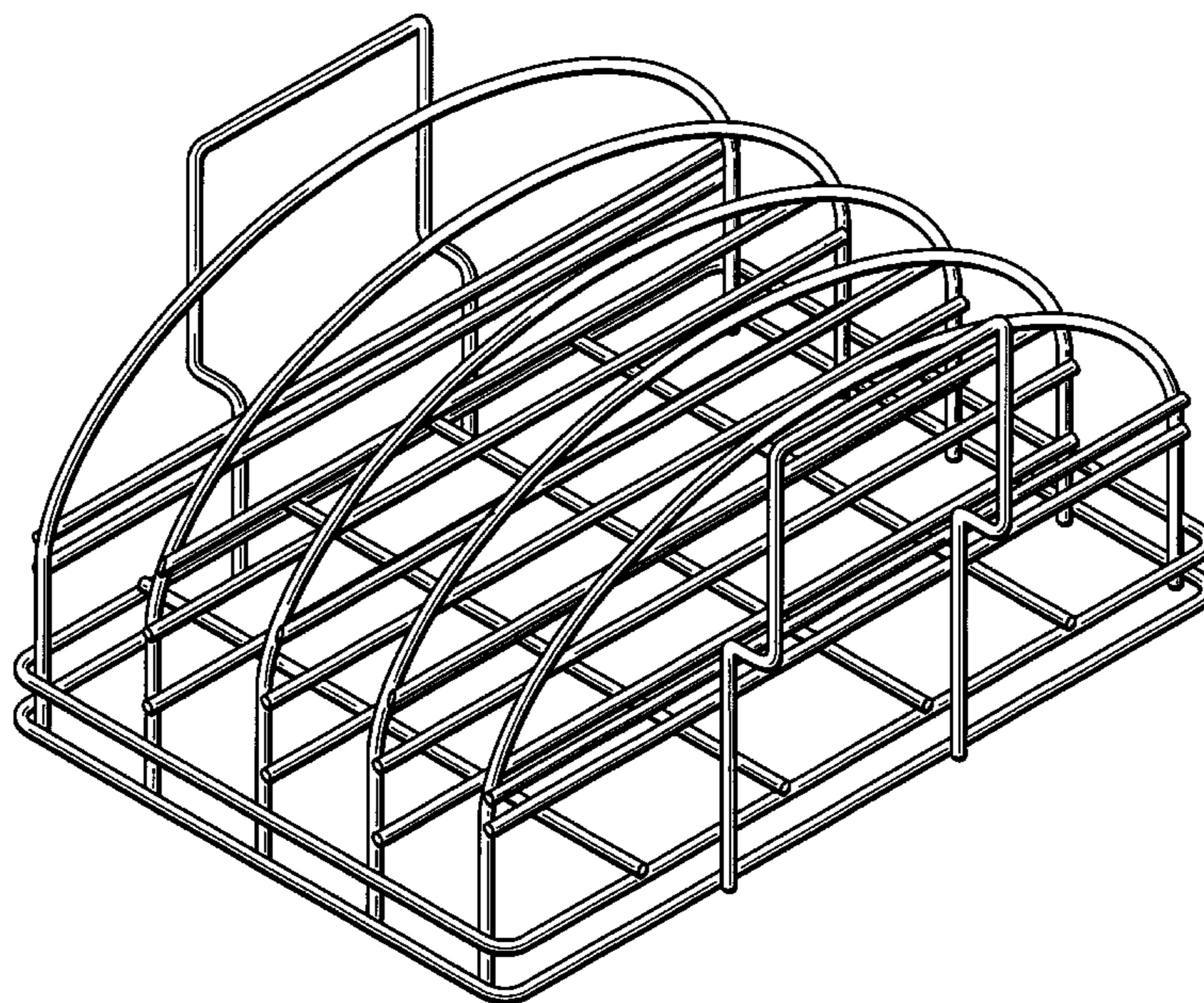
FIG. 4 is a broken away front elevational view thereof, the rear being a mirror image.

FIG. 5 is a broken away top plan view thereof; and,

FIG. 6 is a broken away bottom plan view thereof.

FIGS. 2 and 4-6 are broken away to indicate a food rack of indeterminate length having multiples of substantially equally spaced upright food divider sections.

**1 Claim, 6 Drawing Sheets**



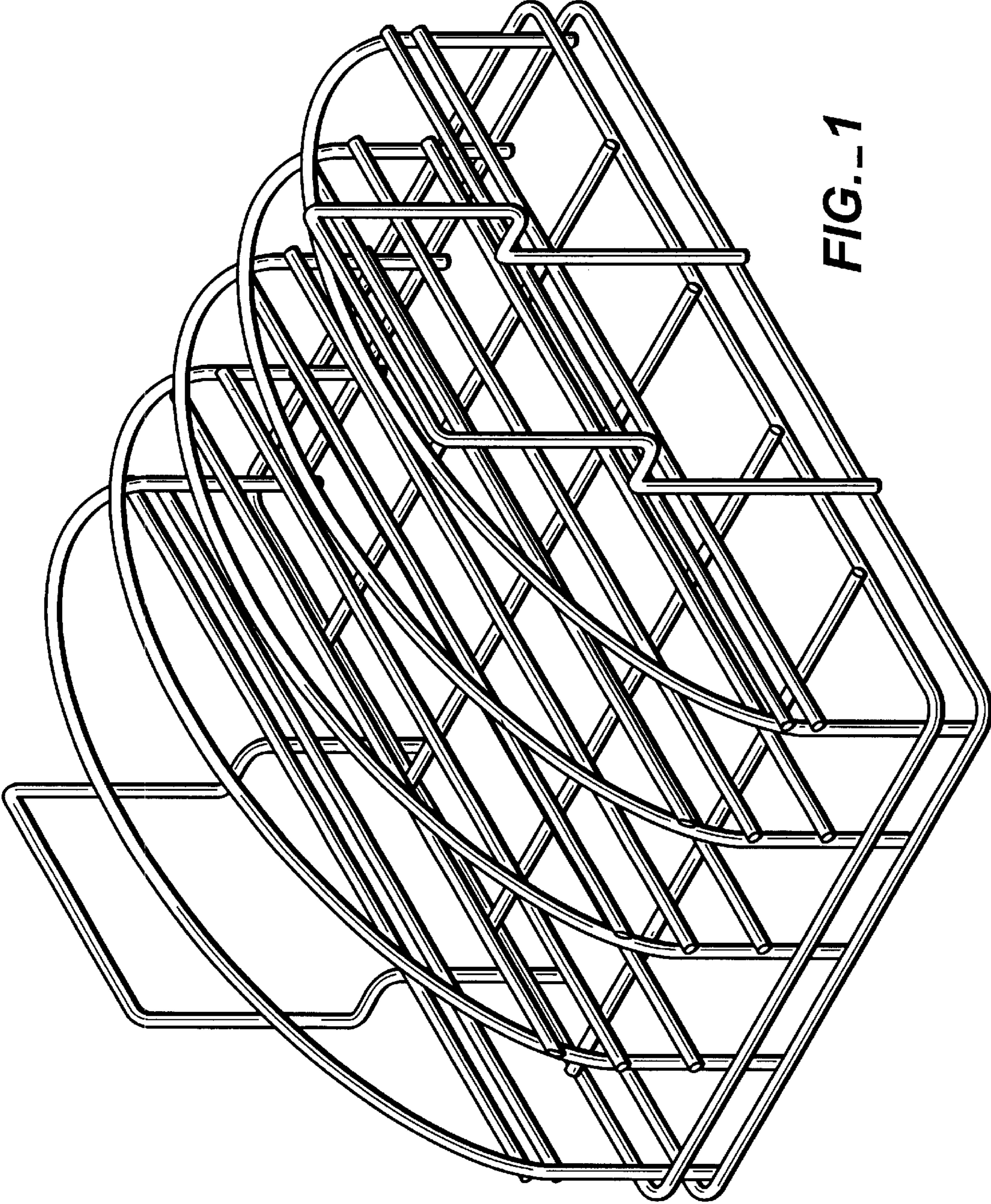


FIG. 1

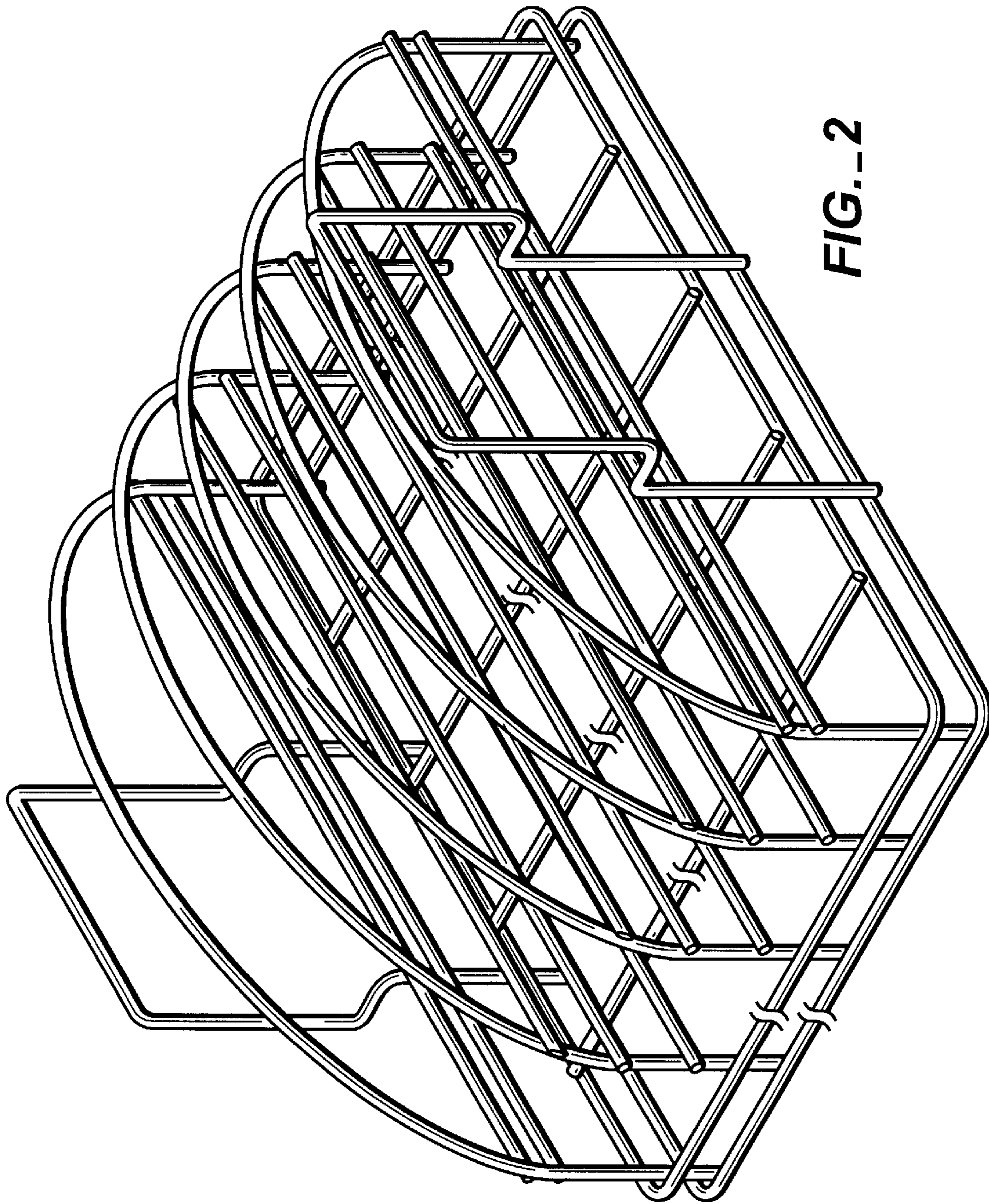
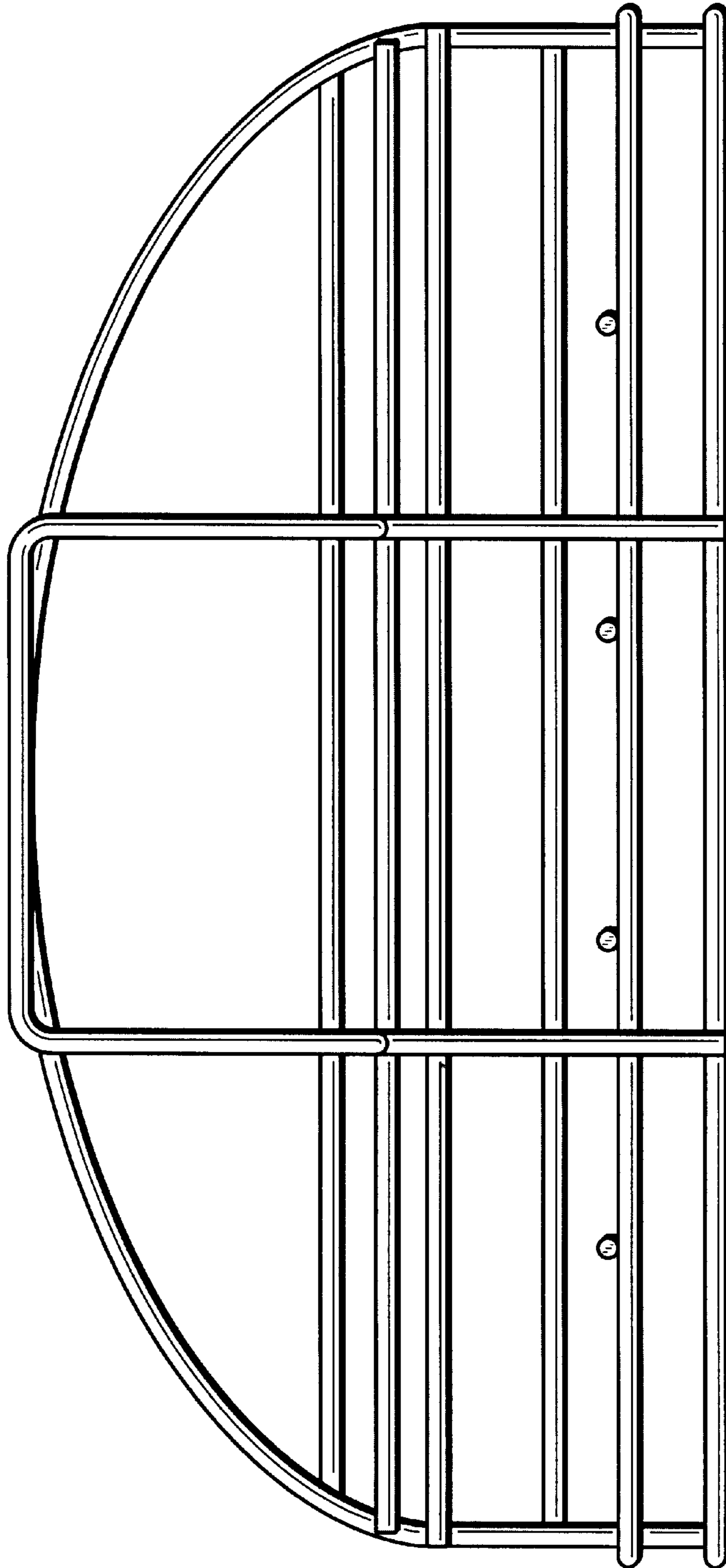
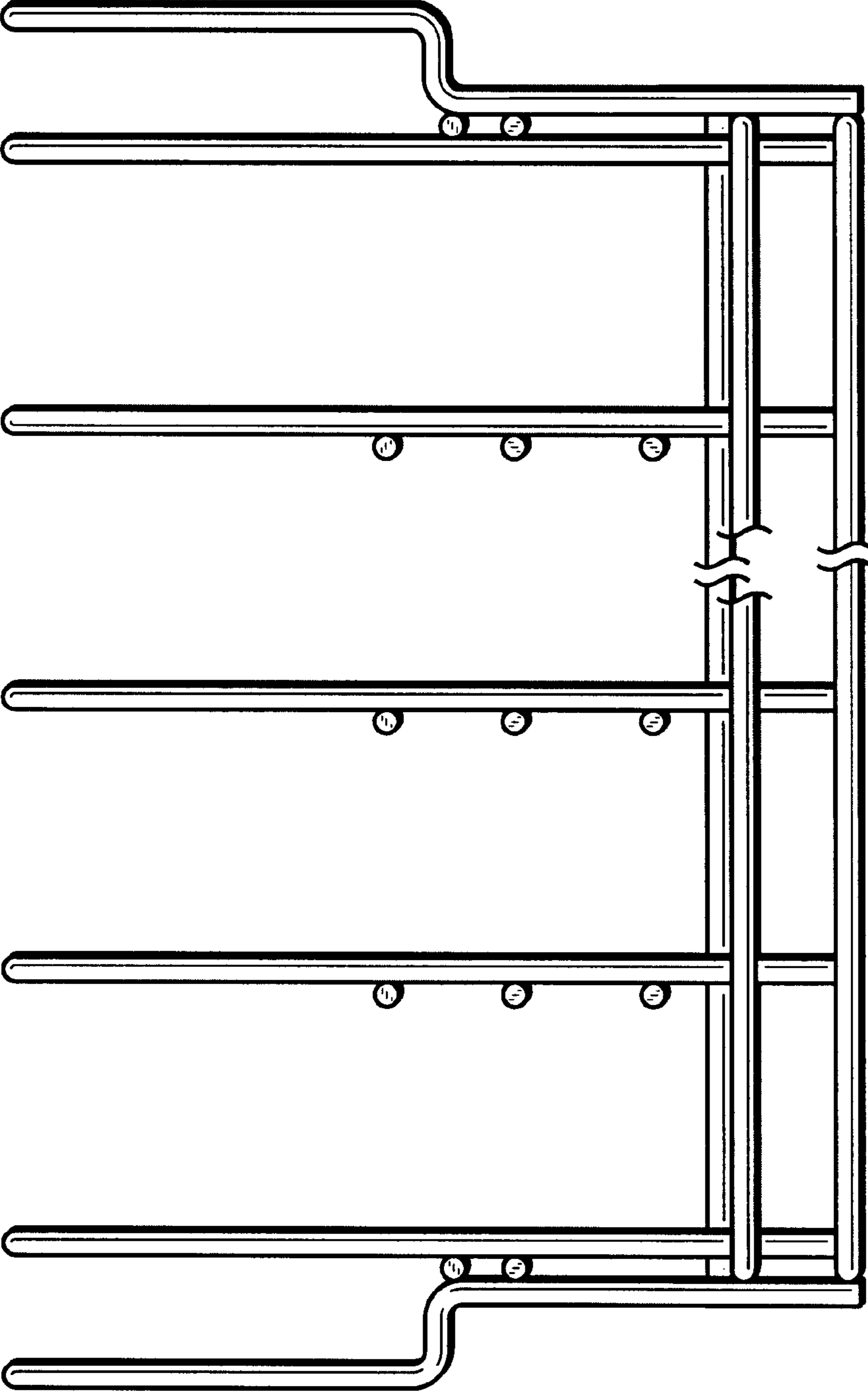


FIG.-2



**FIG. 3**



**FIG. 4**

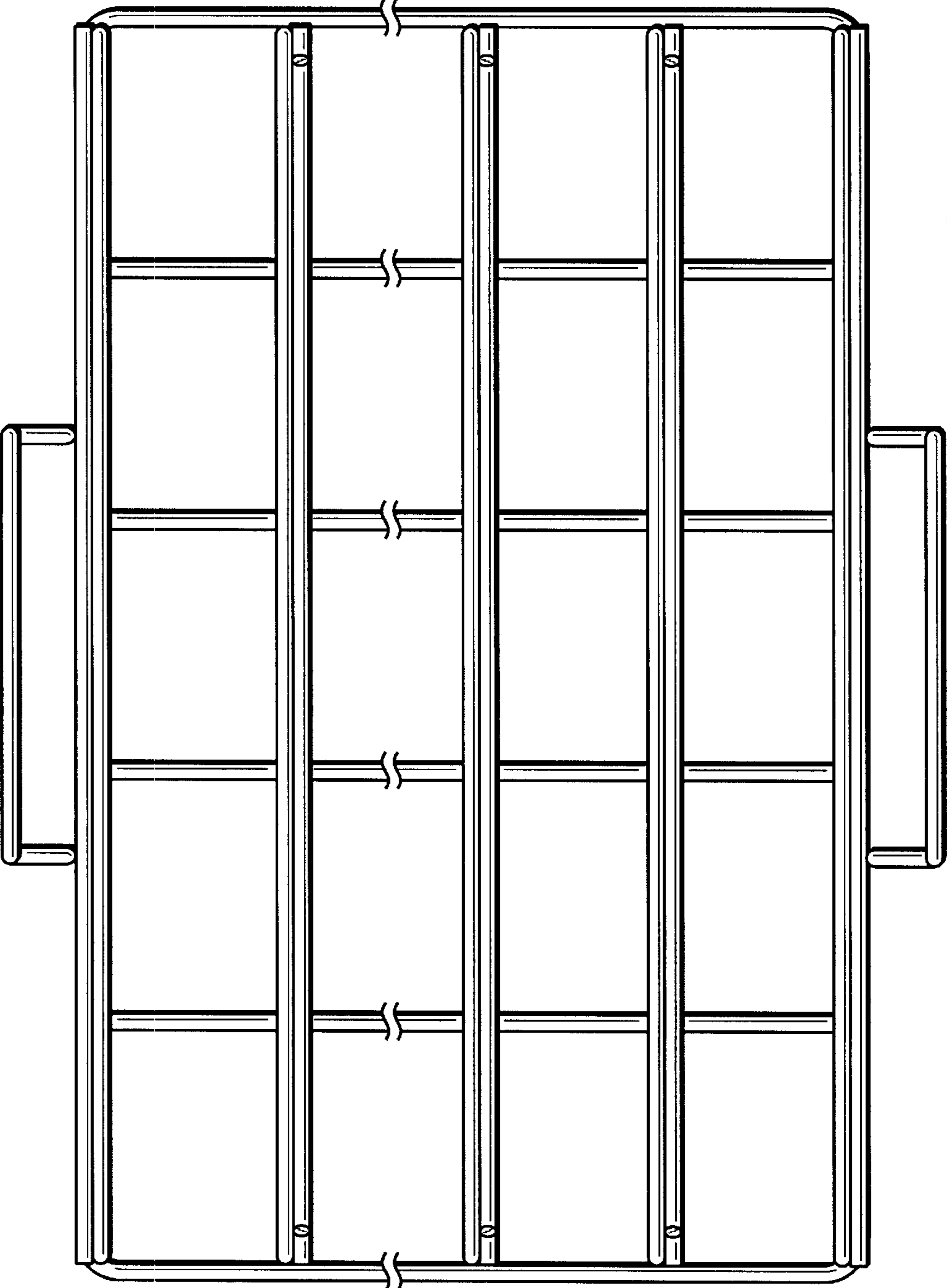


FIG. 5

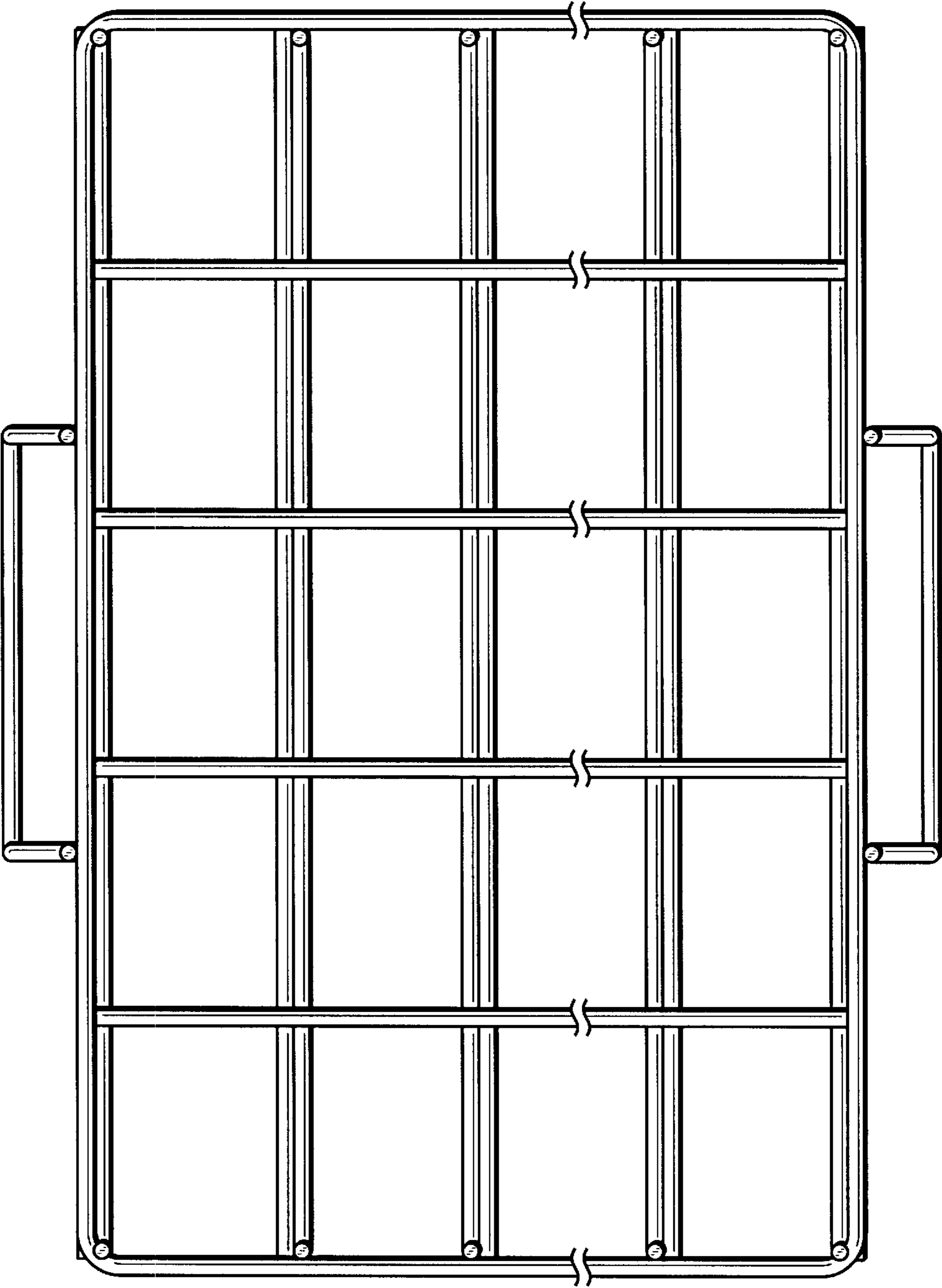


FIG. 6