



US00D542089S

(12) **United States Design Patent**  
**McKenzie**

(10) **Patent No.:** **US D542,089 S**

(45) **Date of Patent:** **\*\* May 8, 2007**

(54) **BARBECUE**

(75) Inventor: **Stuart T. McKenzie**, Wyevale (CA)

(73) Assignee: **Fiesta Barbeques Limited**, Brampton, Ontario (CA)

(\*\*) Term: **14 Years**

(21) Appl. No.: **29/237,516**

(22) Filed: **Sep. 2, 2005**

(30) **Foreign Application Priority Data**

Mar. 4, 2005 (CA) ..... 110257  
Mar. 4, 2005 (CA) ..... 110258  
Jul. 8, 2005 (CA) ..... 111867

(51) **LOC (8) Cl.** ..... **07-02**

(52) **U.S. Cl.** ..... **D7/402**

(58) **Field of Classification Search** ..... D7/332,  
D7/334-337, 402-405, 417; 126/25 R, 25 A,  
126/25 AA, 25 B, 41 R, 50, 59, 59.5, 37 R,  
126/9 R, 9 B, 29-30, 276, 332, 334; 211/215,  
211/134-135, 153; 99/340, 481-482, 444;  
426/314; 312/236

See application file for complete search history.

(56) **References Cited**

**U.S. PATENT DOCUMENTS**

D377,734 S 2/1997 Bird et al.  
D435,396 S 12/2000 Wagner

D436,004 S 1/2001 Wagner  
D461,359 S \* 8/2002 Coleman et al. .... D7/334  
D462,227 S \* 9/2002 Alden et al. .... D7/334  
D462,234 S 9/2002 Alden et al.  
D470,357 S \* 2/2003 Home ..... D7/334  
D471,057 S \* 3/2003 Chung ..... D7/334  
D472,422 S 4/2003 Pai  
D472,756 S 4/2003 Pai  
D503,065 S \* 3/2005 Pai ..... D7/334  
D516,367 S \* 3/2006 Lutz et al. .... D7/335  
D521,308 S \* 5/2006 Tseng ..... D7/334  
2002/0020303 A1 2/2002 Johnson  
2002/0020405 A1 2/2002 Coleman et al.  
2003/0029436 A1 2/2003 Carden et al.  
2004/0154608 A1 8/2004 Ward et al.

\* cited by examiner

*Primary Examiner*—Ruth McInroy

(74) *Attorney, Agent, or Firm*—McCarthy Tetrault LLP;  
Christopher N. Hunter

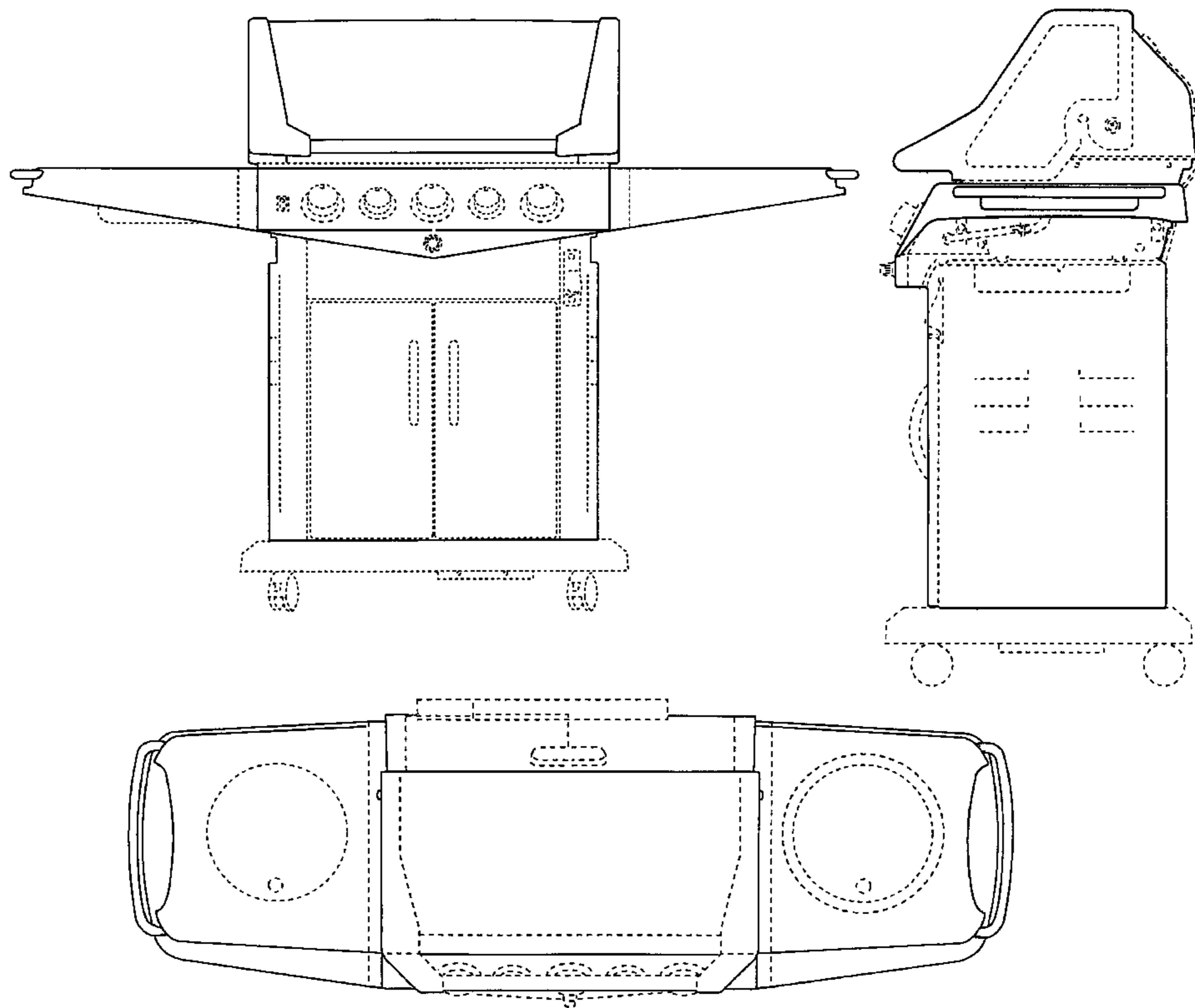
(57) **CLAIM**

I claim the ornamental design for a barbecue, as shown and described.

**DESCRIPTION**

FIG. 1 is a front view of a barbecue showing the new design; FIG. 2 is a top view of the barbecue of FIG. 1; and, FIG. 3 is an end view of the barbecue of FIG. 1. The broken lines in the drawings form no part of the claimed design.

**1 Claim, 3 Drawing Sheets**



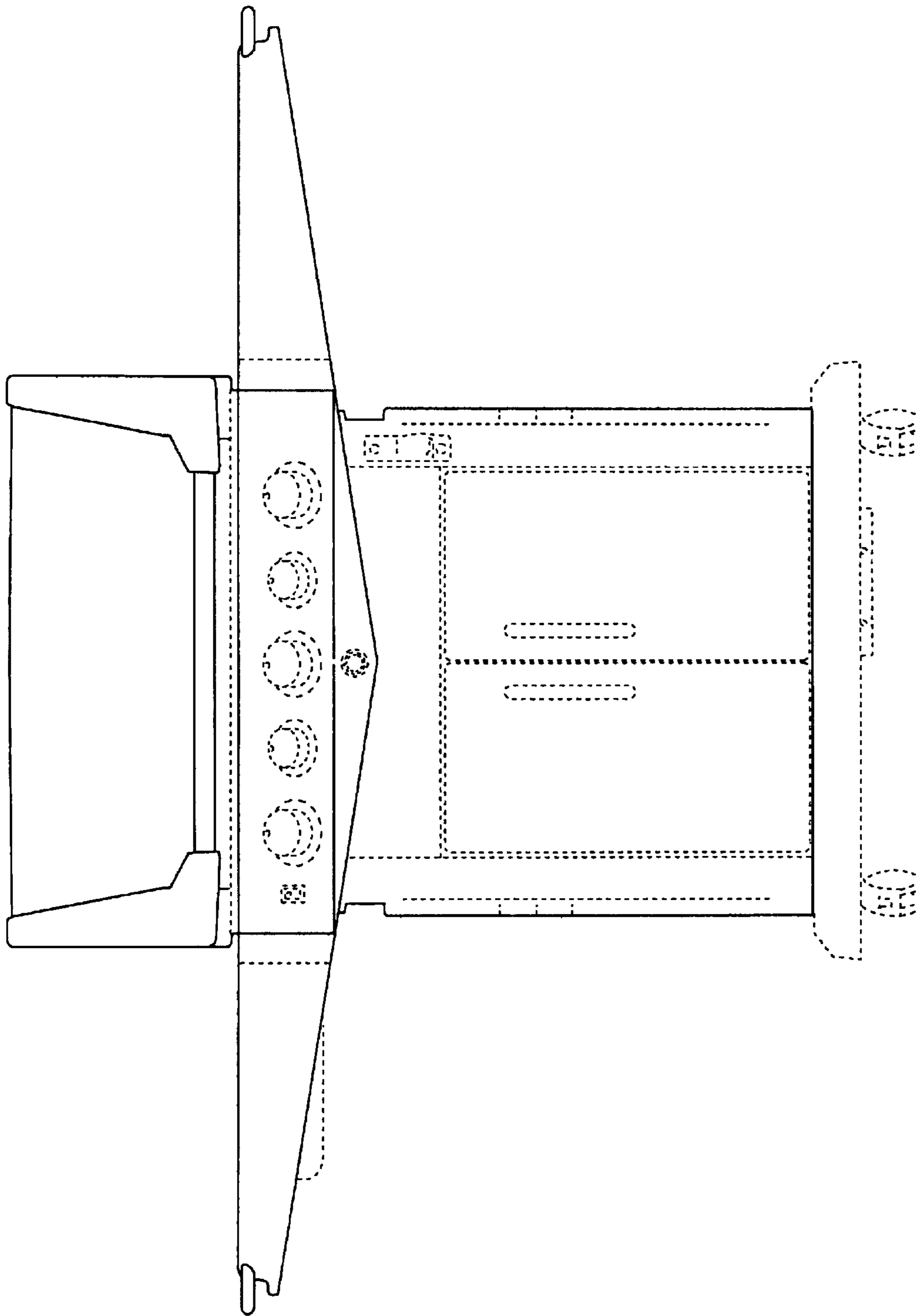


Figure 1

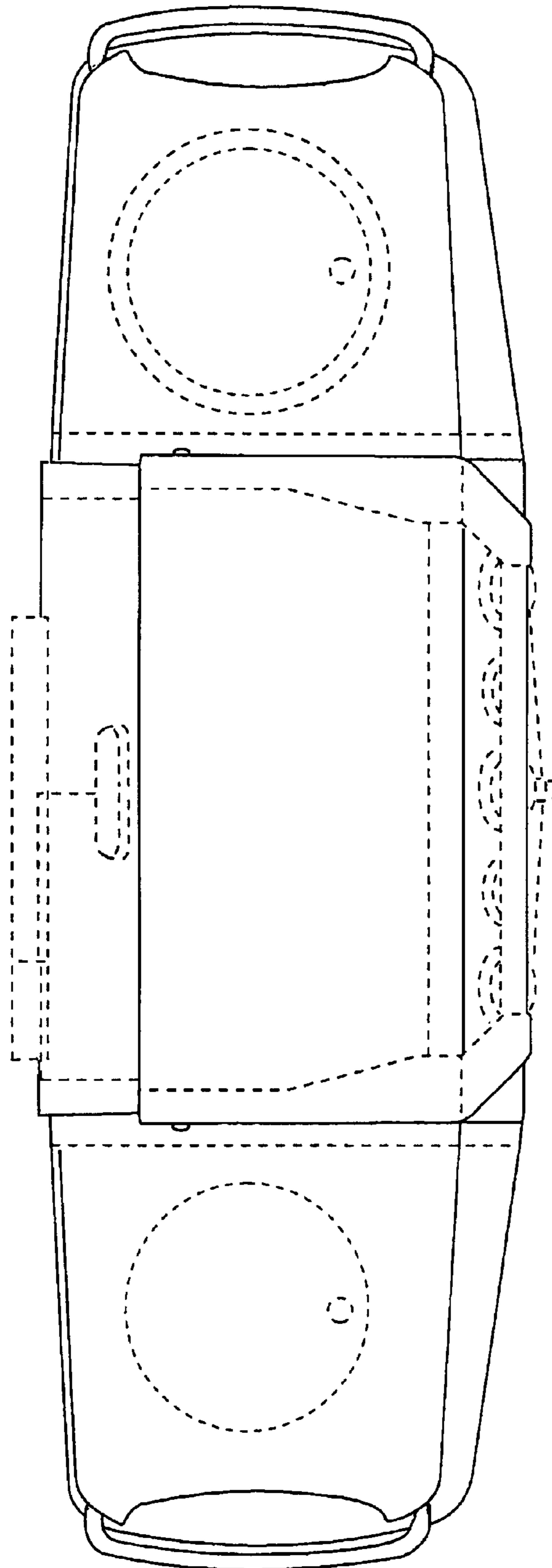


Figure 2

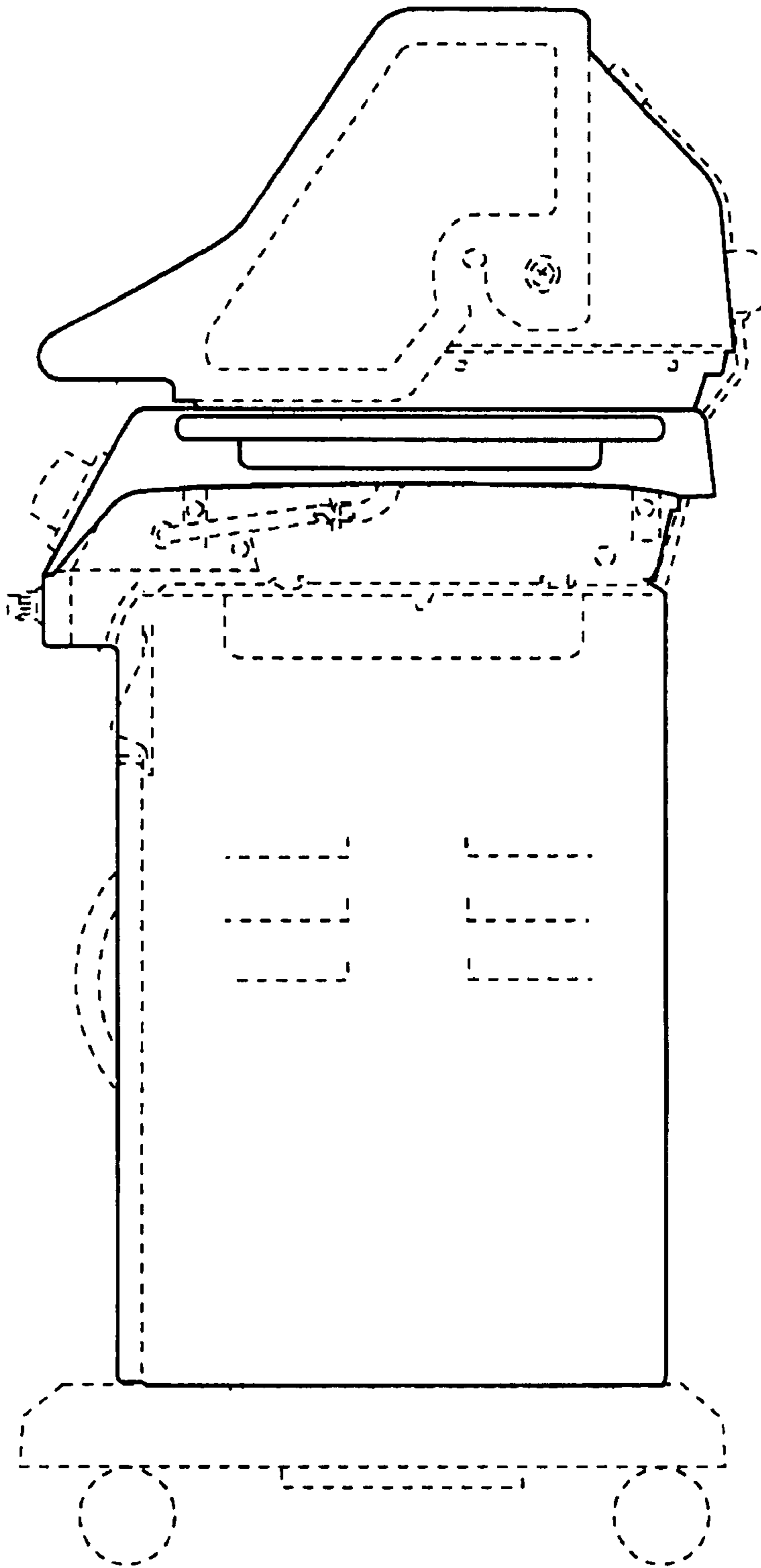


Figure 3