

US00D542088S

(12) **United States Design Patent** (10) **Patent No.:** **US D542,088 S**
Albrecht (45) **Date of Patent:** **** May 8, 2007**

(54) **DISPOSABLE BREW BASKET FOR ELECTRIC COFFEE MAKER**
(75) Inventor: **Douglas A. Albrecht**, St. Louis, MO (US)
(73) Assignee: **Courtesy Products, LLC**, Saint Louis, MO (US)
(**) Term: **14 Years**

2,822,273 A 2/1958 Anderson
2,899,310 A 8/1959 Dale
3,083,101 A 3/1963 Noury
3,091,360 A 5/1963 Edwards
3,094,917 A 6/1963 Rombouts
3,139,344 A 6/1964 Weisman
3,292,527 A 12/1966 Stasse

(Continued)

(21) Appl. No.: **29/266,421**
(22) Filed: **Sep. 20, 2006**

Related U.S. Application Data

(60) Continuation of application No. 10/942,766, filed on Sep. 16, 2004, which is a division of application No. 10/136,543, filed on May 1, 2002, now Pat. No. 7,081,263.
(51) **LOC (8) Cl.** **07-01**
(52) **U.S. Cl.** **D7/400; 7/399**
(58) **Field of Classification Search** D3/203.3, D3/304; D6/406.1, 406; D7/309-311, 354, D7/399, 400, 401, 410, 426, 550.1, 553.1-553.8, D7/554.1-554.4, 543, 545, 546, 555, 557, D7/566, 570, 584-589, 602, 647, 667, 549; D9/424, 429, 430, 456, 457; 220/556, 564, 220/574, 575, 584, 657, 4.25; 426/106, 108, 426/433, 77; D23/209; D32/25; 210/348
See application file for complete search history.

FOREIGN PATENT DOCUMENTS

DE 23 27 264 A1 1/1975
DE 35 04 441 A1 8/1986
EP 01101430 A1 5/2001
FR 2 556 323 12/1983
GB 1064010 4/1967
GB 2 023 086 A 12/1979

OTHER PUBLICATIONS

The Keurig Premium Coffee System, 7 pgs.

Primary Examiner—Philip S. Hyder
Assistant Examiner—Cynthia R. Underwood
(74) *Attorney, Agent, or Firm*—Small Patent Law Group; Dean D. Small

(57) **CLAIM**

I claim the ornamental design for a disposable brew basket for electric coffee maker, as shown and described.

DESCRIPTION

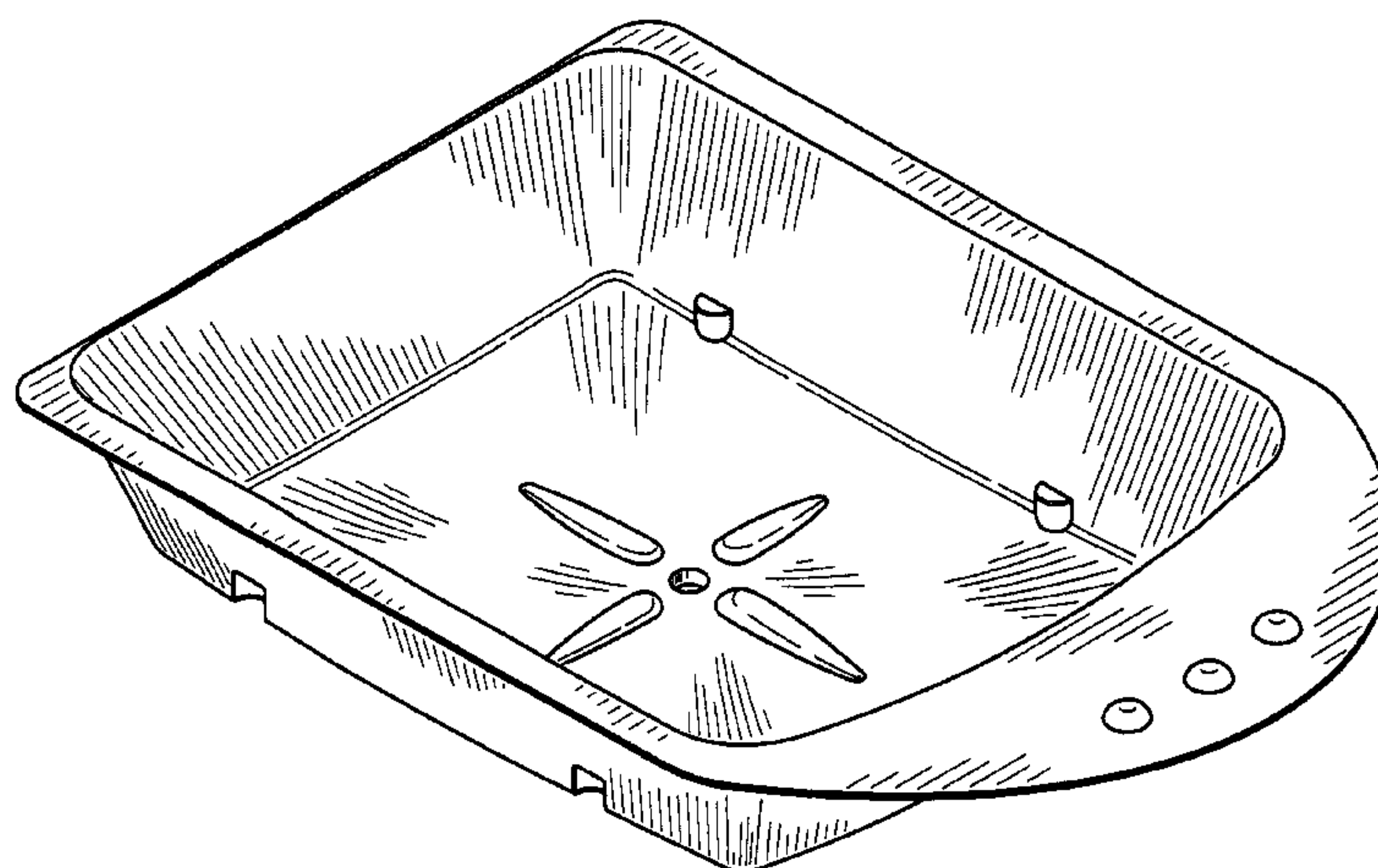
FIG. 1 is a perspective view, as seen from the top, front, left side of a disposable brew basket that is formed in accordance with an exemplary embodiment of the present invention; FIG. 2 is a front elevational view of the brew basket of FIG. 1; FIG. 3 is a rear elevational view of the brew basket of FIG. 1; FIG. 4 is a left side elevational view of the brew basket of FIG. 1; FIG. 5 is a top plan view of the brew basket of FIG. 1; and, FIG. 6 is a bottom plan view of the brew basket of FIG. 1.

1 Claim, 2 Drawing Sheets

(56) **References Cited**

U.S. PATENT DOCUMENTS

D35,670 S * 2/1902 Eustis D32/55
1,389,908 A * 9/1921 Shults et al. 211/85.25
1,412,388 A 4/1922 Clermont
1,555,515 A 9/1925 Peal
2,383,144 A 8/1945 Moore
2,438,844 A 3/1948 Dale
2,615,384 A 10/1952 Ranz
2,672,531 A 3/1954 Stevenson
2,676,531 A 4/1954 Popeil
2,732,787 A 1/1956 Osborne
2,791,367 A 5/1957 Mefford



US D542,088 S

Page 2

U.S. PATENT DOCUMENTS

3,320,073	A	5/1967	Devaris et al.	4,584,101	A	4/1986	Kataoka
3,343,943	A	9/1967	Billue	D286,006	S	10/1986	Kataoka
3,345,935	A	* 10/1967	Waline 99/295	4,656,932	A	4/1987	Kopp
3,384,004	A	5/1968	Perlman et al.	4,697,503	A	10/1987	Okabe et al.
3,401,827	A	9/1968	Messina	4,704,954	A	11/1987	Mollenhoff
3,411,431	A	11/1968	Moerlini et al.	4,728,281	A	3/1988	McGuffin et al.
3,434,589	A	3/1969	Valtri et al.	4,746,519	A	5/1988	Wright et al.
3,445,237	A	5/1969	Gidge	4,860,645	A	8/1989	van der Lijn et al.
3,446,624	A	5/1969	Luedtke	4,867,993	A	9/1989	Nordskog
3,450,024	A	6/1969	Martin	4,948,601	A	8/1990	Serbu
3,481,501	A	12/1969	Anderson	5,036,755	A	8/1991	Abdenour
3,511,166	A	5/1970	Bixby, Sr.	5,063,838	A	11/1991	Matuschek
3,561,349	A	2/1971	Endo et al.	D325,774	S	* 4/1992	Manville et al. D23/261
3,566,772	A	3/1971	Oliver et al.	D333,596	S	* 3/1993	Husted D7/691
3,610,132	A	10/1971	Martin et al.	5,267,507	A	12/1993	Enomoto
3,620,155	A	11/1971	Bixby, Jr.	5,287,797	A	2/1994	Grykiewicz et al.
3,658,615	A	4/1972	Amberg	5,325,765	A	7/1994	Sylvan et al.
D225,077	S	11/1972	Martin et al.	5,337,653	A	8/1994	Sellers
3,795,182	A	3/1974	Van Damme	5,771,777	A	6/1998	Davis
3,823,656	A	7/1974	Vander Veken	D396,752	S	* 8/1998	Hines D3/304
3,935,318	A	1/1976	Mihailide	5,948,455	A	9/1999	Schaeffer et al.
3,938,695	A	2/1976	Ruff	5,952,028	A	9/1999	Lesser
4,086,848	A	5/1978	Hahn	5,967,019	A	10/1999	Johnson et al.
D249,917	S	* 10/1978	Collins D7/505	6,038,963	A	3/2000	Patterson et al.
4,149,454	A	4/1979	Kemp	D423,284	S	* 4/2000	Fischer D7/400
4,167,899	A	9/1979	McCormick	6,076,450	A	6/2000	DiGiorgio, Jr.
D254,529	S	* 3/1980	Arnoff D7/667	6,079,318	A	6/2000	Davis
4,214,673	A	7/1980	Heath et al.	6,164,191	A	12/2000	Liu et al.
4,382,402	A	5/1983	Alvarez	6,245,371	B1	6/2001	Gutwein et al.
4,389,925	A	6/1983	Piana	D475,246	S	* 6/2003	Jørgensen D7/545
4,446,158	A	5/1984	English et al.	D486,355	S	* 2/2004	Lyall, III D7/400
4,471,689	A	9/1984	Piana	6,887,599	B2	5/2005	Reiser et al.
4,487,114	A	12/1984	Abdenour	6,922,856	B2	* 8/2005	Mazar 4/538
4,520,716	A	6/1985	Hayes	7,081,263	B2	* 7/2006	Albrecht 426/82
4,550,024	A	10/1985	le Granse				

* cited by examiner

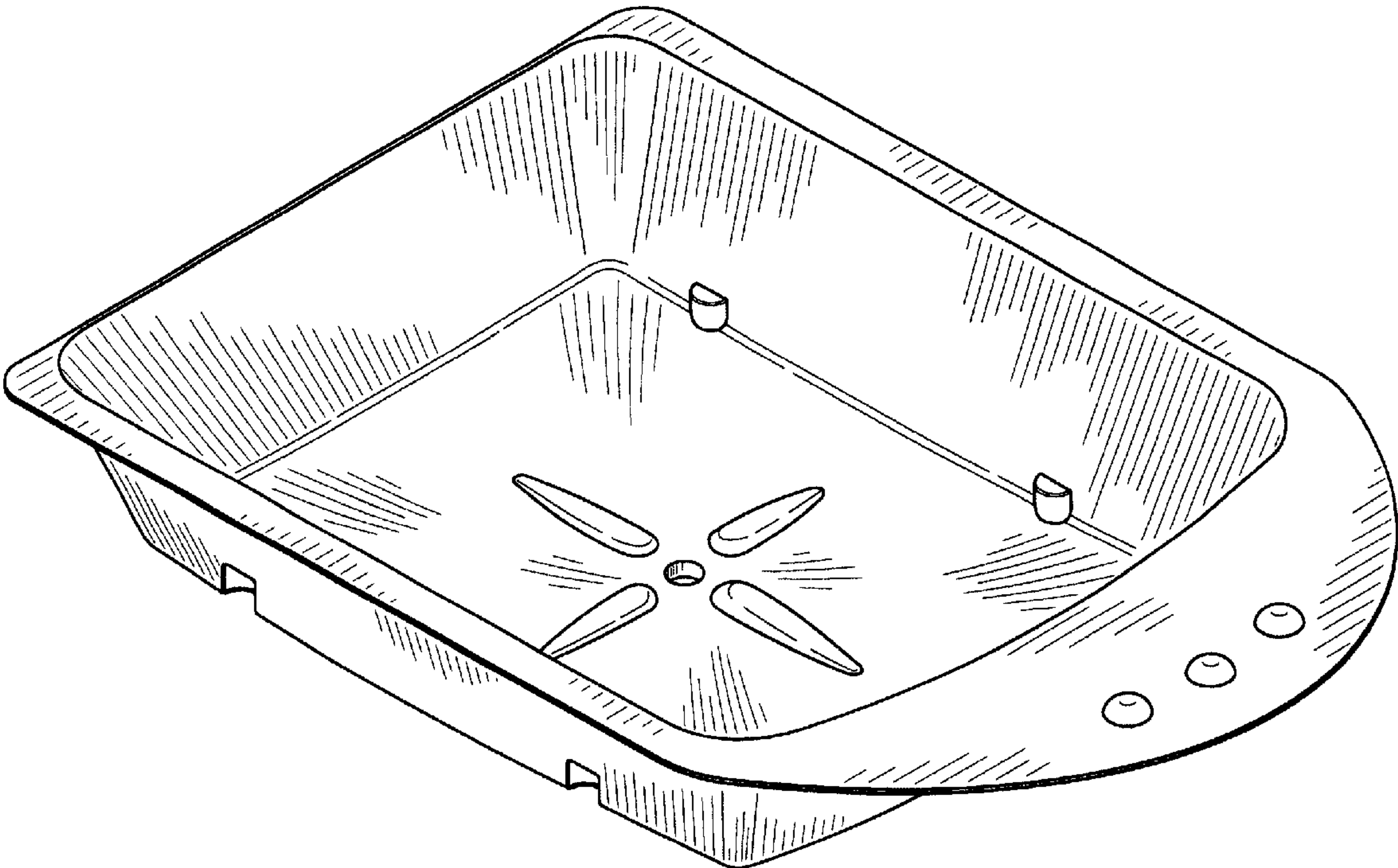


FIG. 1

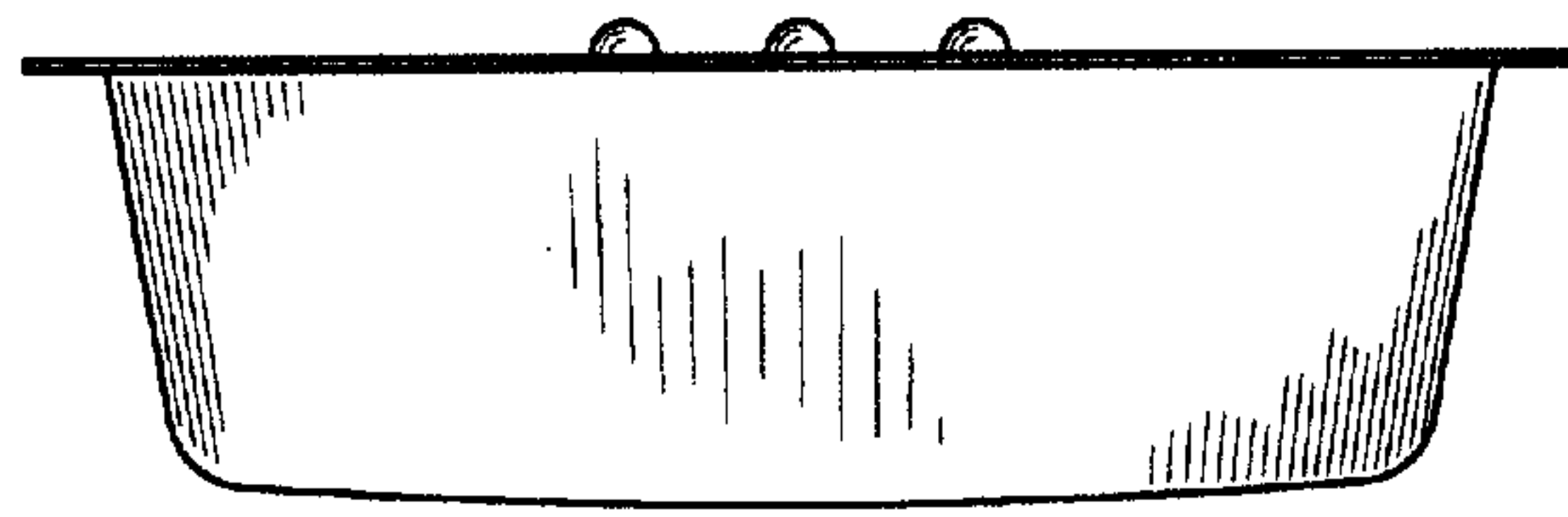


FIG. 2

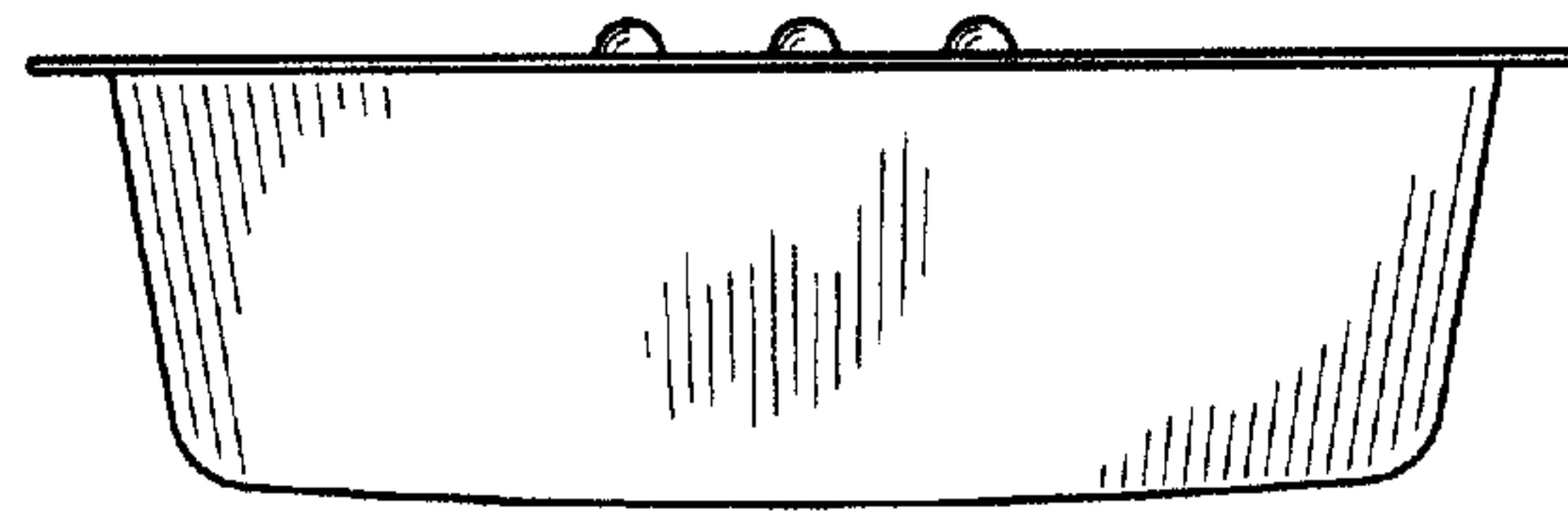


FIG. 3

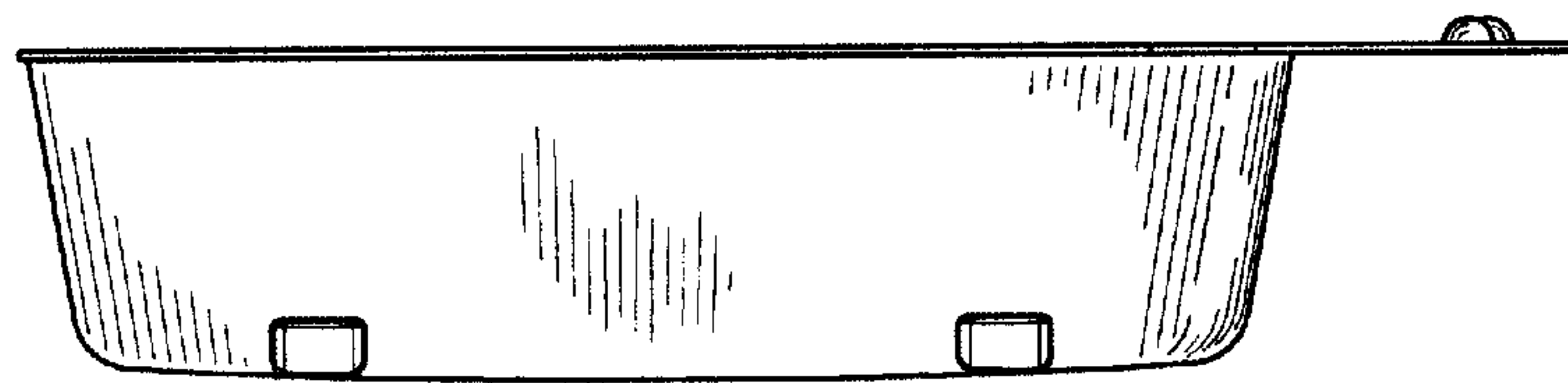


FIG. 4

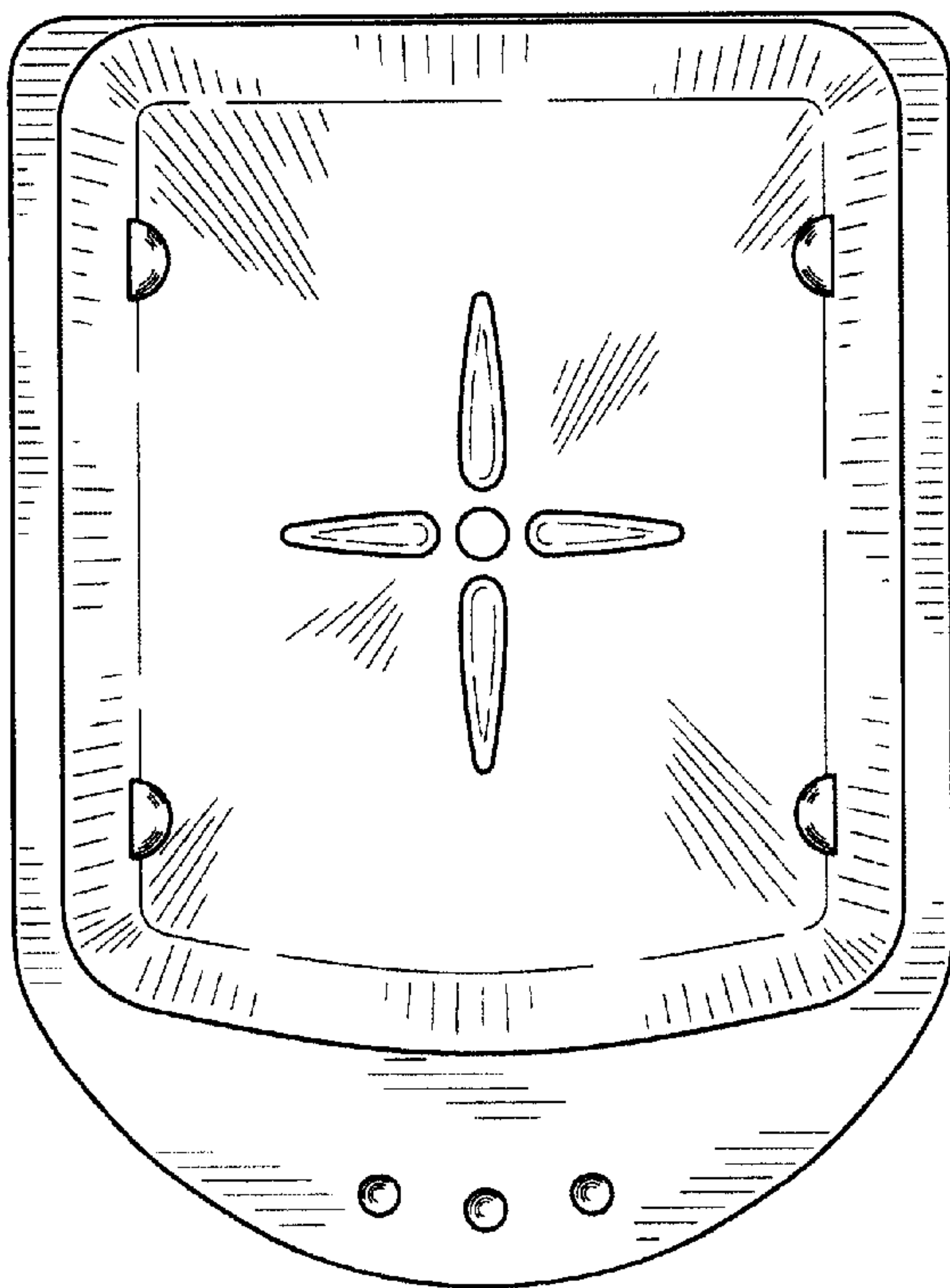


FIG. 5

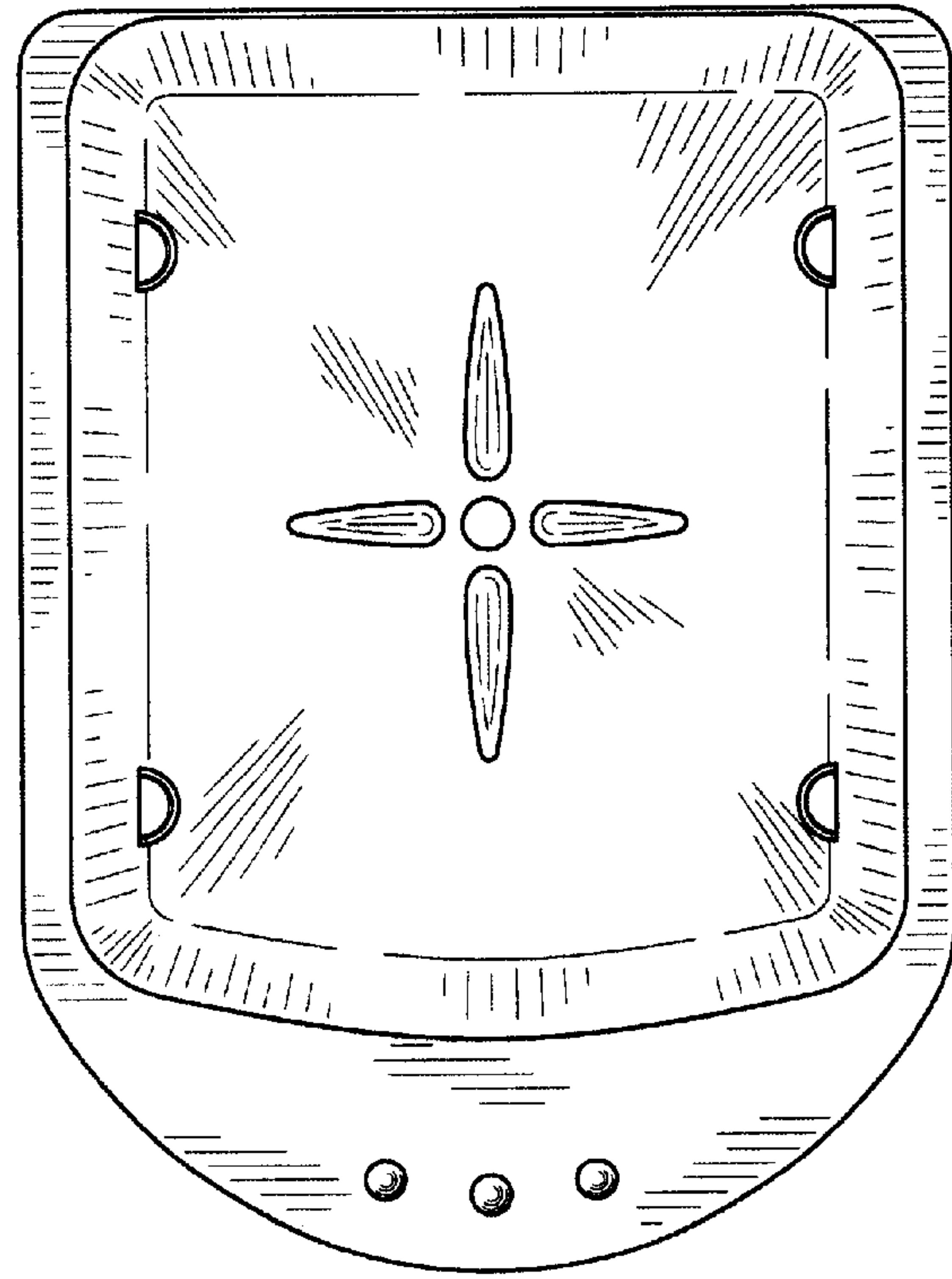


FIG. 6