

US00D542086S

(12) **United States Design Patent** (10) **Patent No.:** **US D542,086 S**  
**Moore** (45) **Date of Patent:** **\*\* May 8, 2007**

(54) **FOOD PROCESSOR BASE** D343,547 S \* 1/1994 Levin ..... D7/386  
 D369,512 S \* 5/1996 Brady ..... D7/386  
 (75) Inventor: **Devin Lee Moore**, Decatur, GA (US) D376,951 S \* 12/1996 Rorke ..... D7/386  
 D380,121 S \* 6/1997 Davidson et al. .... D7/386  
 (73) Assignee: **Conair Corporation**, Stamford, CT D389,696 S \* 1/1998 Feil ..... D7/386  
 (US) 6,135,019 A \* 10/2000 Chou ..... 99/513  
 D532,251 S \* 11/2006 Kassenaar ..... D7/378

(\*\*) Term: **14 Years**

\* cited by examiner

(21) Appl. No.: **29/261,622**

*Primary Examiner*—Cathron C. Brooks

(22) Filed: **Jun. 16, 2006**

*Assistant Examiner*—Ricky Pham

(51) **LOC (8) Cl.** ..... **31-00**

(74) *Attorney, Agent, or Firm*—Lawrence Cruz; Steven A. Garner

(52) **U.S. Cl.** ..... **D7/386**

(57) **CLAIM**

(58) **Field of Classification Search** ..... D7/376–386,  
 D7/412–414, 665; 99/509–511; 241/30–37.5,  
 241/101.01–101.2, 166–169.1, 274–278.2,  
 241/285.1–285.3, 291, 292.1; 366/64–67,  
 366/98, 197–221, 241–254, 279–292, 341–343,  
 366/325.94

The ornamental design for a food processor base, as shown and described.

See application file for complete search history.

**DESCRIPTION**

(56) **References Cited**

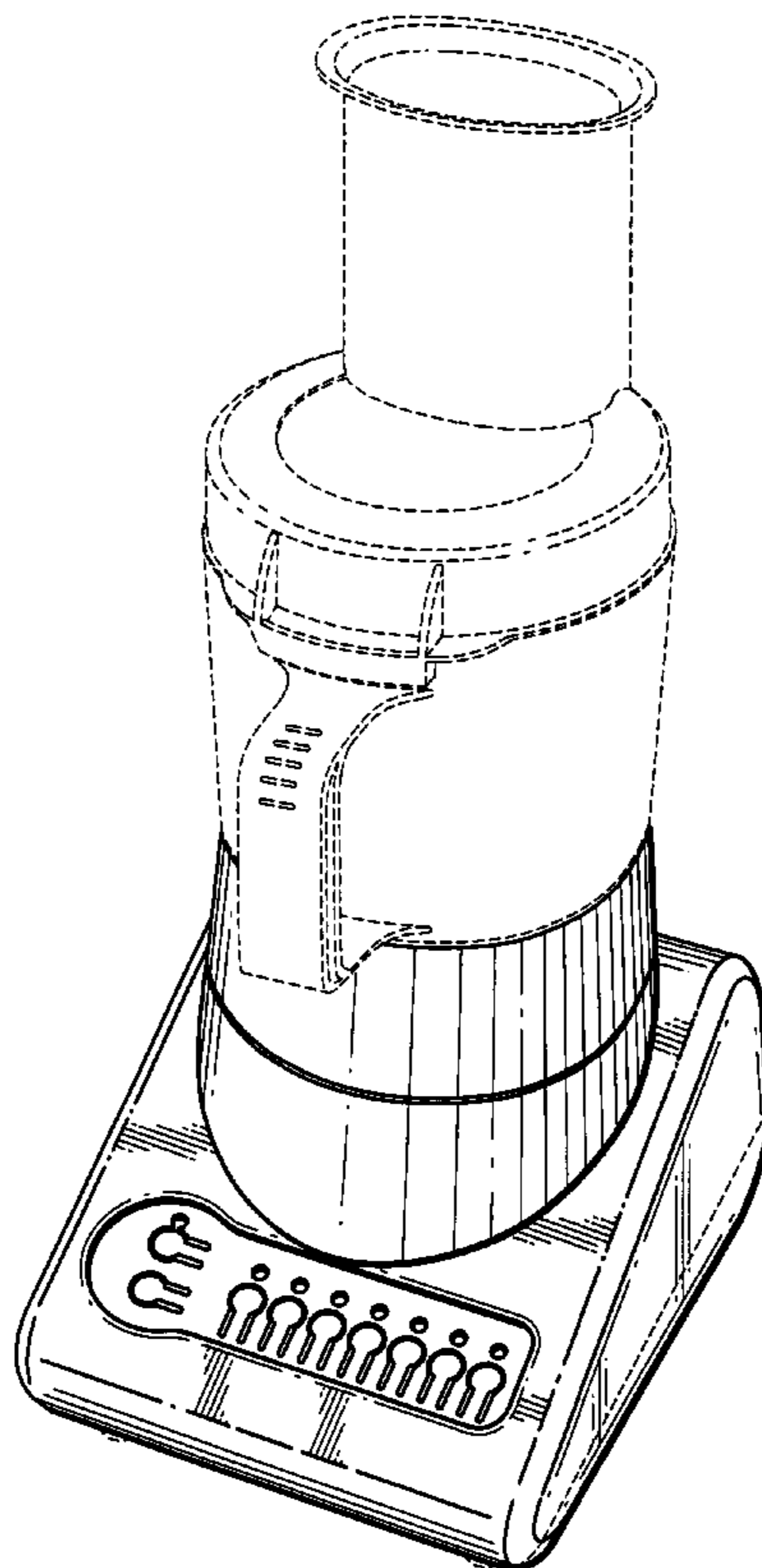
FIG. 1 is a perspective view of a food processor base showing my new design;  
 FIG. 2 is a front view thereof;  
 FIG. 3 is a rear view thereof;  
 FIG. 4 is a right side view thereof;  
 FIG. 5 is a bottom view thereof; and,  
 FIG. 6 is a top view.

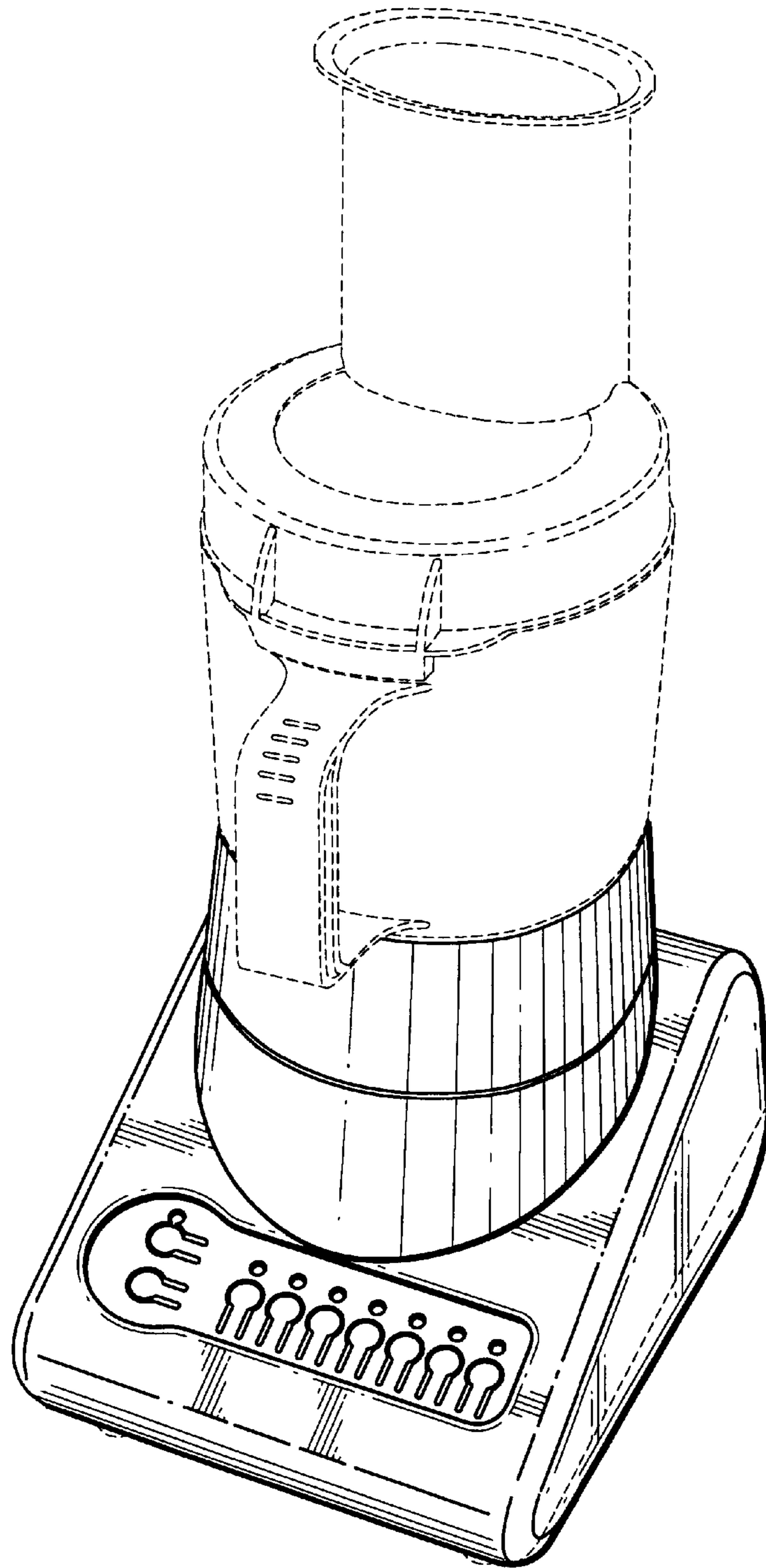
**U.S. PATENT DOCUMENTS**

D235,608 S \* 7/1975 Yoshida et al. .... D7/378  
 D251,231 S \* 3/1979 Hashimoto ..... D7/384  
 D290,218 S \* 6/1987 Thomas ..... D7/412  
 D337,240 S \* 7/1993 Levin ..... D7/386  
 D339,715 S \* 9/1993 Barrault ..... D7/378  
 D341,749 S \* 11/1993 Correa ..... D7/386

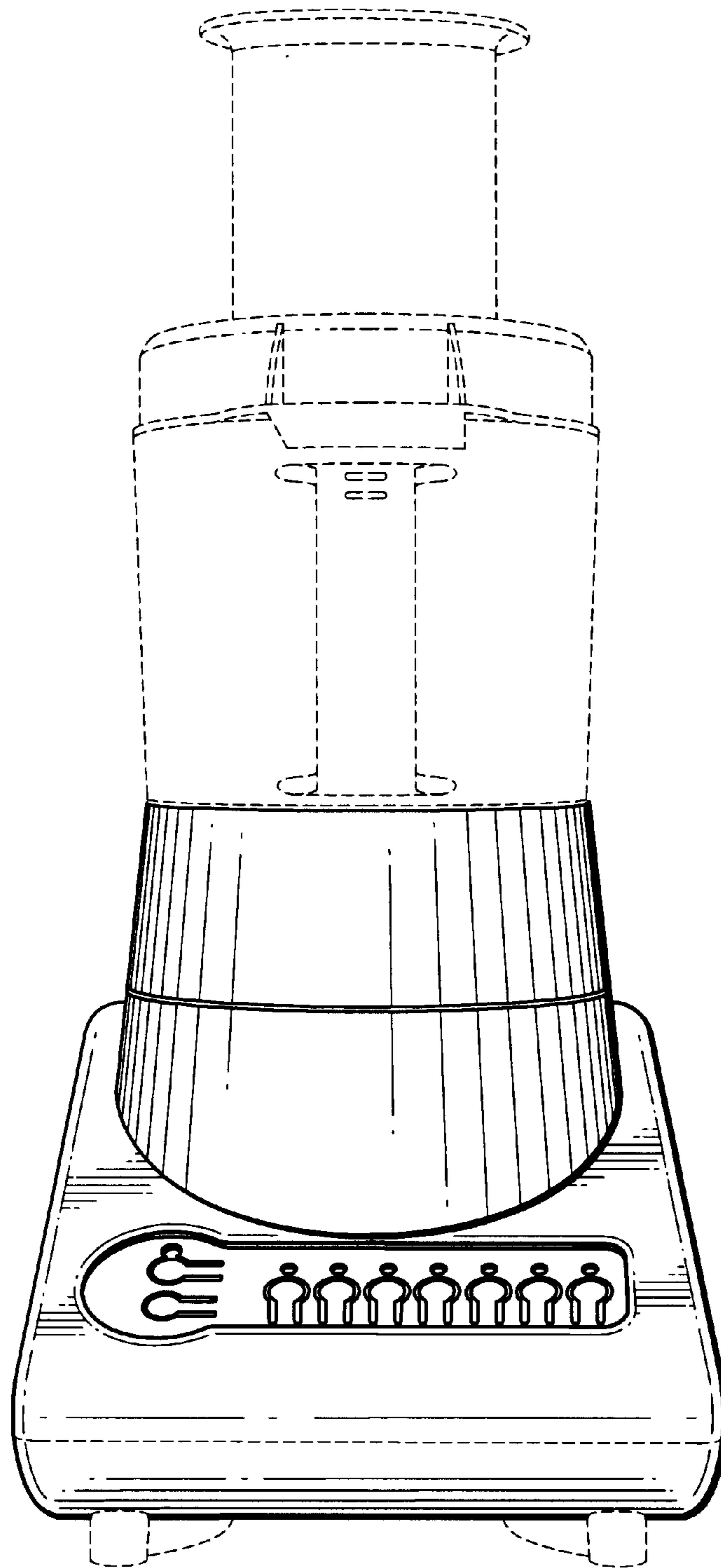
The broken lines are shown for illustrative purposes only and form no part of the claimed design.

**1 Claim, 5 Drawing Sheets**

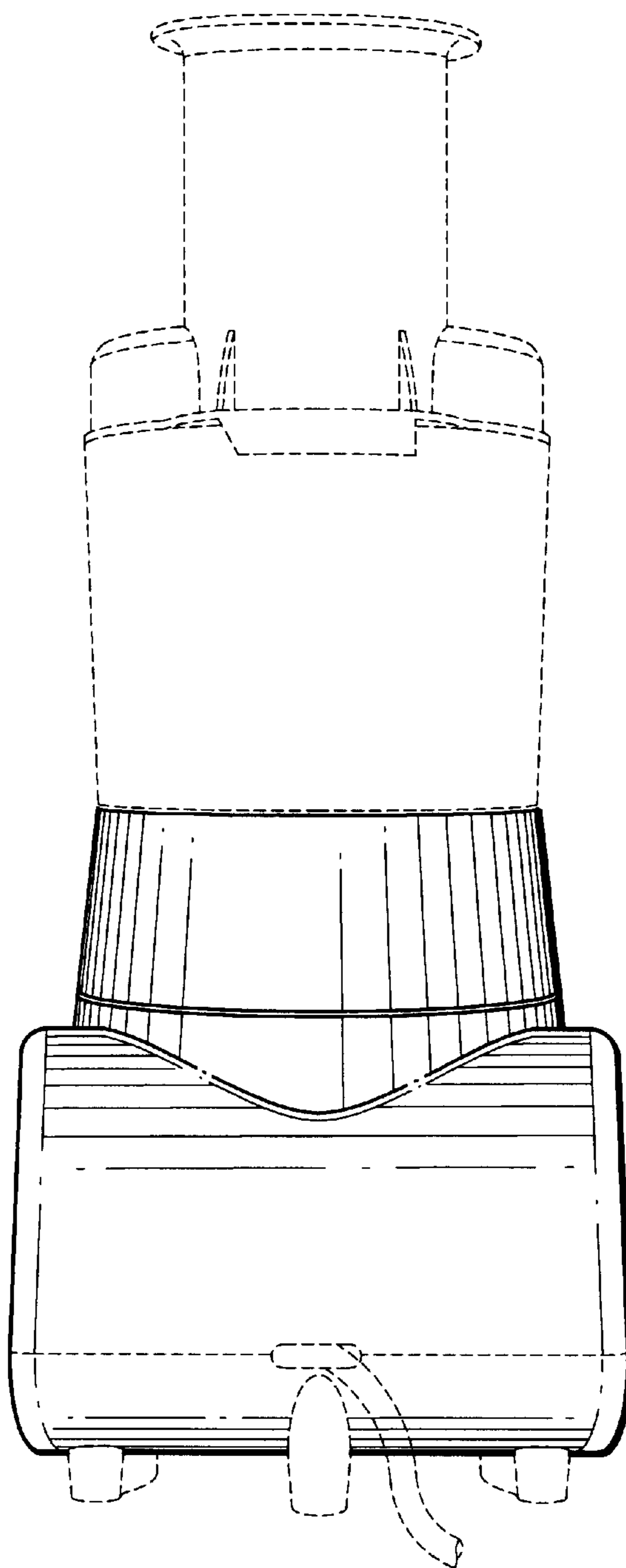




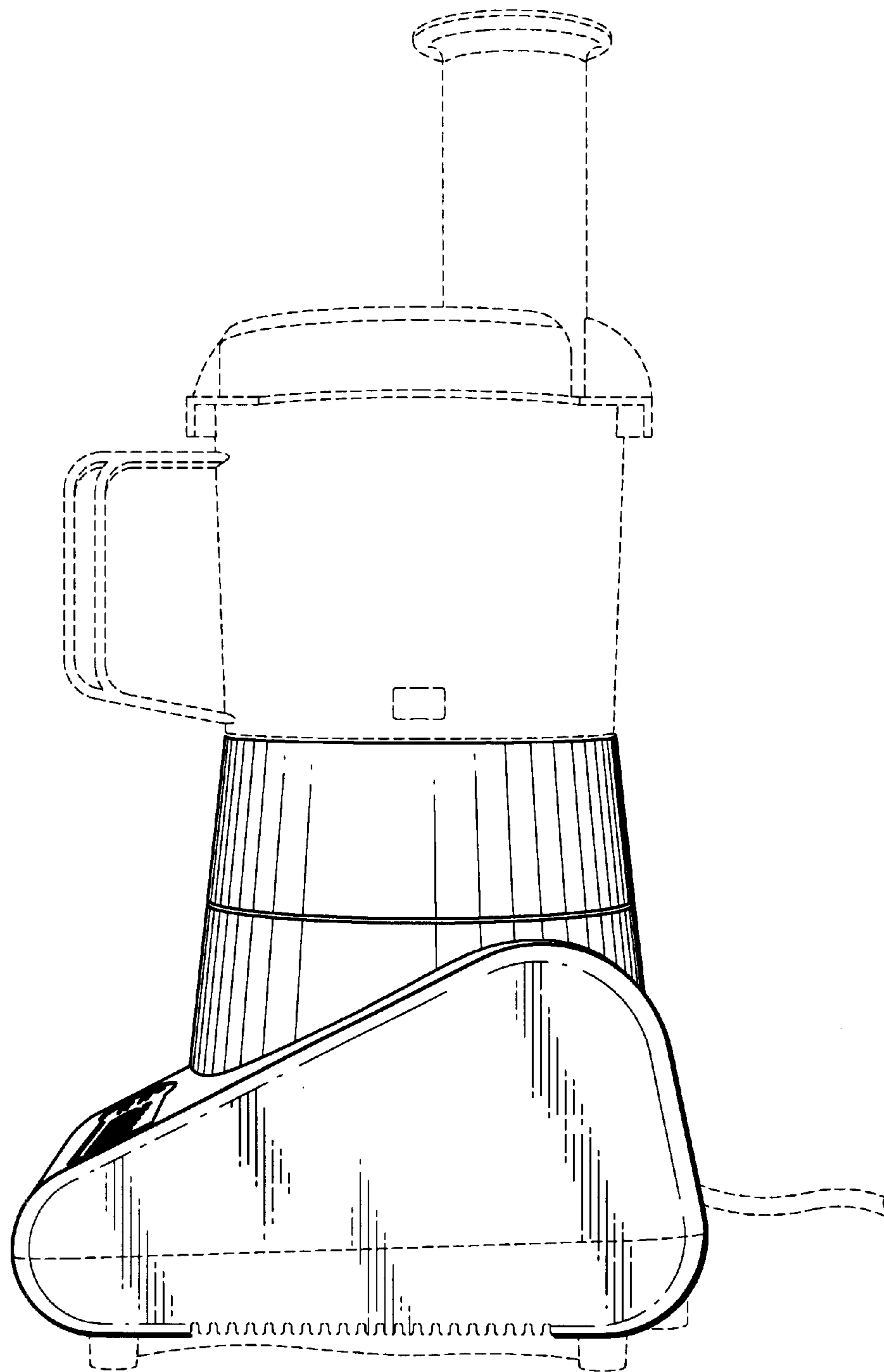
**FIG. 1**



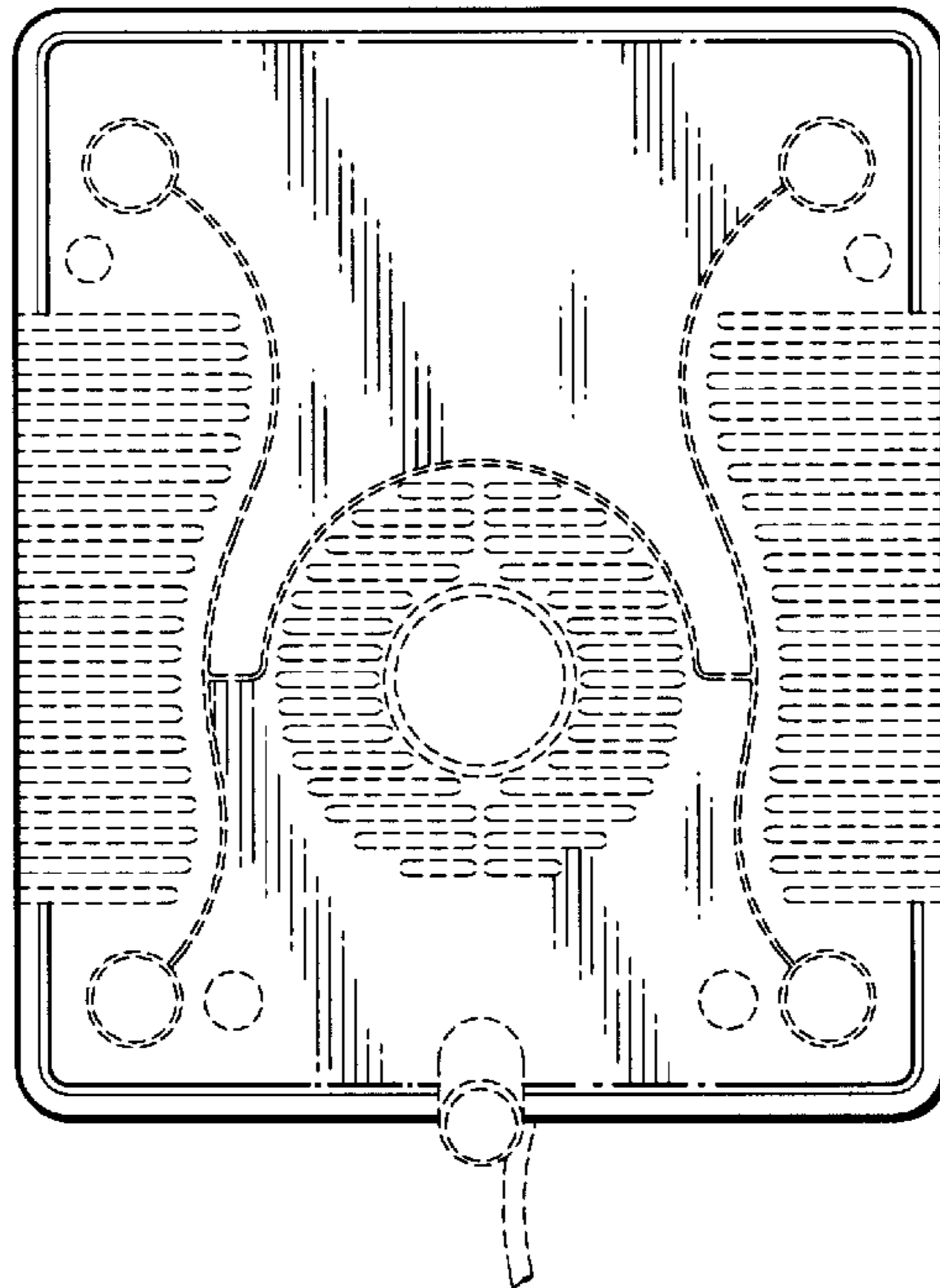
**FIG. 2**



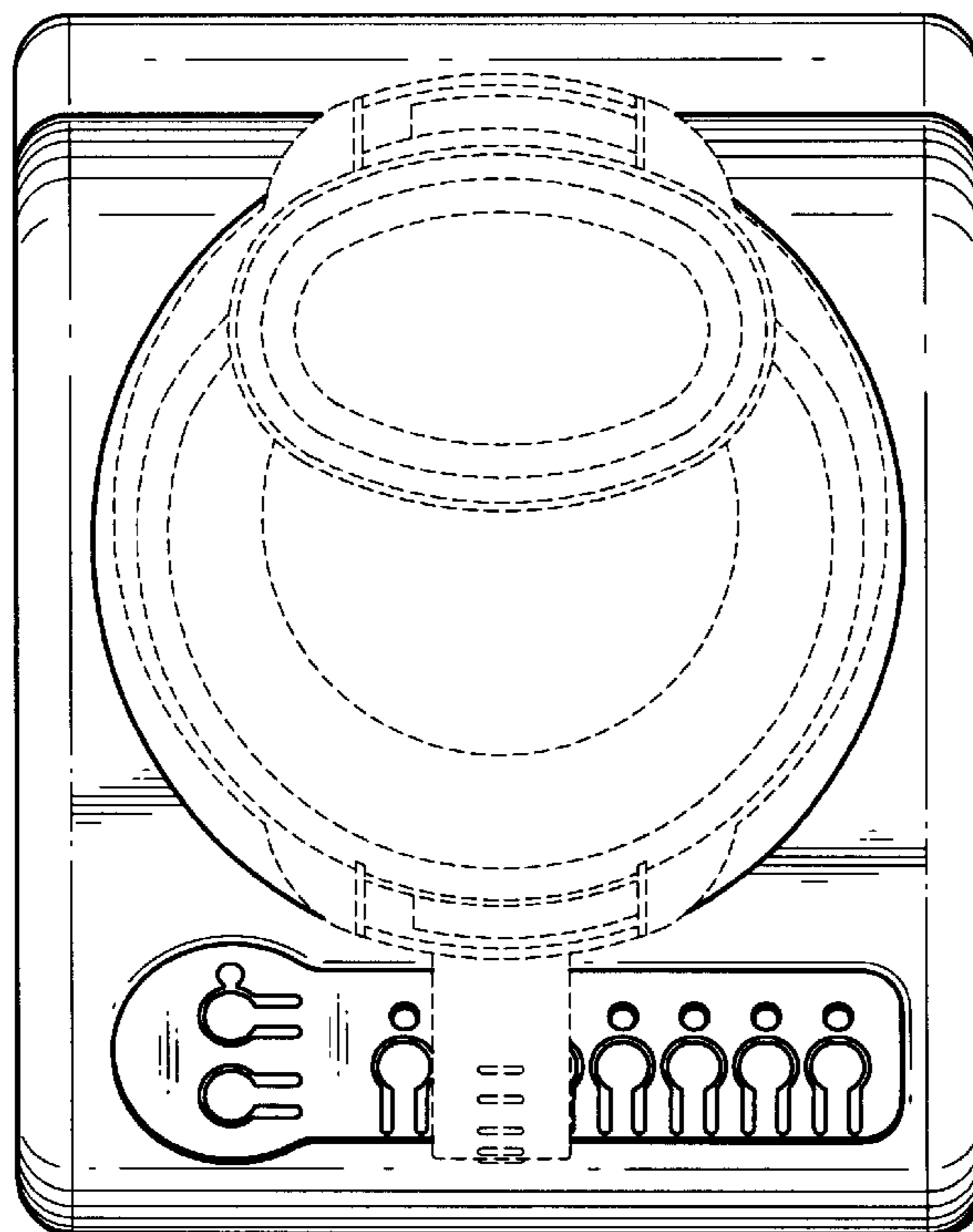
**FIG. 3**



**FIG. 4**



**FIG. 5**



**FIG. 6**