

US00D542082S

(12) **United States Design Patent**
Spiegel et al.

(10) **Patent No.:** **US D542,082 S**

(45) **Date of Patent:** **** May 8, 2007**

(54) **COOKING APPLIANCE**

(75) Inventors: **Peter Spiegel**, Los Angeles, CA (US);
Marsha Kent, Austin, TX (US)

(73) Assignee: **Sylmark Holdings Limited** (IE)

(**) Term: **14 Years**

(21) Appl. No.: **29/246,737**

(22) Filed: **May 5, 2006**

(51) **LOC (8) Cl.** **07-02**

(52) **U.S. Cl.** **D7/354**

(58) **Field of Classification Search** D7/361,
D7/354, 355, 360, 366, 367, 353, 330, 331,
D7/358, 347, 350.3, 336, 338, 339, 359, 350.2,
D7/351, 352, 369; 99/348, 371, 389, 446;
219/620-622

See application file for complete search history.

(56) **References Cited**

U.S. PATENT DOCUMENTS

D283,970 S	*	5/1986	Thevenin	D7/360
D305,971 S	*	2/1990	Janssens	D7/360
D345,280 S	*	3/1994	Powell	D7/354
D365,723 S	*	1/1996	Powell	D7/354
D387,243 S	*	12/1997	Bumoux	D7/354
D397,579 S	*	9/1998	Wu Chang	D7/350.1

D412,263 S	*	7/1999	Jozancy	D7/354
D463,711 S	*	10/2002	Josancy	D7/354
D464,526 S	*	10/2002	Brown	D7/354
D474,937 S	*	5/2003	Josancy	D7/354
D475,570 S	*	6/2003	Josancy	D7/354
D528,853 S	*	9/2006	Lloyd	D7/354
2005/0269309 A1	*	12/2005	Lau et al.	219/441

* cited by examiner

Primary Examiner—Cathron C. Brooks

Assistant Examiner—Ricky Pham

(74) *Attorney, Agent, or Firm*—Kathy Mojibi Kavcioglu

(57) **CLAIM**

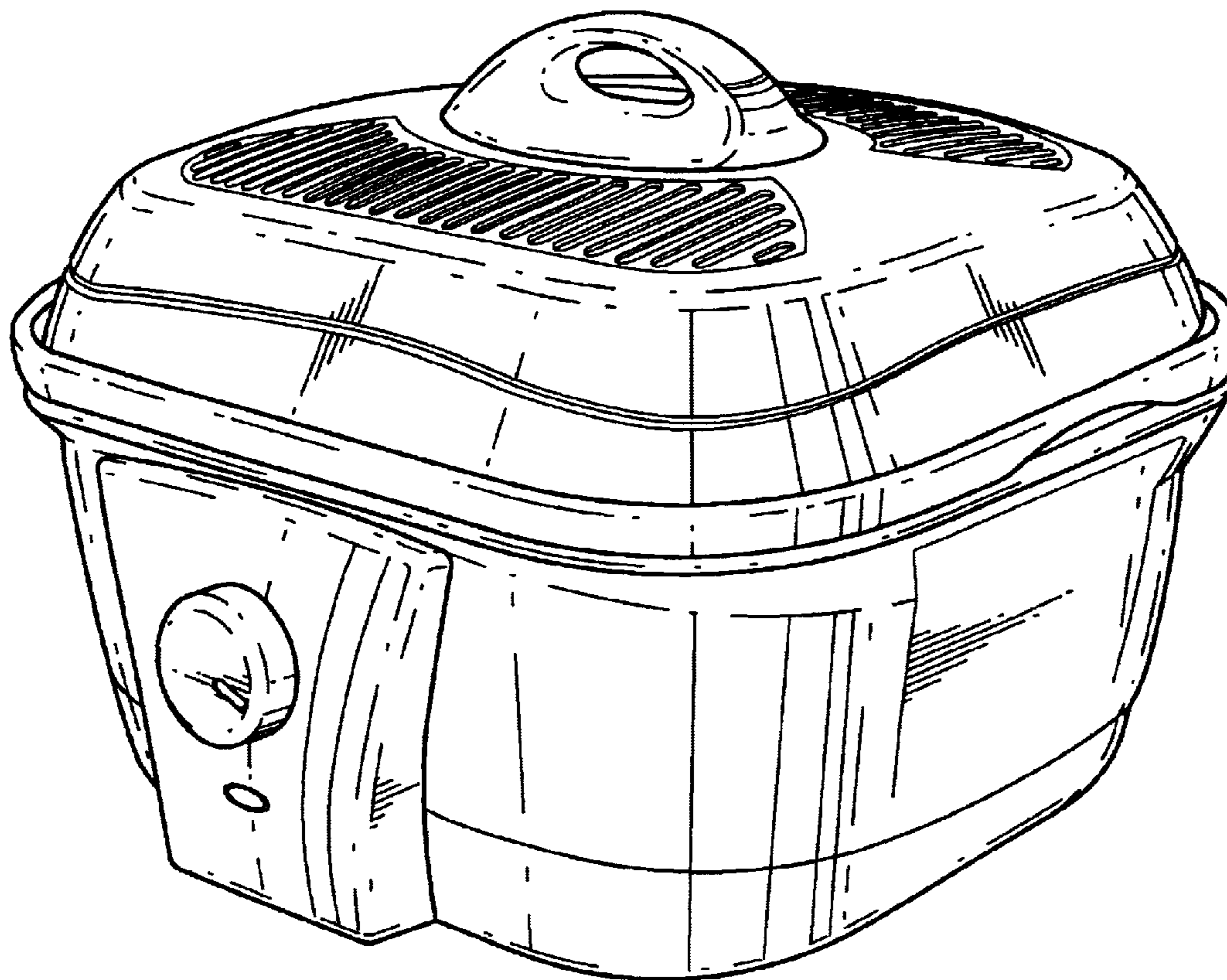
We claim the ornamental design for the cooking appliance, as shown and described.

DESCRIPTION

FIG. 1 is a perspective view of a cooking appliance;
FIG. 2 is a top plan view thereof;
FIG. 3 is a front view thereof;
FIG. 4 is a left side view thereof;
FIG. 5 is a right side view thereof.
FIG. 6 is a rear view thereof; and,
FIG. 7 is a bottom view thereof.

The broken lines in the figures are for illustrative purposes only and form no part of the claimed design.

1 Claim, 4 Drawing Sheets



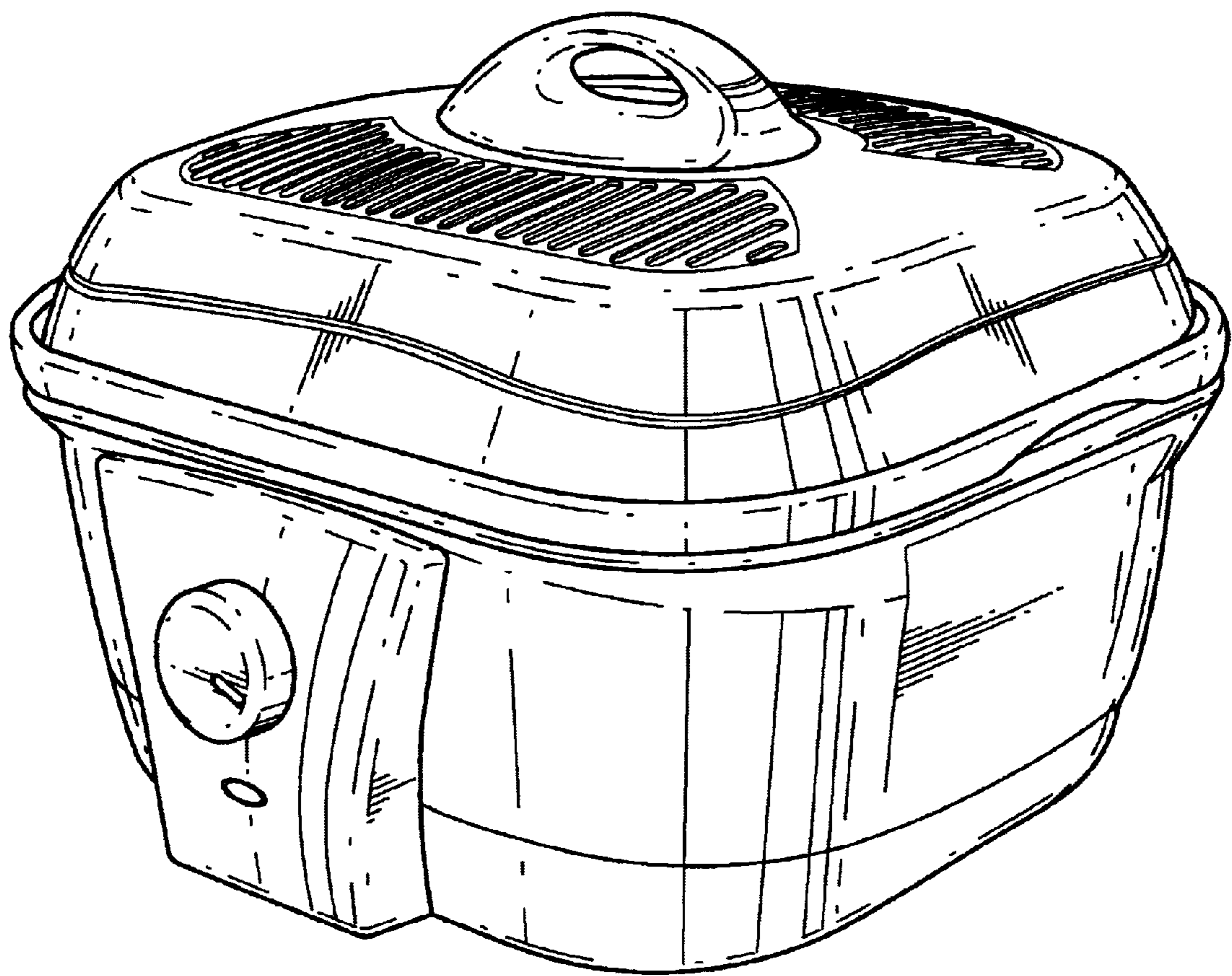


FIG. 1

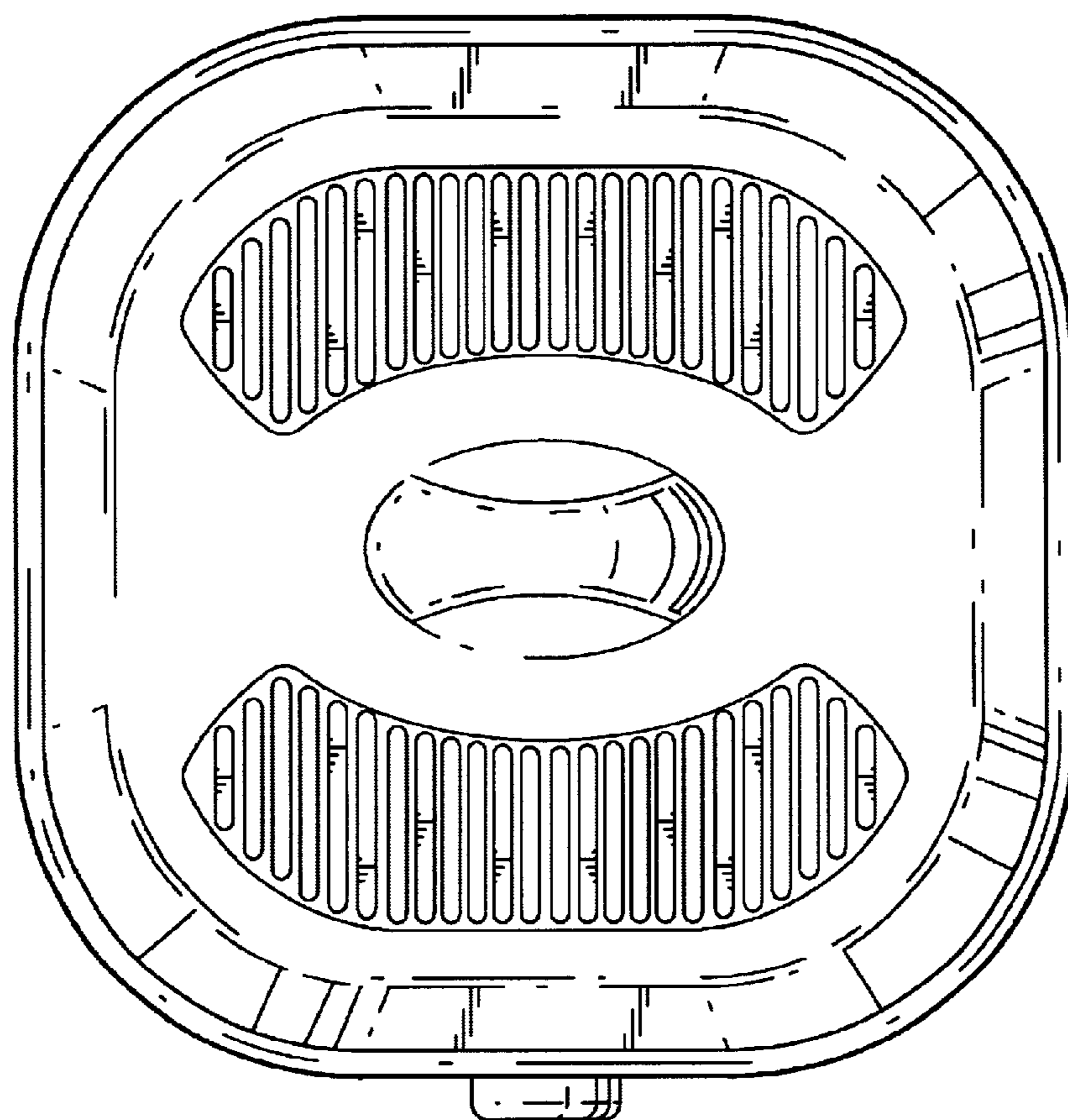


FIG. 2

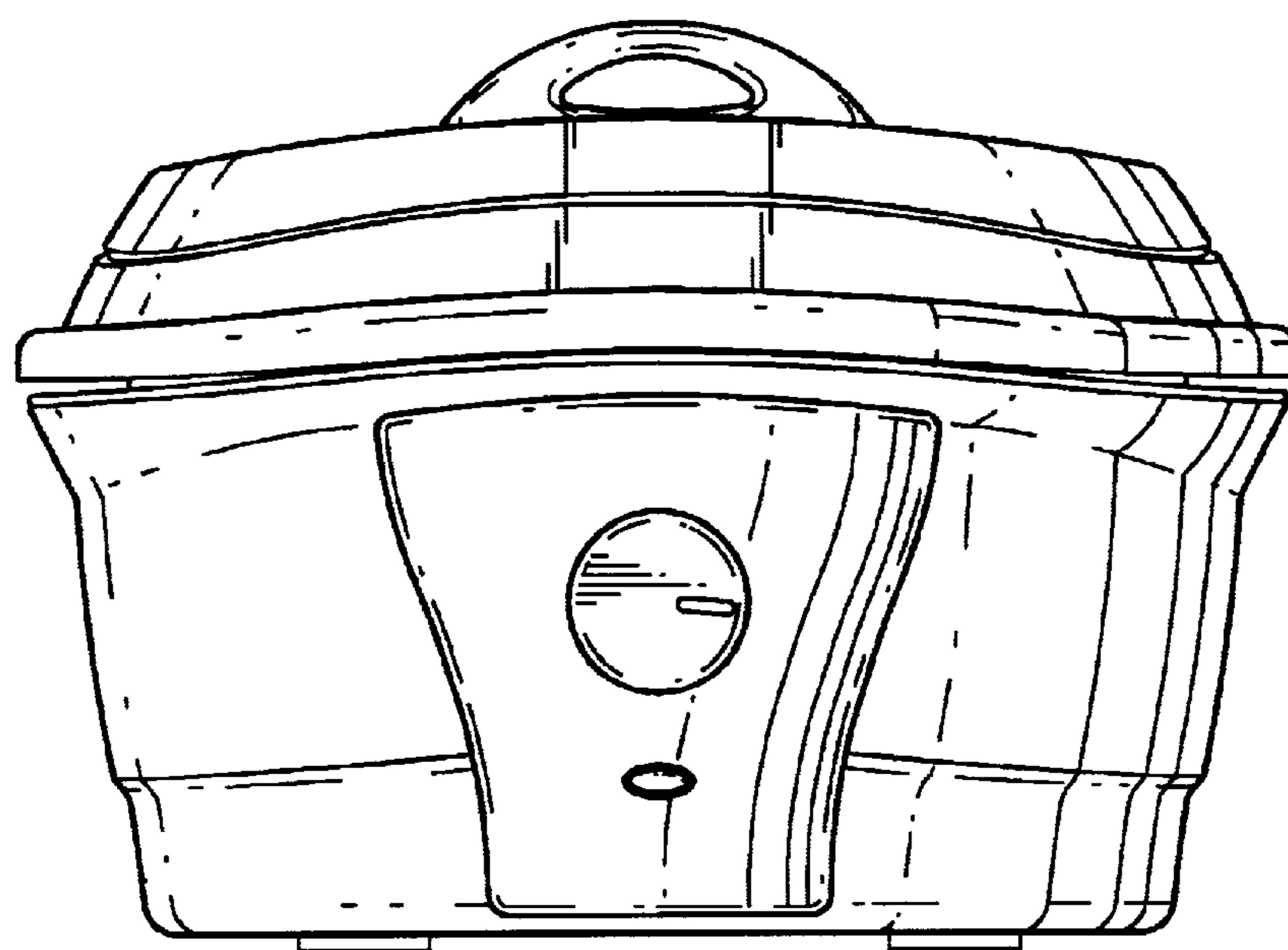


FIG. 3

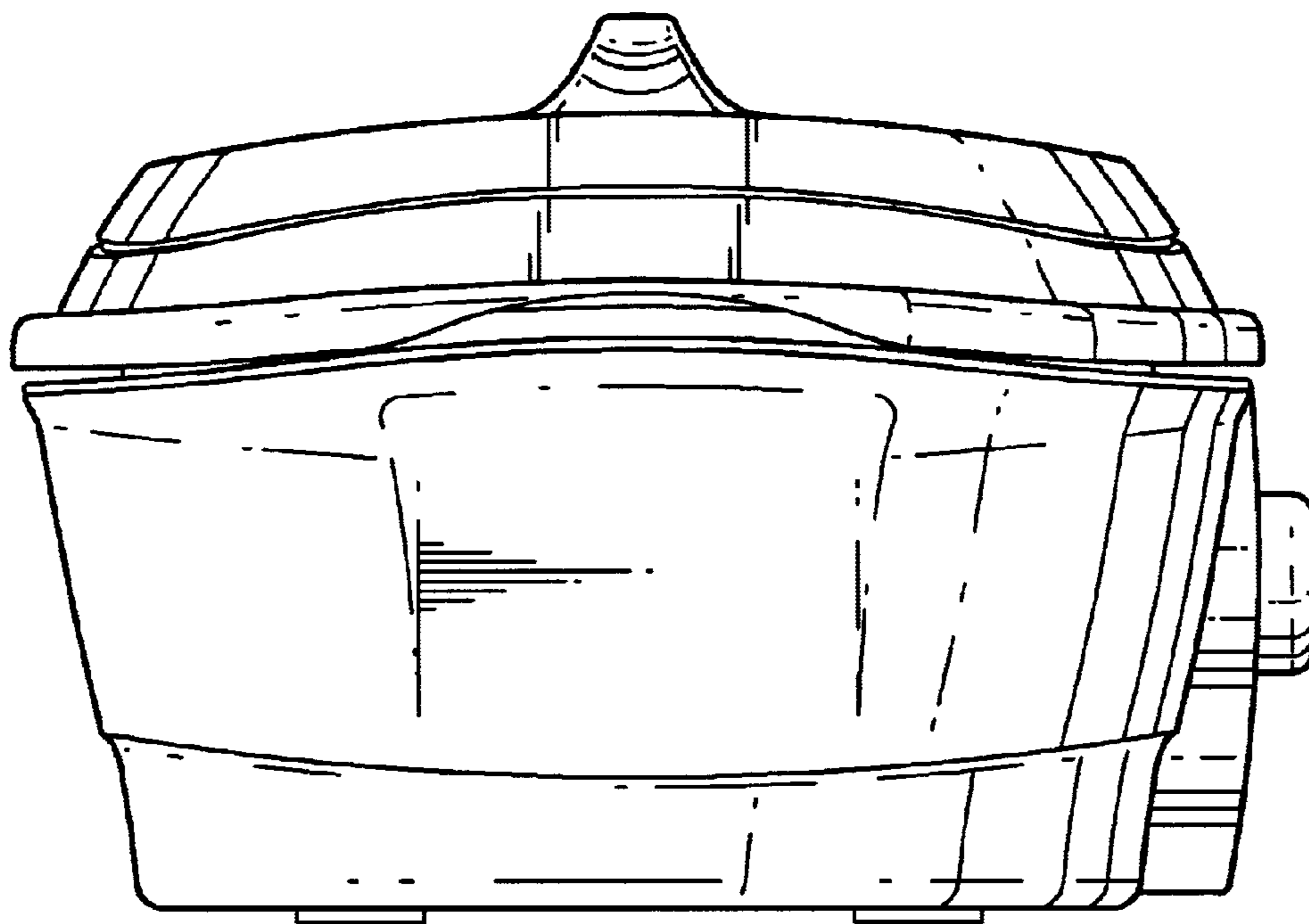


FIG. 4

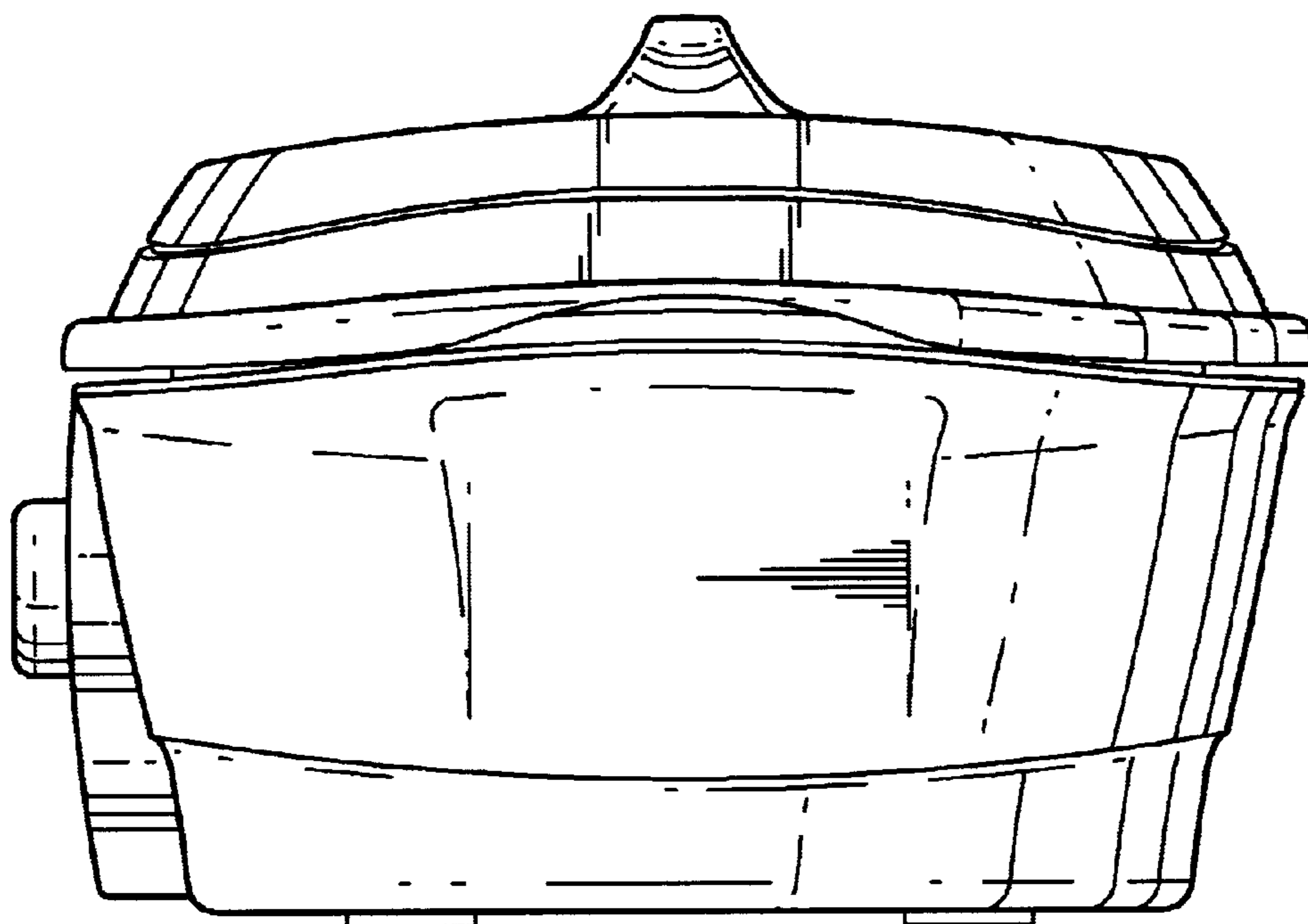


FIG. 5

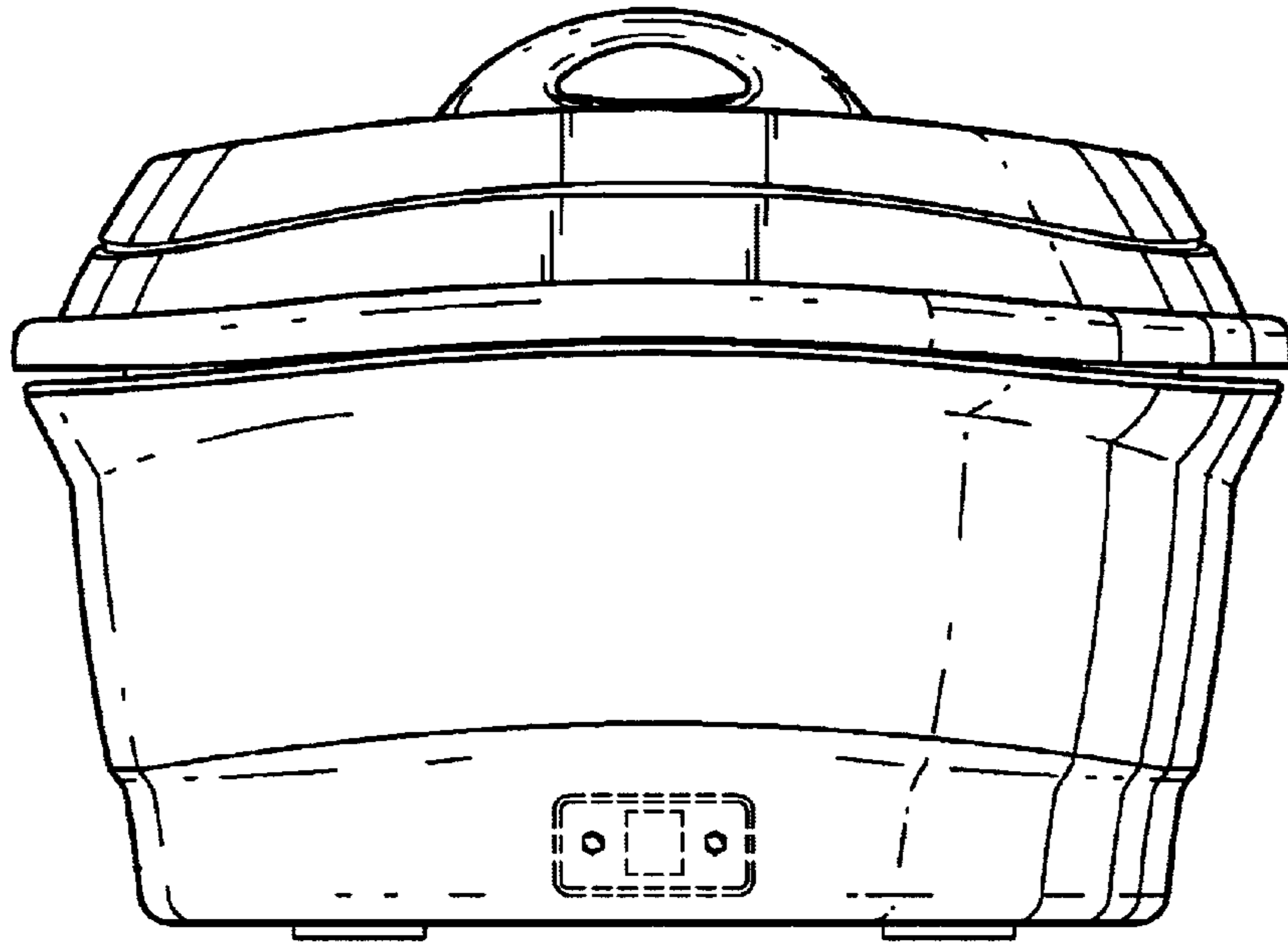


FIG. 6

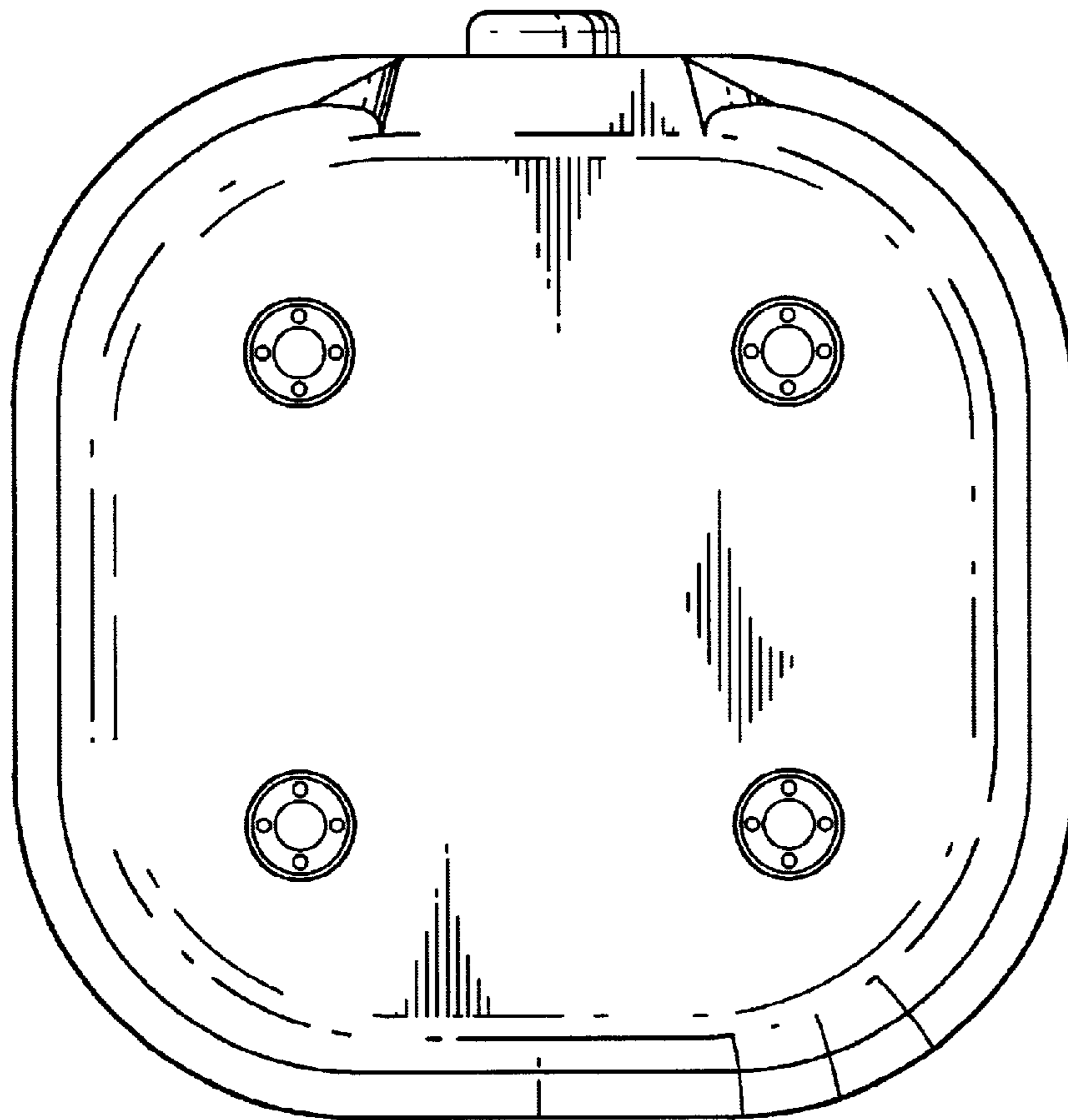


FIG. 7