



US00D542080S

(12) **United States Design Patent**
Trigiani

(10) **Patent No.:** **US D542,080 S**

(45) **Date of Patent:** **** May 8, 2007**

(54) **ELECTRIC COOKING APPARATUS WITH INTERCHANGEABLE DECORATIVE PLATES**

(76) **Inventor:** **Christina Trigiani**, 2 Cherrywood Ct., Cherry Hill, NJ (US) 08003

(**) **Term:** **14 Years**

(21) **Appl. No.:** **29/266,550**

(22) **Filed:** **Sep. 25, 2006**

(51) **LOC (8) Cl.** **07-02**

(52) **U.S. Cl.** **D7/352**

(58) **Field of Classification Search** D7/323,
D7/328-330, 352-361, 409-411, 391, 393-396,
D7/500; 99/140 R, 324, 339, 345, 422, 424,
99/426, 445; 219/620-622, 725-730; 220/573.1-574,
220/912; 222/146, 572
See application file for complete search history.

(56) **References Cited**

U.S. PATENT DOCUMENTS

D134,457 S	*	12/1942	Raiser	D7/353
2,314,872 A	*	3/1943	Dickey	99/340
D179,087 S	*	10/1956	Elso	D7/352
D194,336 S	*	1/1963	Cornwell	D7/352
D248,722 S	*	8/1978	Tsuji	D7/352
D248,813 S	*	8/1978	Mizoguchi	D7/352

D248,815 S	*	8/1978	Mizoguchi	D7/409
D249,446 S	*	9/1978	Madl et al.	D7/352
D276,971 S	*	1/1985	Potts	D7/352
D353,968 S	*	1/1995	Cock	D7/352
5,642,659 A	*	7/1997	Sesona et al.	99/376
D474,071 S	*	5/2003	Wolk et al.	D7/410
6,619,192 B2	*	9/2003	Lee	99/422

* cited by examiner

Primary Examiner—Cathron C. Brooks

Assistant Examiner—Ricky Pham

(57) **CLAIM**

The ornamental design for an electric cooking apparatus with interchangeable decorative plates, as shown.

DESCRIPTION

FIG. 1 is a front elevation view of an electric cooking apparatus with interchangeable decorative plates showing my new design;

FIG. 2 is an inverted rear elevation view of FIG. 1;

FIG. 3 is a left elevation view;

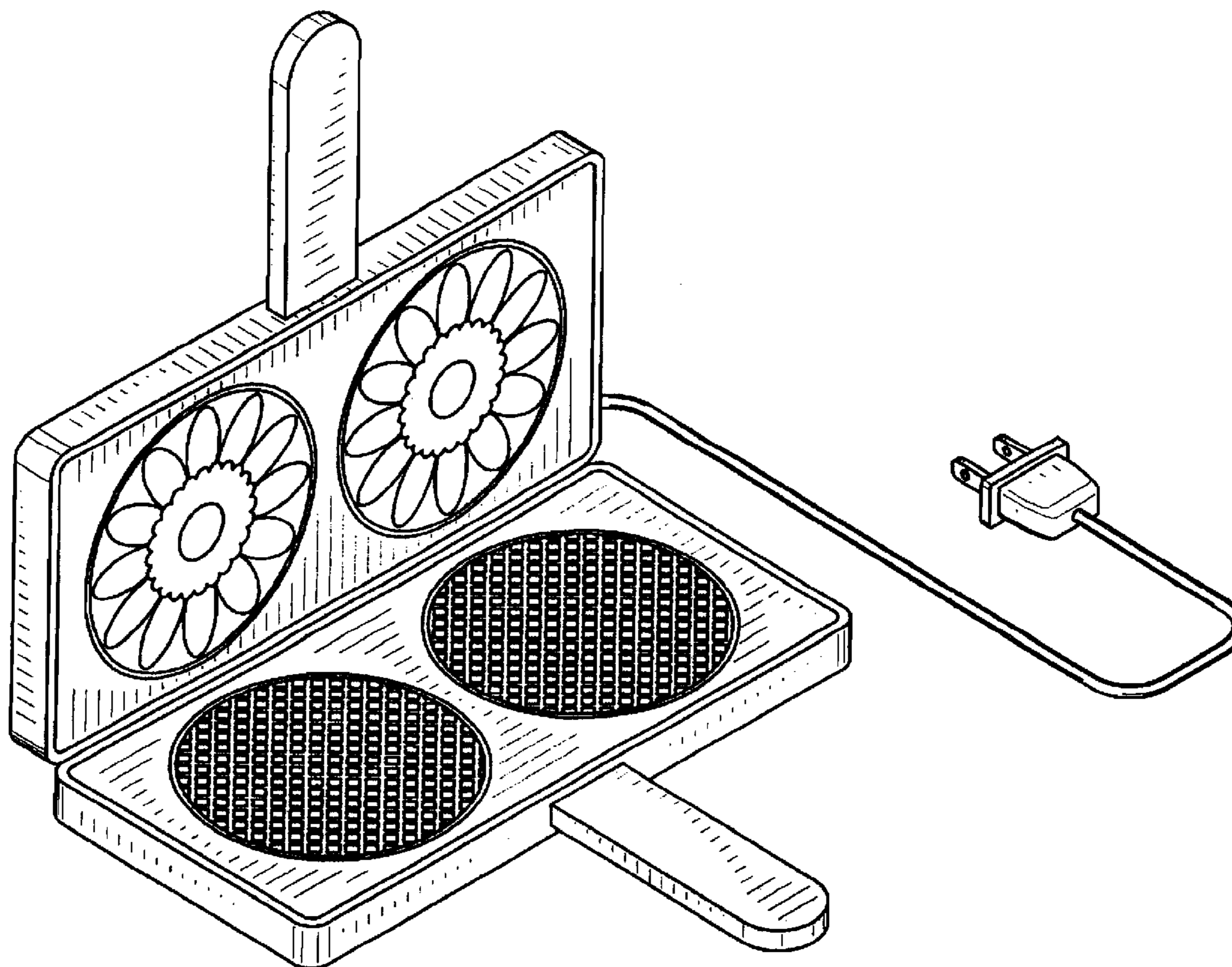
FIG. 4 is a right elevation view;

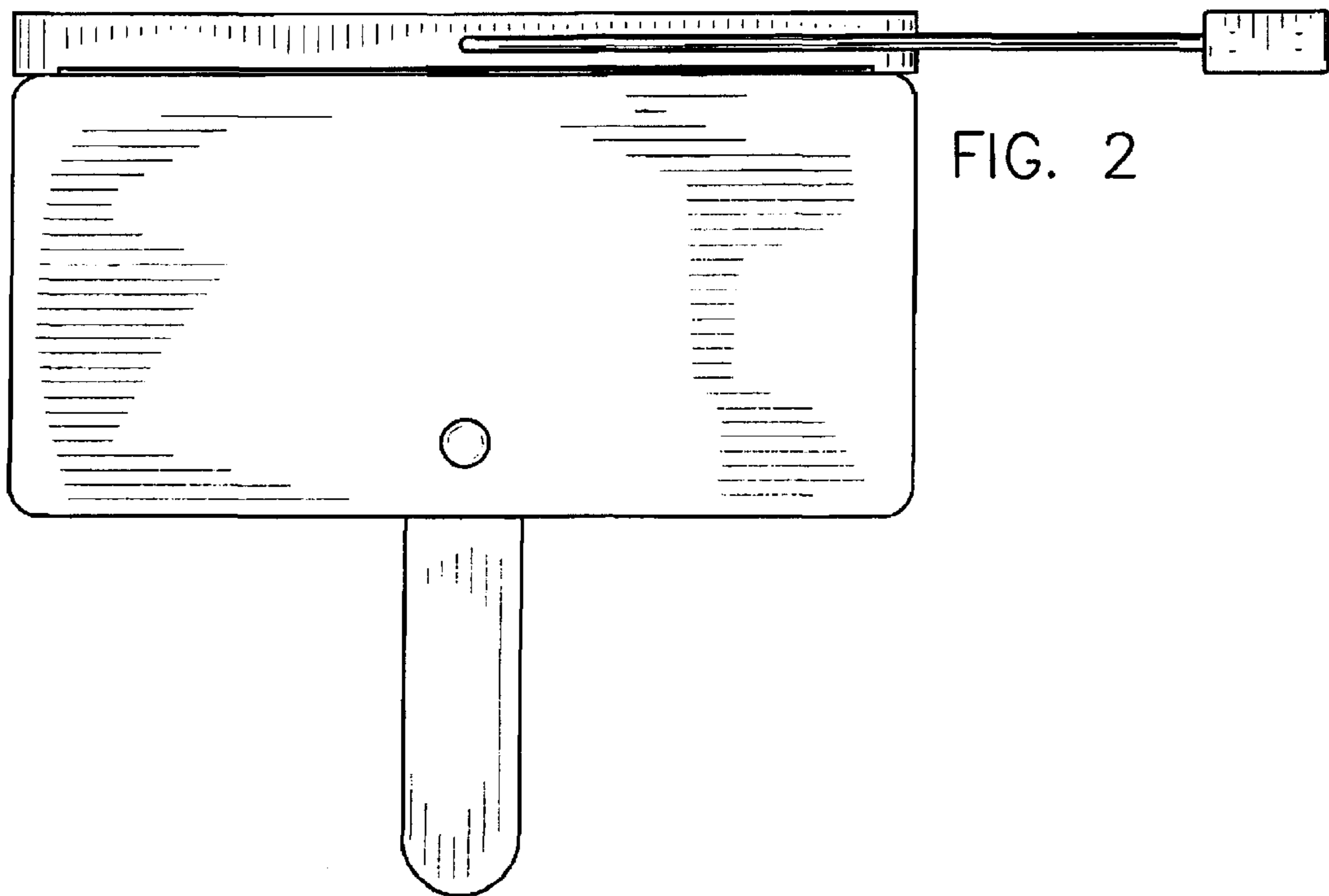
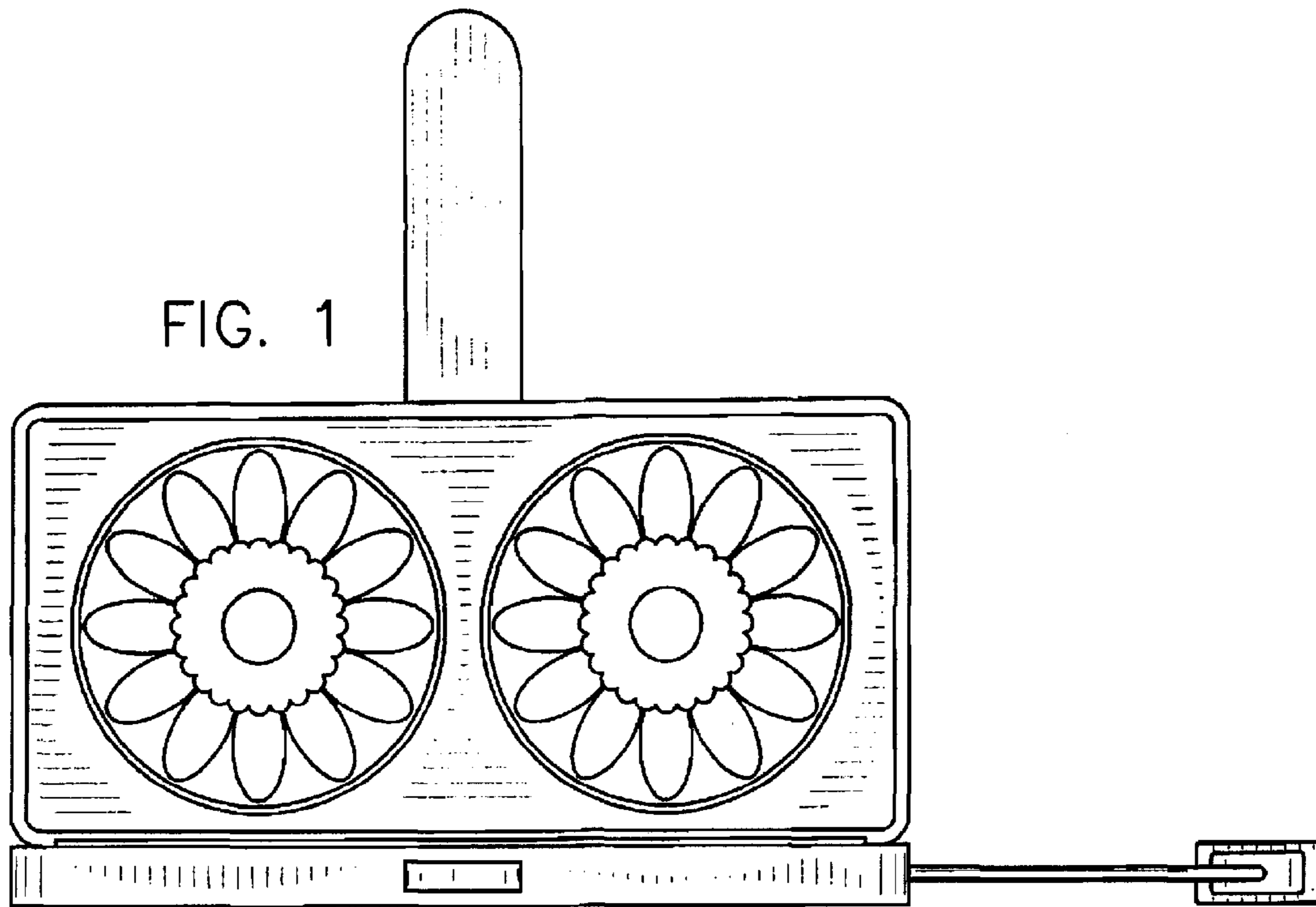
FIG. 5 is a top plan view;

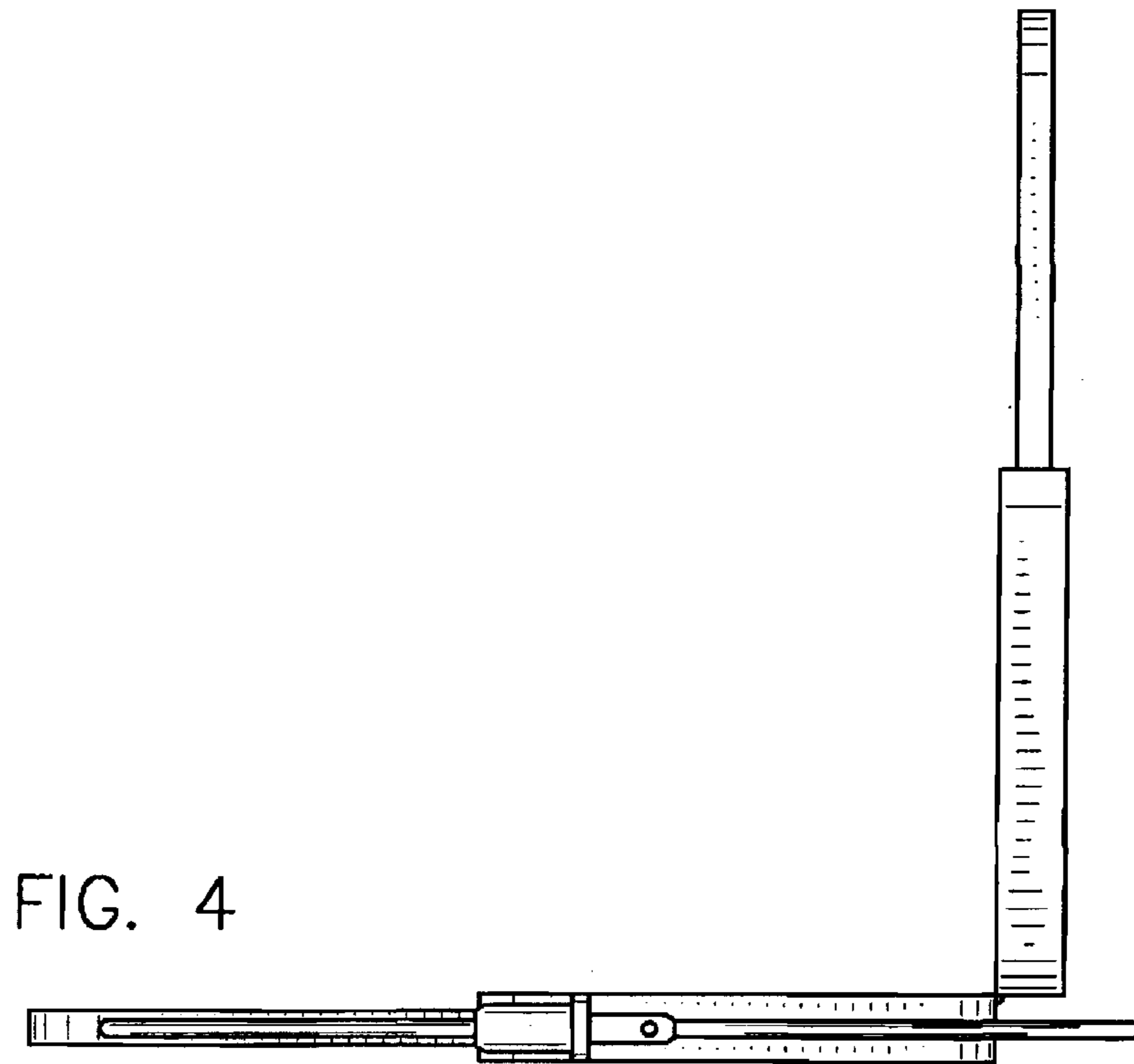
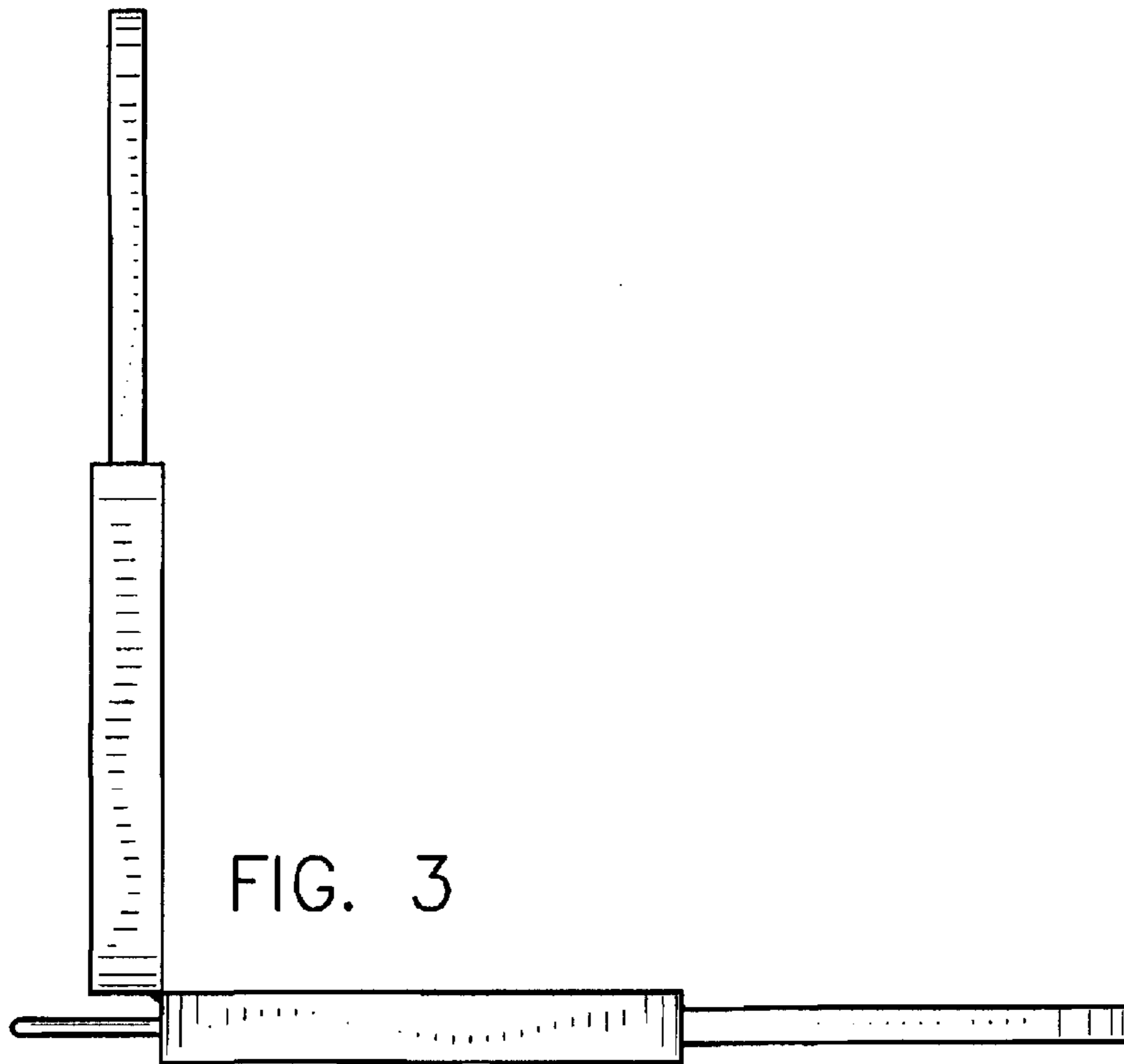
FIG. 6 is a bottom plan view; and,

FIG. 7 is a left side isometric view of an electric cooking apparatus with interchangeable decorative plates showing my new design.

1 Claim, 4 Drawing Sheets







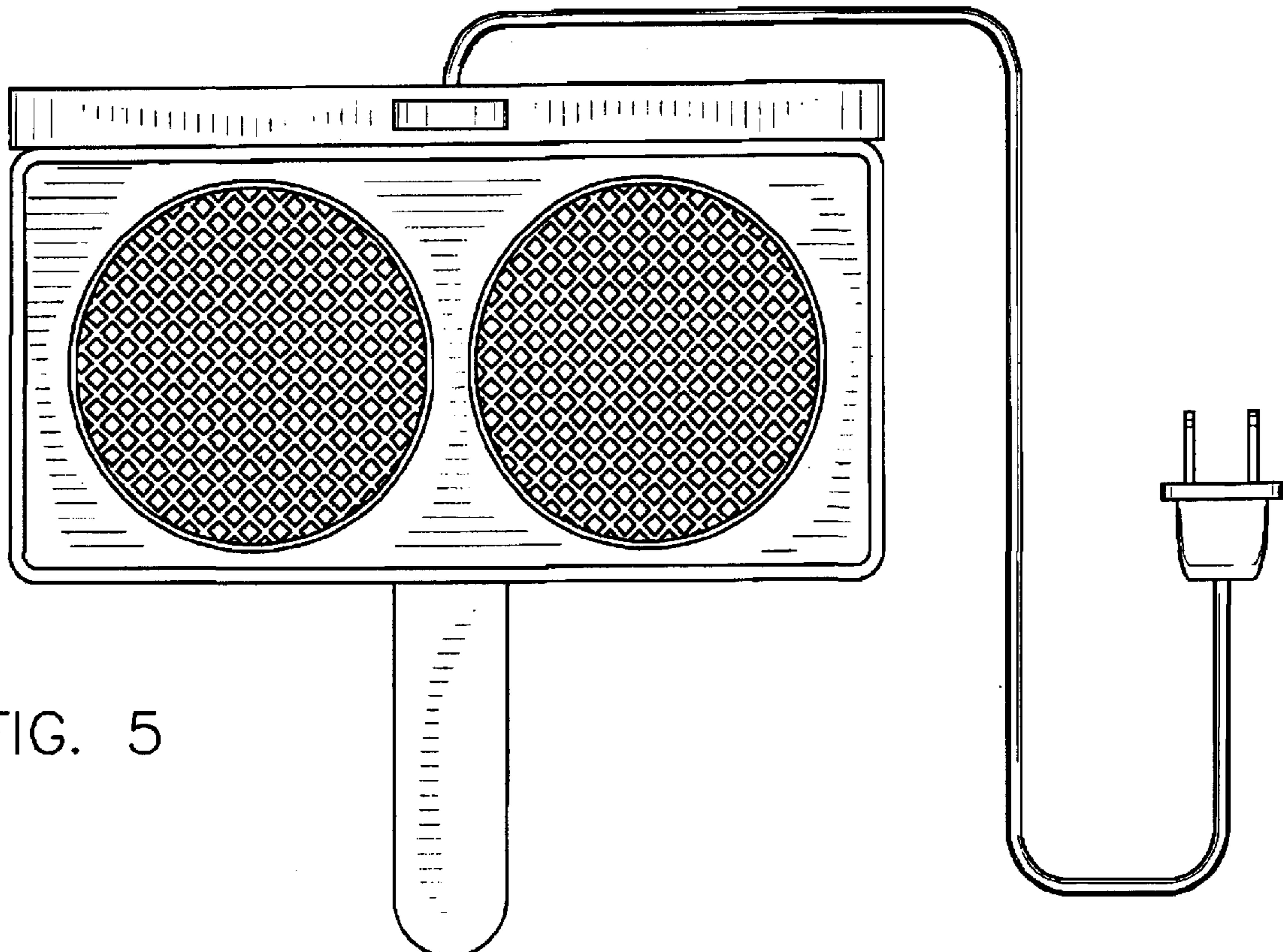


FIG. 5

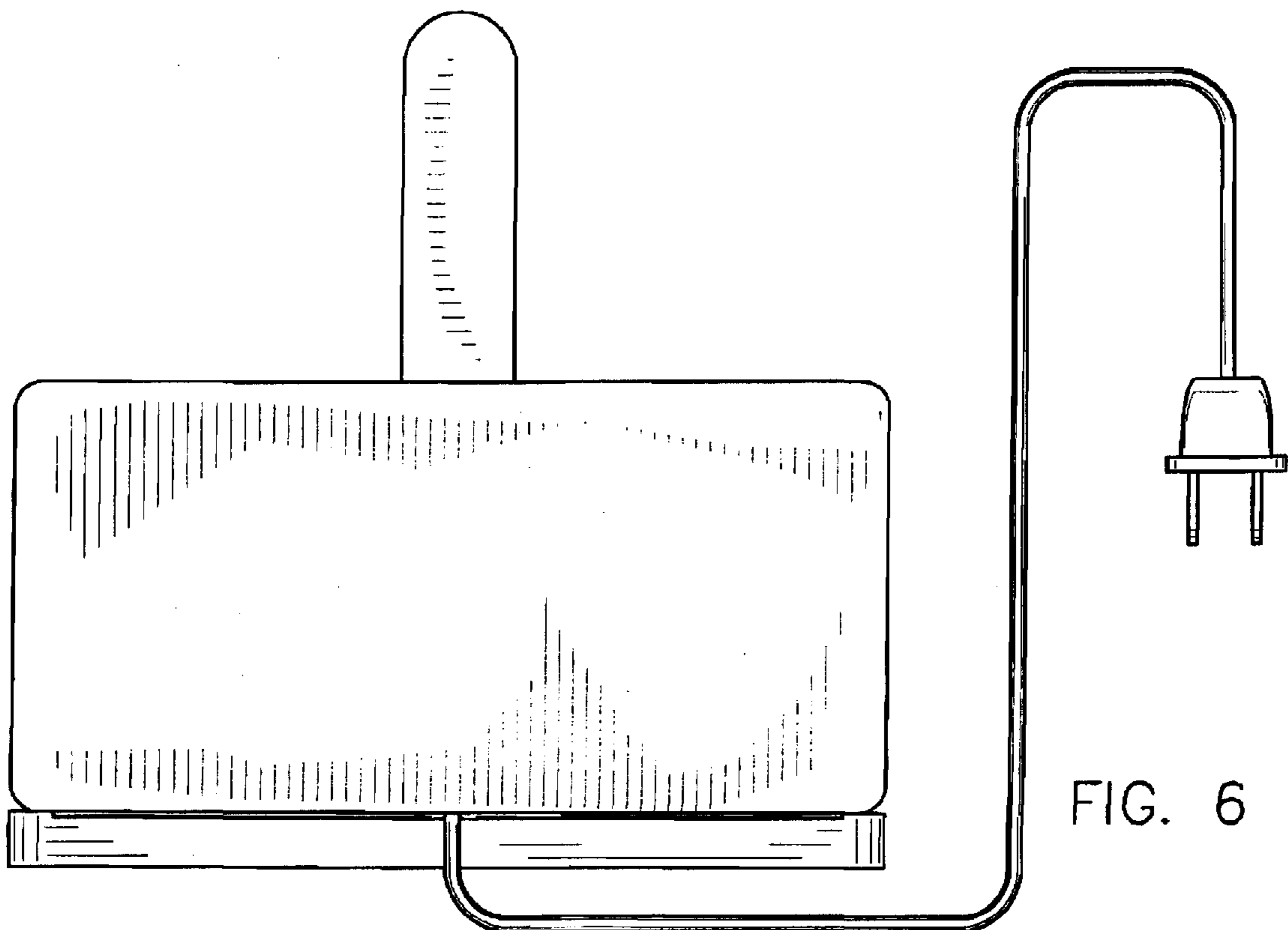


FIG. 6

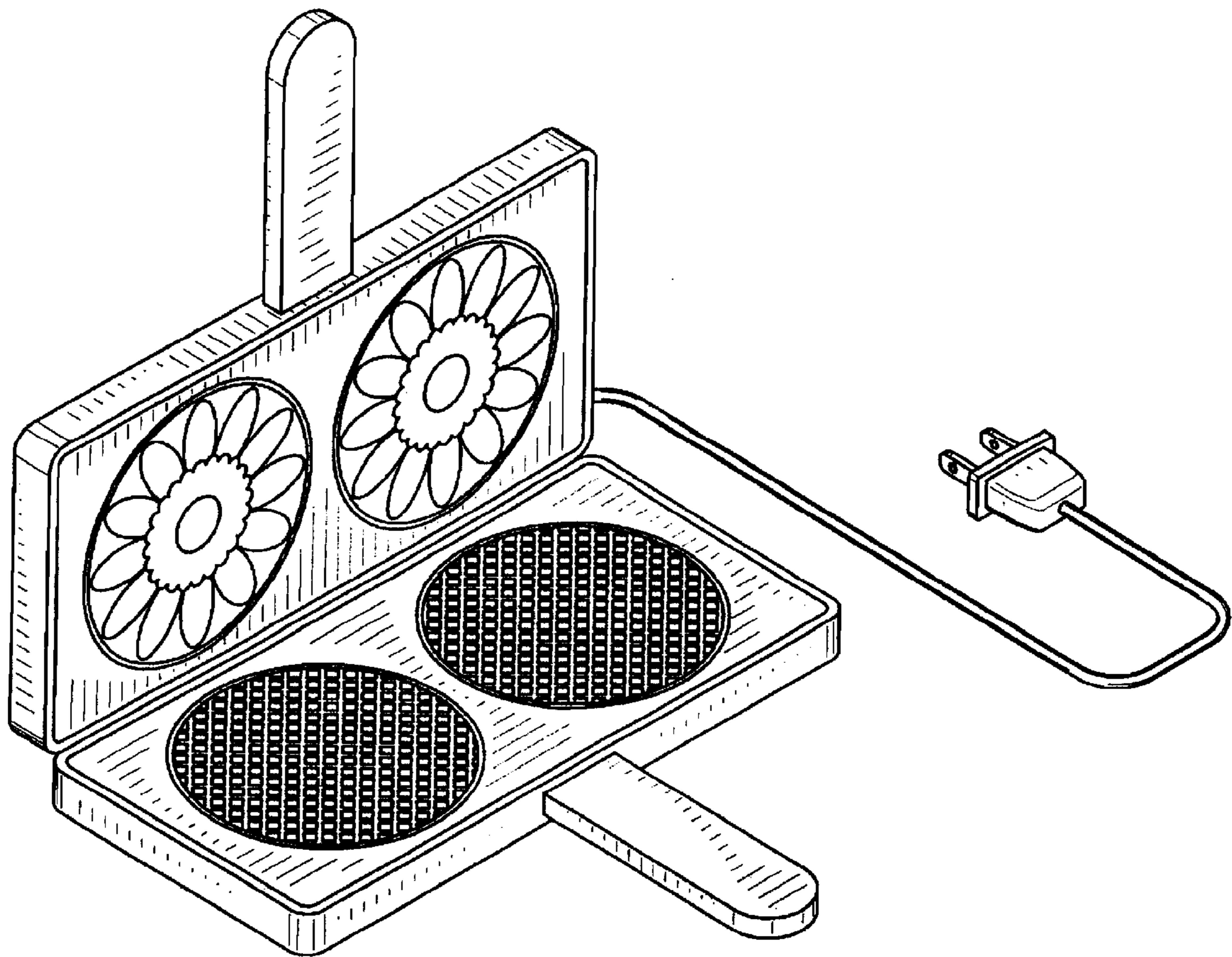


FIG. 7