

US00D542079S

(12) **United States Design Patent**
Kim

(10) **Patent No.:** **US D542,079 S**

(45) **Date of Patent:** **** May 8, 2007**

(54) **GAS OVEN RANGE**

(75) Inventor: **Kang-Doo Kim**, Seoul (KR)

(73) Assignee: **Samsung Electronics Co., Ltd.**,
Kyunggi-do (KR)

(**) Term: **14 Years**

(21) Appl. No.: **29/262,196**

(22) Filed: **Jun. 28, 2006**

(51) **LOC (8) Cl.** **07-02**

(52) **U.S. Cl.** **D7/340**

(58) **Field of Classification Search** D7/340,
D7/323, 339-341, 346-348; 126/39 B, 211,
126/214 R, 39 C, 39 R, 19 R, 273 R, 50;
219/391-392

See application file for complete search history.

(56) **References Cited**

U.S. PATENT DOCUMENTS

- D375,867 S * 11/1996 Sparks D7/340
- D477,177 S * 7/2003 Jeong D7/340
- D511,926 S * 11/2005 Baldwin D7/340

OTHER PUBLICATIONS

U.S. Appl. No. 29/262,195, Applicant: Tai-Kyung Kim, filed Jun. 28, 2006 entitled Gas Oven Range.

* cited by examiner

Primary Examiner—Catherine R. Oliver

(74) *Attorney, Agent, or Firm*—Flynn, Thiel, Boutell & Tanis, P.C.

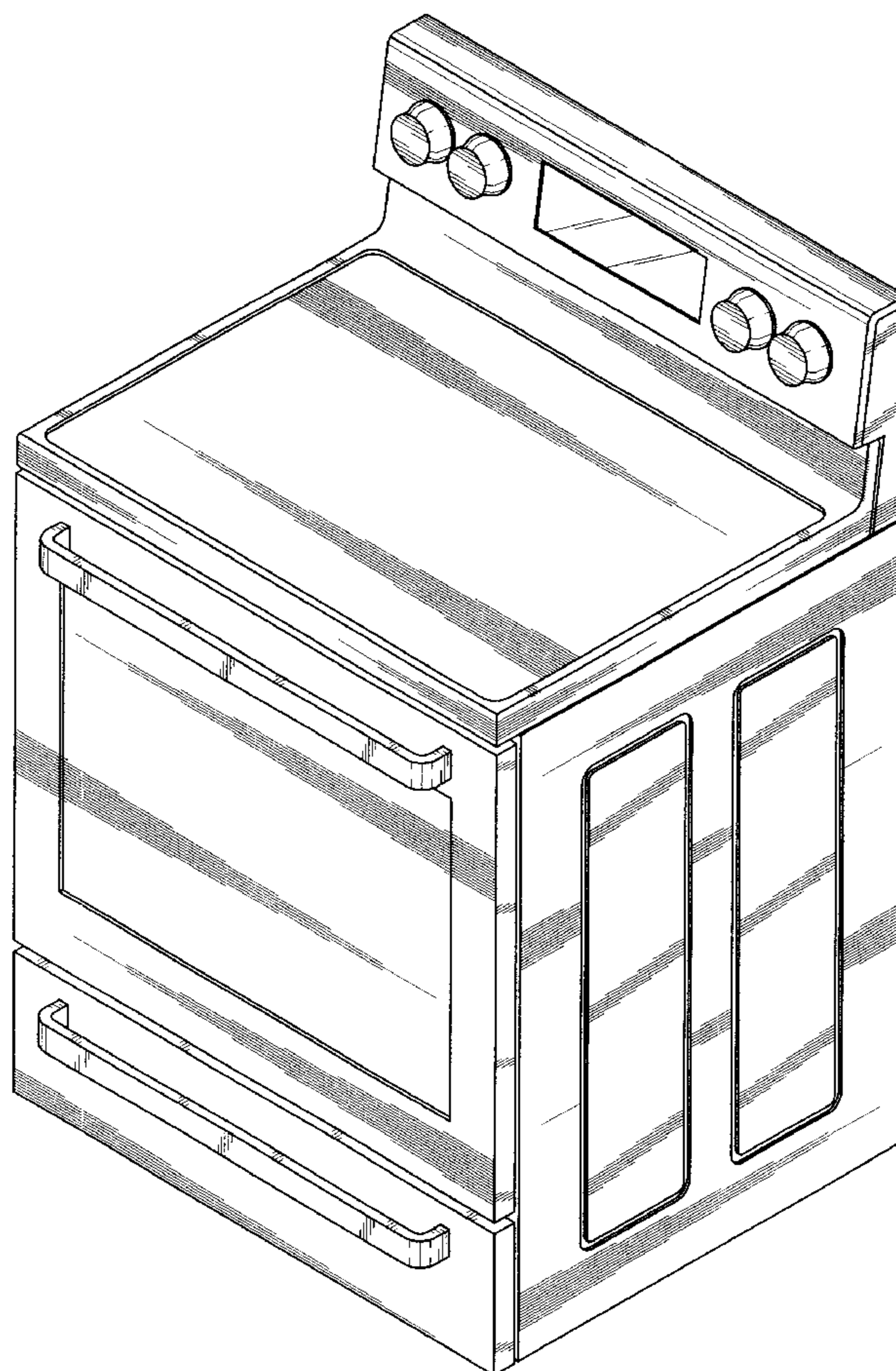
(57) **CLAIM**

The ornamental design for a gas oven range, as shown and described.

DESCRIPTION

FIG. 1 is a top front perspective view of a gas oven range showing my new design;
 FIG. 2 is a front elevational view thereof;
 FIG. 3 is a rear elevational view thereof;
 FIG. 4 is a left side elevational view, the right side being symmetrical thereof;
 FIG. 5 is a top plan view thereof; and,
 FIG. 6 is a bottom plan view thereof.

1 Claim, 4 Drawing Sheets



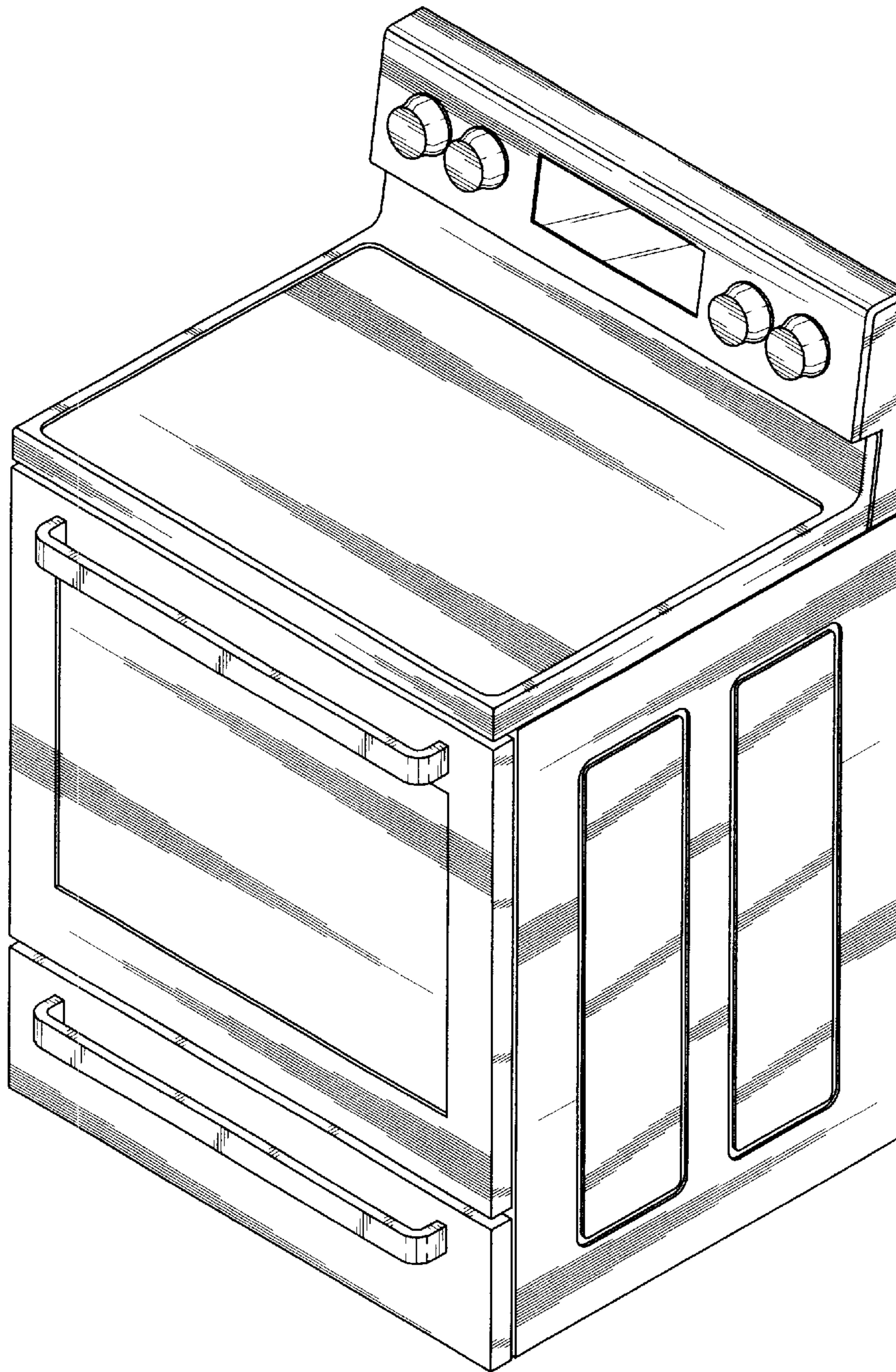


FIG. 1

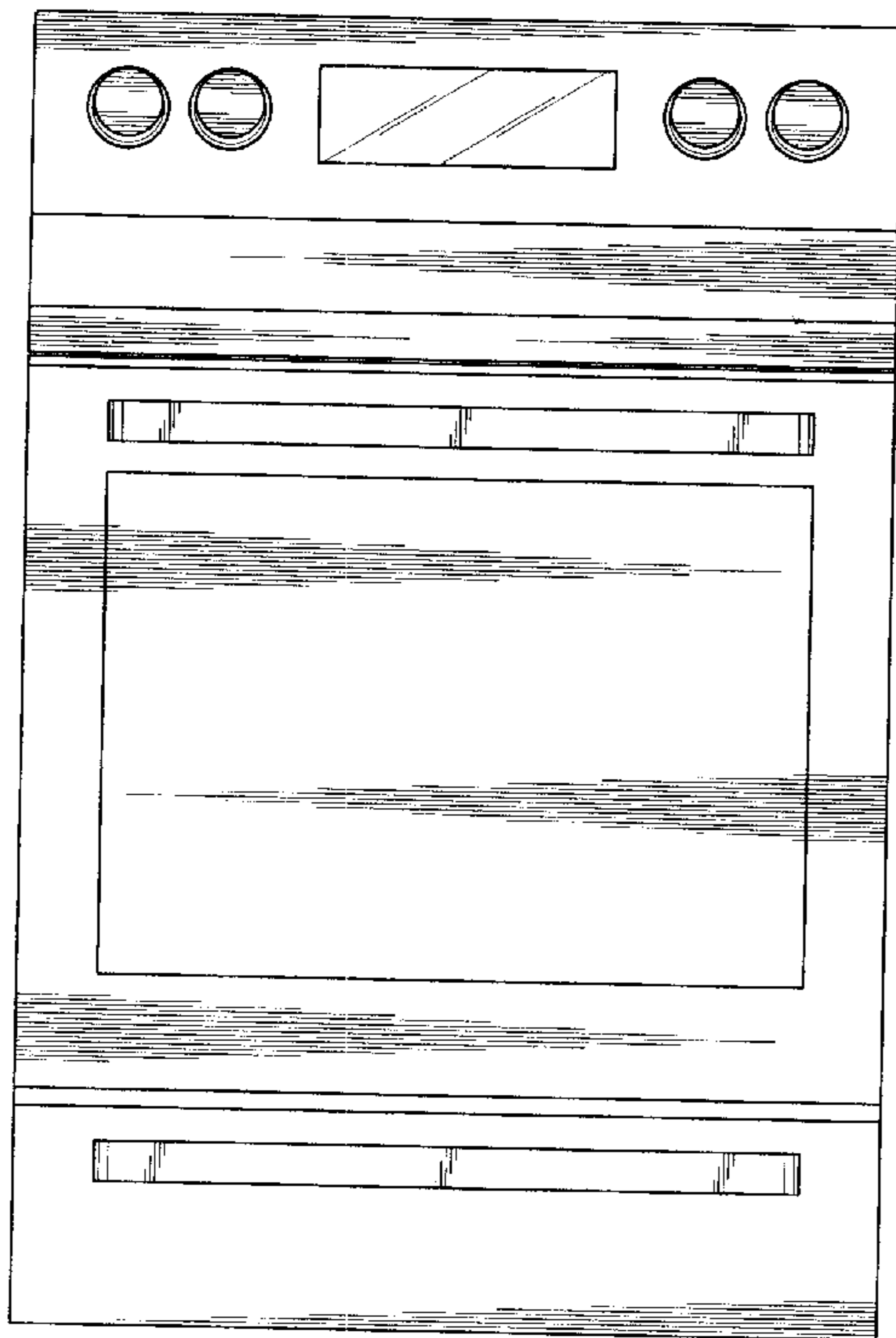


FIG.2

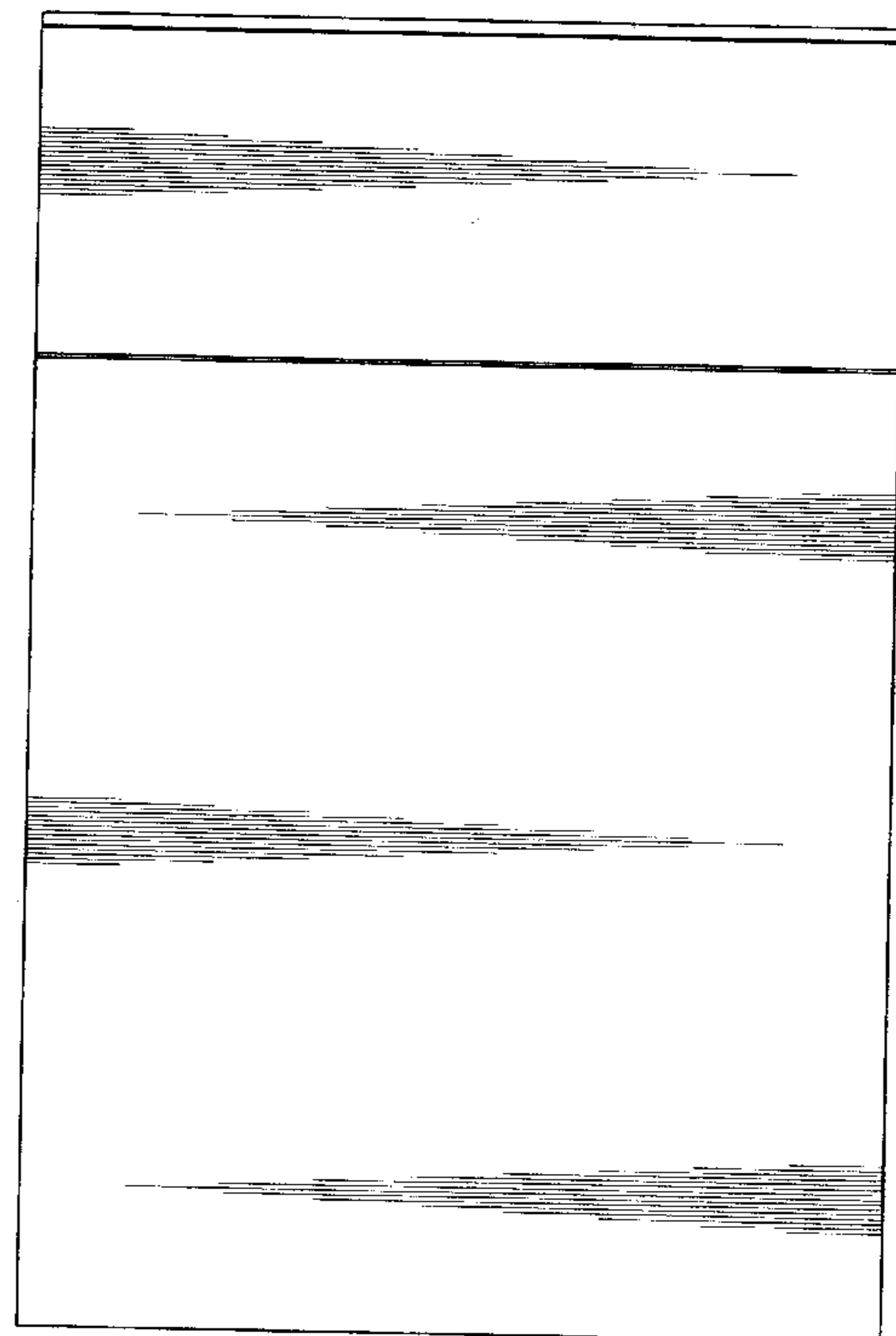


FIG.3

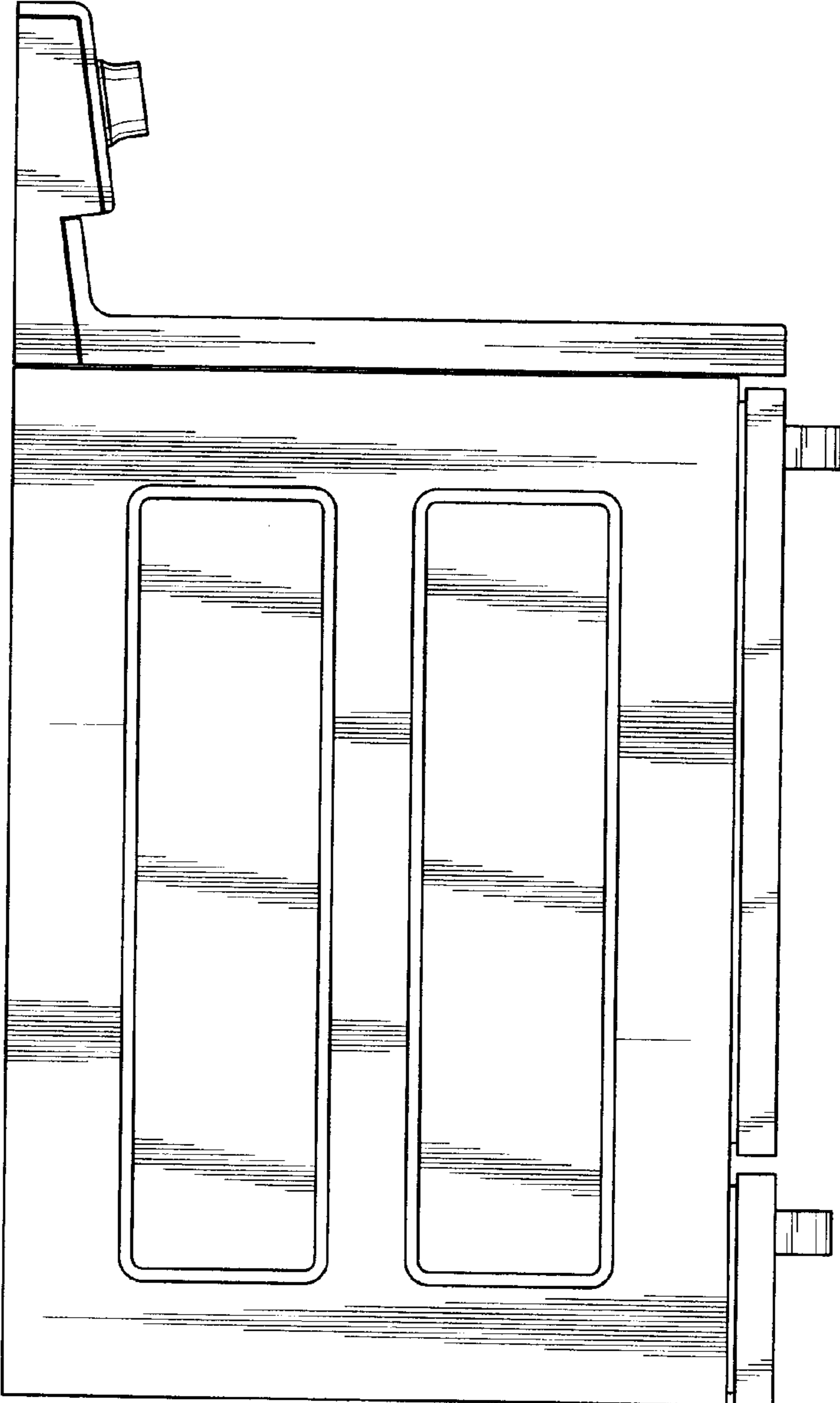


FIG.4

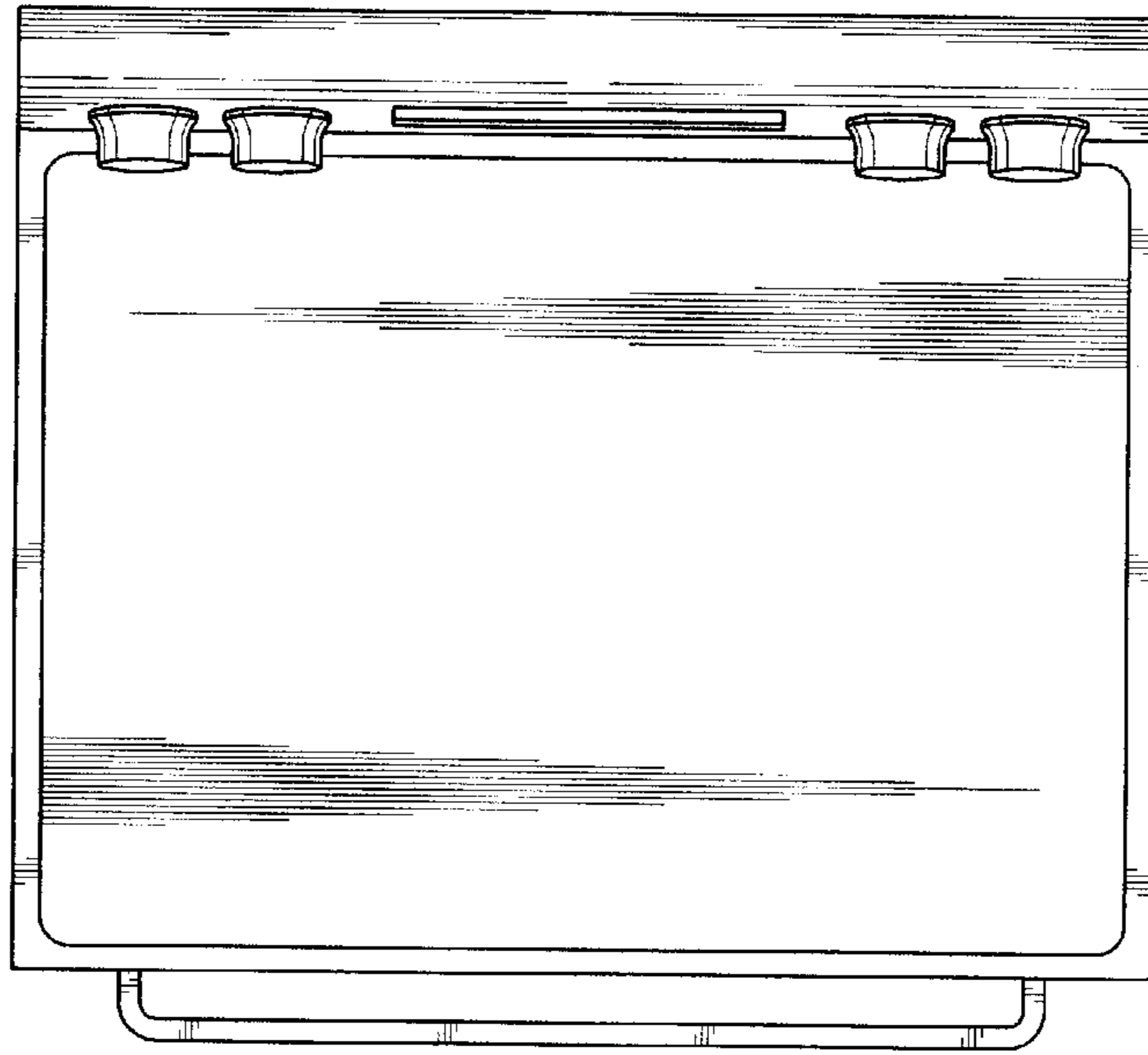


FIG. 5

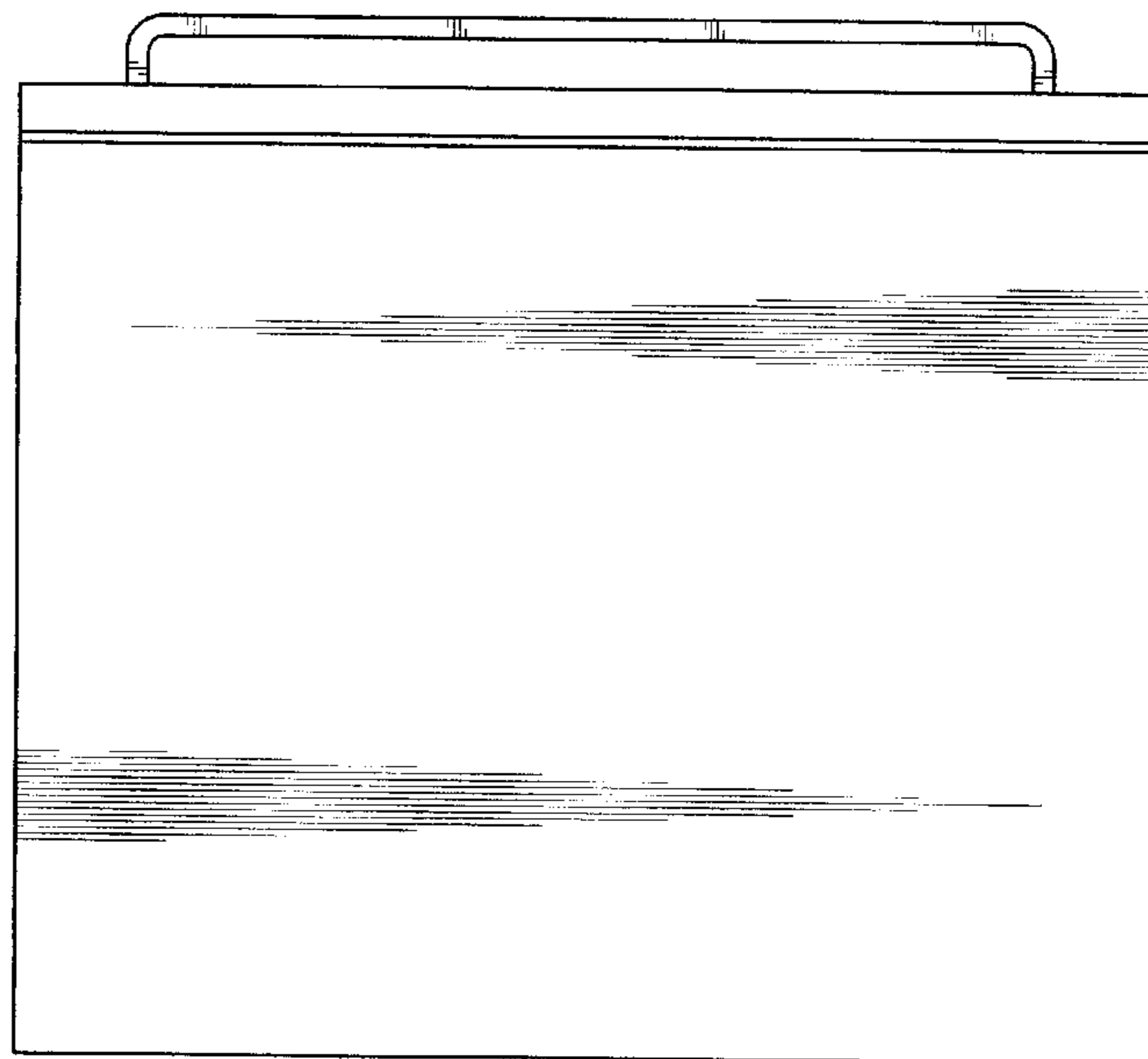


FIG. 6