

US00D542073S

(12) **United States Design Patent**
Moshopoulos

(10) **Patent No.:** **US D542,073 S**

(45) **Date of Patent:** **** May 8, 2007**

(54) **HEAD REST COVER HAVING FLAG DESIGN**

D492,154 S * 6/2004 Martial D6/611
D511,431 S * 11/2005 Spielvogel et al. D6/611

(76) Inventor: **Stefanos Moshopoulos**, 23-42 130th St.,
College Point, NY (US) 11356

* cited by examiner

(**) Term: **14 Years**

Primary Examiner—Louis S. Zarfes

Assistant Examiner—Anhdao Doan

(74) *Attorney, Agent, or Firm*—Carter DeLuca Farrell &
Schmidt, LLP

(21) Appl. No.: **29/228,299**

(22) Filed: **Apr. 21, 2005**

(57) **CLAIM**

The ornamental design for a head rest cover having flag design, as shown and described.

(51) **LOC (8) Cl.** **06-13**

(52) **U.S. Cl.** **D6/611**

(58) **Field of Classification Search** D6/610,
D6/611; D12/401, 415, 416, 422, 426; 297/219.1,
297/219.11, 219.12, 220, 224, 225, 228.1,
297/228.13, 229; D11/165, 170
See application file for complete search history.

DESCRIPTION

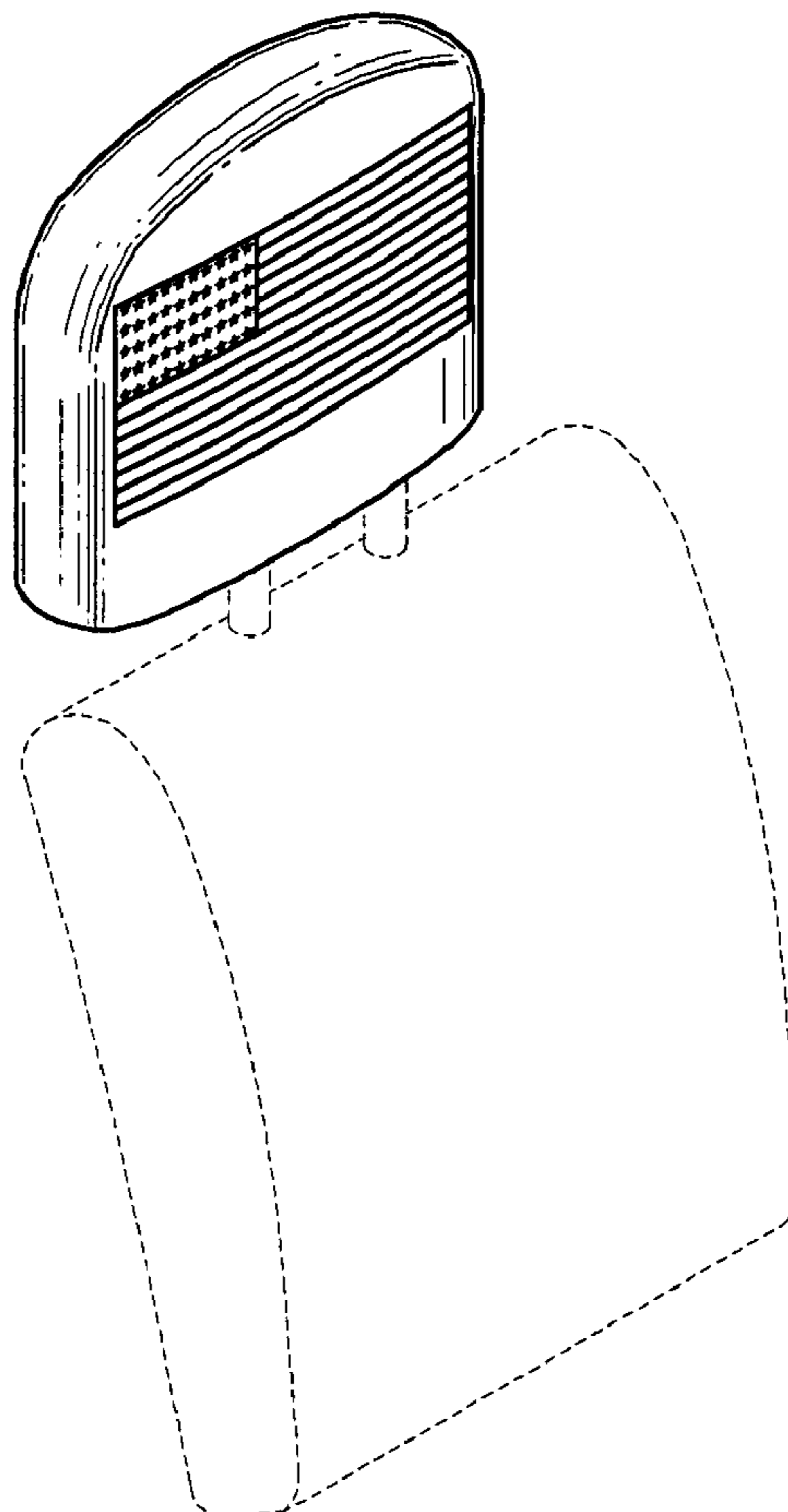
FIG. 1 is a perspective, front view of the head rest cover having flag design showing the new design;
FIG. 2 is a front view thereof;
FIG. 3 is a rear view thereof;
FIG. 4 is a side view thereof;
FIG. 5 is a top view thereof; and,
FIG. 6 is a bottom view thereof.
The broken lines showing in FIG. 1 are for illustrative purposes only and form no part of the claimed design.

(56) **References Cited**

U.S. PATENT DOCUMENTS

D383,431 S * 9/1997 Fennell D12/400
D402,496 S * 12/1998 Harm D6/611
D402,846 S * 12/1998 Licata et al. D6/611
D405,637 S * 2/1999 Licata et al. D6/611

1 Claim, 1 Drawing Sheet



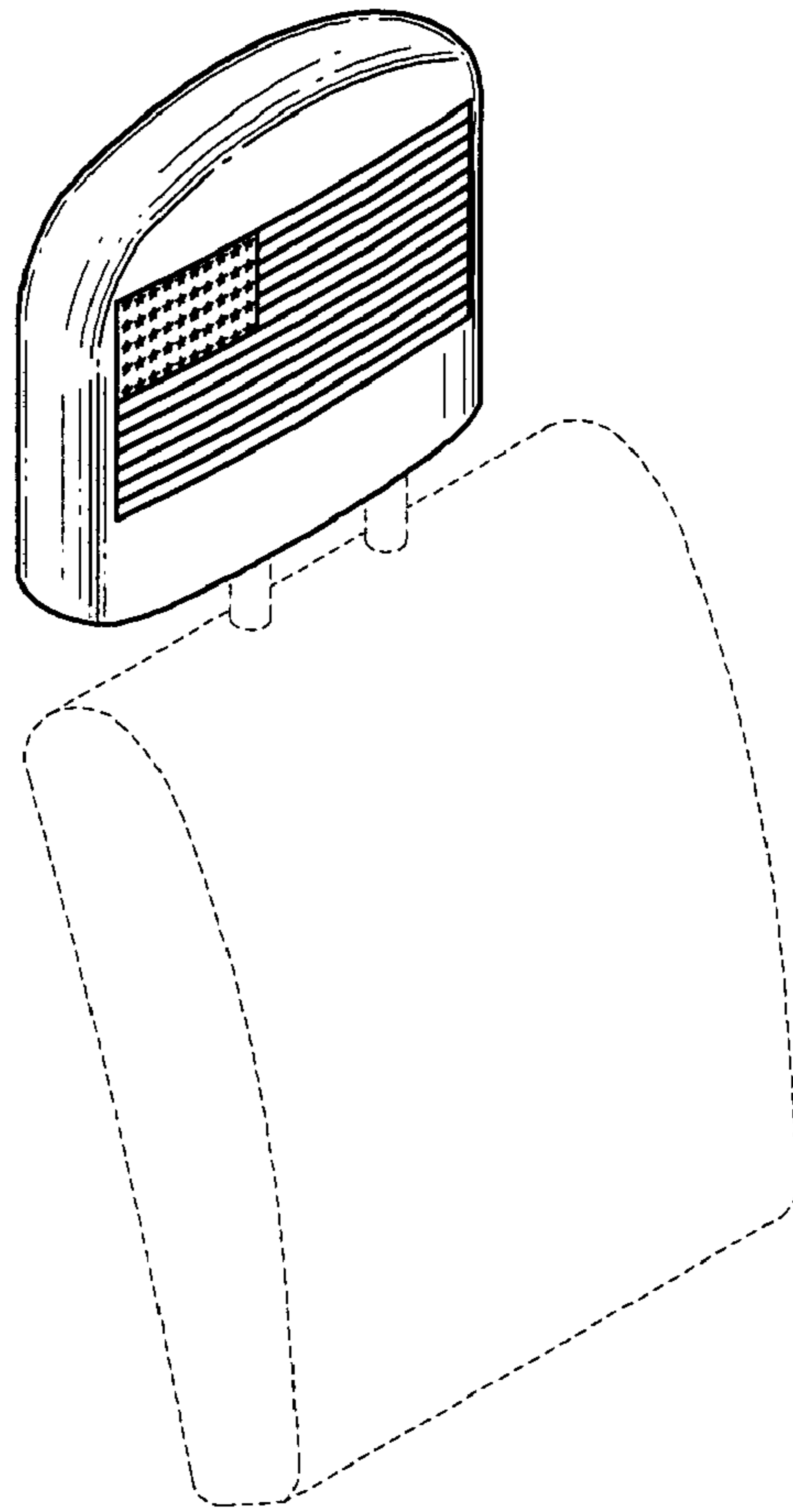


FIG. 1

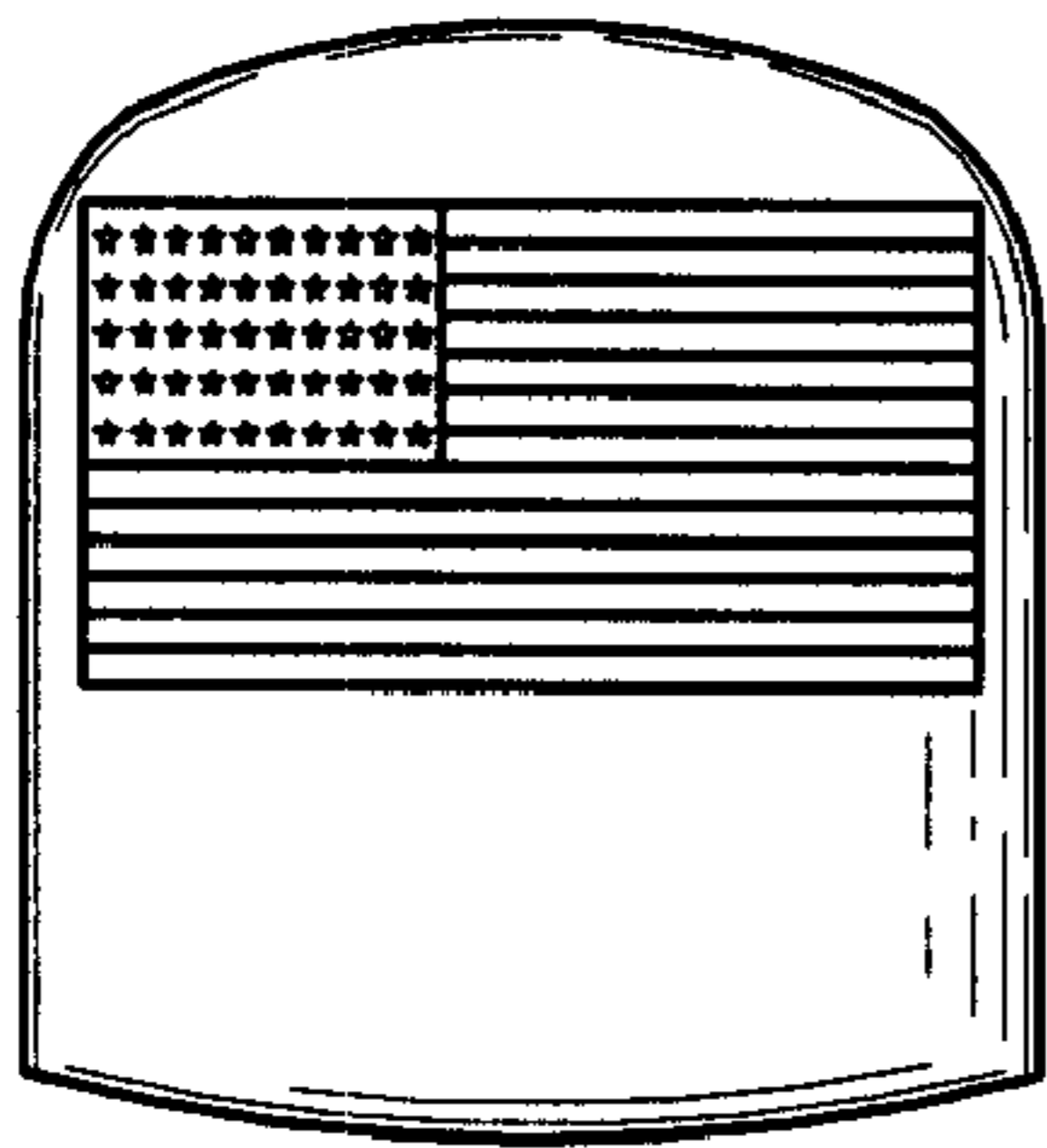


FIG. 2

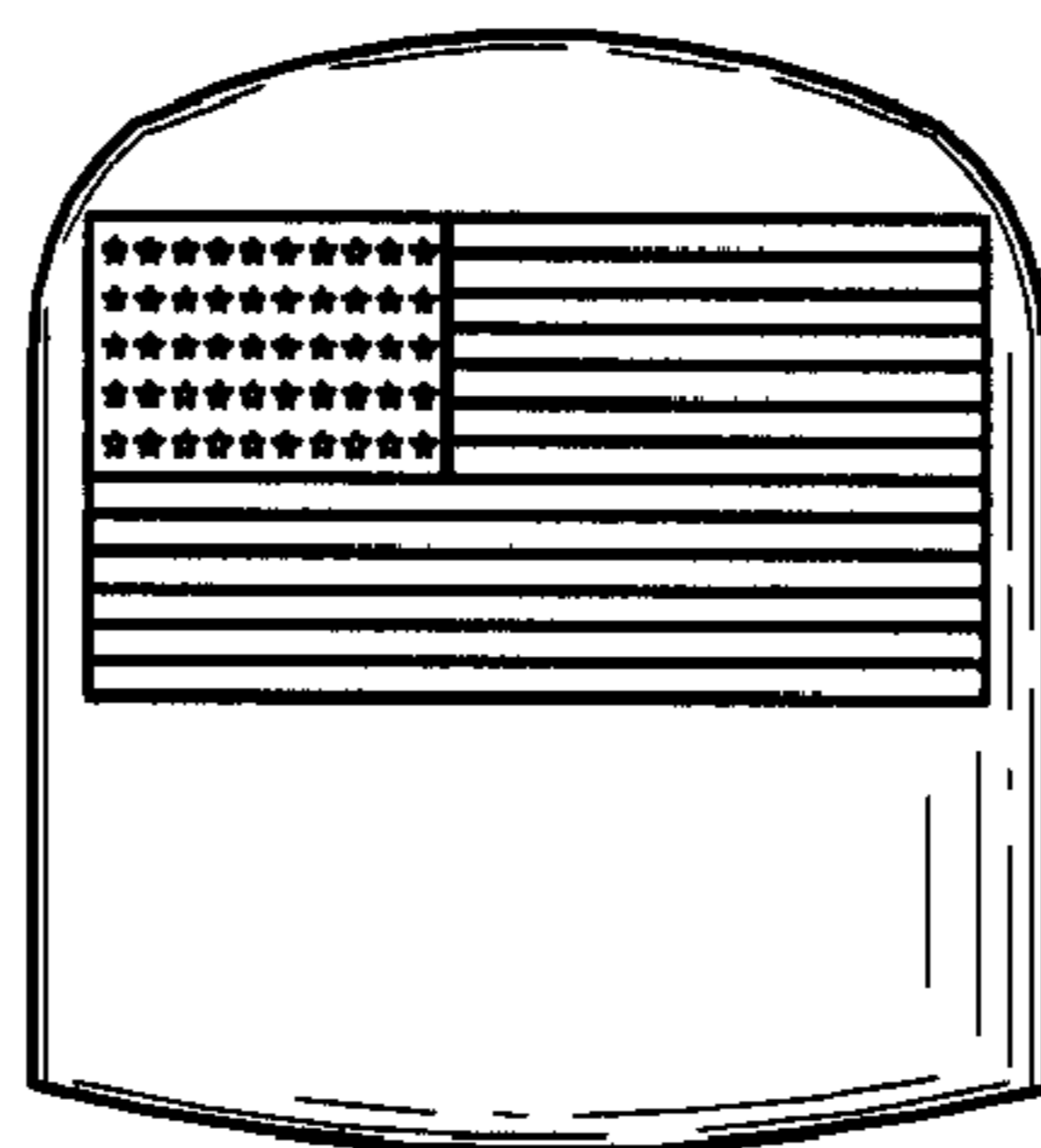


FIG. 3

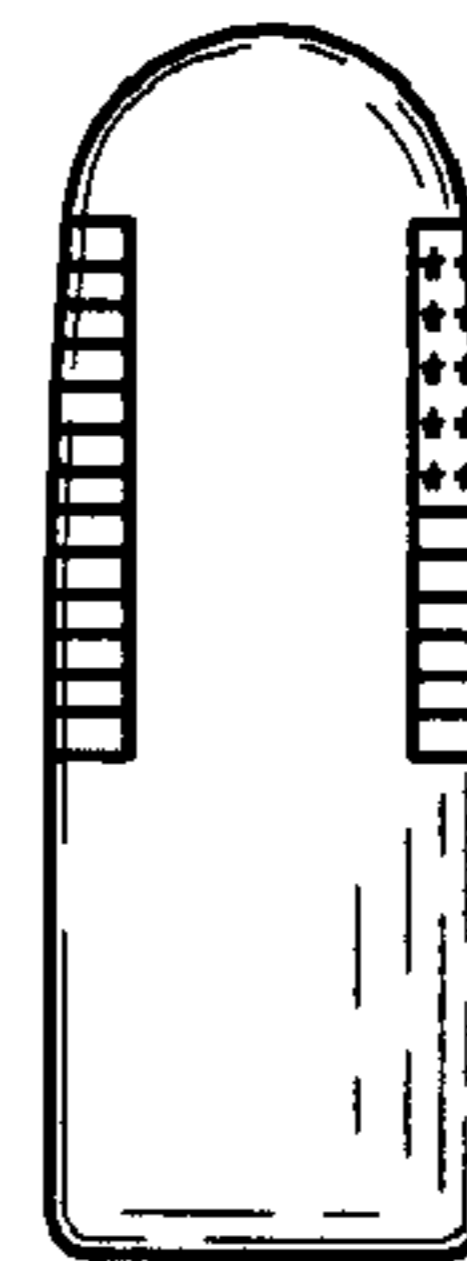


FIG. 4

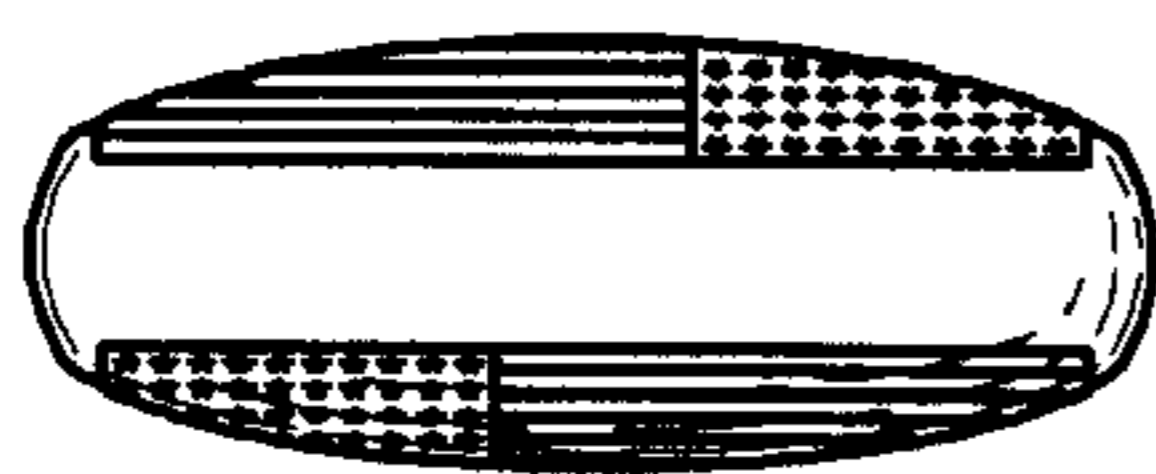


FIG. 5

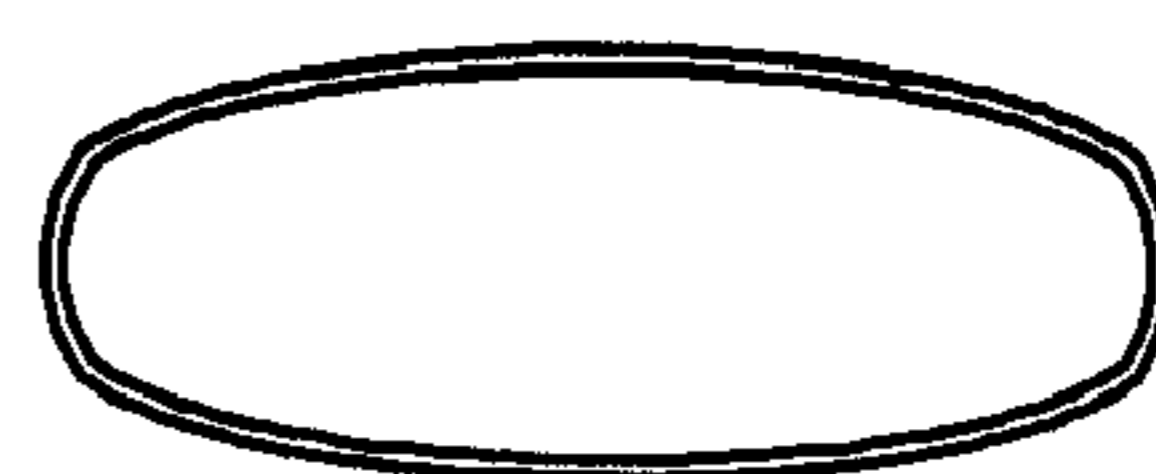


FIG. 6