



US00D542068S

(12) **United States Design Patent**
Watkins et al.

(10) **Patent No.:** **US D542,068 S**

(45) **Date of Patent:** **** May 8, 2007**

(54) **HEADRAIL**

(75) Inventors: **Richard D. Watkins**, Lake Luzerne,
NY (US); **Don Nicoll**, Clifton Park, NY
(US)

(73) Assignee: **Comfortex Corporation**, Watervliet,
NY (US)

(**) **Term:** **14 Years**

(21) **Appl. No.:** **29/254,226**

(22) **Filed:** **Feb. 17, 2006**

(51) **LOC (8) Cl.** **06-10**

(52) **U.S. Cl.** **D6/580**

(58) **Field of Classification Search** D6/575-581;
D3/260; D13/155; D20/44; D25/119, 122,
D25/124; 4/506; 52/169.5; 160/168.1 V,
160/170, 32, 84.04, 84.02, 84.03, 84.05,
160/84.06, 84.07, 84.08, 84.12, 98, 107,
160/108, 112, 115, 166.1 R, 168.1 R, 170 R,
160/171 R, 173 R, 178.2-178.3, 179, 180,
160/192, 193, 231.1, 236, 243, 329, 348,
160/375.1, 375.3, 375.5; D23/343; 248/251,
248/252, 262; 428/2, 116, 118; 600/200
See application file for complete search history.

(56) **References Cited**

U.S. PATENT DOCUMENTS

4,411,401 A * 10/1983 Anderson 248/262

4,417,699 A * 11/1983 Skrobisch 242/437
4,648,436 A * 3/1987 Oskam 160/168.1 V
4,662,360 A * 5/1987 O'Hara et al. 600/200
4,955,421 A * 9/1990 Torti 160/243
5,230,493 A * 7/1993 Luoto 248/251
D345,598 S * 3/1994 Cartwright et al. D23/343
D435,297 S * 12/2000 Magray et al. D24/204
D443,168 S * 6/2001 Horsten D6/580
D443,788 S * 6/2001 Horsten D6/580
6,832,641 B1 * 12/2004 Sanz et al. 160/90
6,964,291 B2 * 11/2005 Judkins 160/170
7,100,663 B2 * 9/2006 Zhang et al. 160/89

* cited by examiner

Primary Examiner—T. Chase Nelson
Assistant Examiner—Barbara Blanton Lohr
(74) *Attorney, Agent, or Firm*—Rader, Fishman & Grauer
PLLC

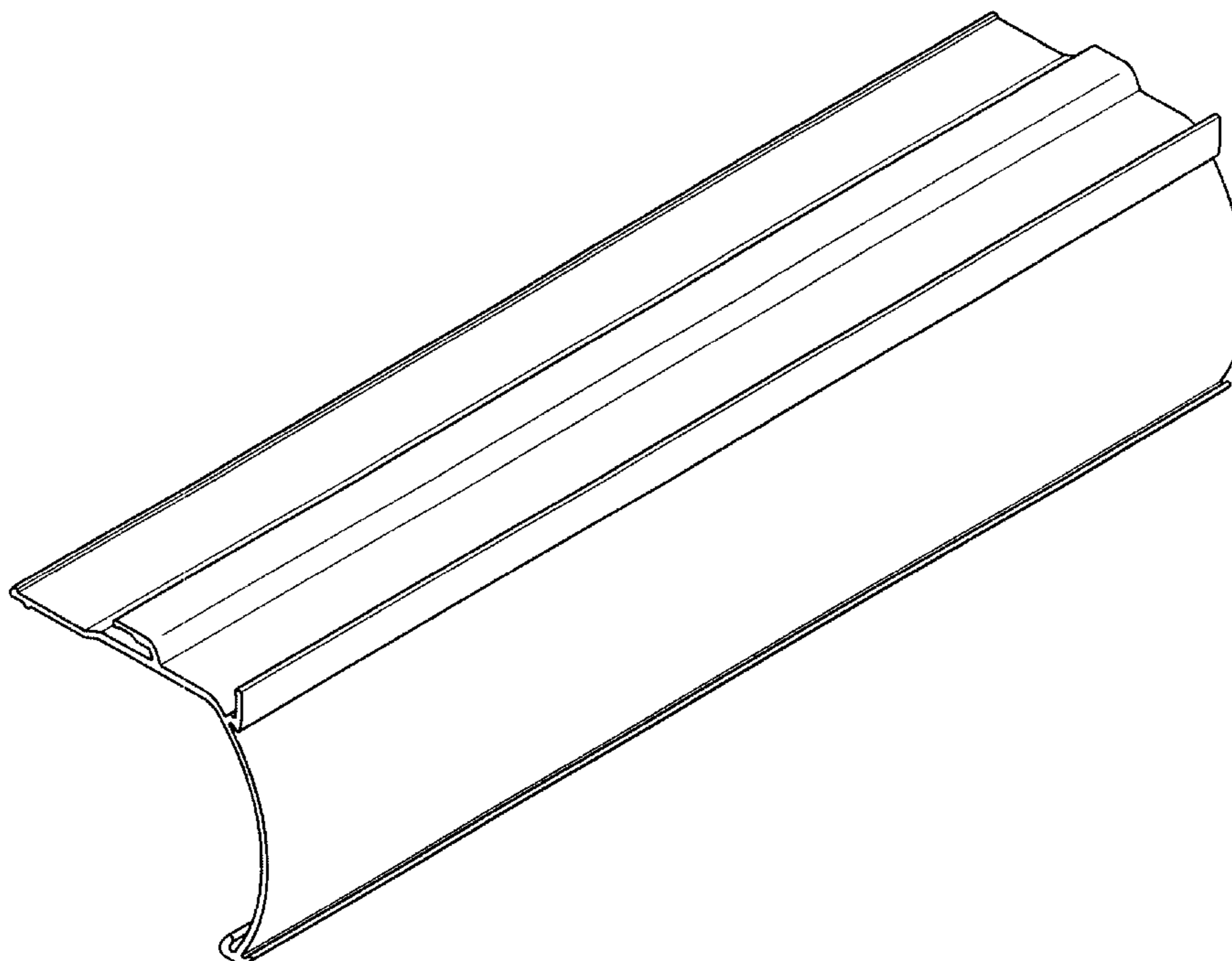
(57) **CLAIM**

The ornamental design for a headrail, as shown and
described.

DESCRIPTION

FIG. 1 is a perspective view from the front, top, and left side;
FIG. 2 is a perspective view from the rear, top, and left side;
FIG. 3 is a view from the left side; and,
FIG. 4 is a view from the right side.

1 Claim, 3 Drawing Sheets



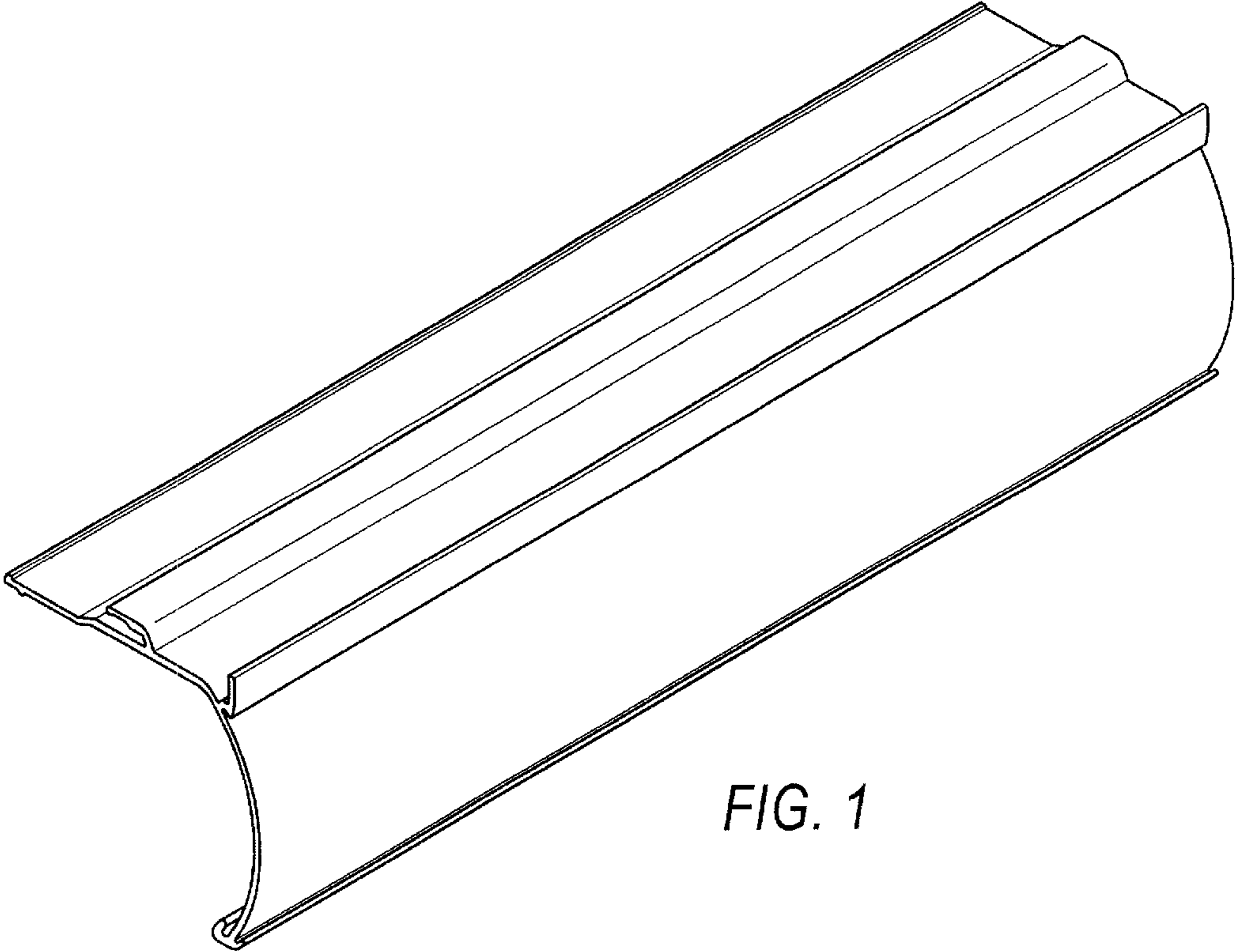


FIG. 1

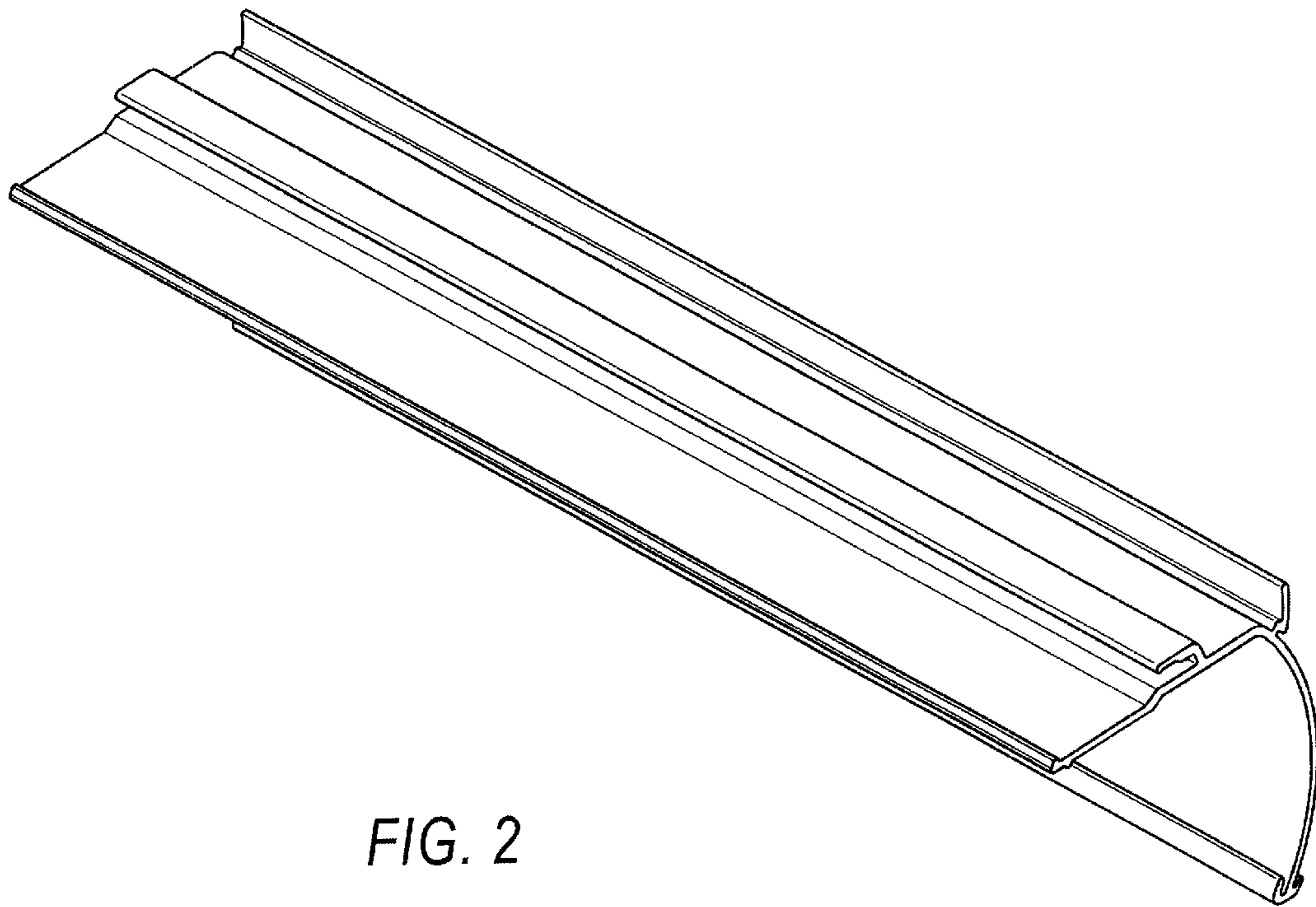


FIG. 2

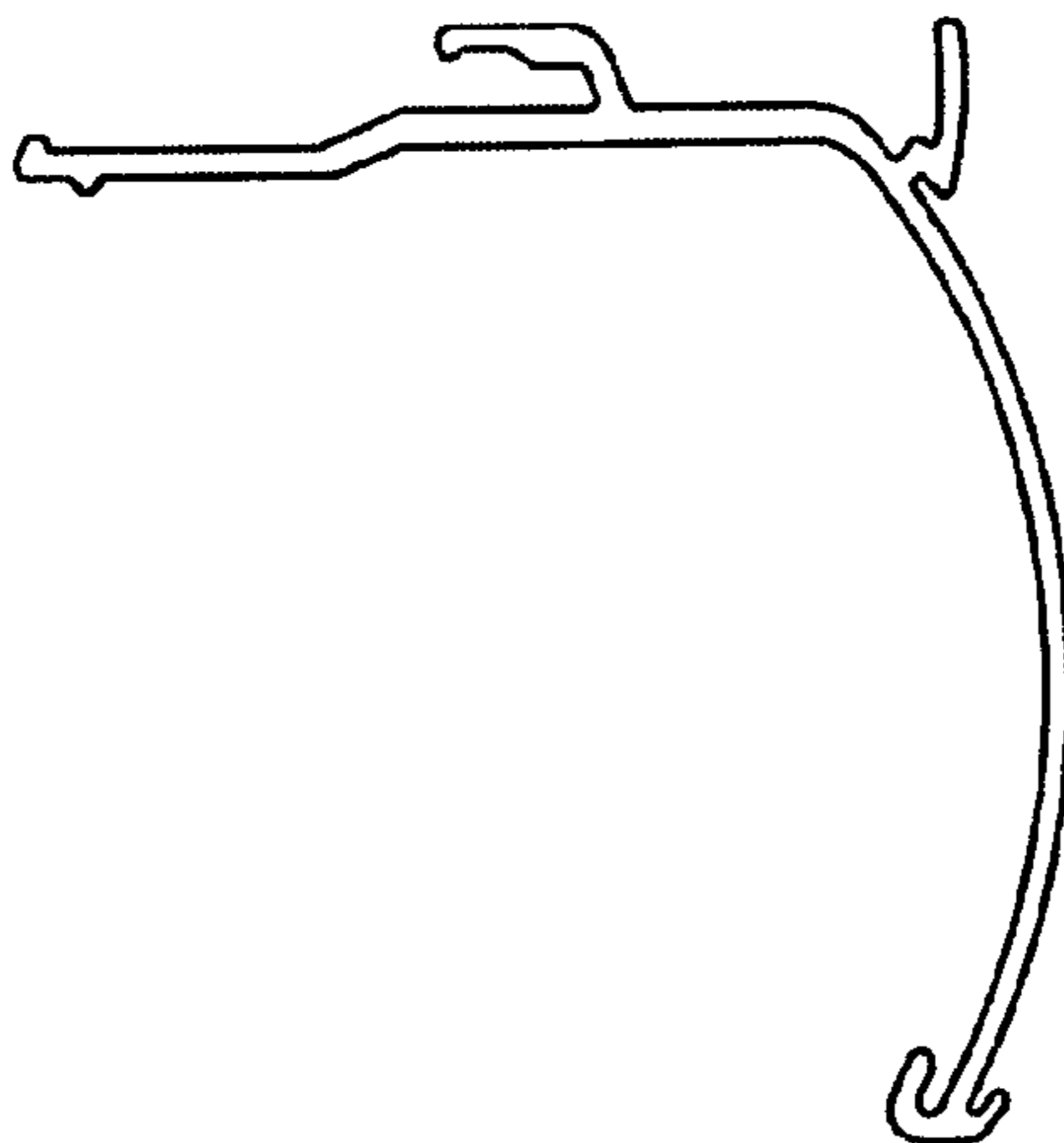


FIG. 3

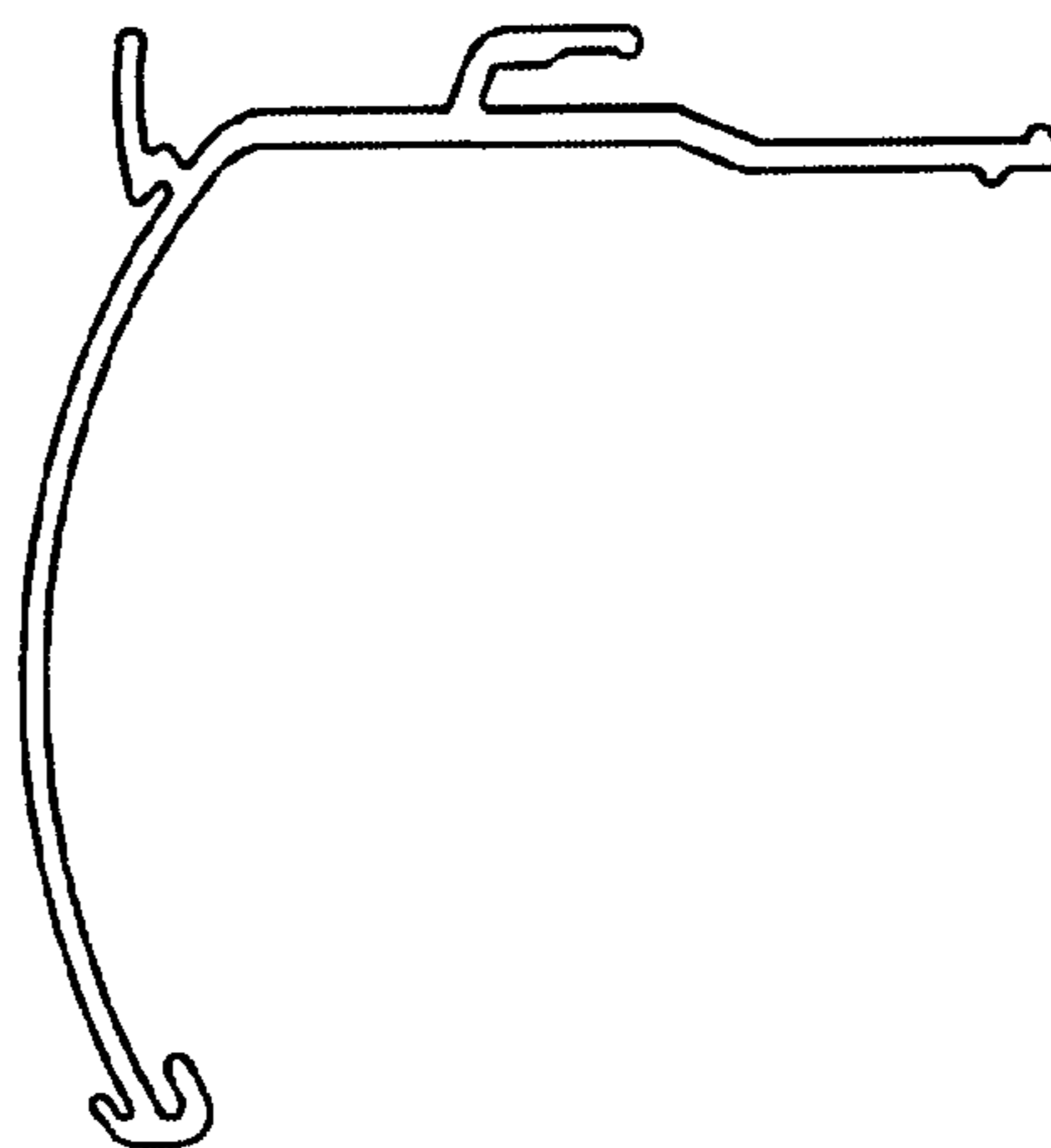


FIG. 4