

US00D542061S

(12) **United States Design Patent** (10) **Patent No.:** **US D542,061 S**  
**Green et al.** (45) **Date of Patent:** **\*\* May 8, 2007**

(54) **SEATING SUPPORT**

(75) Inventors: **Chris Green**, San Francisco, CA (US);  
**Ana Maria Reza-Hadden**, San Rafael,  
CA (US)

(73) Assignee: **Landscape Forms, Inc.**, Kalamazoo,  
MI (US)

(\*\*) Term: **14 Years**

D431,918 S \* 10/2000 Tseng ..... D6/337  
D439,060 S \* 3/2001 Larsen ..... D6/337  
6,254,178 B1 \* 7/2001 Bue ..... 297/159.1  
D448,938 S \* 10/2001 Ng et al. .... D6/337  
6,386,628 B2 \* 5/2002 Bue ..... 297/158.3  
D467,437 S \* 12/2002 Ott ..... D6/337  
D467,438 S \* 12/2002 Ott ..... D6/337  
D468,116 S \* 1/2003 Champion ..... D6/336  
D473,387 S \* 4/2003 Noll ..... D6/337  
D478,732 S \* 8/2003 Pajerski et al. .... D6/337

(Continued)

(21) Appl. No.: **29/216,069**

(22) Filed: **Oct. 28, 2004**

(51) **LOC (8) Cl.** ..... **06-01**

(52) **U.S. Cl.** ..... **D6/499**

(58) **Field of Classification Search** ..... D6/332,  
D6/335-337, 340, 349, 355, 352-353, 369-370,  
D6/381, 495, 499-502; 5/12.1; 108/118,  
108/119, 137; 297/16.1-16.2, 451.9, 452.11,  
297/452.63, 217.1, 31, 175, 423.1, 423.16,  
297/461, 232

See application file for complete search history.

(56) **References Cited**

**U.S. PATENT DOCUMENTS**

681,394 A \* 8/1901 Hile ..... 297/157.1  
1,143,416 A \* 6/1915 Matthews ..... 232/1 R  
D190,744 S \* 6/1961 Guice ..... D6/337  
D194,038 S \* 11/1962 Preston ..... D6/337  
3,414,301 A \* 12/1968 Crowe ..... 403/237  
D226,546 S \* 3/1973 Priefert ..... D6/499  
D244,409 S \* 5/1977 Arnold ..... D6/337  
D250,151 S \* 11/1978 Pingel ..... D6/337  
D268,971 S \* 5/1983 Reineman ..... D6/337  
D286,953 S \* 12/1986 Mayo ..... D6/337  
4,738,484 A \* 4/1988 Leong ..... 297/158.3  
D327,178 S \* 6/1992 Ryaa ..... D6/337  
D368,807 S \* 4/1996 Noll ..... D6/337  
D369,912 S \* 5/1996 Noll ..... D6/337  
D369,913 S \* 5/1996 Noll ..... D6/337  
D387,913 S \* 12/1997 Yurk ..... D6/337  
D413,734 S \* 9/1999 Bue ..... D6/337  
D417,965 S \* 12/1999 Strong et al. .... D6/337  
6,065,802 A \* 5/2000 Bue ..... 297/158.4

**OTHER PUBLICATIONS**

Fusion K Coating, Inc. catalog, 1996, 4 pgs.\*  
“Site Furnishings For A Lifetime”, 02870/THO, Sweet  
BuyLine 203, Thomas Steele, Middleton, WI, 2 pages.  
“Signature Series”, Leisure Craft, Inc. Hendersonville, NC,  
1 page.  
“Plastisol Furniture Line”, 02870/KAY, Sweet BuyLine  
3835, Kay Park Recreation Corp., Janesville, IA, 2 pages.  
[http://www.forms-surfaces.com/products/images/site/vista/  
VIS\\_01.jpg](http://www.forms-surfaces.com/products/images/site/vista/VIS_01.jpg), 1 page.  
“Carousel”, Landscapeforms, Kalamazoo, MI, 8 pages.

*Primary Examiner*—Sandra Snapp  
(74) *Attorney, Agent, or Firm*—Heslin Rothenberg Farley  
& Mesiti P.C.

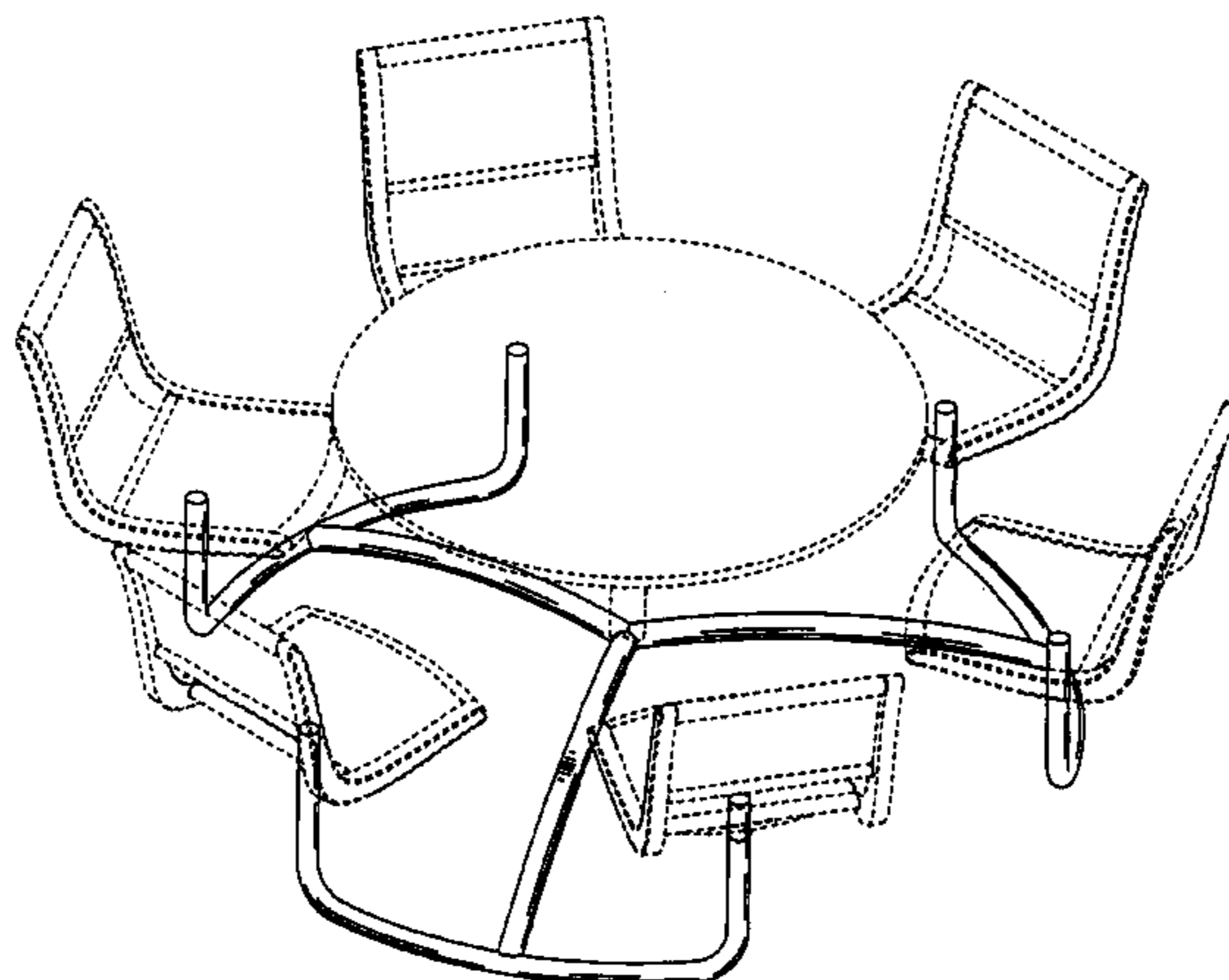
(57) **CLAIM**

The ornamental design for a seating support, as shown and  
described.

**DESCRIPTION**

FIG. 1 is an isometric view of the seating support of the  
present design;  
FIG. 2 is a front plan view thereof;  
FIG. 3 is a right side elevation view thereof;  
FIG. 4 is a left side elevation view thereof;  
FIG. 5 is a top plan view thereof; and,  
FIG. 6 is a bottom plan view thereof.  
The broken line is for illustrative purposes only and forms  
no part of the claimed invention.

**1 Claim, 6 Drawing Sheets**

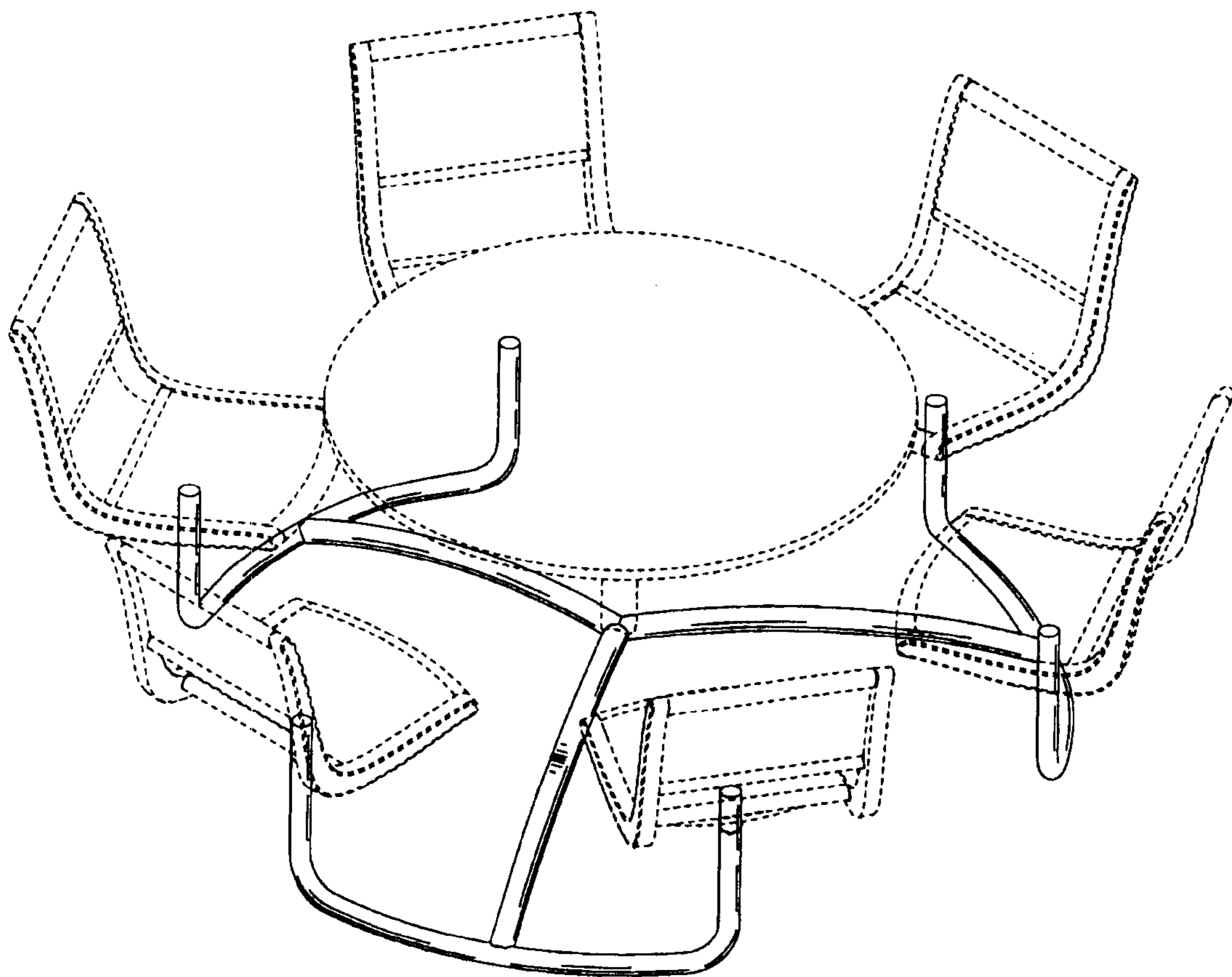


# US D542,061 S

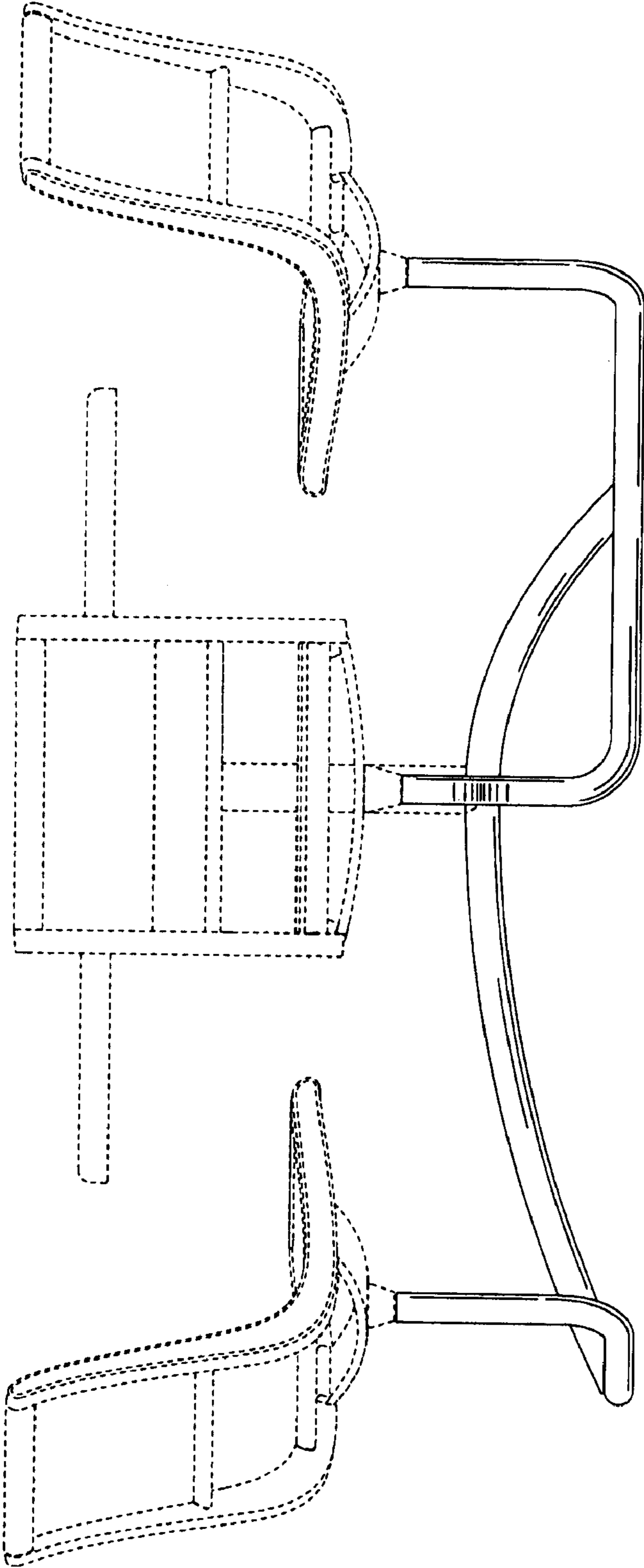
Page 2

---

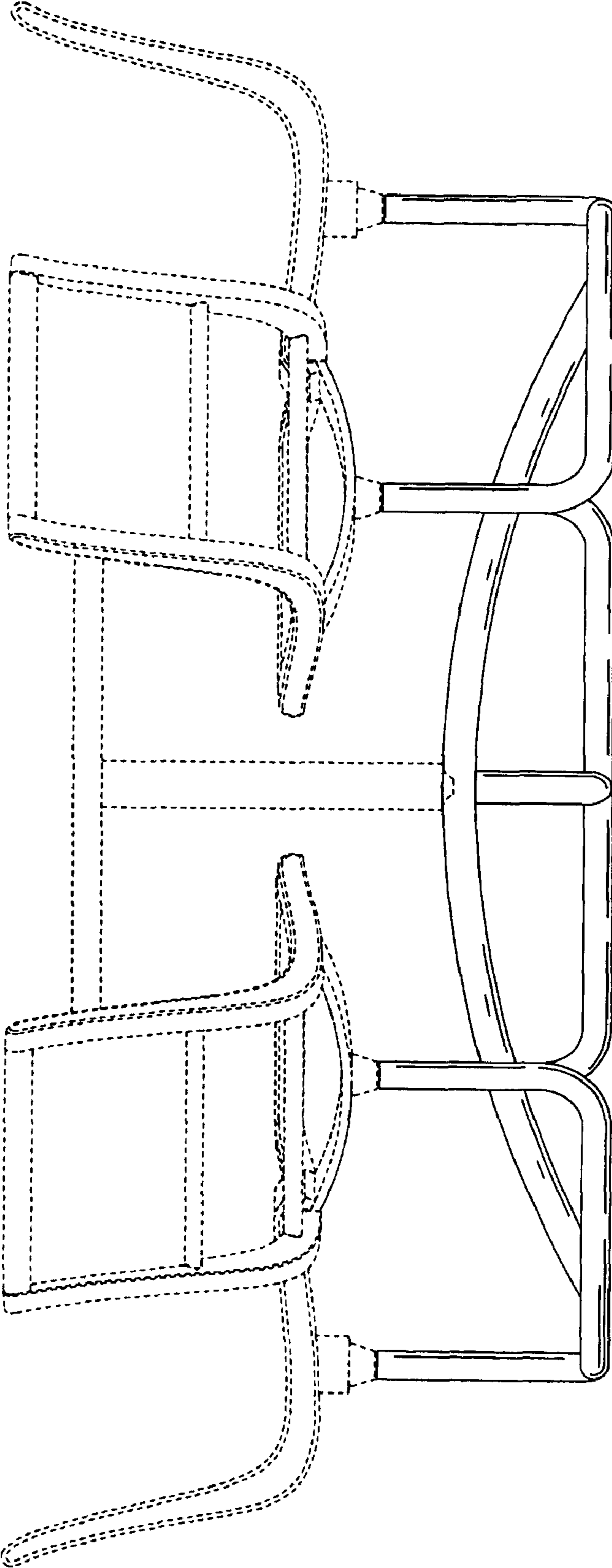
U.S. PATENT DOCUMENTS			
D479,406 S	*	9/2003 Pajerski et al. ....	D6/337
D479,773 S	*	9/2003 Pajerski et al. ....	D6/337
D489,539 S	*	5/2004 Thomas et al. ....	D6/337
D496,799 S	*	10/2004 Thomas et al. ....	D6/337
D497,262 S	*	10/2004 Thomas et al. ....	D6/337
D514,830 S	*	2/2006 Bue .....	D6/337
			* cited by examiner



**FIG. 1**

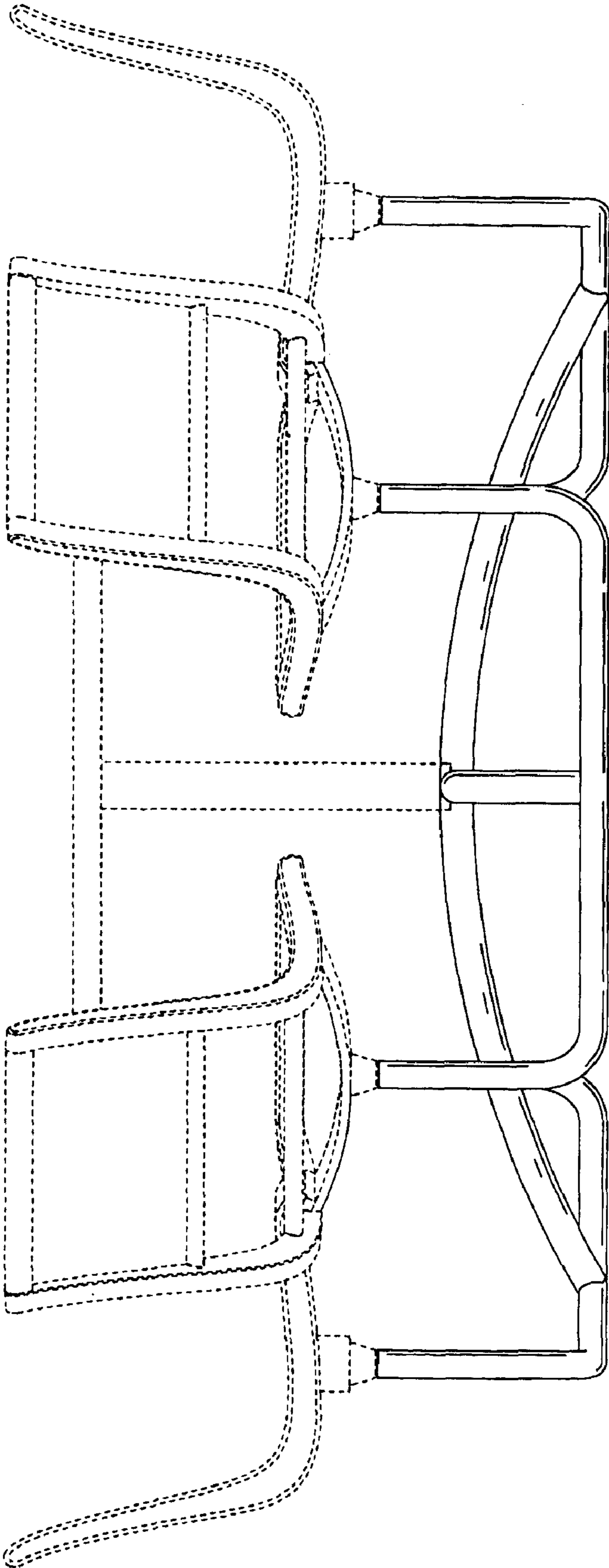


**FIG. 2**

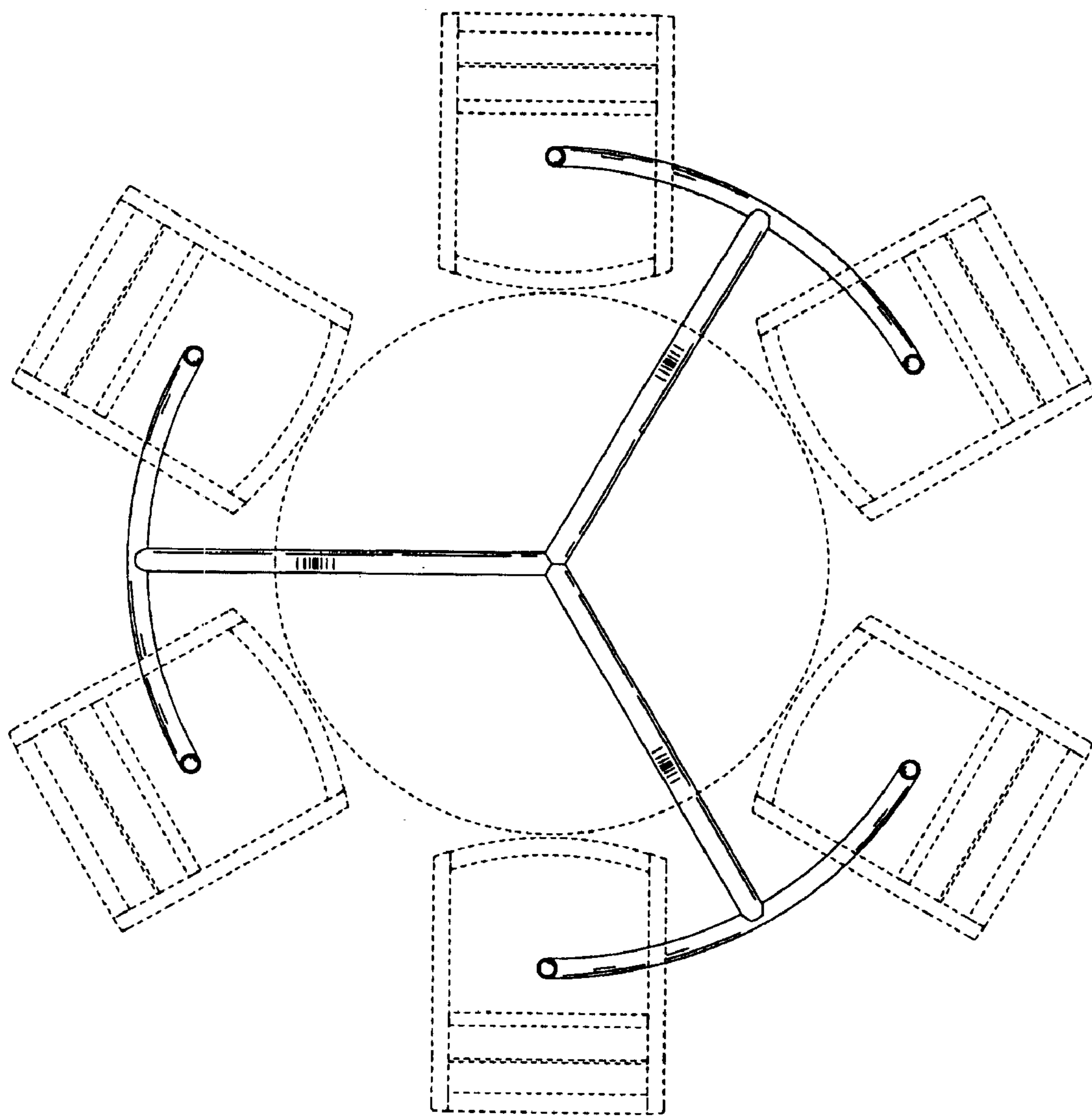


**FIG. 3**

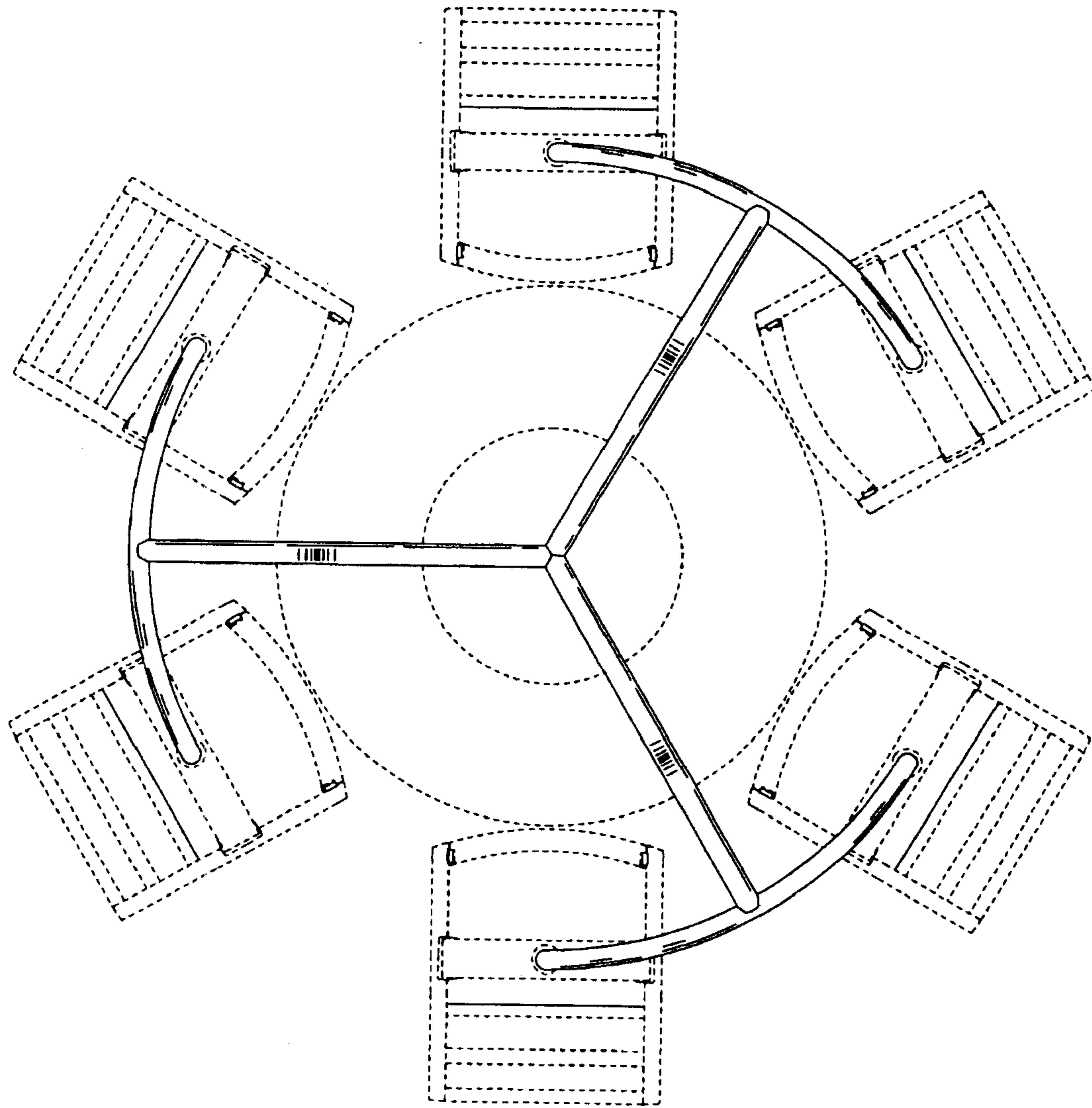




**FIG. 4**



**FIG. 5**



**FIG. 6**