



US00D542060S

(12) **United States Design Patent**  
**Green et al.**

(10) **Patent No.:** **US D542,060 S**

(45) **Date of Patent:** **\*\* May 8, 2007**

(54) **SEATING SUPPORT**

(75) Inventors: **Chris Green**, San Francisco, CA (US);  
**Ana Maria Reza-Hadden**, San Rafael,  
CA (US)

(73) Assignee: **Landscape Forms, Inc.**, Kalamazoo,  
MI (US)

(\*\*) Term: **14 Years**

D431,918 S	*	10/2000	Tseng	.....	D6/337
D439,060 S	*	3/2001	Larsen	.....	D6/337
6,254,178 B1	*	7/2001	Bue	.....	297/159.1
D448,938 S	*	10/2001	Ng et al.	.....	D6/337
6,386,628 B2	*	5/2002	Bue	.....	297/158.3
D467,437 S	*	12/2002	Ott	.....	D6/337
D467,438 S	*	12/2002	Ott	.....	D6/337
D468,116 S	*	1/2003	Champion	.....	D6/336
D473,387 S	*	4/2003	Noll	.....	D6/337

(Continued)

(21) Appl. No.: **29/215,996**

(22) Filed: **Oct. 28, 2004**

(51) **LOC (8) Cl.** ..... **06-01**

(52) **U.S. Cl.** ..... **D6/499**

(58) **Field of Classification Search** ..... D6/332,  
D6/335-337, 340, 349, 355, 352-353, 369-370,  
D6/381, 495, 499-502; 5/12.1; 108/118,  
108/119, 137; 297/16.1-16.2, 451.9, 452.11,  
297/452.63, 217.1, 31, 175, 423.1, 423.16,  
297/461, 232

See application file for complete search history.

(56) **References Cited**

**U.S. PATENT DOCUMENTS**

681,394 A	*	8/1901	Hile	.....	297/157.1
1,143,416 A	*	6/1915	Matthews	.....	232/1 R
D190,744 S	*	6/1961	Guice	.....	D6/337
D194,038 S	*	11/1962	Preston	.....	D6/337
3,414,301 A	*	12/1968	Crowe	.....	403/237
D226,546 S	*	3/1973	Priefert	.....	D6/499
D244,409 S	*	5/1977	Arnold	.....	D6/337
D250,151 S	*	11/1978	Pingel	.....	D6/337
D268,971 S	*	5/1983	Reineman	.....	D6/337
D286,953 S	*	12/1986	Mayo	.....	D6/337
4,738,484 A	*	4/1988	Leong	.....	297/158.3
D327,178 S	*	6/1992	Ryaa	.....	D6/337
D368,807 S	*	4/1996	Noll	.....	D6/337
D369,912 S	*	5/1996	Noll	.....	D6/337
D369,913 S	*	5/1996	Noll	.....	D6/337
D387,913 S	*	12/1997	Yurk	.....	D6/337
D413,734 S	*	9/1999	Bue	.....	D6/337
D417,965 S	*	12/1999	Strong et al.	.....	D6/337
6,065,802 A	*	5/2000	Bue	.....	297/158.4

**OTHER PUBLICATIONS**

Fusion K Coating, Inc. catalog, 1996, 4 pgs.\*  
 "Site Furnishings For A Lifetime", 02870/THO, Sweet  
 BuyLine 203, Thomas Steele, Middleton, WI, 2 pages.  
 "Signature Series", Leisure Craft, Inc. Hendersonville, NC,  
 1 page.  
 "Plastisol Furniture Line", 02870/KAY Sweet BuyLine  
 3835, Kay Park Recreation Corp., Janesville, IA, 2 pages.  
[http://www.forms-surfaces.com/products/images/site/vista/  
 VIS\\_01.jpg](http://www.forms-surfaces.com/products/images/site/vista/VIS_01.jpg), 1 page.  
 "Carousel", Landscapeforms, Kalamazoo, MI, 8 pages.

*Primary Examiner*—Sandra Snapp

(74) *Attorney, Agent, or Firm*—Heslin Rothenberg Farley  
& Mesiti P.C.

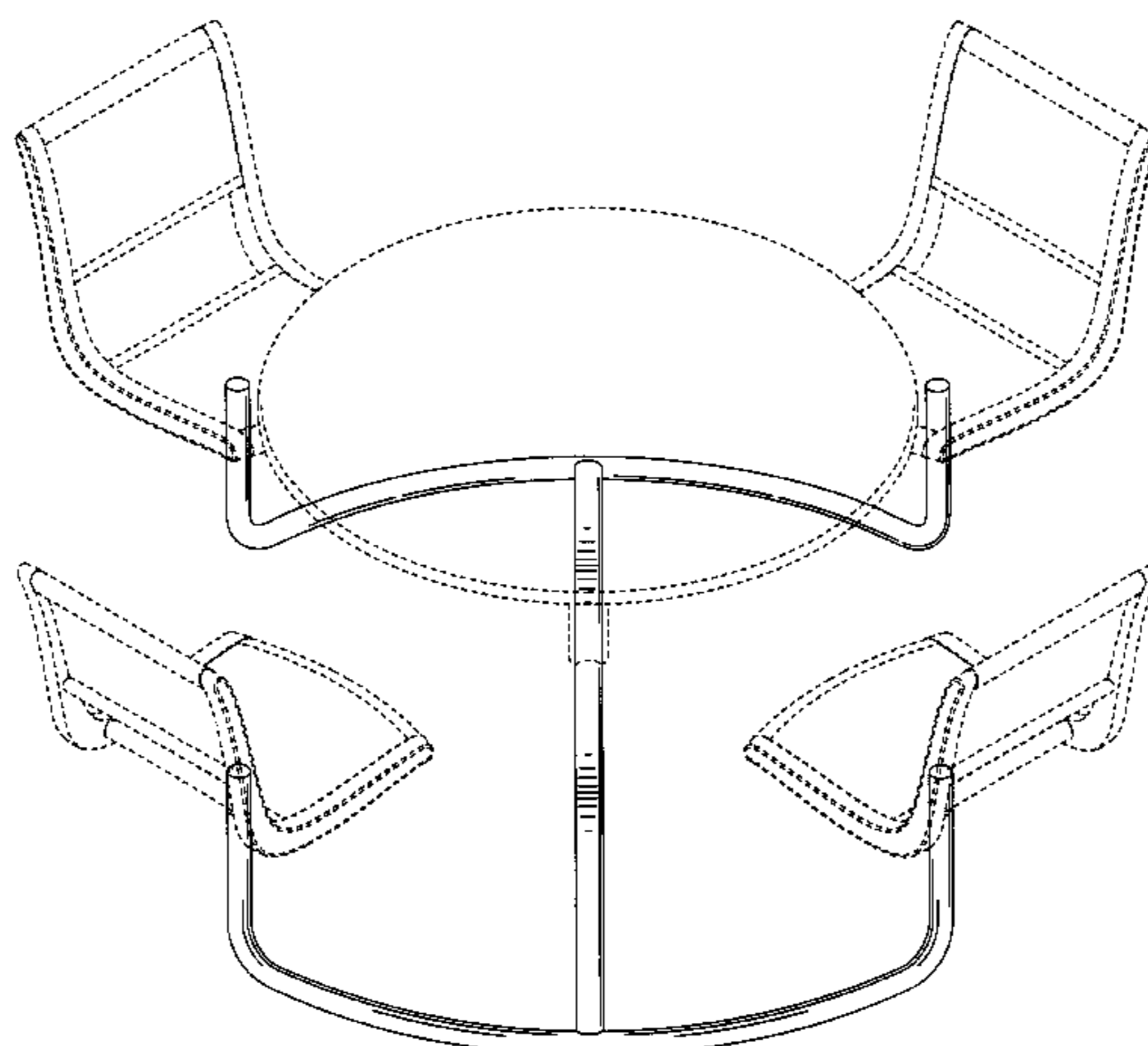
(57) **CLAIM**

The ornamental design for a seating support, as shown and  
described.

**DESCRIPTION**

FIG. 1 is an isometric view of the seating support of the  
present design;  
 FIG. 2 is a front elevation view thereof;  
 FIG. 3 is a rear elevation view thereof;  
 FIG. 4 is a top plan view thereof;  
 FIG. 5 is a bottom plan view thereof;  
 FIG. 6 is a right side elevation view thereof; and,  
 FIG. 7 is a left side elevation view thereof.  
 The broken line is for illustrative purposes only and forms  
no part of the claimed invention.

**1 Claim, 7 Drawing Sheets**



# US D542,060 S

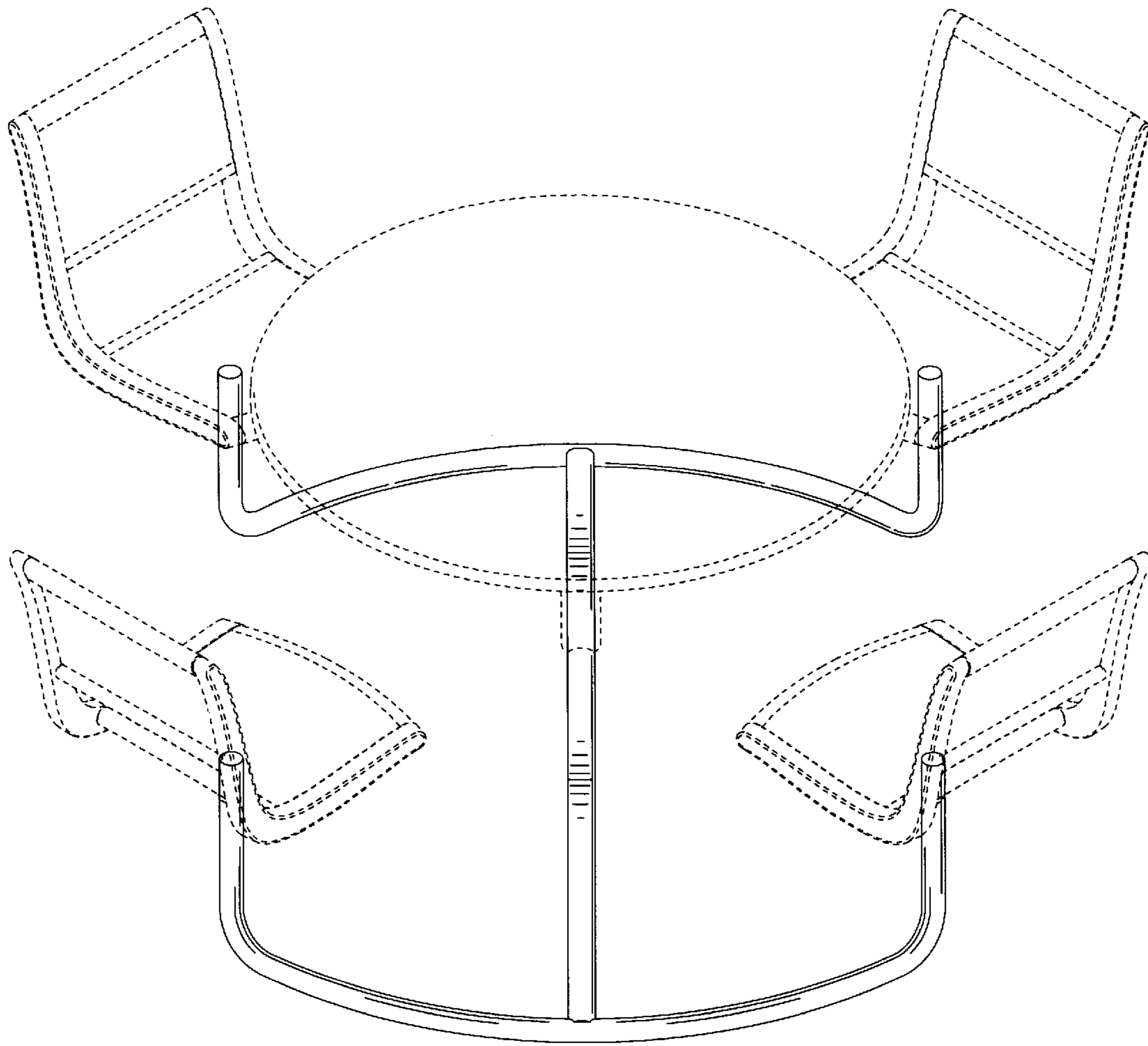
Page 2

---

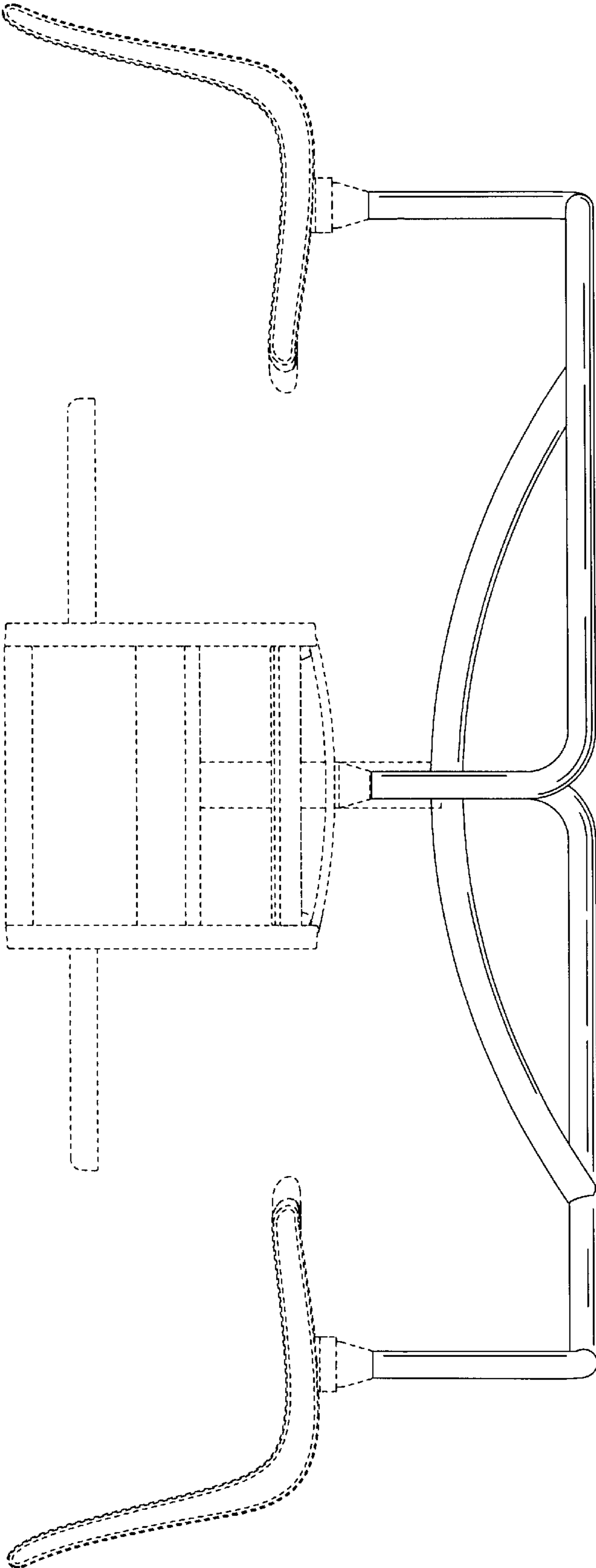
## U.S. PATENT DOCUMENTS

D478,732 S	*	8/2003	Pajerski et al. ....	D6/337	D496,799 S	*	10/2004	Thomas et al. ....	D6/337
D479,406 S	*	9/2003	Pajerski et al. ....	D6/337	D497,262 S	*	10/2004	Thomas et al. ....	D6/337
D479,773 S	*	9/2003	Pajerski et al. ....	D6/337	D514,830 S	*	2/2006	Bue .....	D6/337
D489,539 S	*	5/2004	Thomas et al. ....	D6/337					

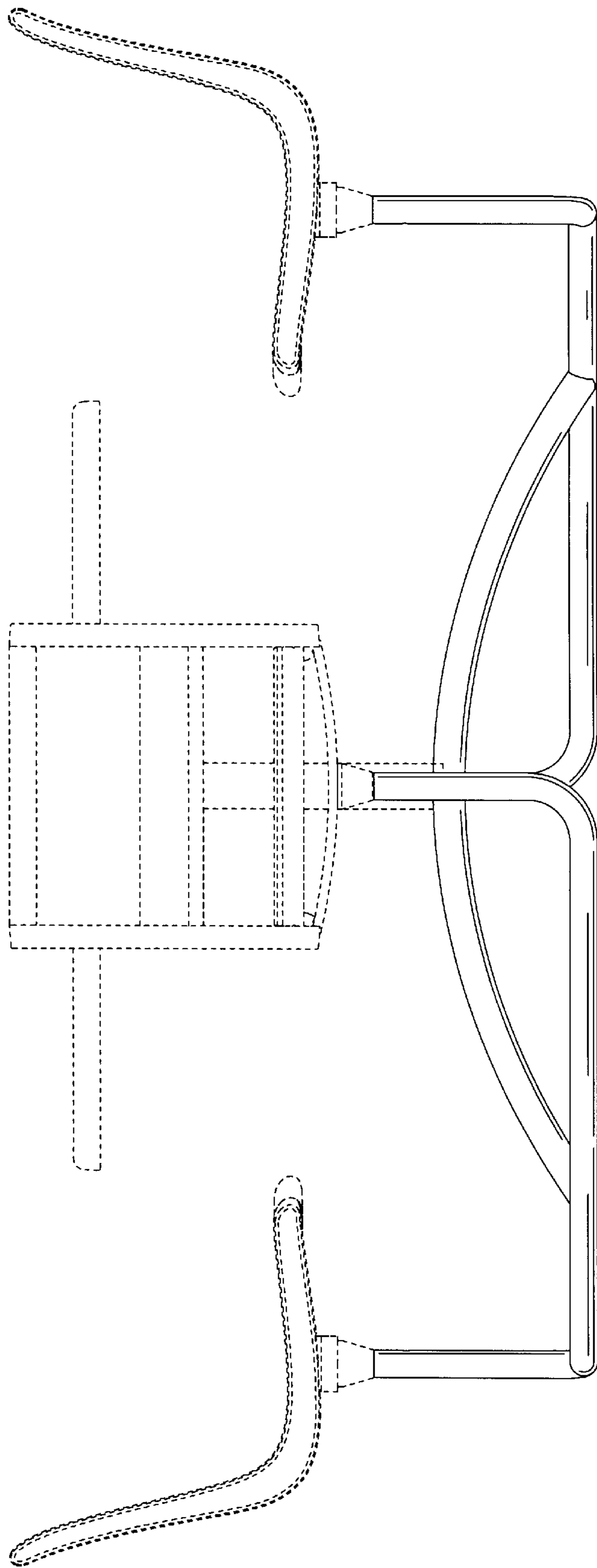
\* cited by examiner



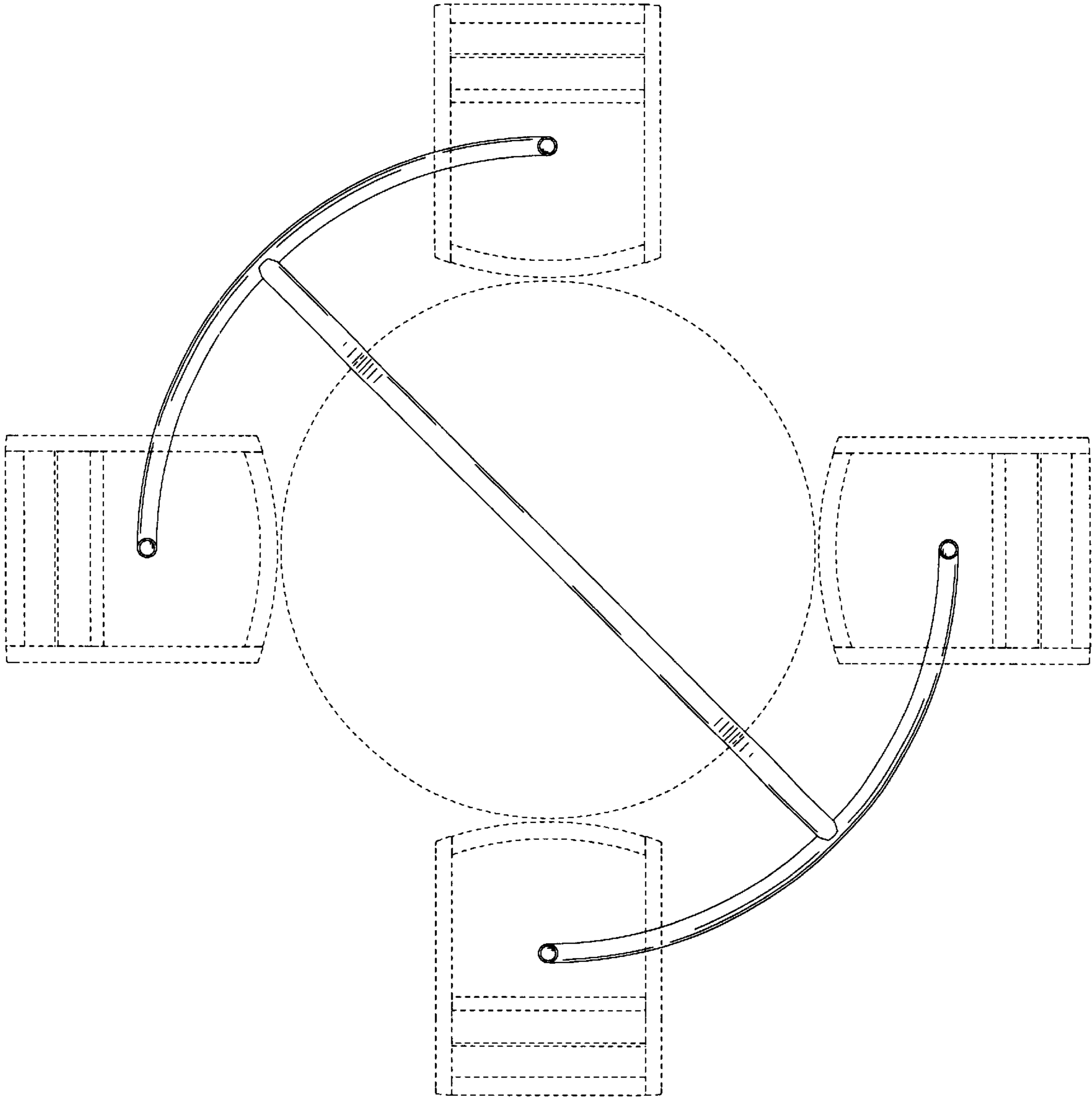
**FIG. 1**



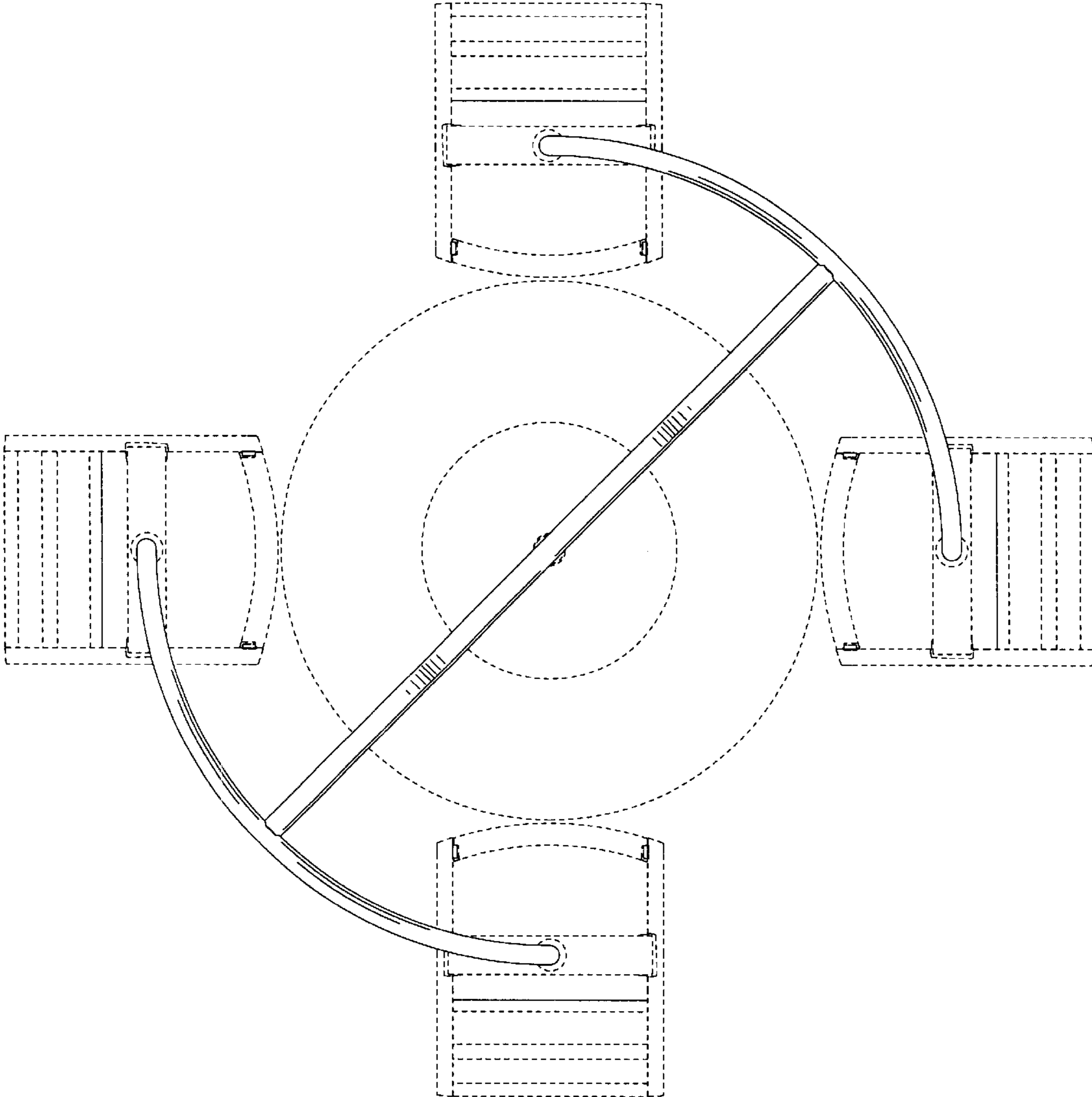
**FIG. 2**



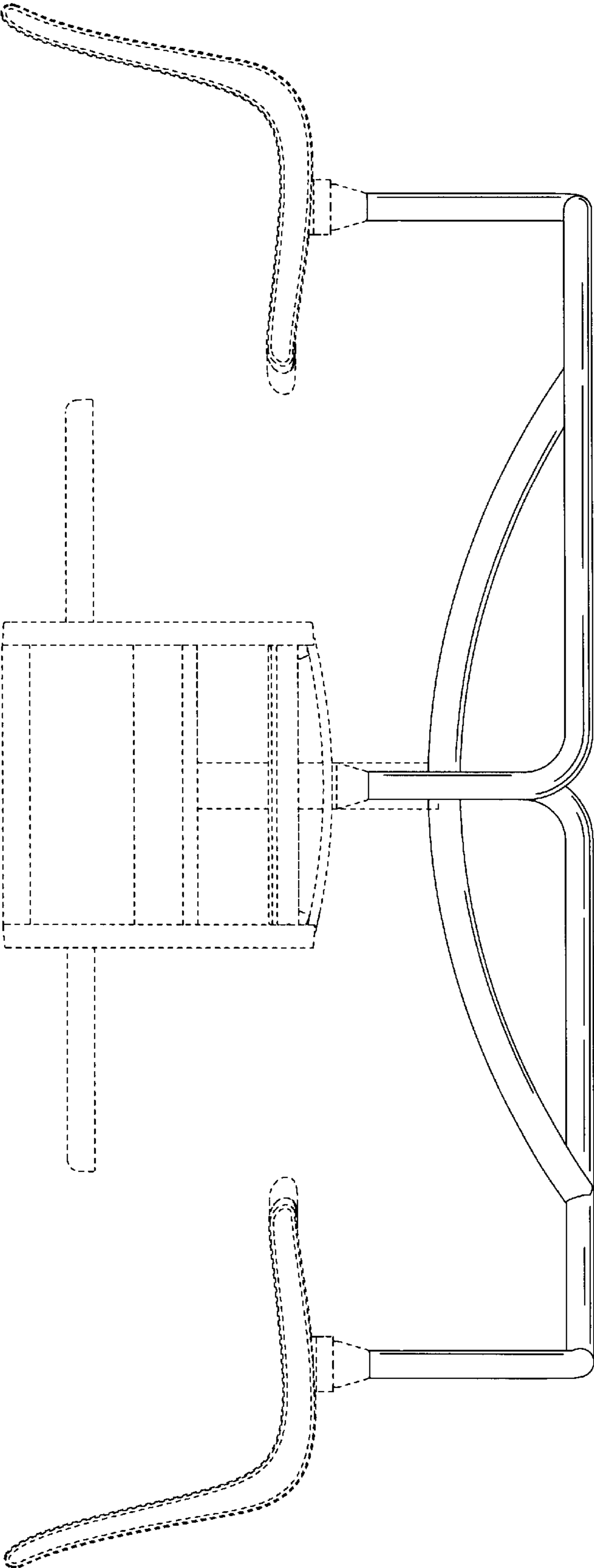
**FIG. 3**



**FIG. 4**

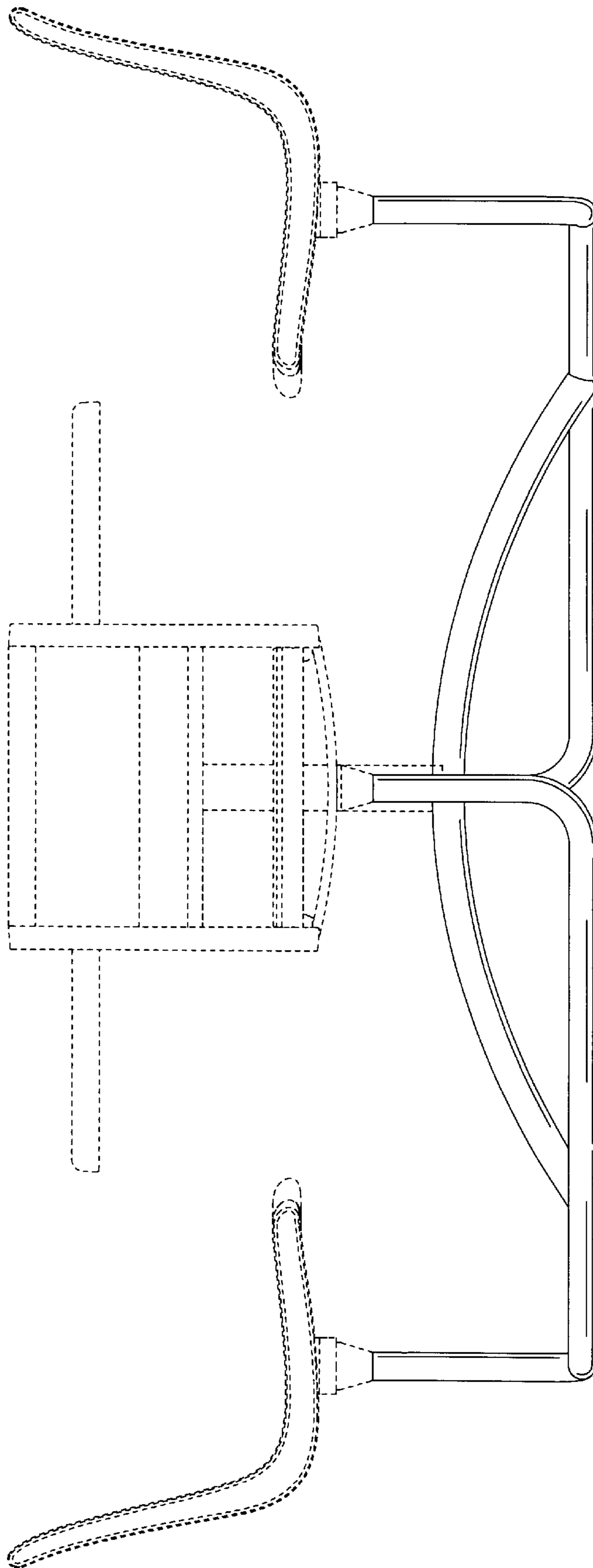


**FIG. 5**



**FIG. 6**





**FIG. 7**