



US00D542059S

(12) **United States Design Patent**
Moyle et al.

(10) **Patent No.:** **US D542,059 S**

(45) **Date of Patent:** **** *May 8, 2007**

(54) **STAND**

(75) Inventors: **Peter B. Moyle**, Howick (NZ); **Peke C P E Hallenheim**, Auckland (NZ)

(73) Assignee: **Criterion Manufacturing Limited**, Auckland (NZ)

(*) Notice: This patent is subject to a terminal disclaimer.

(**) Term: **14 Years**

(21) Appl. No.: **29/241,031**

(22) Filed: **Oct. 20, 2005**

(30) **Foreign Application Priority Data**

Apr. 22, 2005 (AU) 11658/05

(51) **LOC (8) Cl.** **06-04**

(52) **U.S. Cl.** **D6/479**

(58) **Field of Classification Search** D6/460, D6/461, 468, 474, 477-479; D14/126, 129; 312/7.2, 9.1; 108/59, 91, 92, 93, 96; 211/40, 211/41.12, 42, 49.1, 50, 85.2, 90.04, 187, 211/190, 119.003, 134.153, 87.01, 71.01
See application file for complete search history.

(56) **References Cited**

U.S. PATENT DOCUMENTS

D249,857 S * 10/1978 Adkinson D6/477

D375,004 S * 10/1996 Josefsson D6/477
D398,788 S * 9/1998 Schubert D6/436
D498,617 S * 11/2004 Murphy et al. D6/479
D507,428 S * 7/2005 Weatherly D6/437
D515,849 S * 2/2006 Niu D6/479
2004/0135476 A1 * 7/2004 Gillengerten 312/8.16

* cited by examiner

Primary Examiner—Cathron C. Brooks

(74) *Attorney, Agent, or Firm*—Intellectual Property Law Group LLP; Otto O. Lee; Juneko C. Jackson

(57) **CLAIM**

The ornamental design for a stand, as shown and described.

DESCRIPTION

FIG. 1 is a right side perspective view of a stand, embodying my new design;

FIG. 2 is a left side perspective view thereof;

FIG. 3 is a front elevational view thereof;

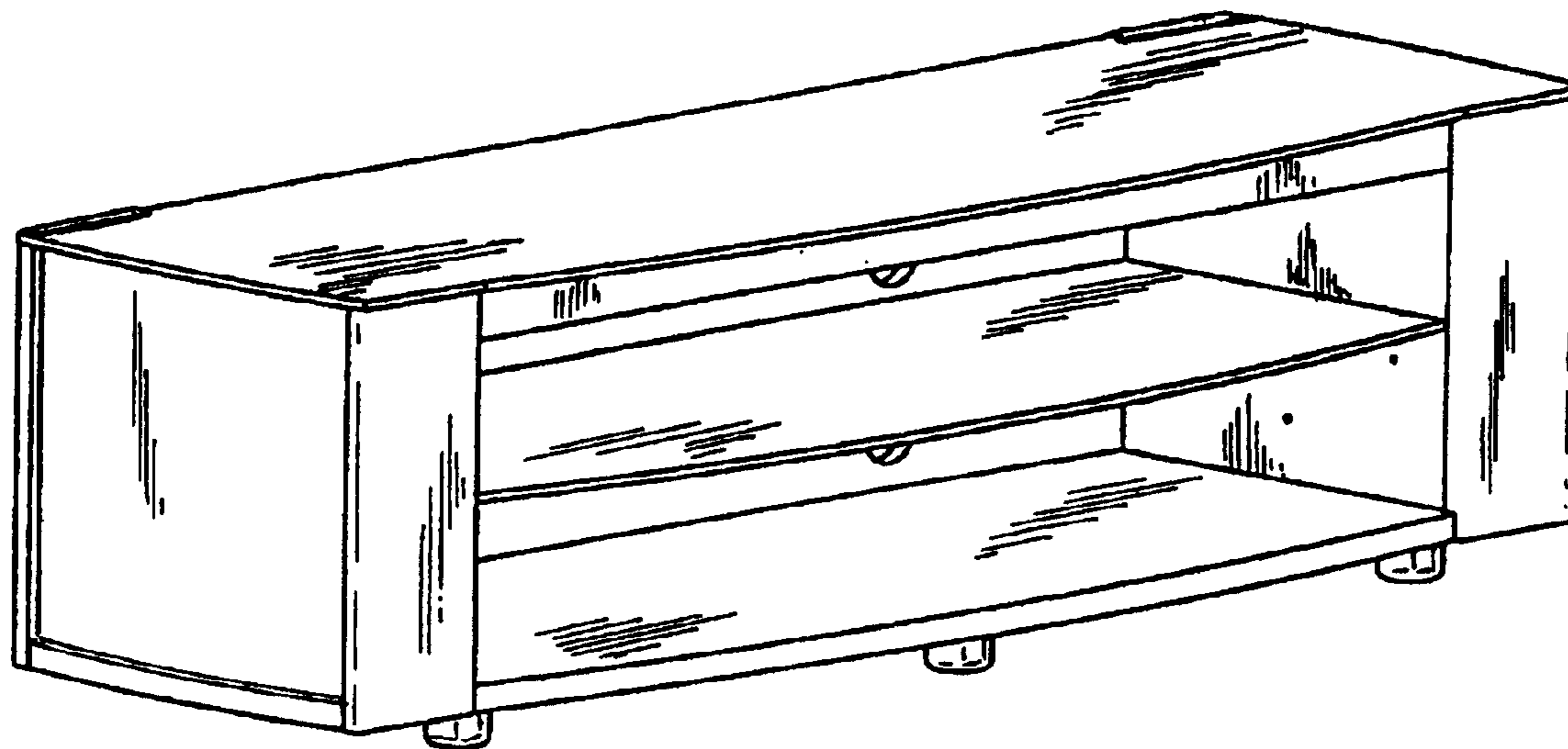
FIG. 4 is a rear elevational view thereof;

FIG. 5 is a top plan view thereof;

FIG. 6 is a right side elevational view thereof; and,

FIG. 7 is a left side elevational view thereof.

1 Claim, 3 Drawing Sheets



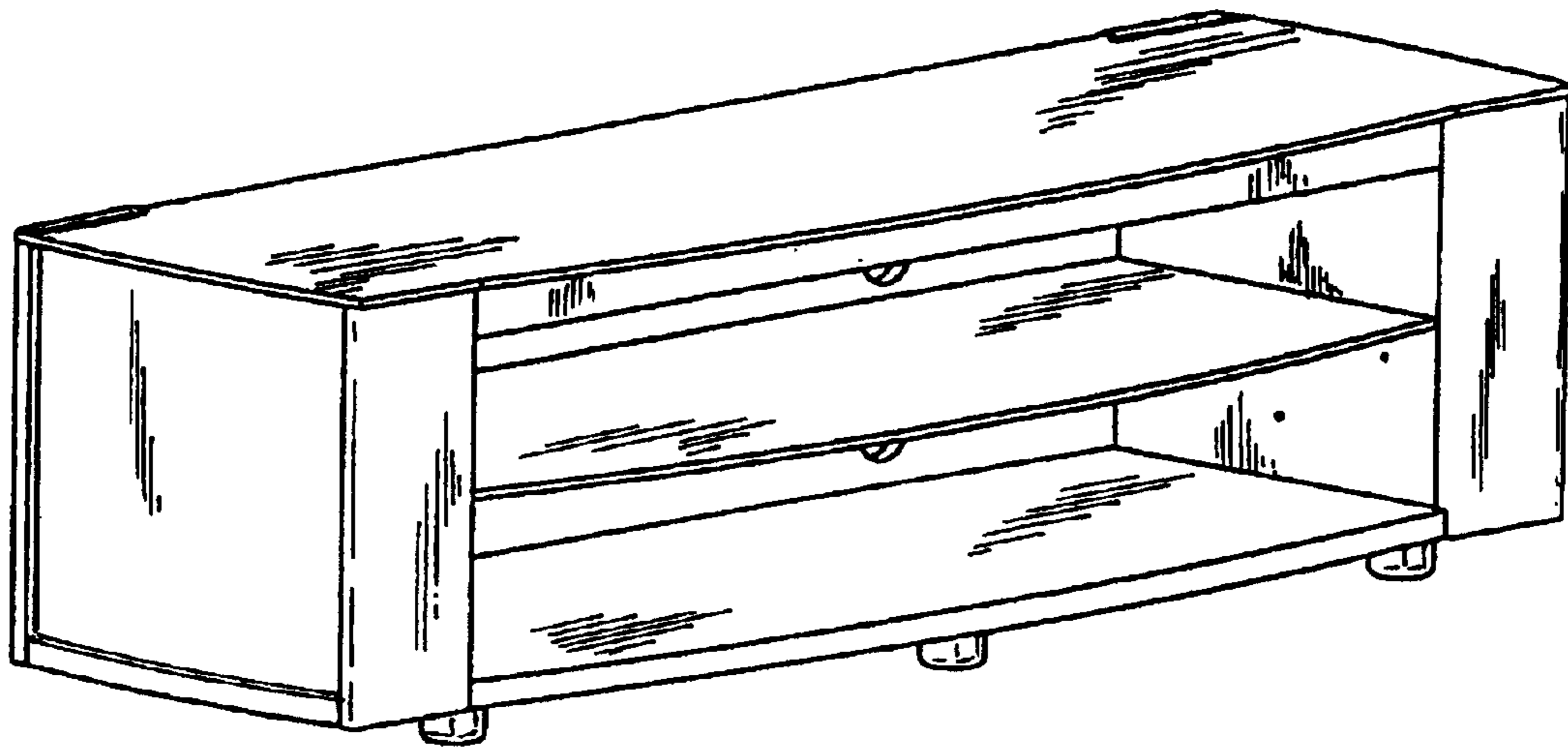


FIG 1

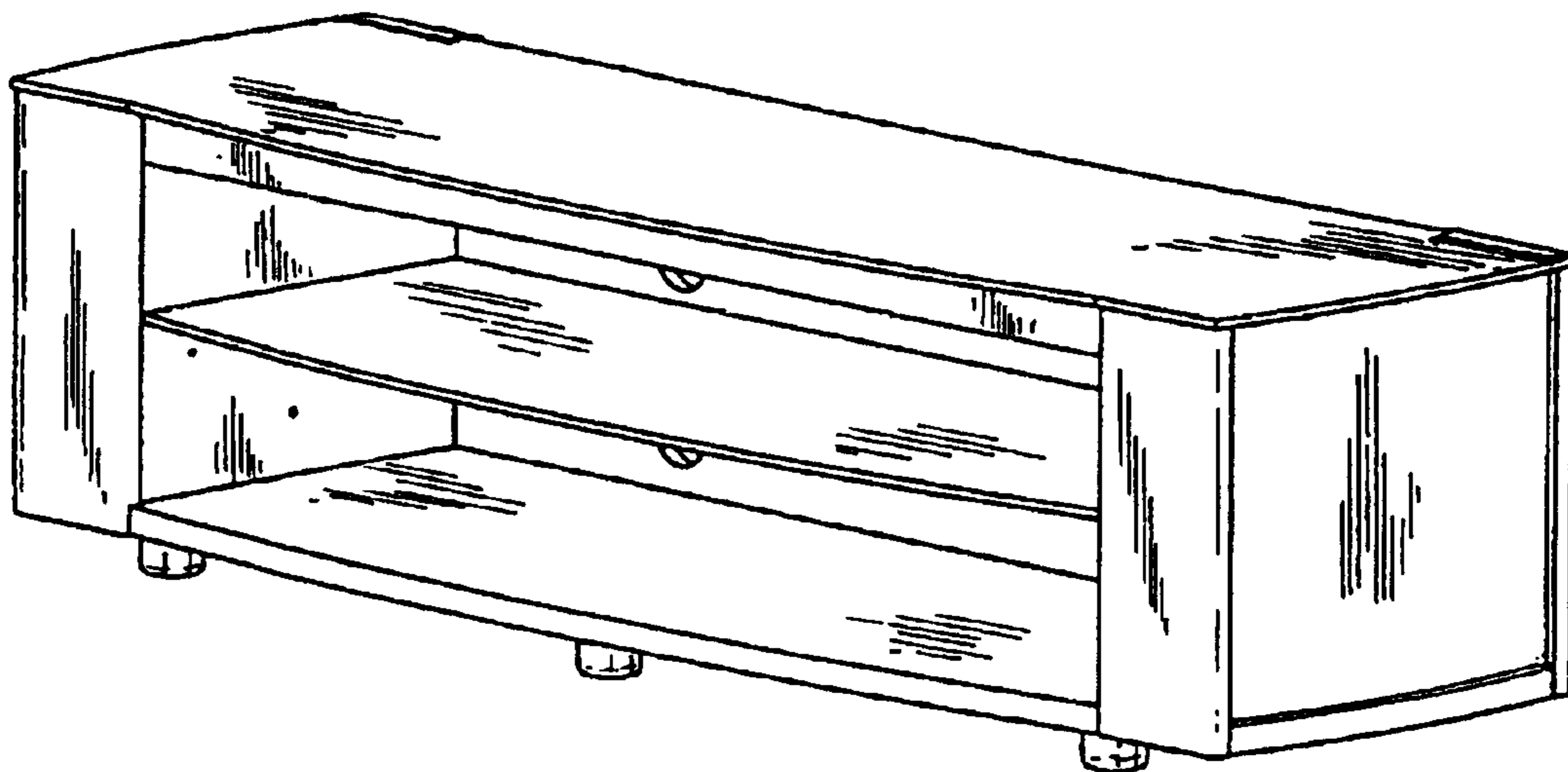


FIG 2

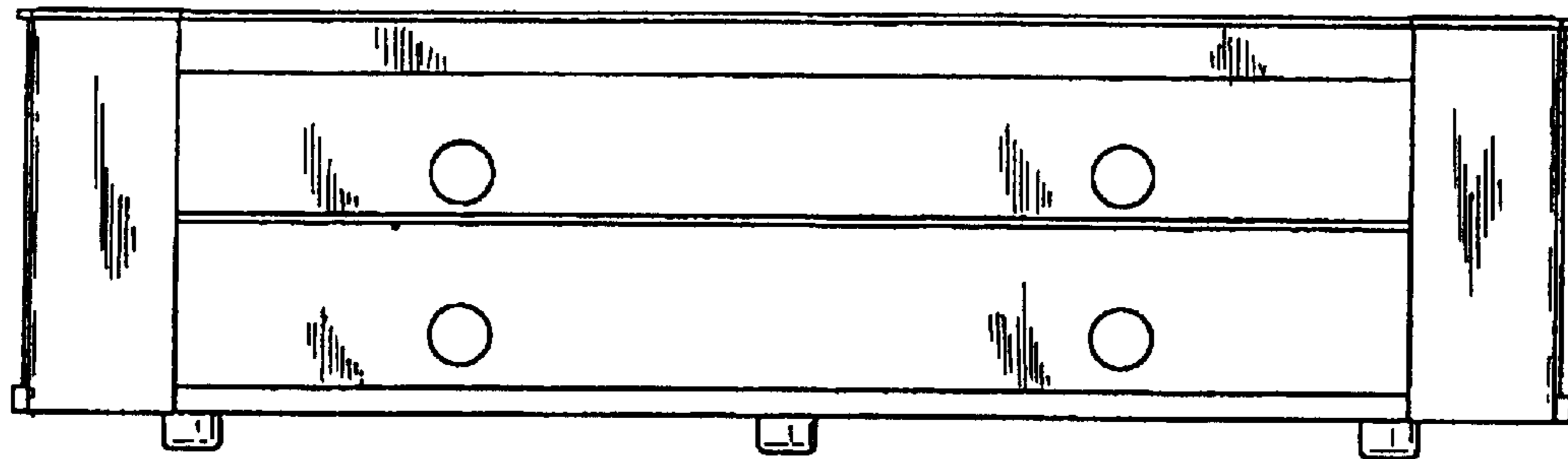


FIG 3

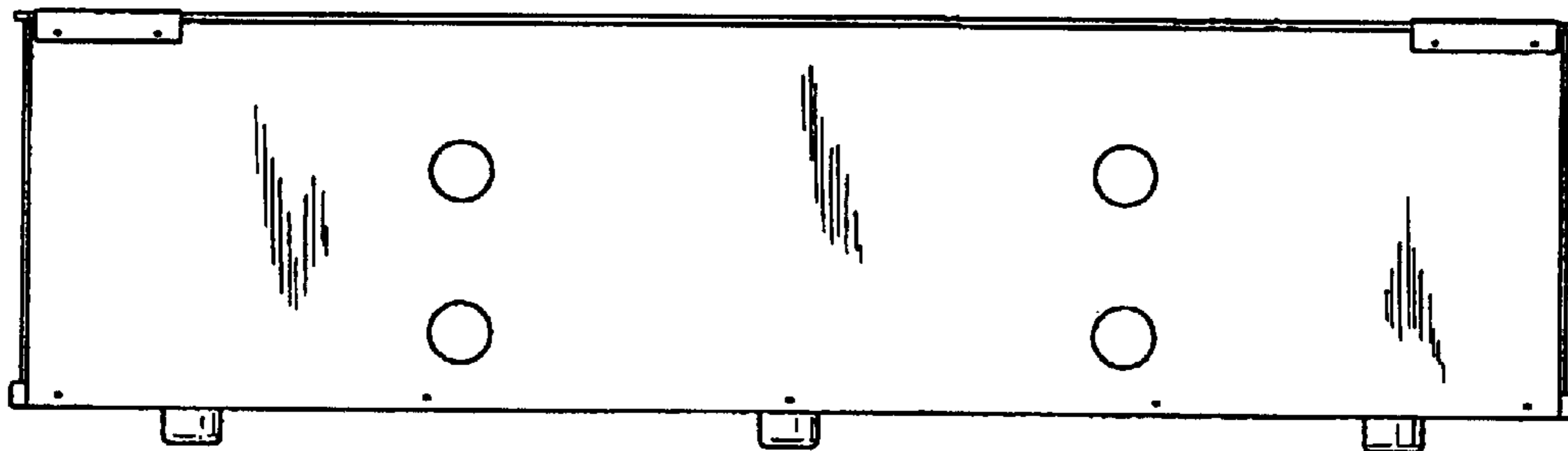


FIG 4

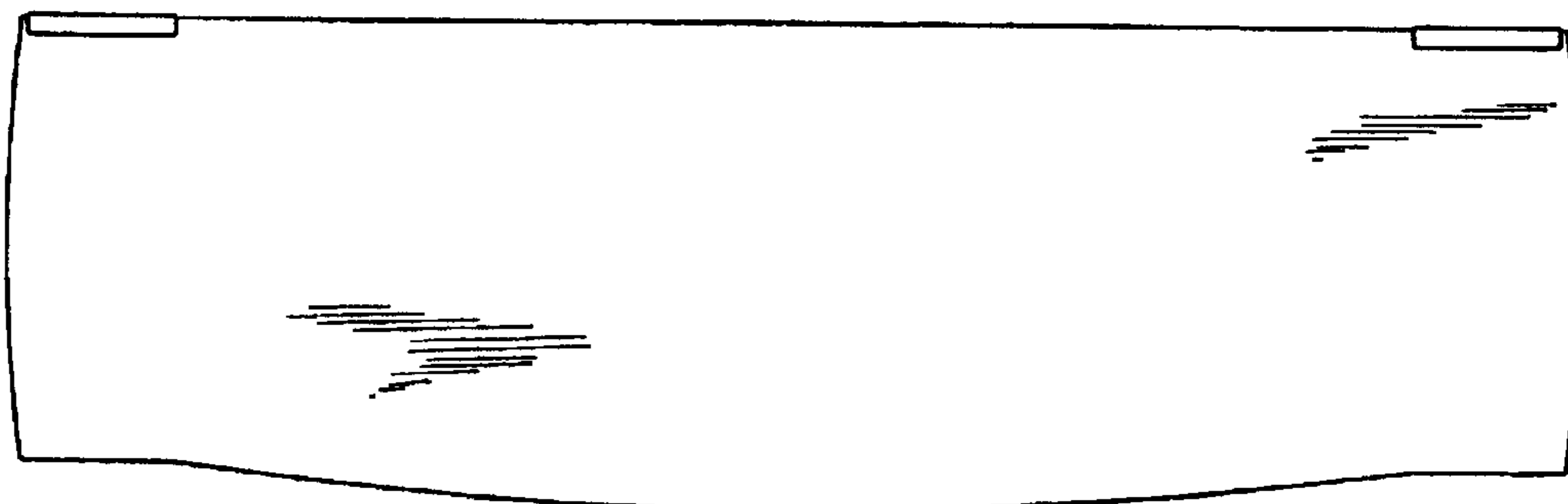


FIG 5

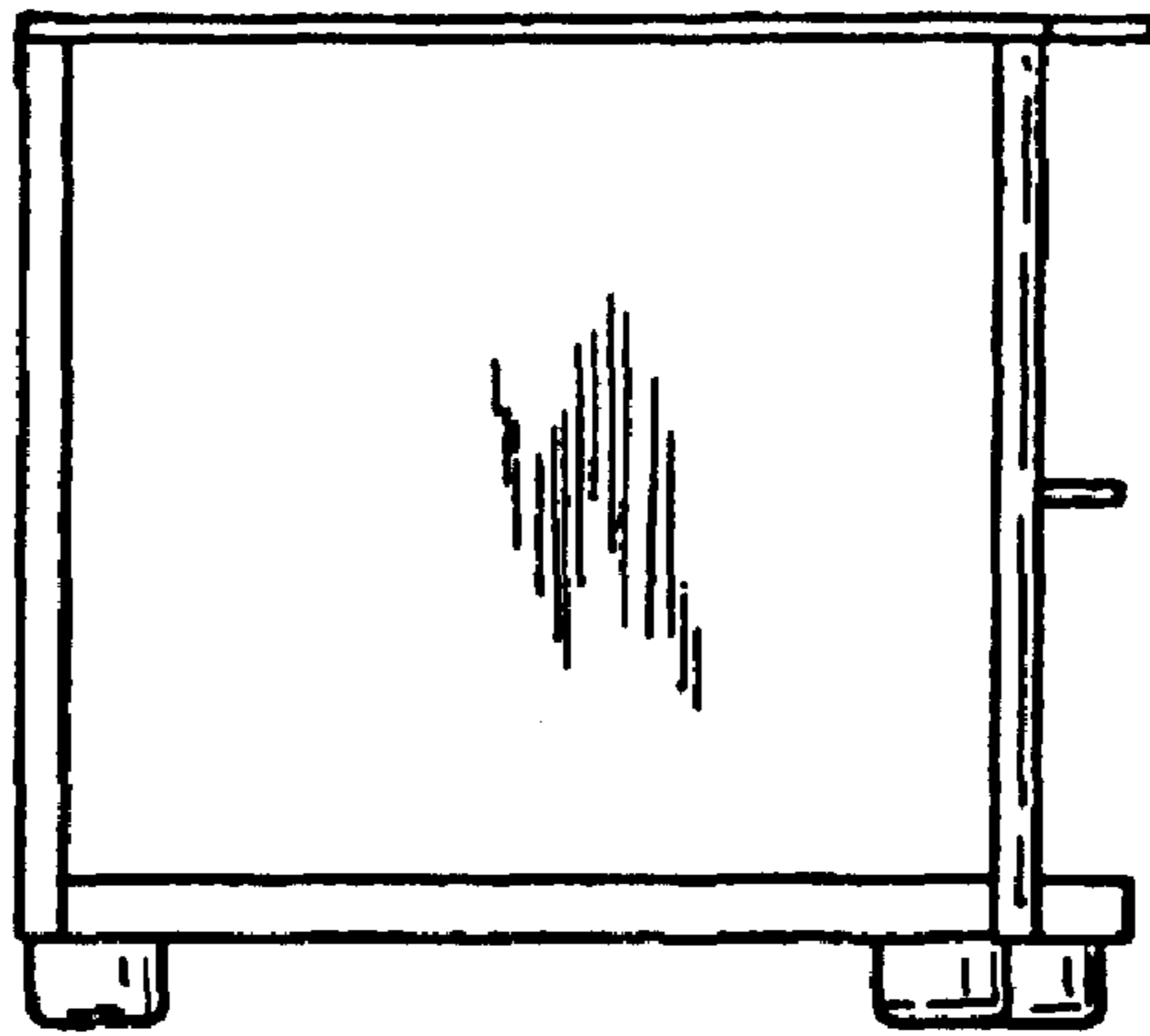


FIG 6

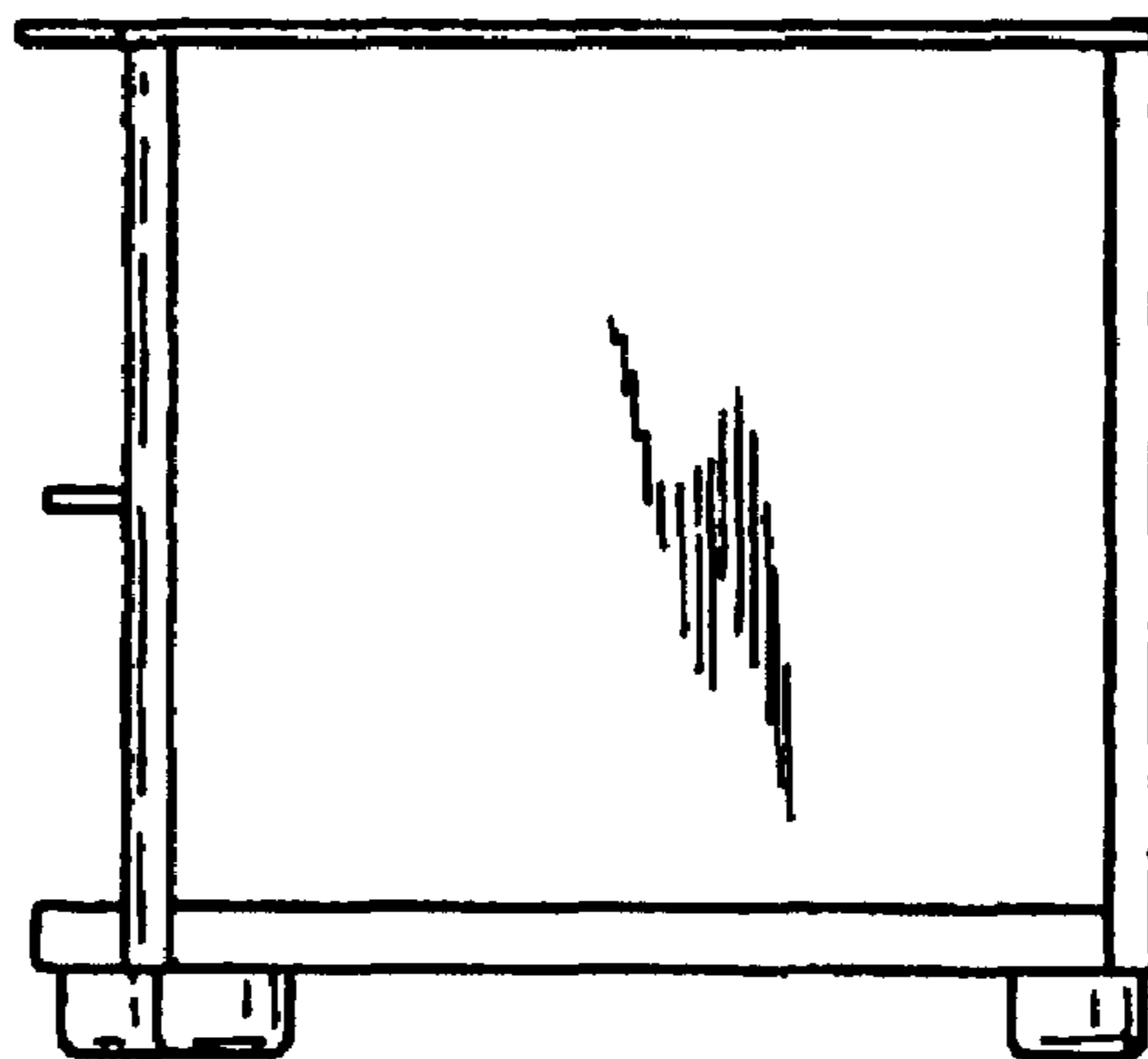


FIG 7