



US00D542055S

(12) **United States Design Patent**
Wilenius

(10) **Patent No.:** **US D542,055 S**

(45) **Date of Patent:** **** May 8, 2007**

(54) **SHELF ORGANIZING TRAY**

(75) Inventor: **Jaakko Wilenius**, Helsinki (FI)

(73) Assignee: **Display Team Oy** (FI)

(**) Term: **14 Years**

(21) Appl. No.: **29/213,519**

(22) Filed: **Sep. 20, 2004**

(30) **Foreign Application Priority Data**

Mar. 19, 2004 (EM) 157003

(51) **LOC (8) Cl.** **06-04**

(52) **U.S. Cl.** **D6/408**

(58) **Field of Classification Search** D6/396,
D6/408, 436, 449, 475, 476, 510-513, 515,
D6/520, 523, 566; 211/13.1, 51, 59.2, 59.3;
D19/87, 92; D3/304; 312/34.22; 222/544,
222/556; 206/509, 557; D7/609; 83/395
See application file for complete search history.

(56) **References Cited**

U.S. PATENT DOCUMENTS

- D140,750 S * 4/1945 Hervey D6/566
- D158,785 S * 5/1950 Peterson D19/92
- 2,677,483 A * 5/1954 Shaw 222/556
- D246,847 S * 1/1978 Landau et al. D19/87
- D327,971 S * 7/1992 Cugley D3/304
- D333,052 S * 2/1993 Bumb D6/476

- D369,708 S * 5/1996 Breen D6/515
- D401,119 S * 11/1998 Demore D7/609
- D465,332 S * 11/2002 Brown D3/304
- D496,179 S * 9/2004 Sjoberg D6/408

* cited by examiner

Primary Examiner—Robert M. Spear
Assistant Examiner—Mary Ann Calabrese

(74) *Attorney, Agent, or Firm*—Connolly Bove Lodge & Hutz LLP

(57) **CLAIM**

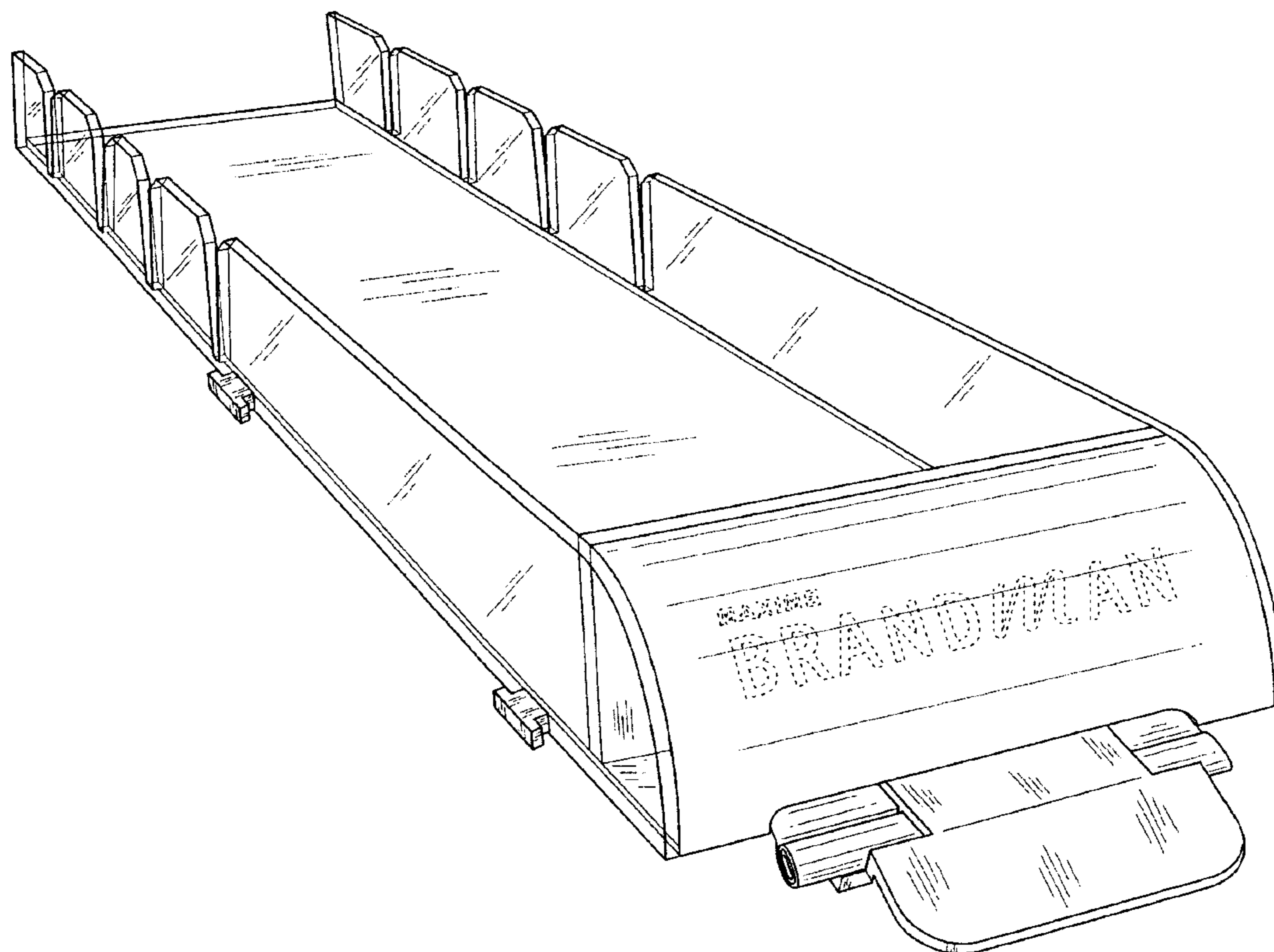
The ornamental design for a shelf organizing tray, as shown and described.

DESCRIPTION

FIG. 1 is a perspective view of a shelf organizing tray in accordance with the ornamental design, with a product information slip in a retracted position; FIG. 2 is a reduce scale top view thereof; FIG. 3 is a front view thereof; FIG. 4 is a rear view thereof; FIG. 5 is a right side view thereof; FIG. 6 is a left side view thereof; and, FIG. 7 is a further reduce scale perspective view of the shelf organizing tray with the product information slip in an extended position.

The broken line showing is for illustrative purposes only and forms no part of the claimed design.

1 Claim, 4 Drawing Sheets



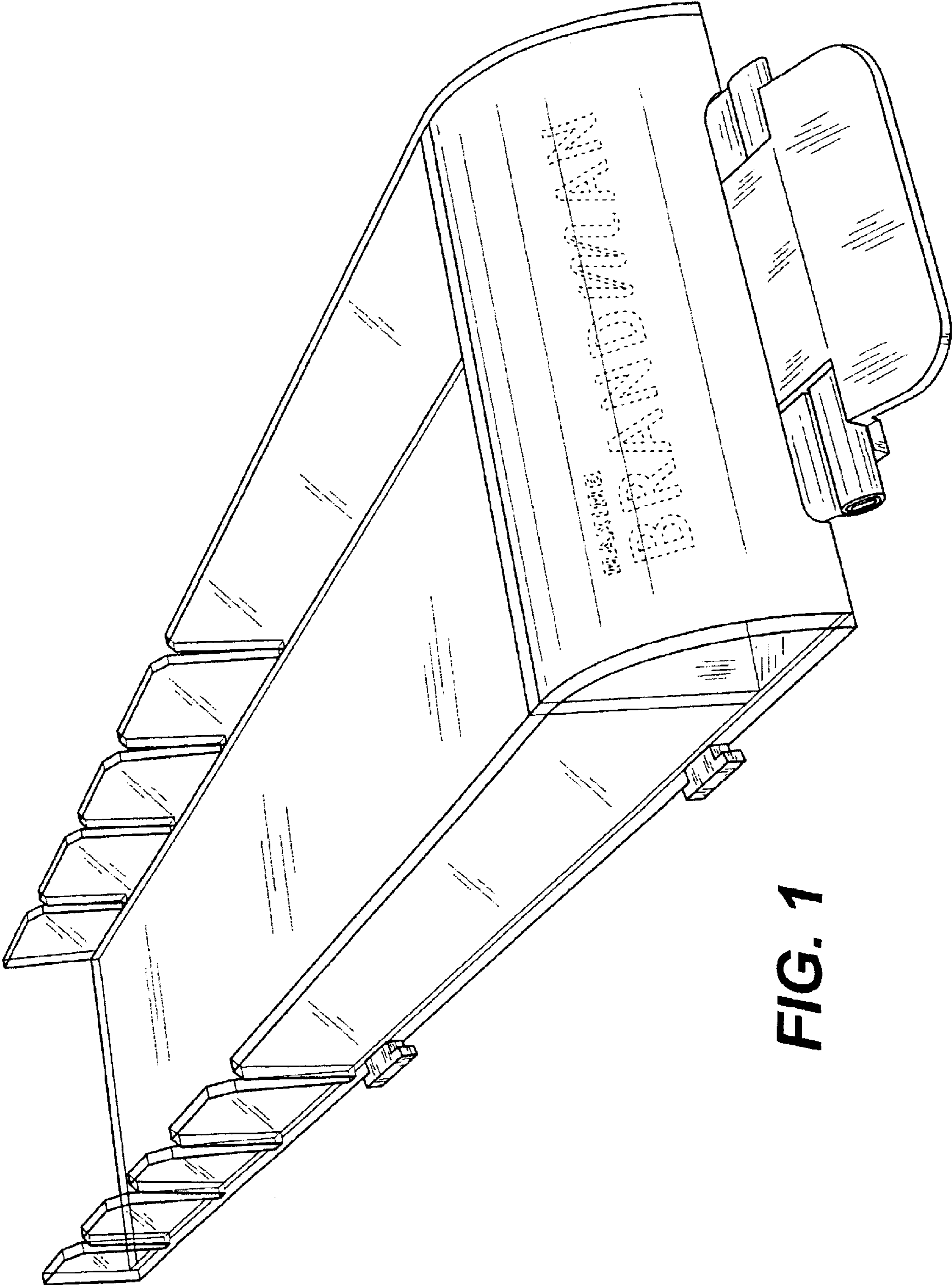


FIG. 1

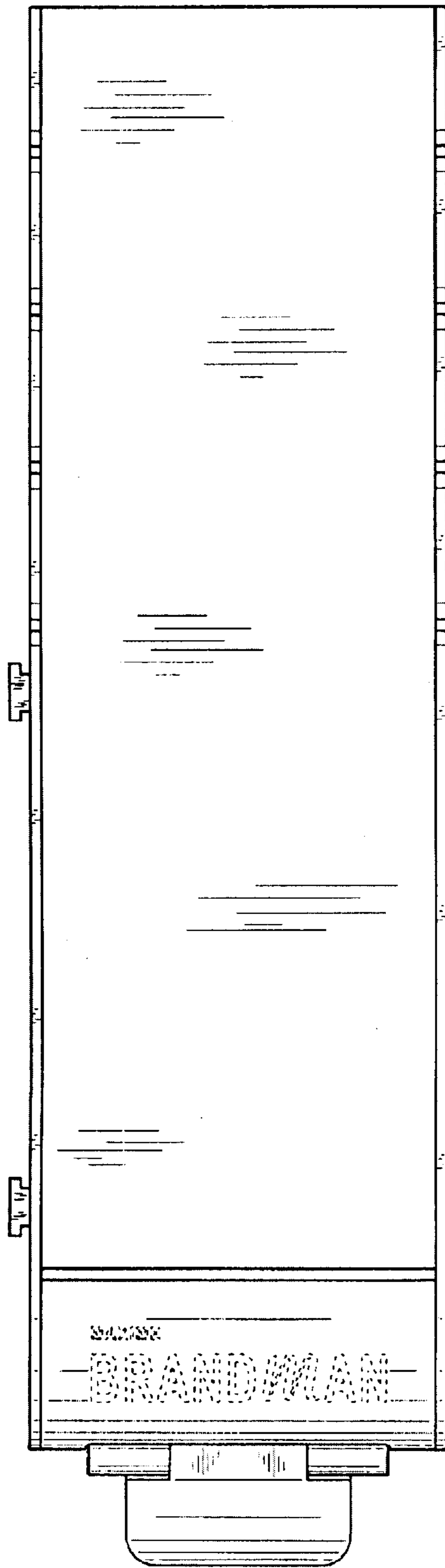


FIG. 2

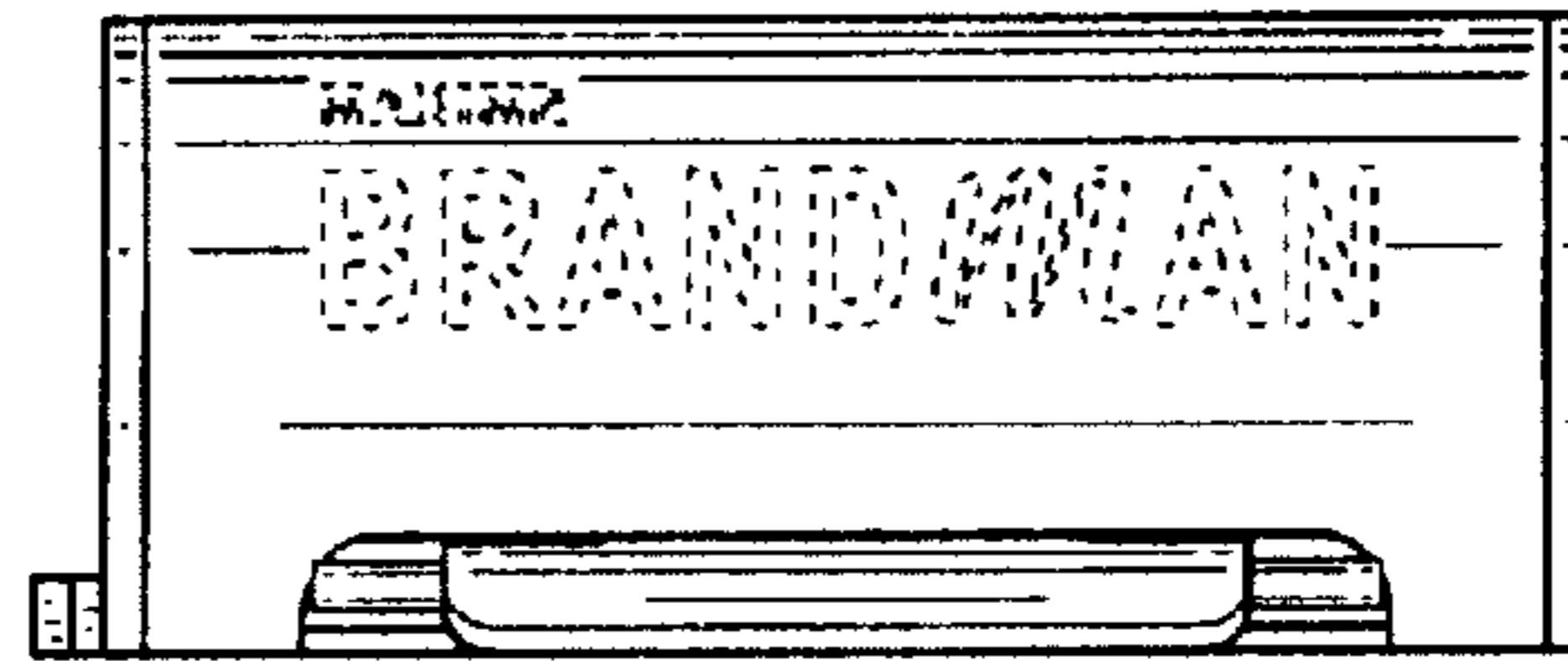


FIG. 3

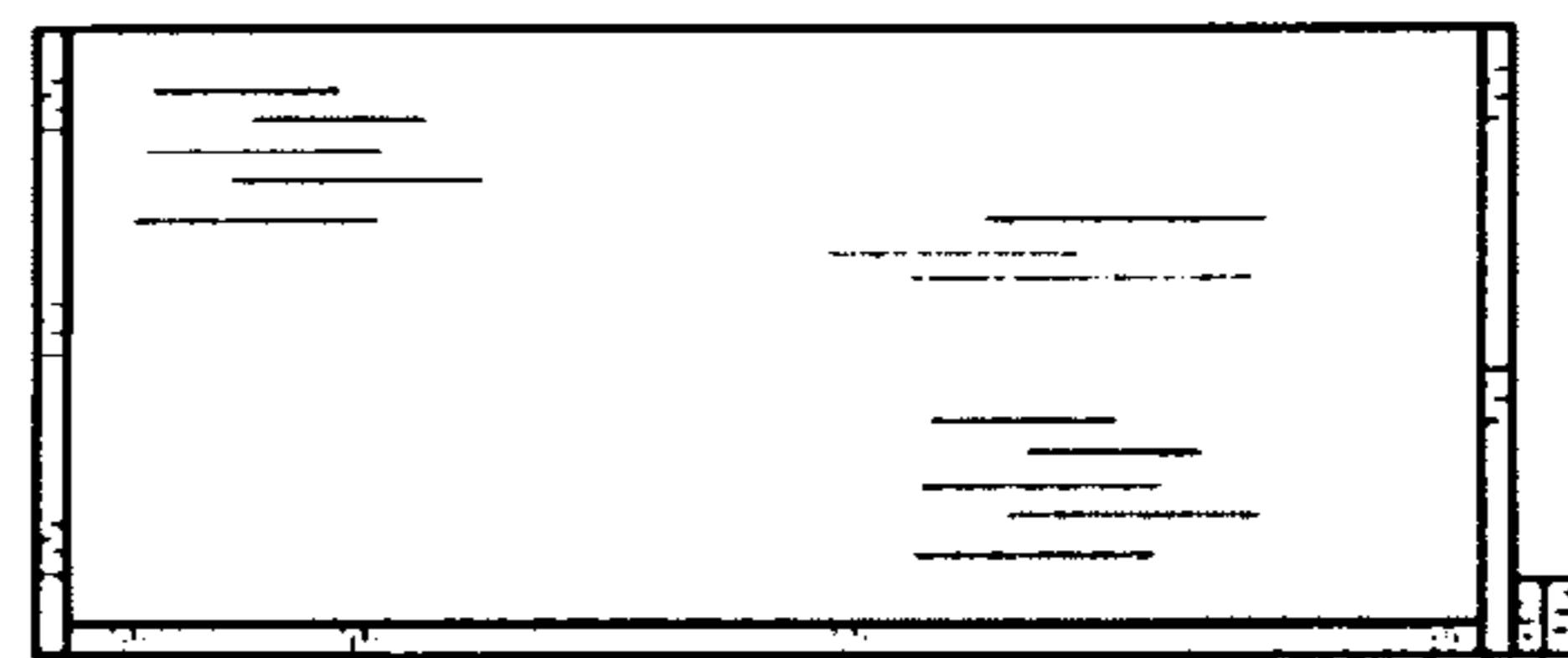


FIG. 4

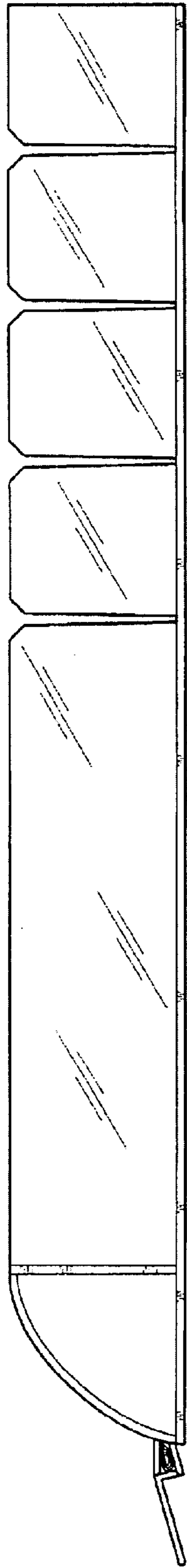


FIG. 5

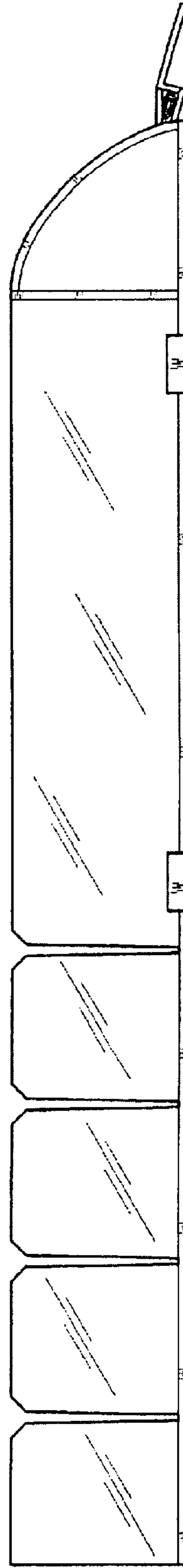


FIG. 6

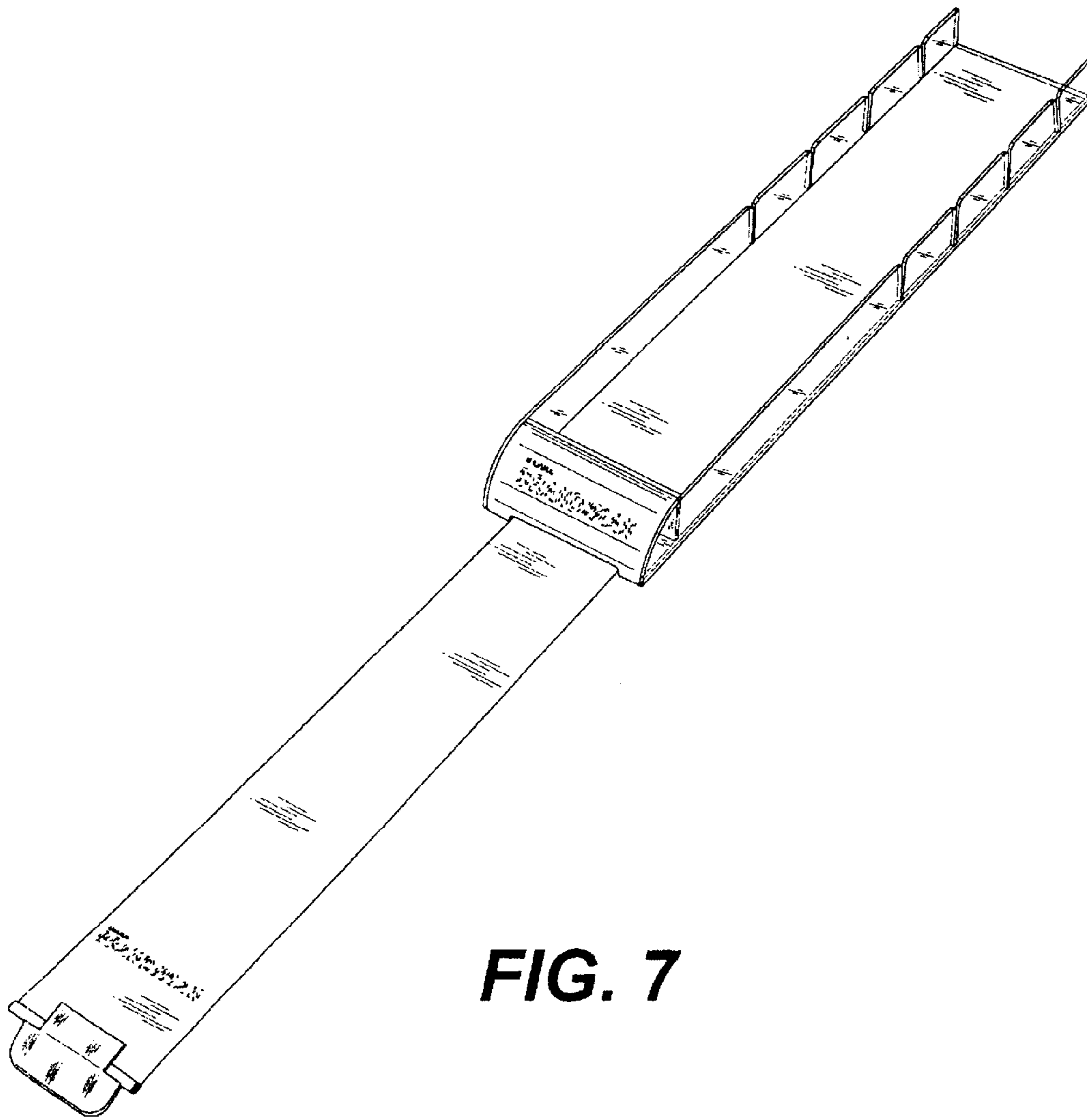


FIG. 7