

US00D542054S

(12) **United States Design Patent**
Knight

(10) **Patent No.:** **US D542,054 S**

(45) **Date of Patent:** **** May 8, 2007**

(54) **COMBINED CONTAINER AND STAND**

(75) **Inventor:** **Nancy L. Knight**, San Rafael, CA (US)

(73) **Assignee:** **Smith & Hawkens, Ltd.**, Novato, CA (US)

(**) **Term:** **14 Years**

(21) **Appl. No.:** **29/245,300**

(22) **Filed:** **Dec. 20, 2005**

(51) **LOC (8) Cl.** **11-02**

(52) **U.S. Cl.** **D6/403**

(58) **Field of Classification Search** D6/403,
D6/404, 556-558; D7/515, 518, 521, 523,
D7/549, 554.3, 562, 564; D11/143-149, 152-156;
D19/77, 80-82, 84, 85; D26/9, 16; 47/32.7,
47/33, 39, 41.01, 41.1, 41.12-41.15, 44-47,
47/65.5, 66.1, 66.6, 66.7, 67-71
See application file for complete search history.

(56) **References Cited**

U.S. PATENT DOCUMENTS

D63,046 S * 9/1923 Stuck D6/403
D81,436 S * 6/1930 Dew et al. D6/403

4,102,323 A * 7/1978 Pritz D11/143
D372,137 S * 7/1996 Hollinger D6/403
D434,247 S * 11/2000 Rosenberg D6/403
D478,735 S * 8/2003 Sellers D6/403
D497,494 S * 10/2004 Tseng D6/403
D519,322 S * 4/2006 Hutton D7/523

* cited by examiner

Primary Examiner—Robert M. Spear

Assistant Examiner—Garth Rademaker

(74) *Attorney, Agent, or Firm*—Manatt, Phelps and Phillips

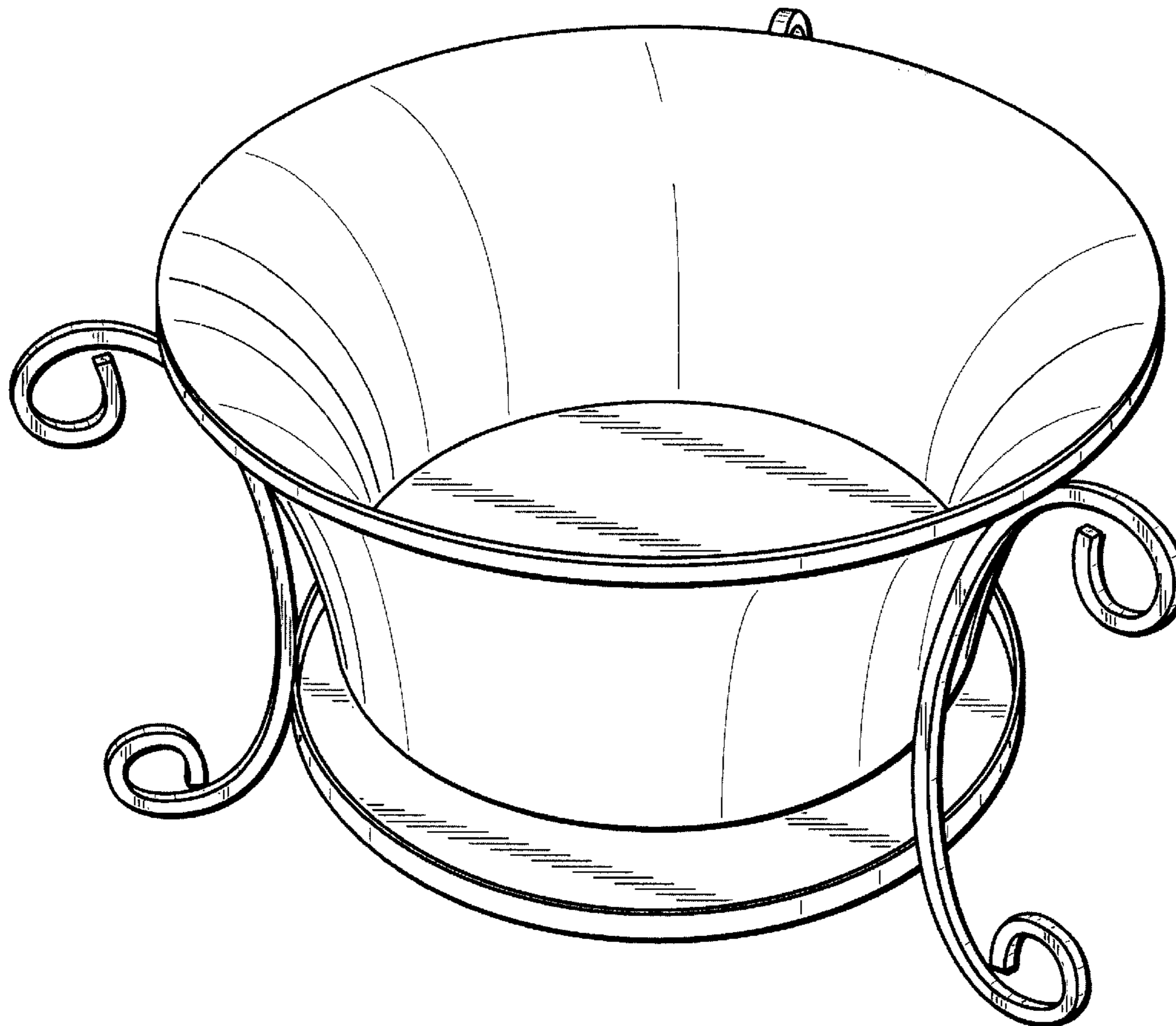
(57) **CLAIM**

The ornamental design for a combined container and stand, as shown and described.

DESCRIPTION

FIG. 1 is a perspective view of a combined container and stand according to the present invention; FIG. 2 is a front elevational view thereof; FIG. 3 is a rear elevational view thereof; FIG. 4 is a right side elevational view thereof; FIG. 5 is a top plan view thereof; and, FIG. 6 is a bottom plan view thereof.

1 Claim, 4 Drawing Sheets



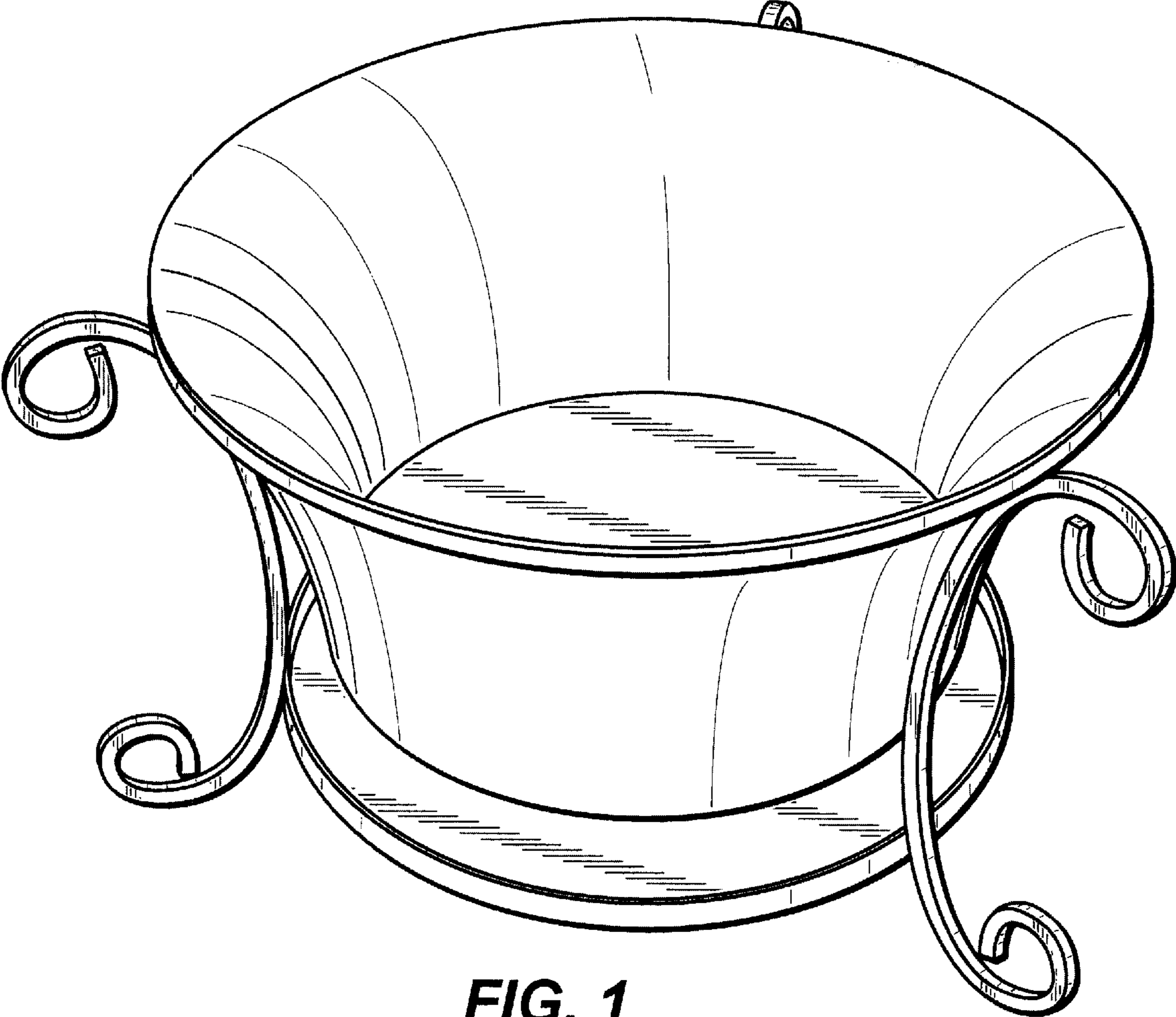


FIG. 1

FIG. 2

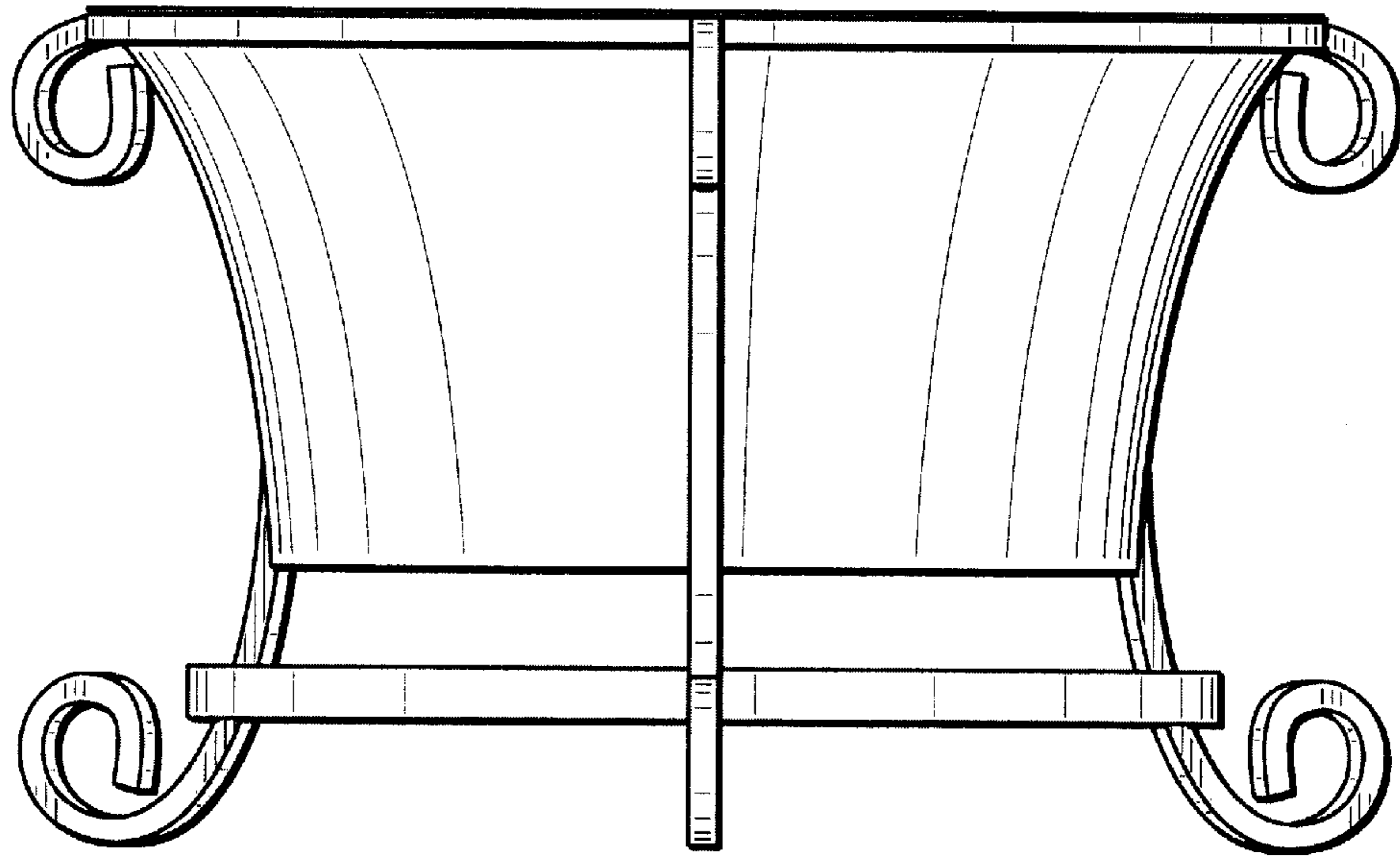


FIG. 5

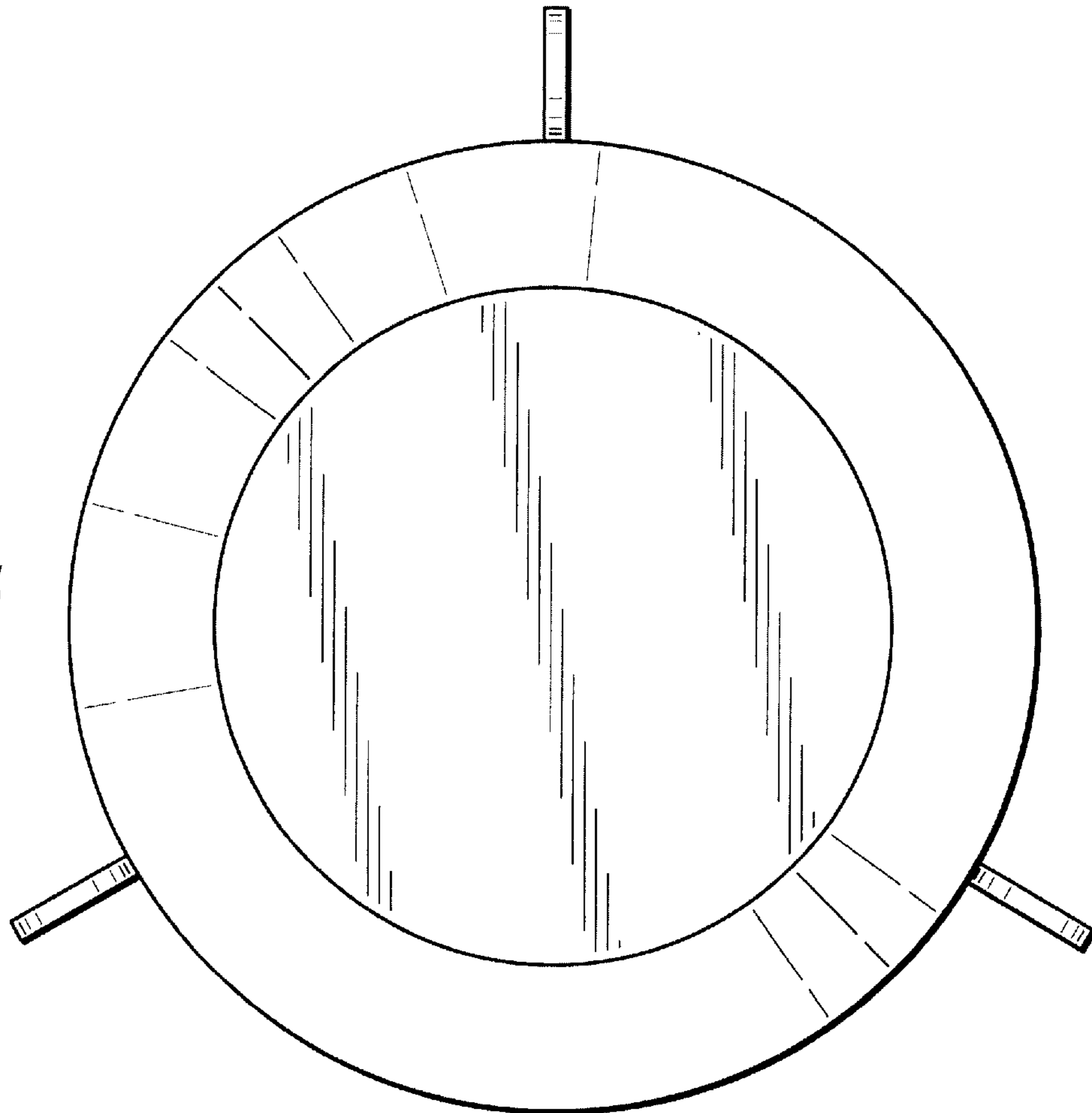


FIG. 3

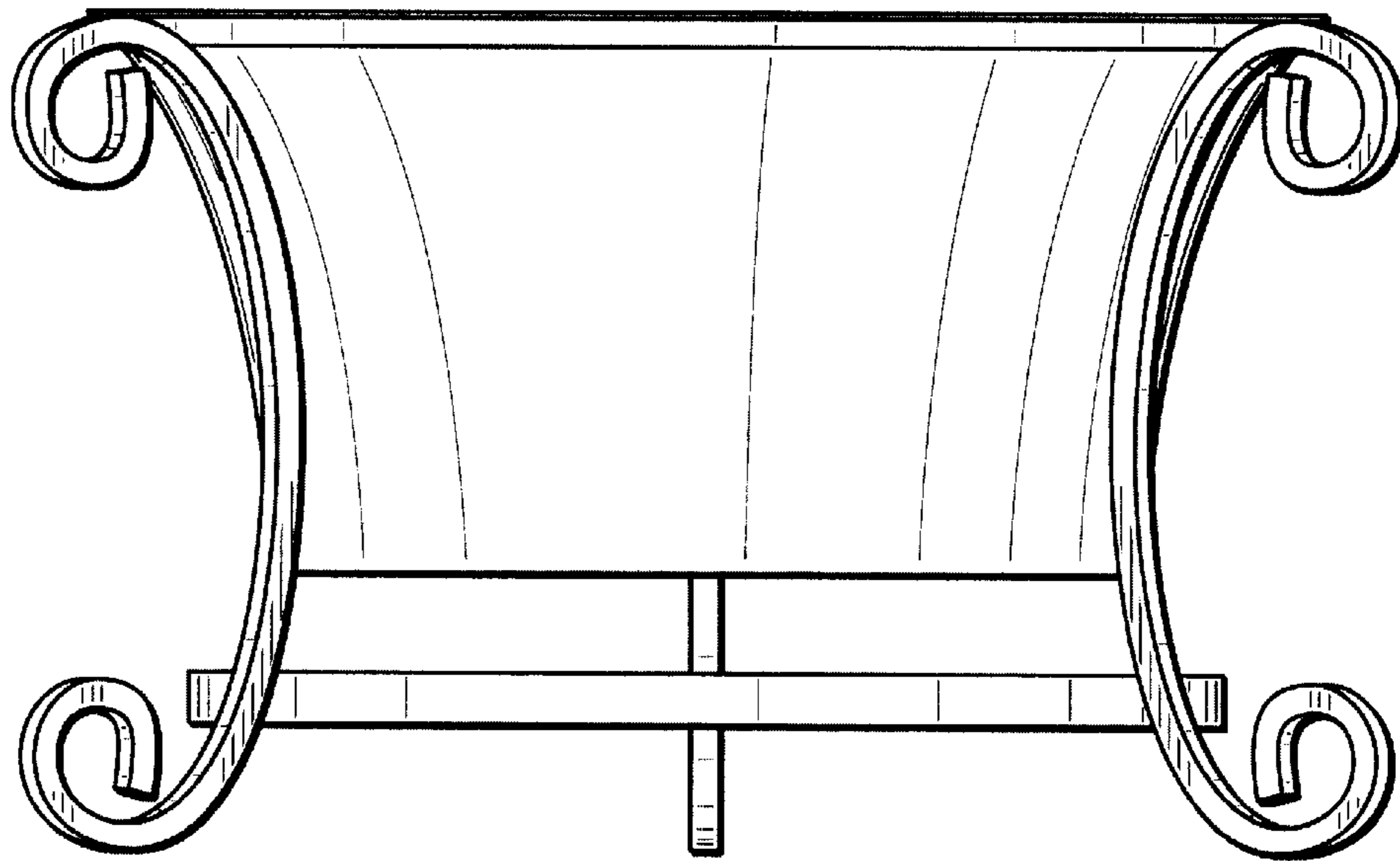
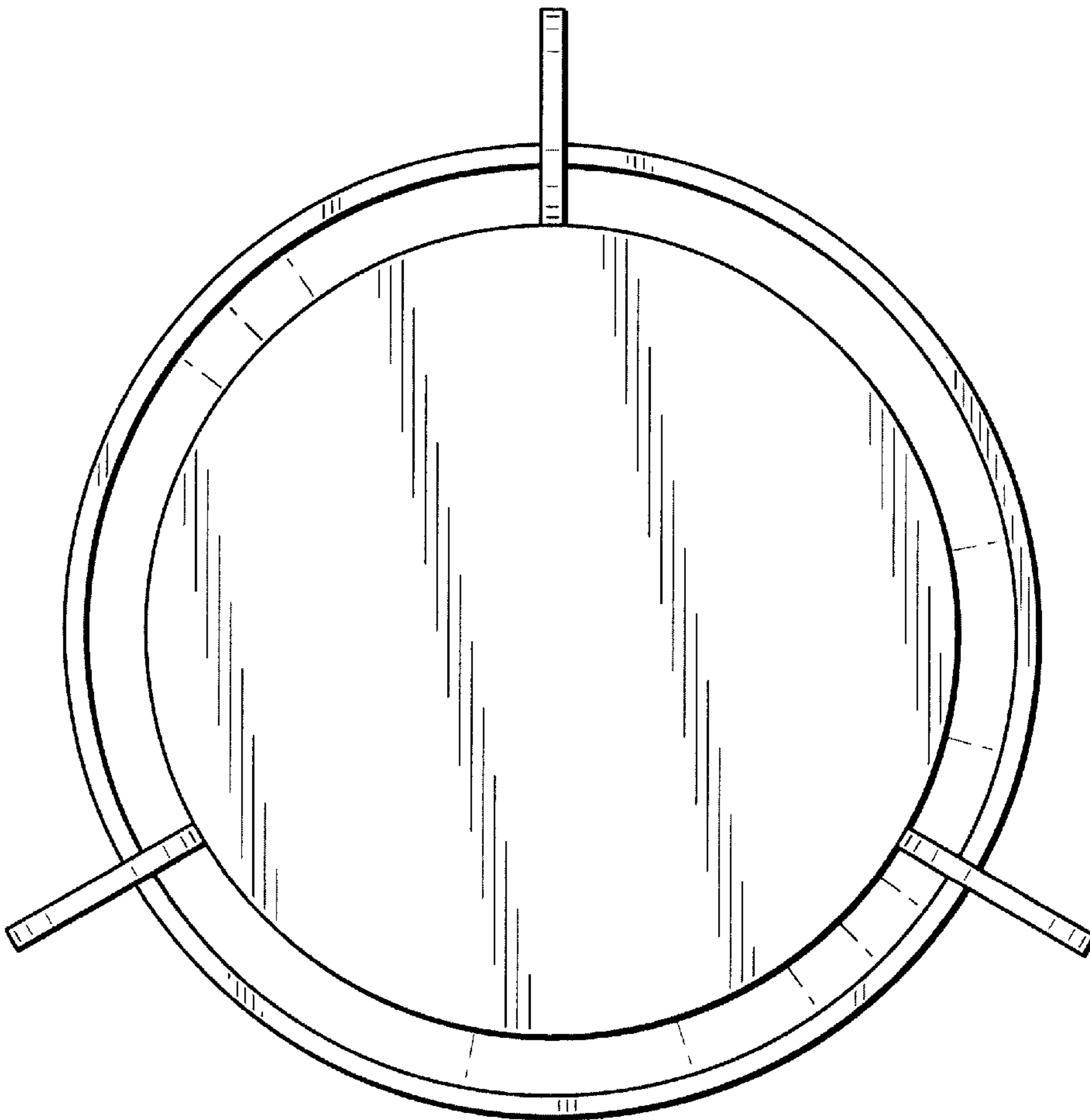


FIG. 6



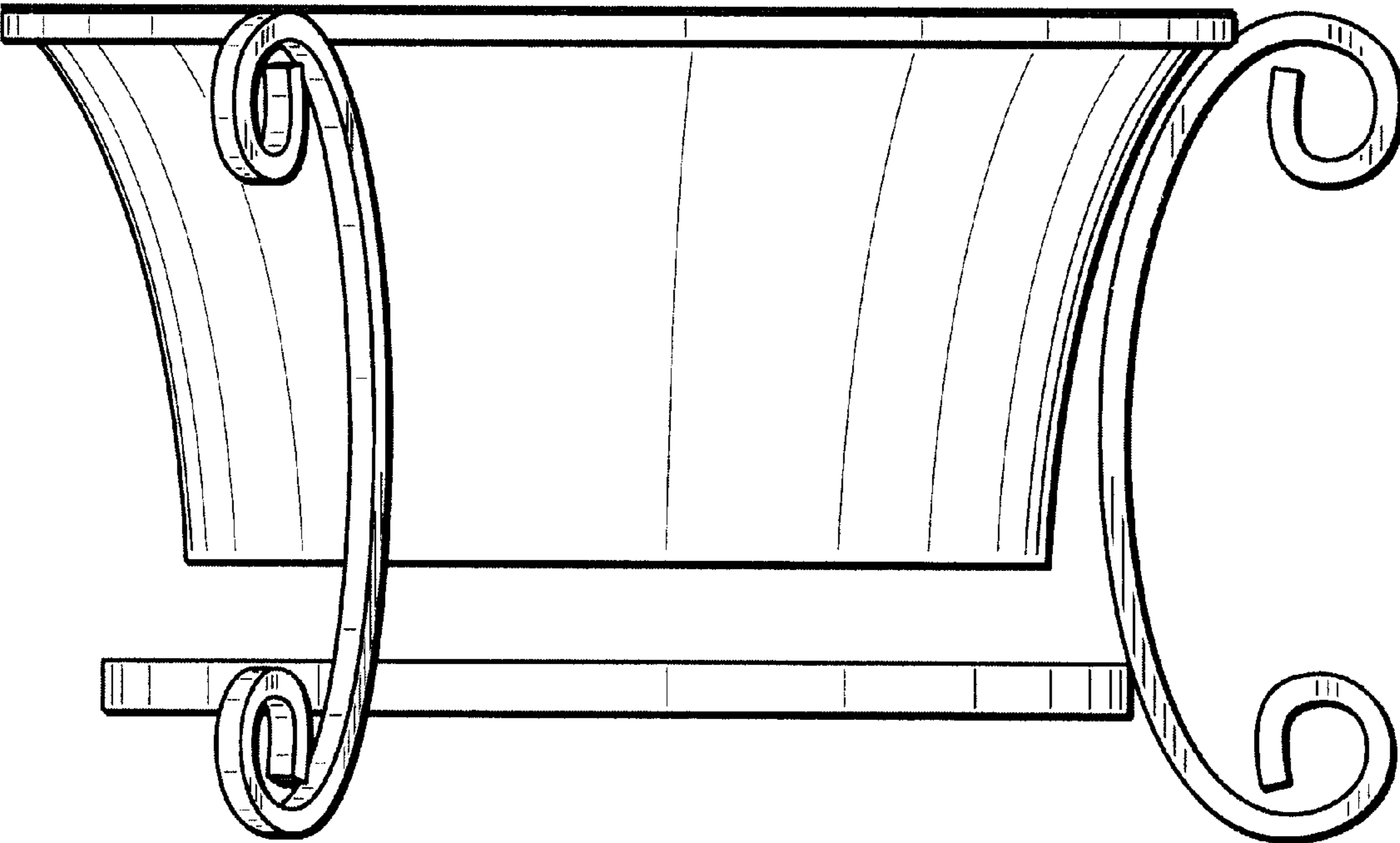


FIG. 4