



US00D542053S

(12) **United States Design Patent** (10) **Patent No.:** **US D542,053 S**
Ingram (45) **Date of Patent:** **** May 8, 2007**

(54) **VACUUM ISLAND FOR CAR WASH INSTALLATIONS**

(75) Inventor: **James Larry Ingram**, Pine Bluff, AR (US)

(73) Assignee: **Fragramatics Manufacturing Co., Inc.**, Pine Bluff, AK (US)

(**) Term: **14 Years**

(21) Appl. No.: **29/208,875**

(22) Filed: **Jul. 8, 2004**

(51) **LOC (8) Cl.** **06-99**

(52) **U.S. Cl.** **D6/398; D15/199**

(58) **Field of Classification Search** D6/398, D6/396; D32/17, 18, 21, 1, 23; 15/301, 312.1, 15/312.2, 314, 315, 322, 320-321, 339, 353, 15/352, 327; D15/9.1, 9.2
See application file for complete search history.

(56) **References Cited**

U.S. PATENT DOCUMENTS

D86,713 S	*	4/1932	Gott	D15/9.1
D130,817 S	*	12/1941	Kuenle	D15/9.2
D144,669 S	*	5/1946	Adams	D15/9.2
D156,269 S	*	11/1949	Peterson	D15/9.2
D168,642 S	*	1/1953	Troik	D15/9.2
D184,259 S	*	1/1959	Leopin	D15/9.2
D194,433 S	*	1/1963	Chaffee	D15/9.2
3,199,727 A	*	8/1965	Romanowski	222/20
D207,602 S	*	5/1967	Freed	D15/9.2
D246,810 S	*	12/1977	Genova	D21/795
D253,932 S	*	1/1980	Mockler	D34/5
D272,630 S	*	2/1984	Koppens	D15/9.2
D281,427 S	*	11/1985	Baffo et al.	D15/9.2
D298,538 S	*	11/1988	Baffo et al.	D15/9.2
D325,660 S	*	4/1992	Rapaz	D34/10
D349,350 S	*	8/1994	Goldberg	D25/56
D351,698 S	*	10/1994	Brussing	D34/1
D394,269 S	*	5/1998	Alvern et al.	D15/9.2
D463,084 S	*	9/2002	Forest	D34/1

* cited by examiner

Primary Examiner—Janice Seeger
Assistant Examiner—Zenia I. Bennett
(74) *Attorney, Agent, or Firm*—Stephen D. Carver

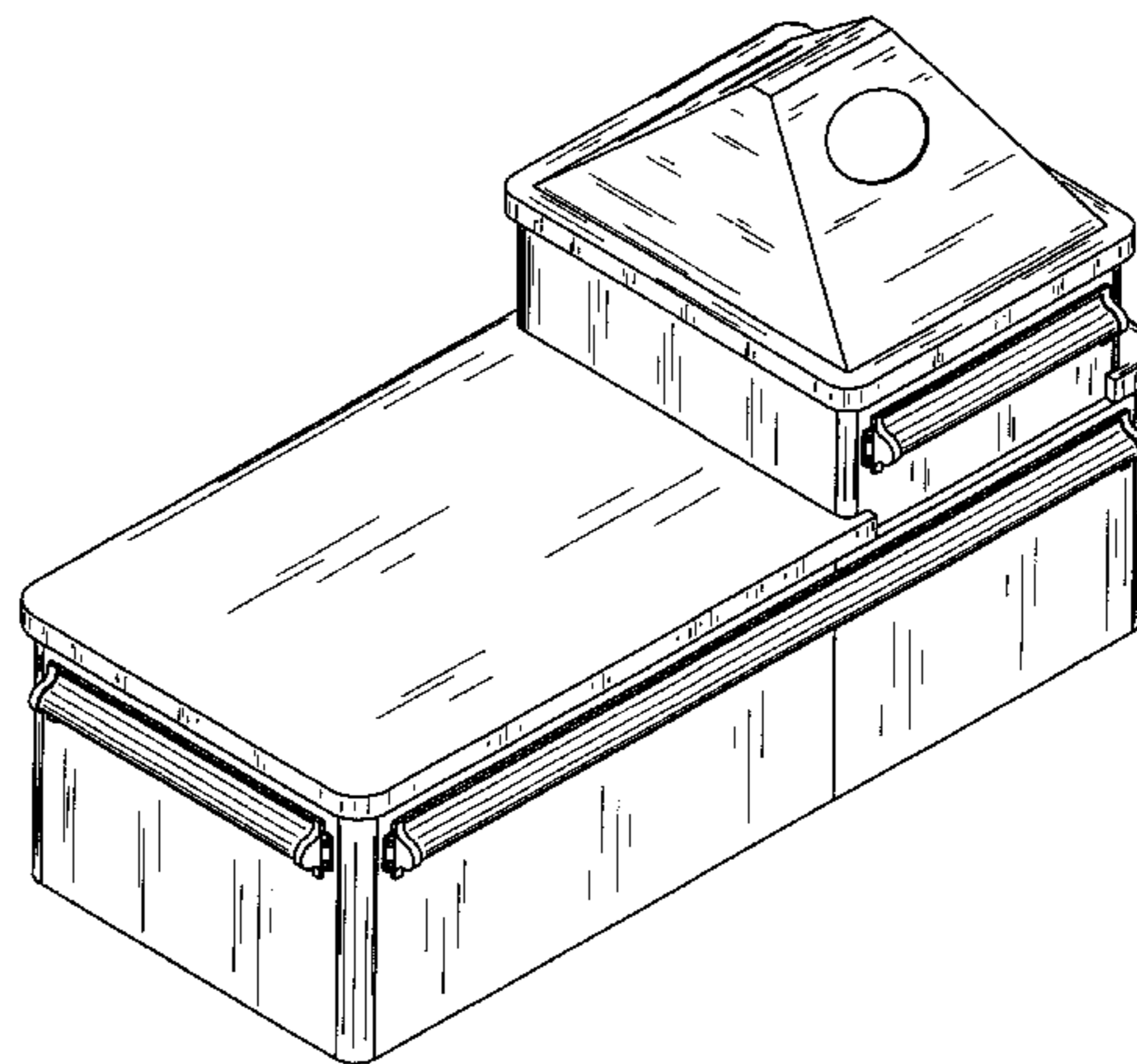
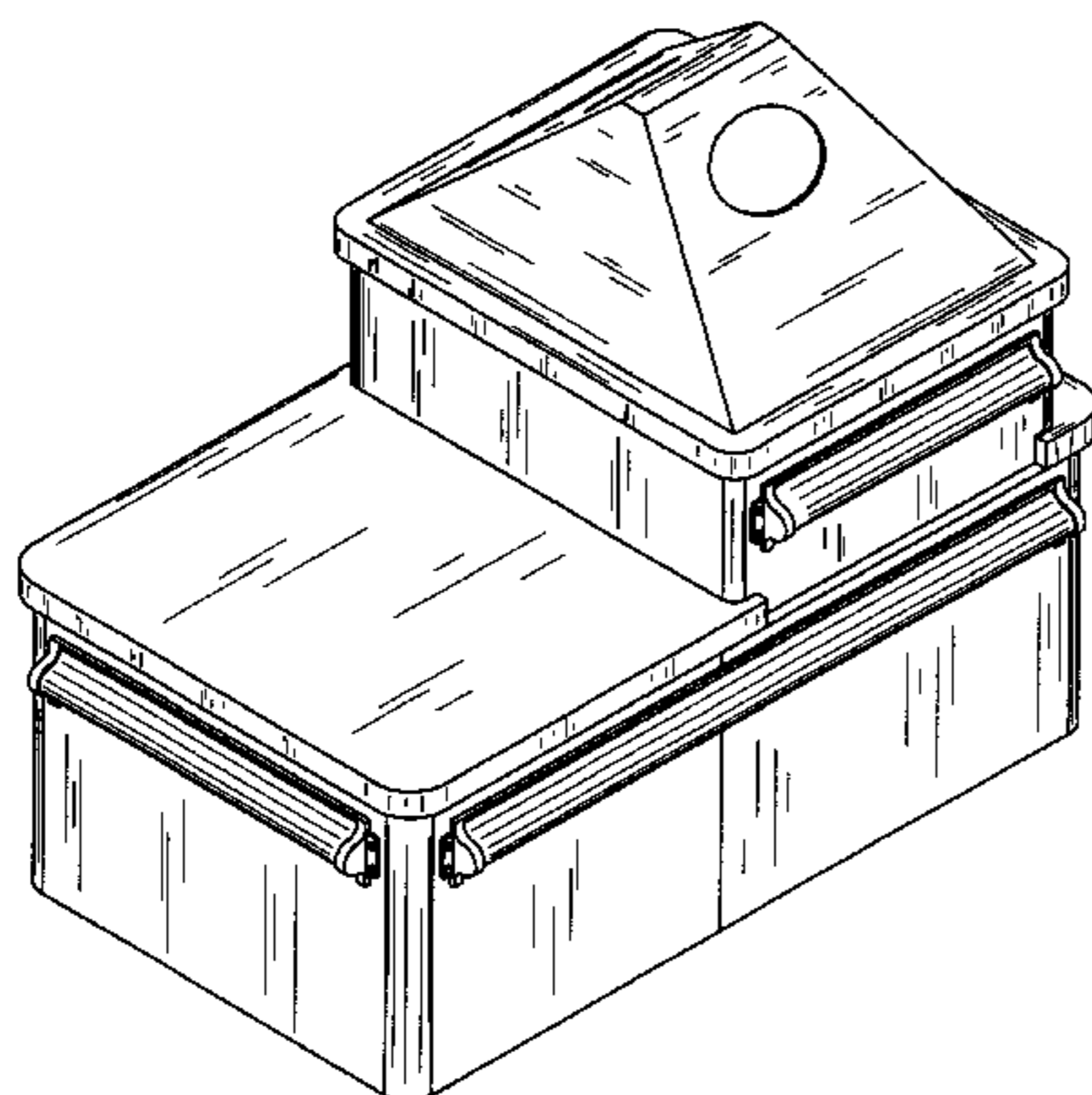
(57) **CLAIM**

The ornamental design for a vacuum island for car wash installations, as shown and described.

DESCRIPTION

FIG. 1 is a frontal isometric view of a preferred embodiment of my invention;
 FIG. 2 is a rear isometric view of the first embodiment;
 FIG. 3 is a top plan view of the first embodiment;
 FIG. 4 is a front elevational view of the first embodiment, the rear view comprising a mirror image thereof;
 FIG. 5 is a left end elevational view of the first embodiment, the right end comprising substantially a mirror image thereof;
 FIG. 6 is a bottom plan view of the first embodiment thereof;
 FIG. 7 is a frontal isometric view of a second embodiment of my invention;
 FIG. 8 is a rear isometric view of the second embodiment;
 FIG. 9 is a top plan view of the second embodiment;
 FIG. 10 is a front elevational view of the second embodiment, the rear view comprising a mirror image thereof;
 FIG. 11 is a left end elevational view of the second embodiment, the right end comprising substantially a mirror image thereof;
 FIG. 12 is a bottom plan view of the second embodiment thereof;
 FIG. 13 is a frontal isometric view of the third embodiment of my invention;
 FIG. 14 is a rear isometric view of the third embodiment;
 FIG. 15 is a top plan view of the third embodiment;
 FIG. 16 is a front elevational view of the third embodiment, the rear view comprising a mirror image thereof;
 FIG. 17 is a left end elevational view of the third embodiment, the right end comprising substantially a mirror image thereof; and,
 FIG. 18 is a bottom plan view of the third embodiment thereof.

1 Claim, 9 Drawing Sheets



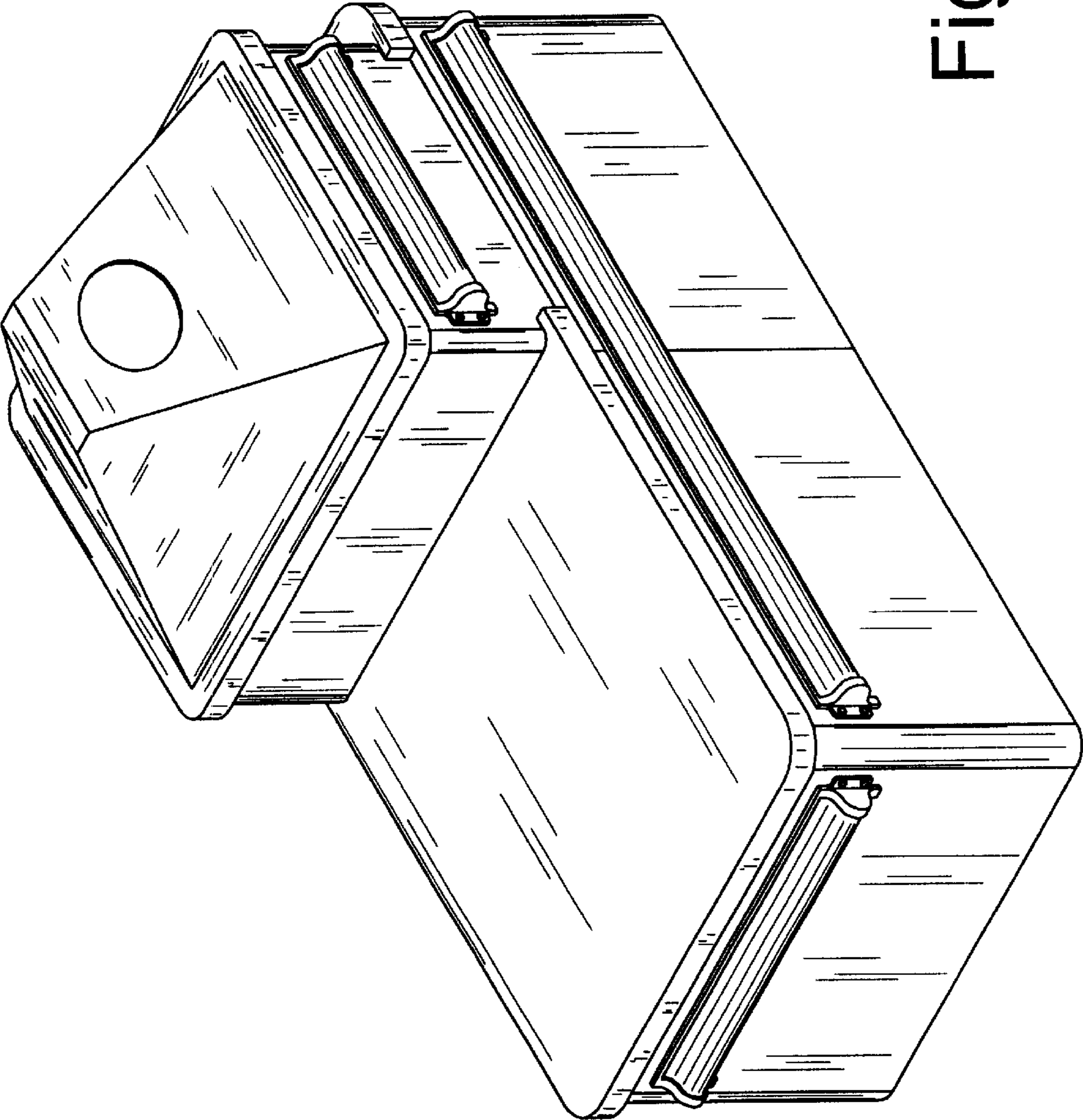


Fig. 1

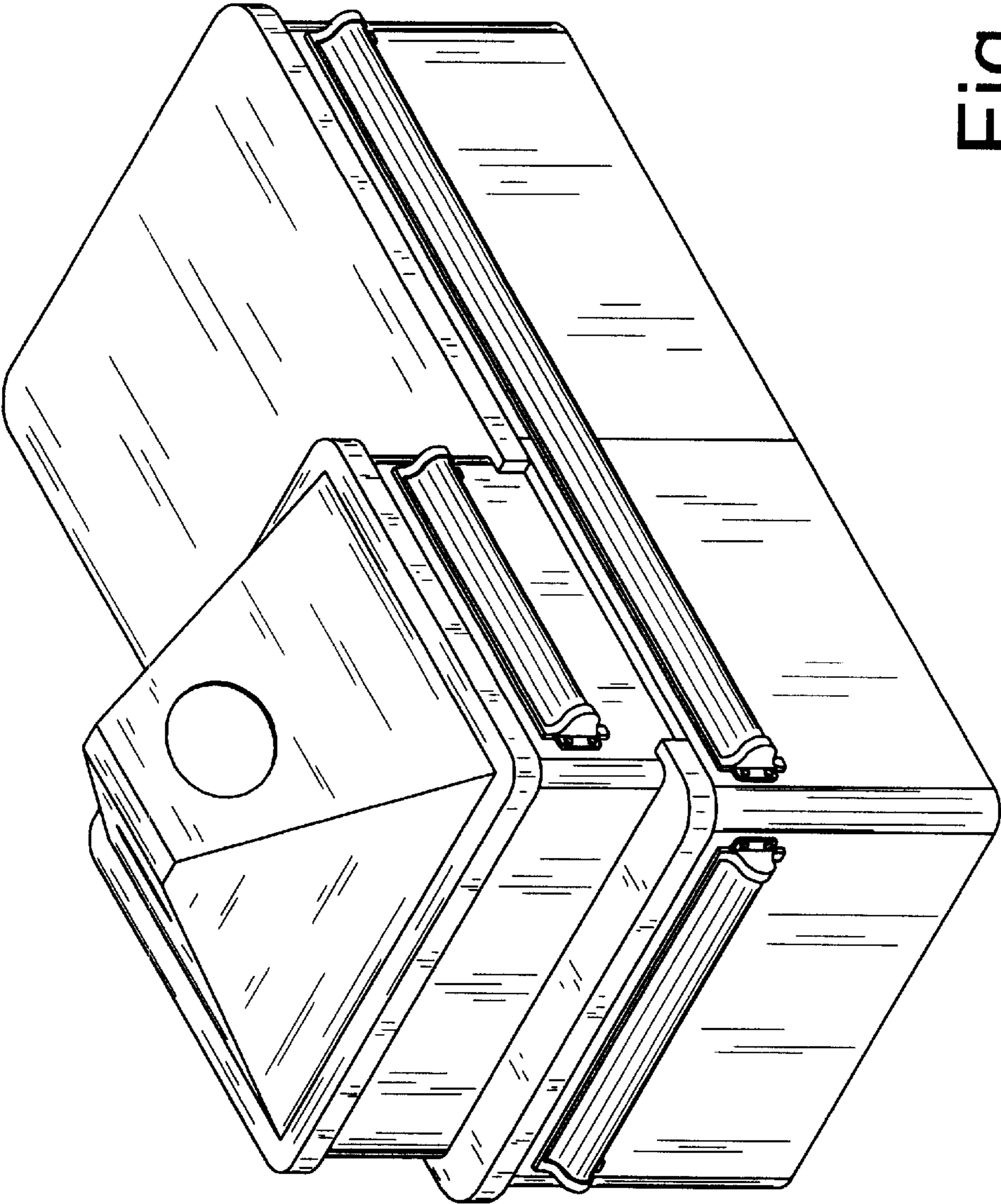


Fig. 2

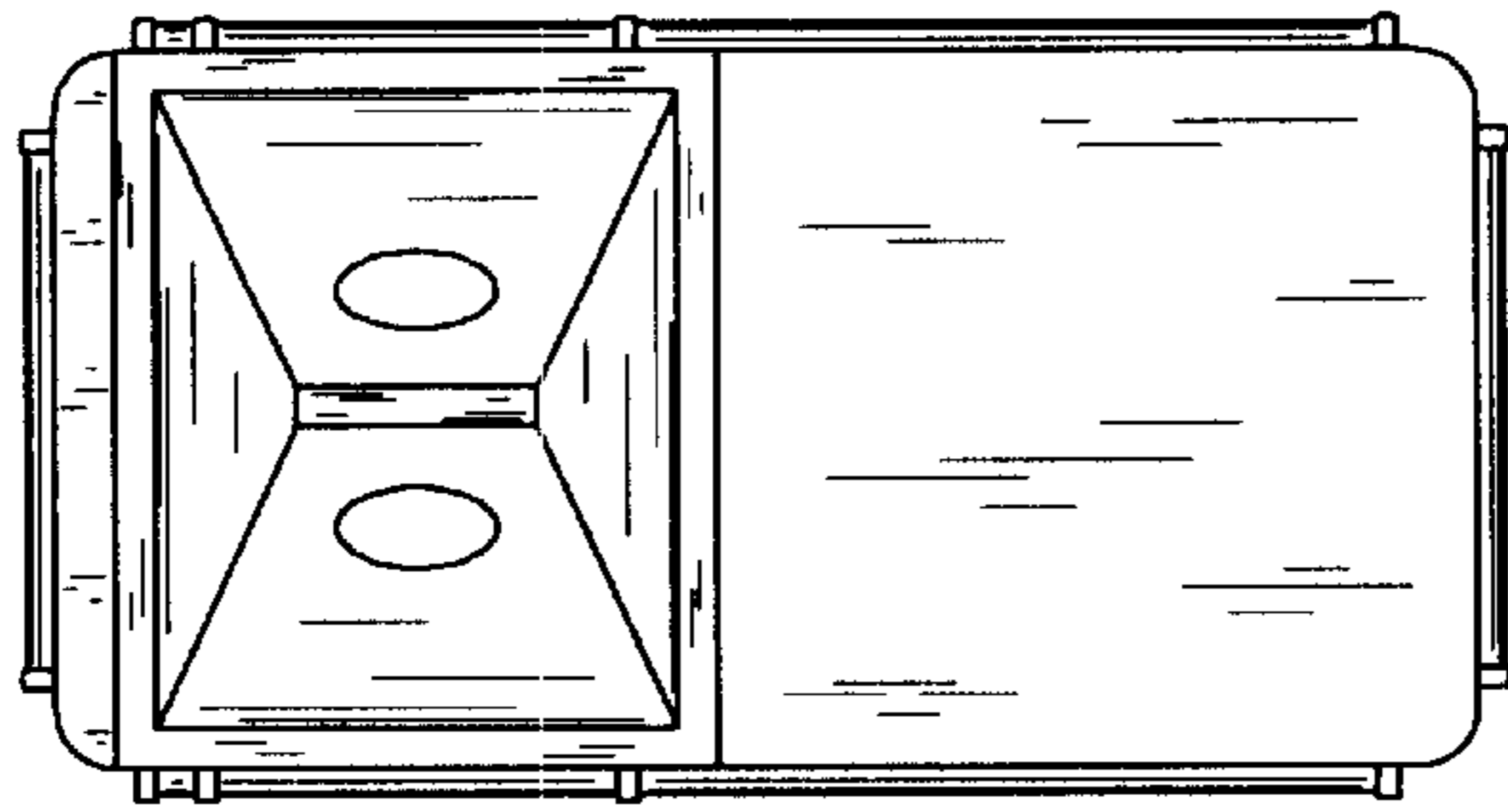


Fig. 3

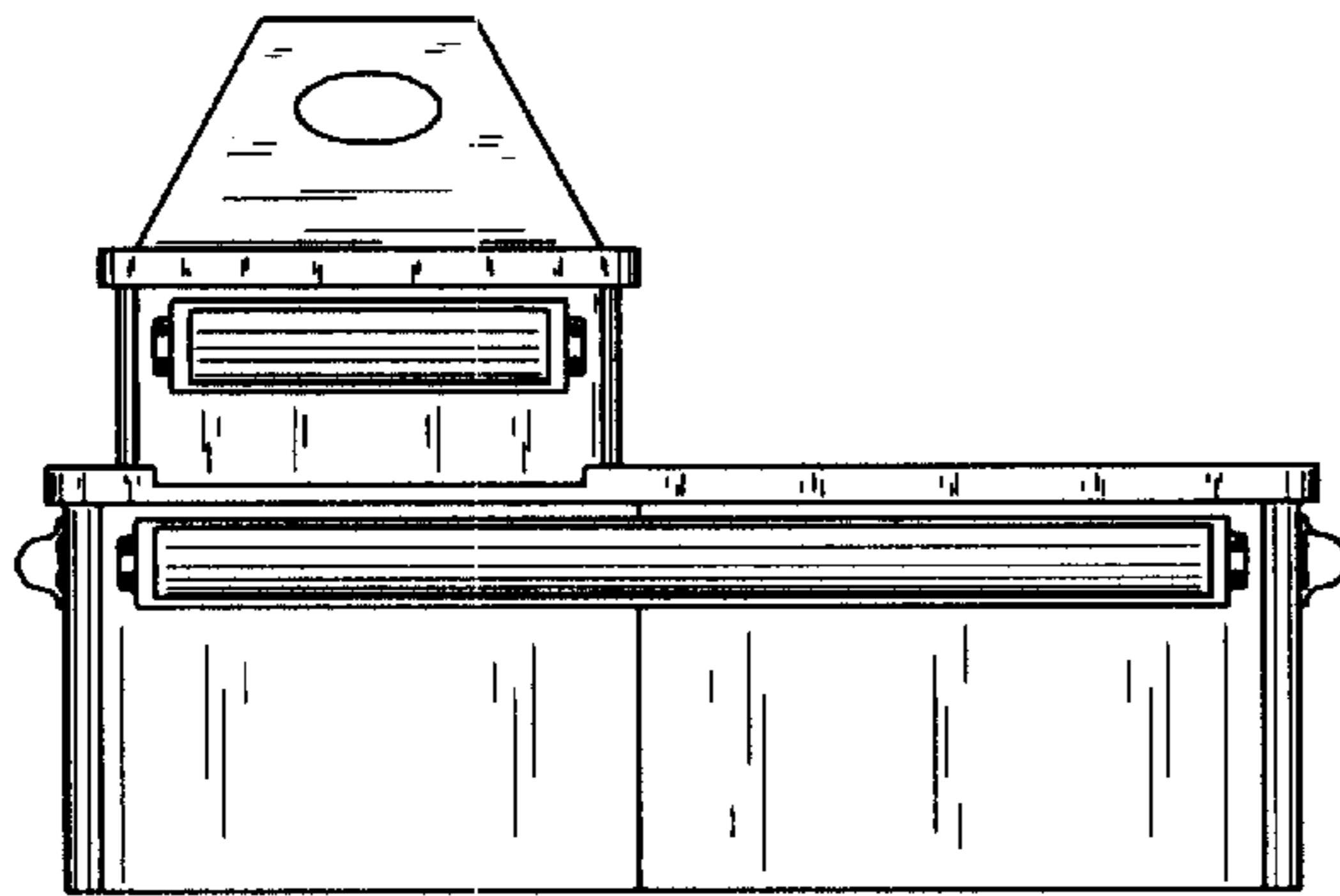


Fig. 4

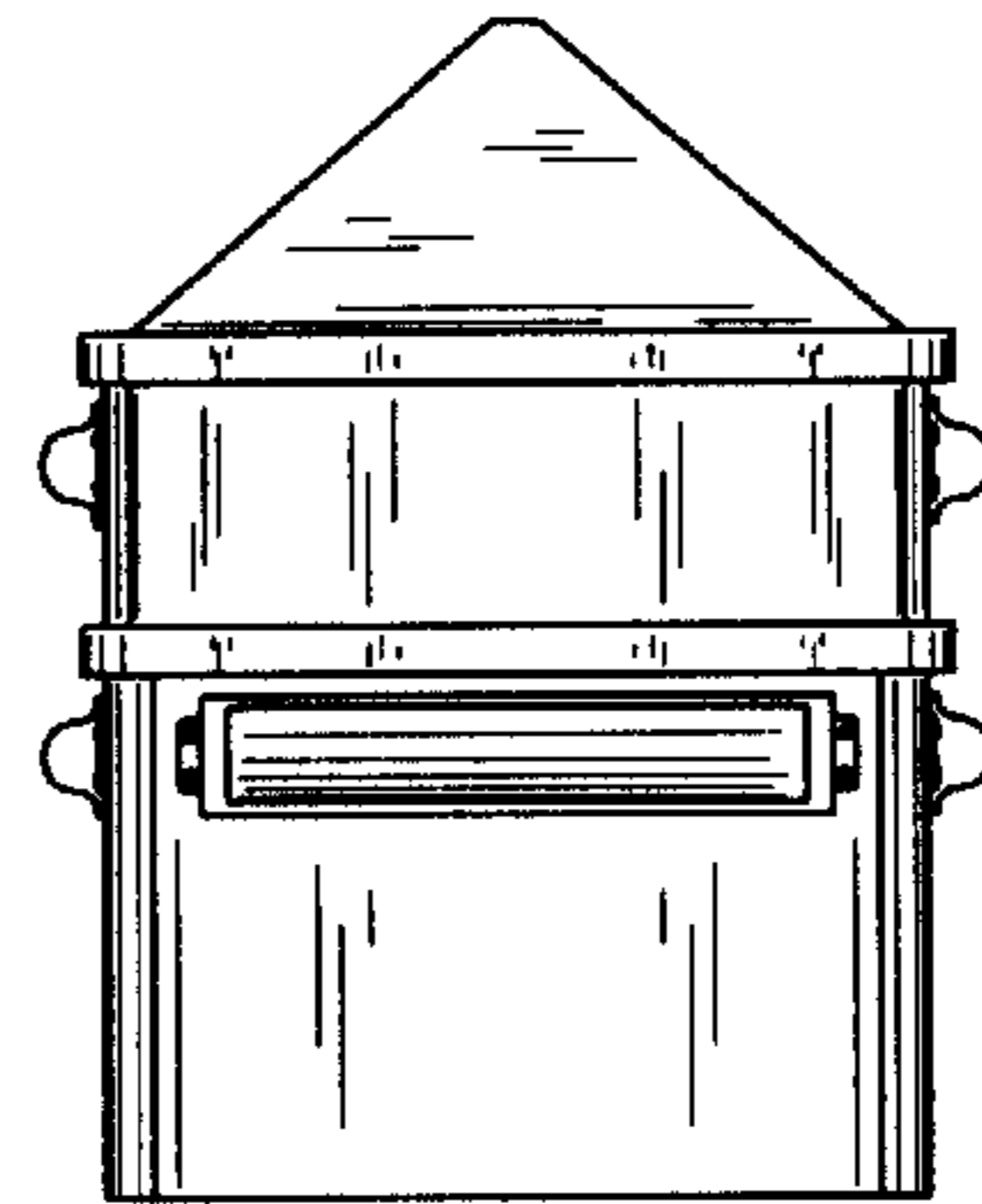


Fig. 5

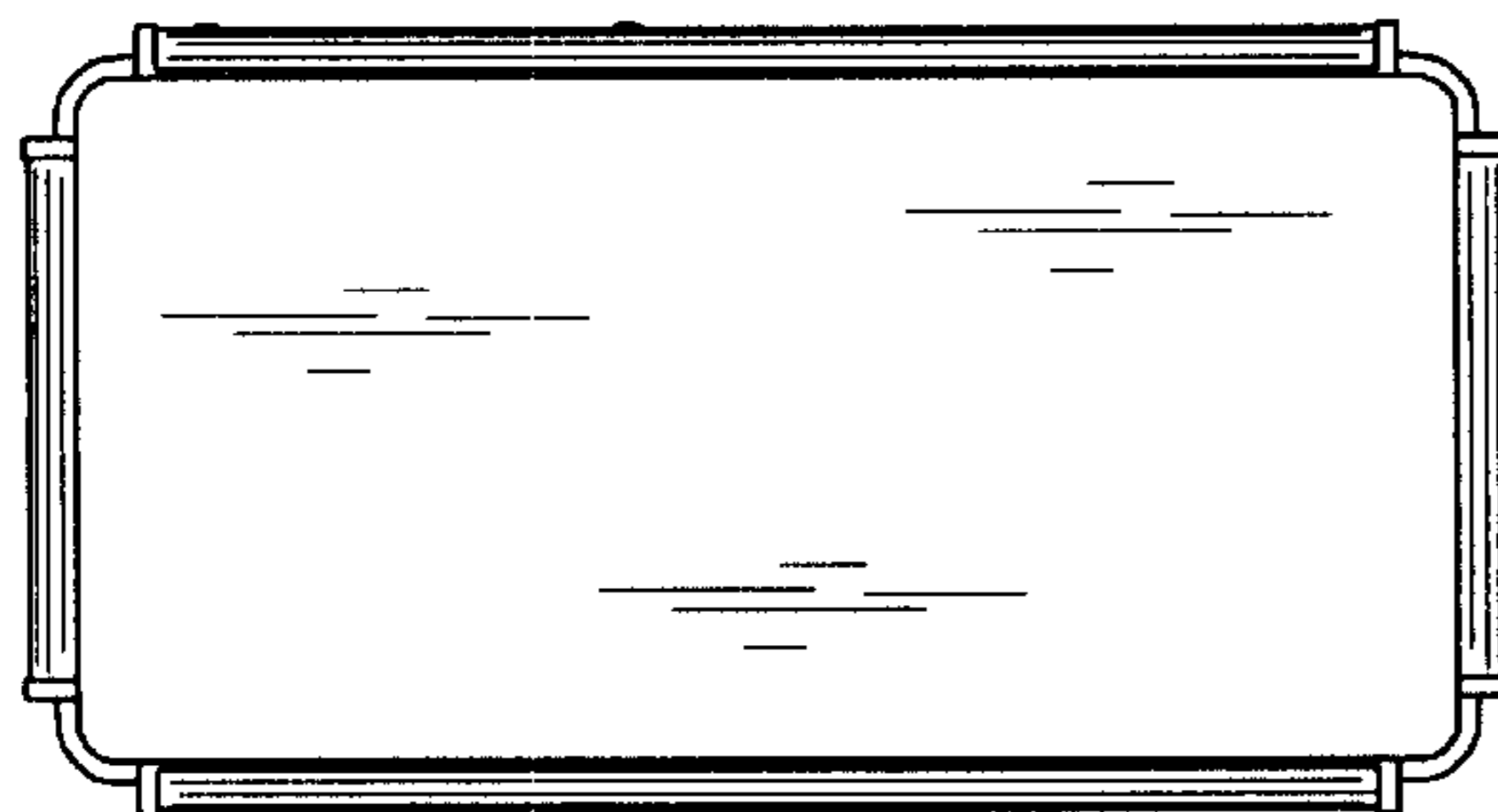


Fig. 6

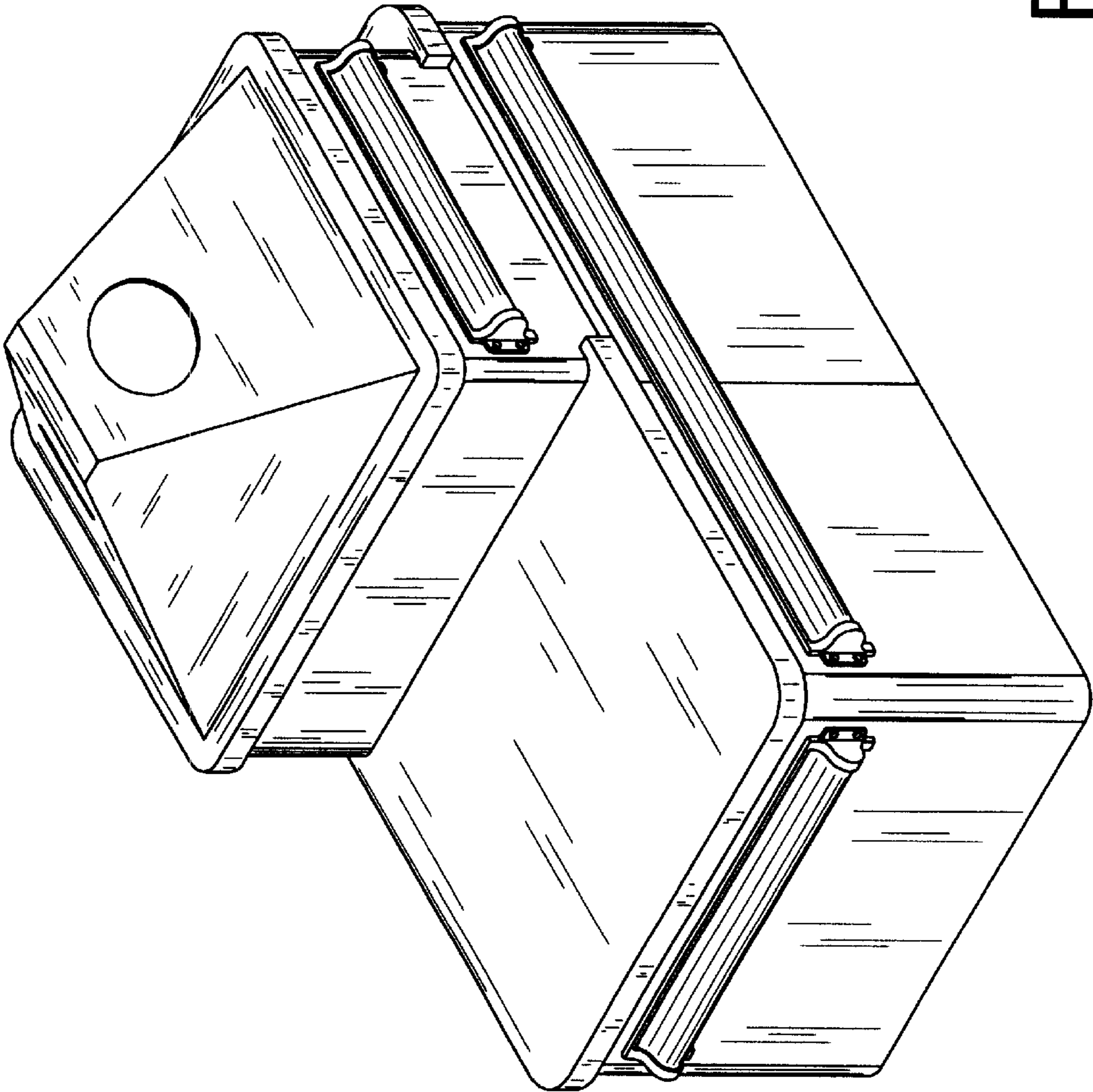


Fig. 7

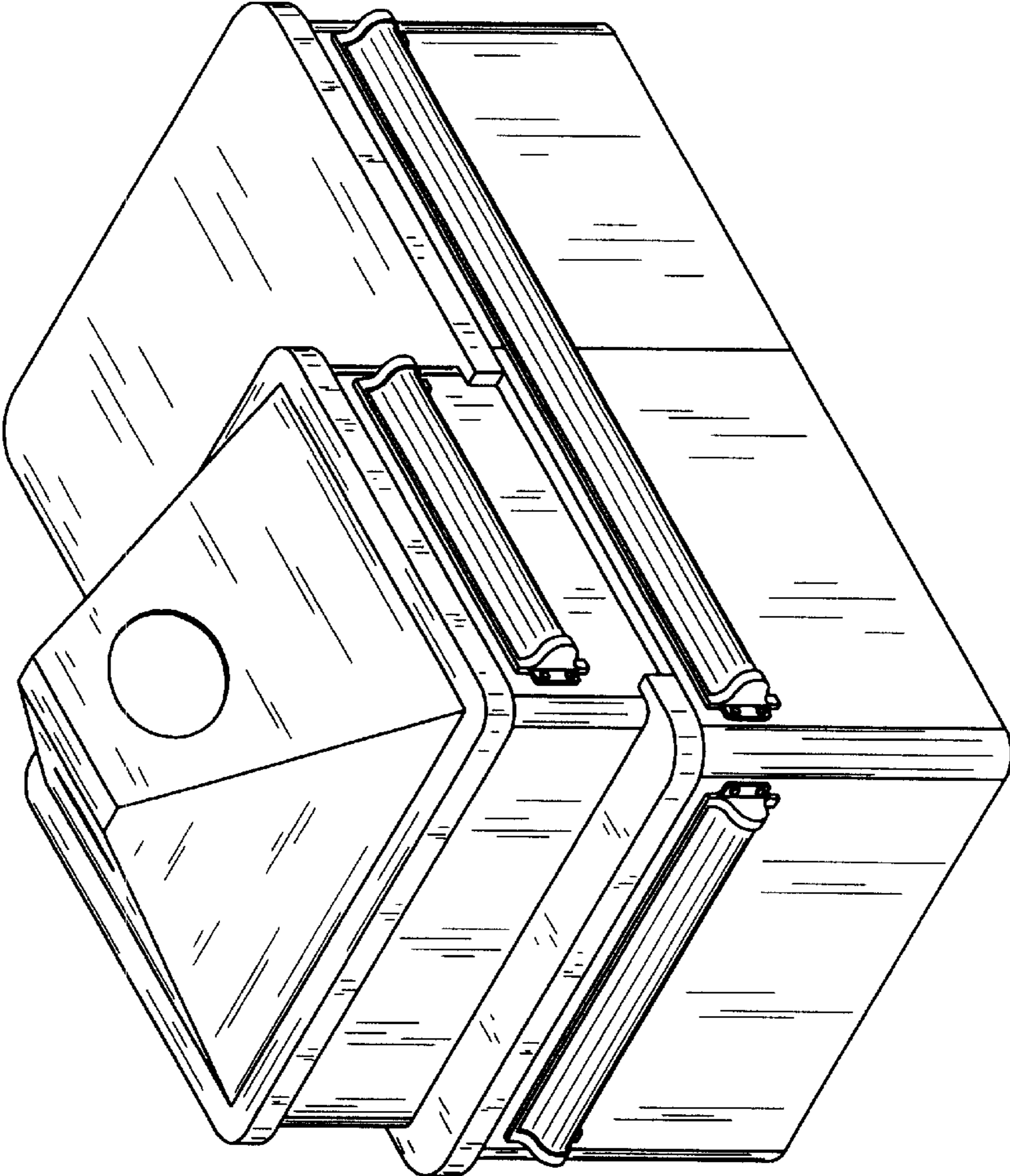


Fig. 8

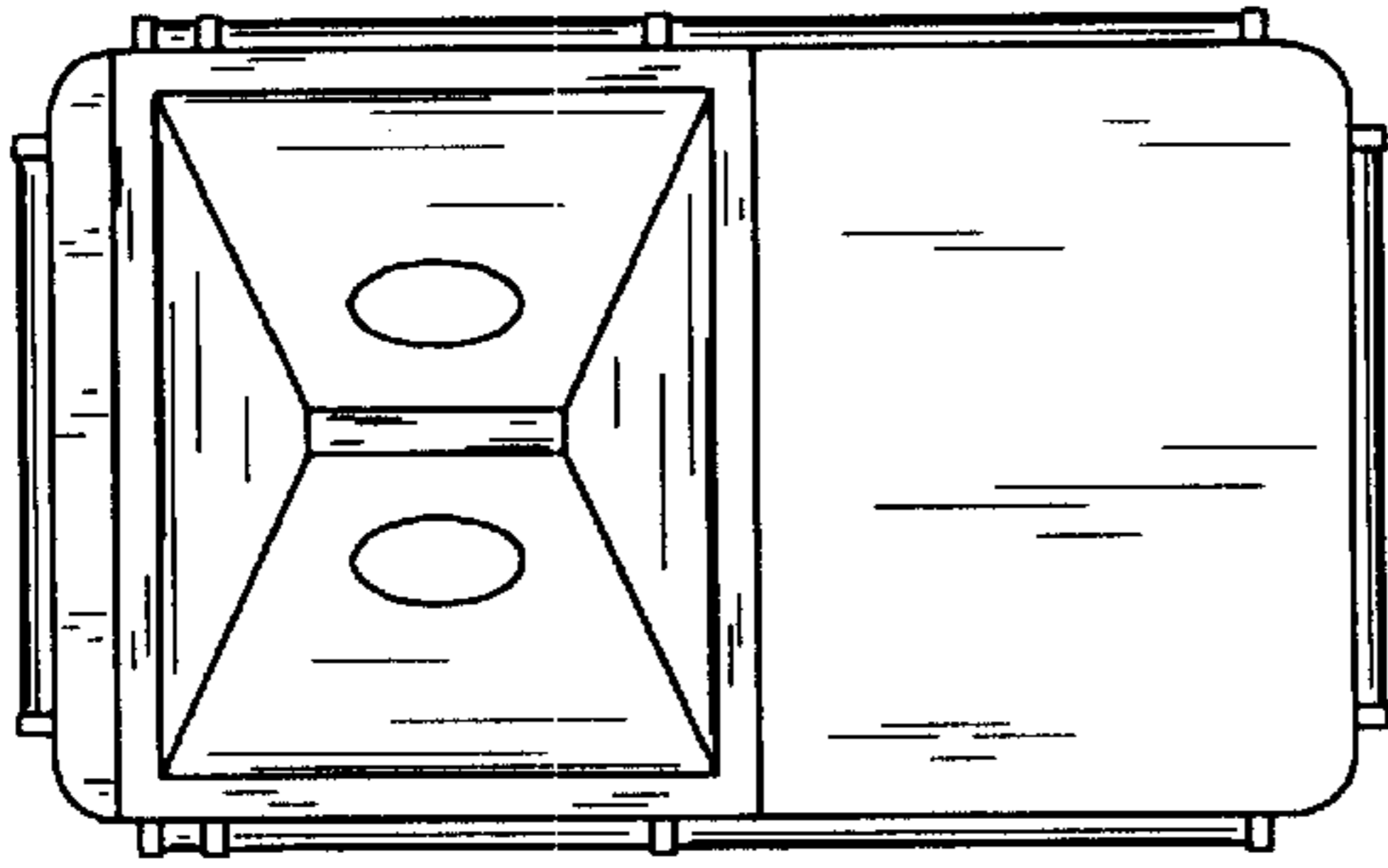


Fig. 9

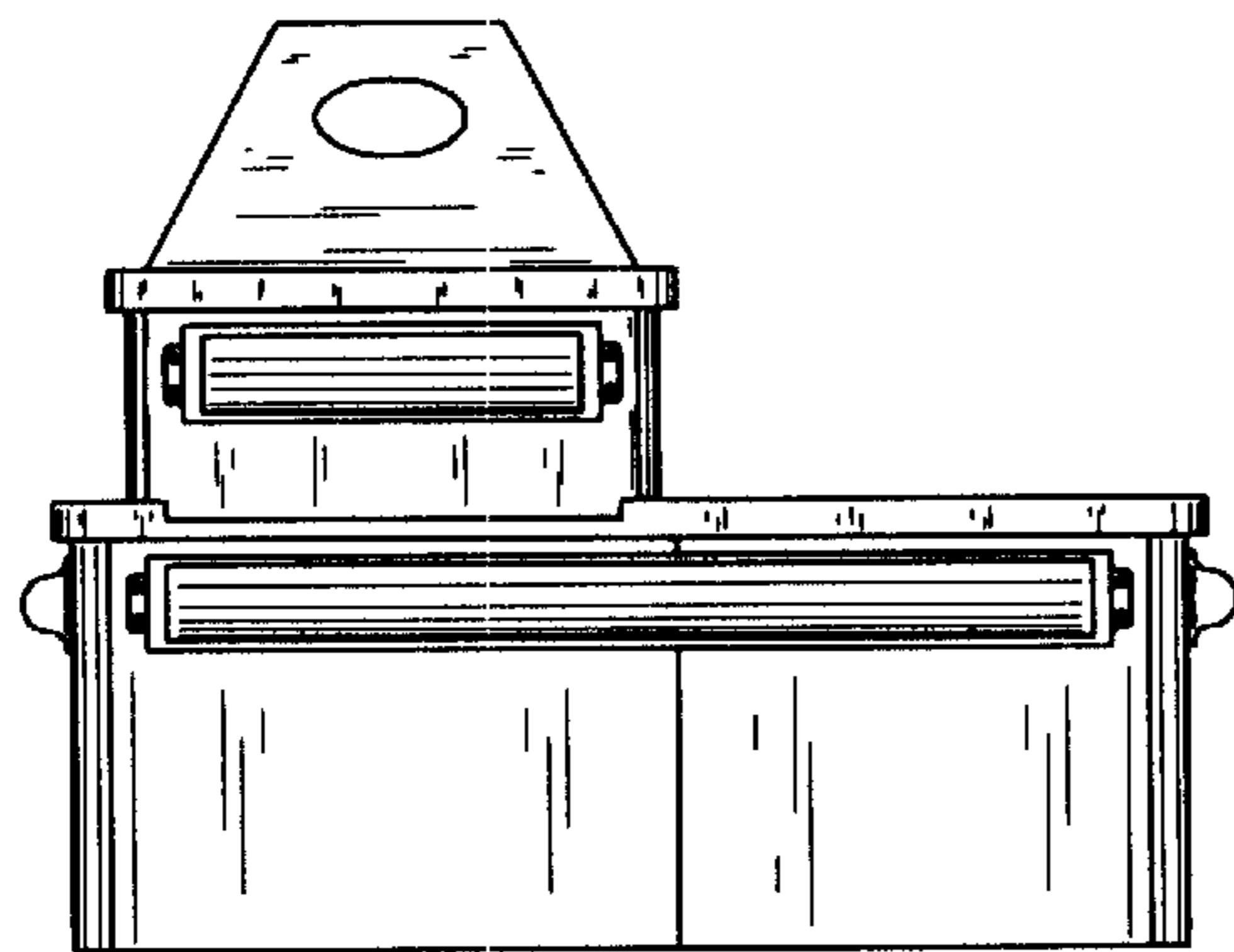


Fig. 10

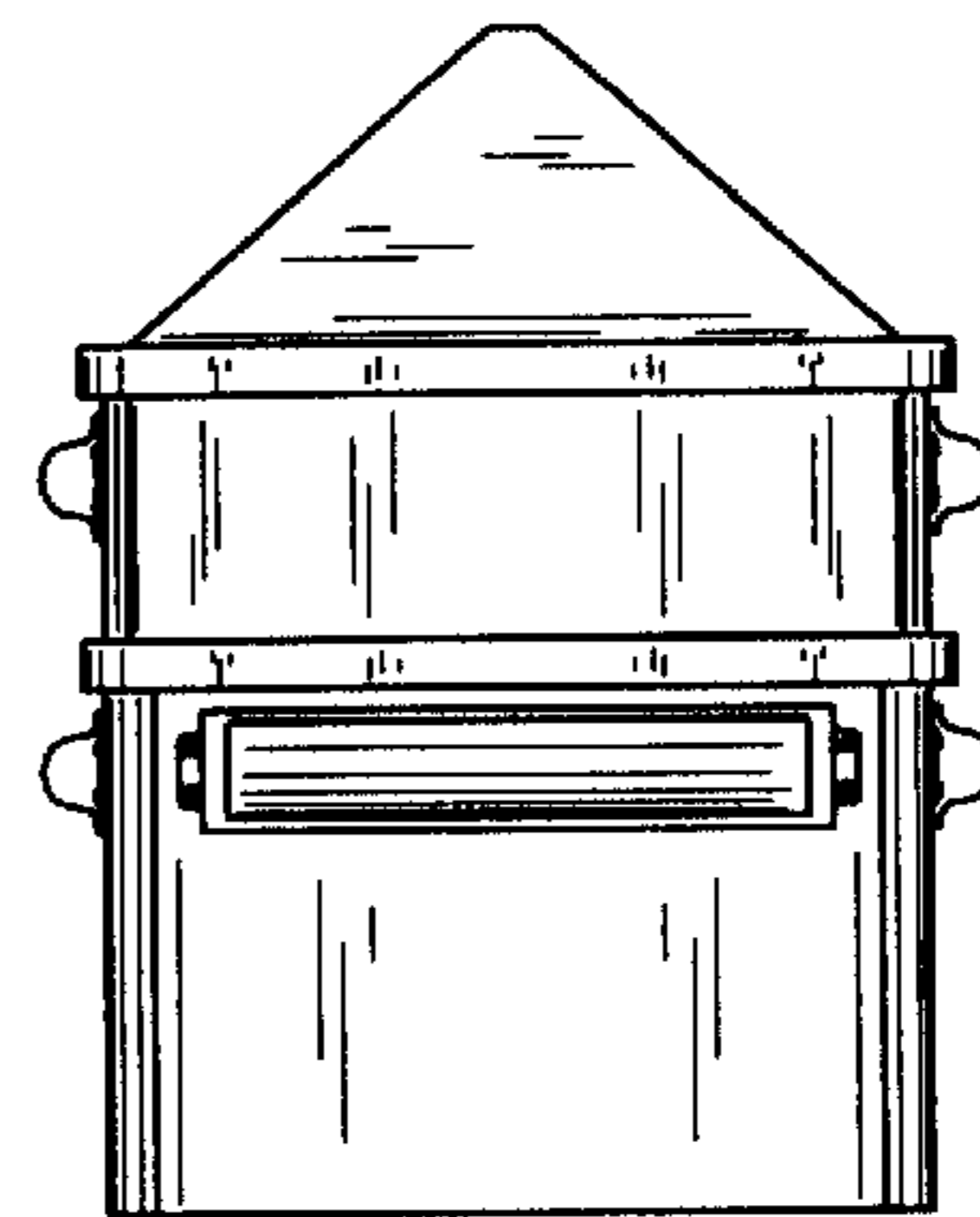


Fig. 11

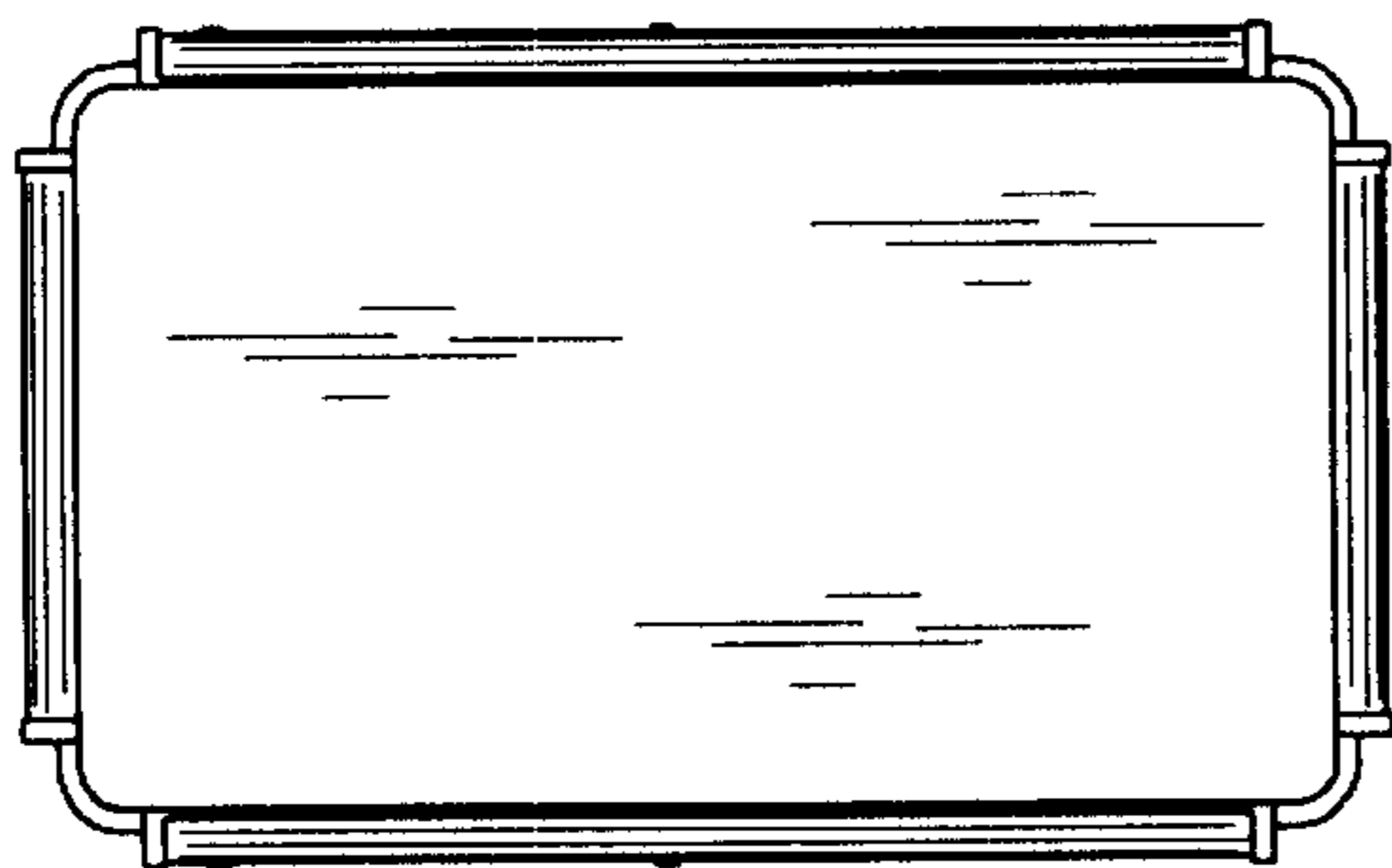


Fig. 12

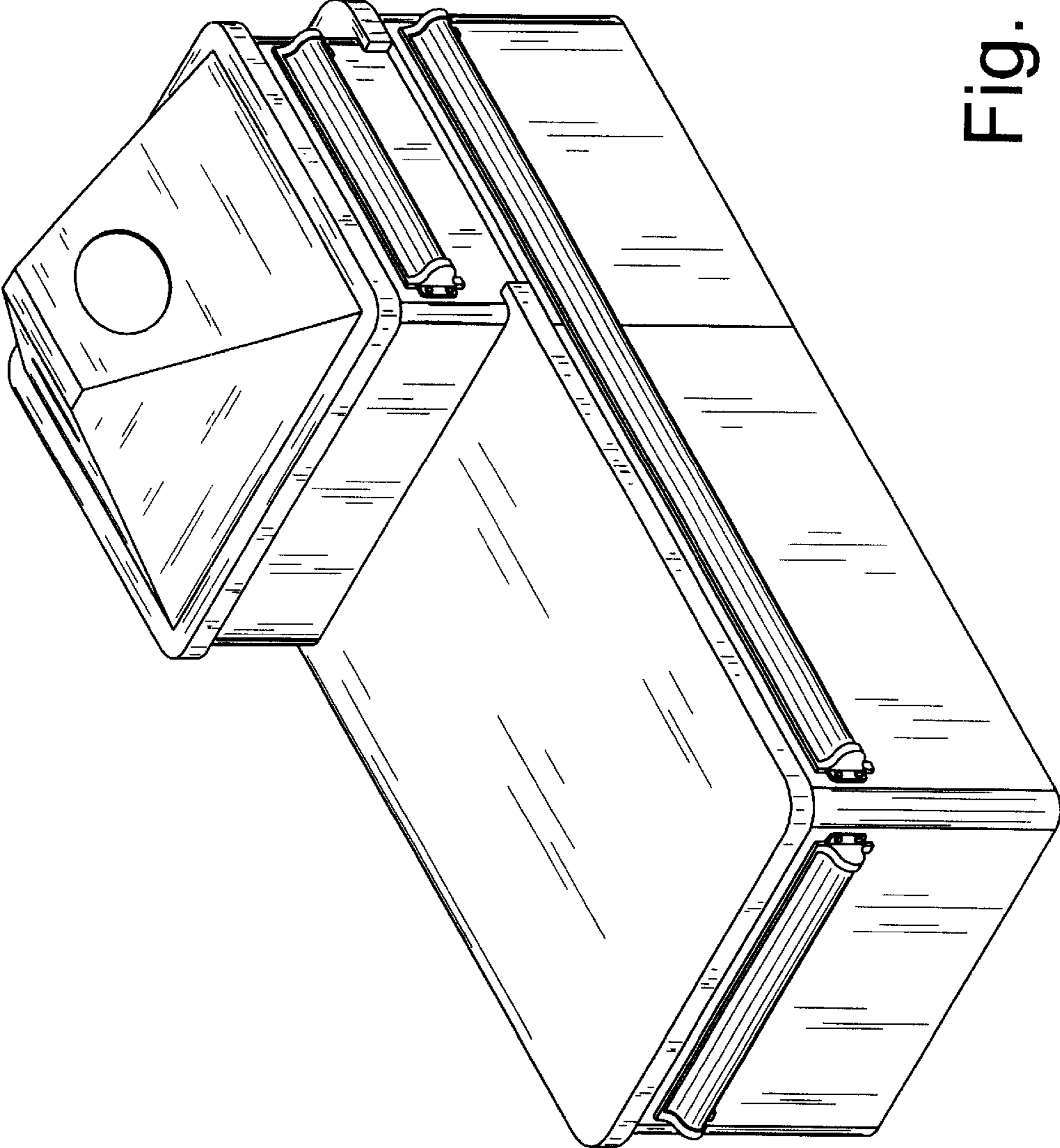


Fig. 13

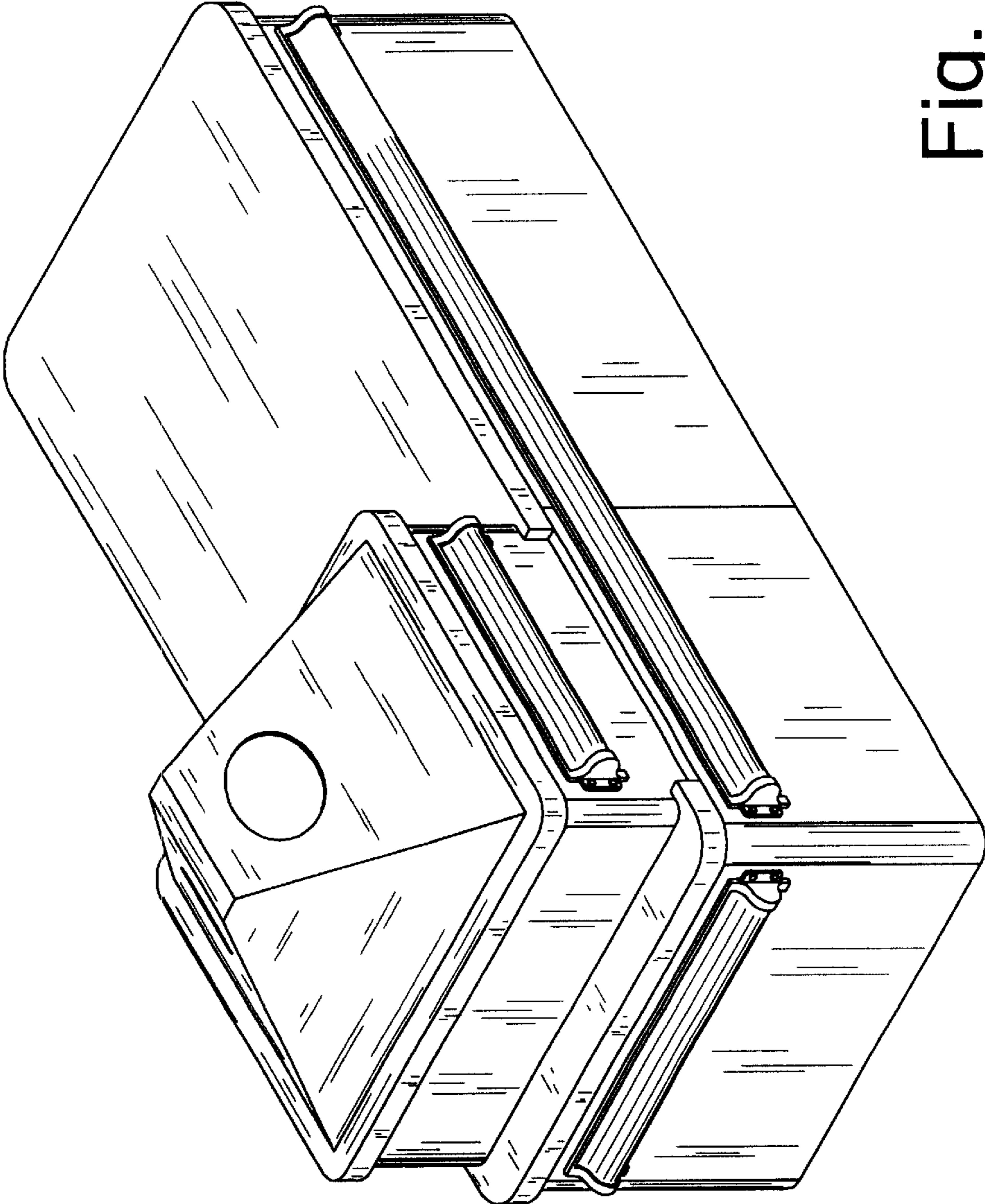


Fig. 14

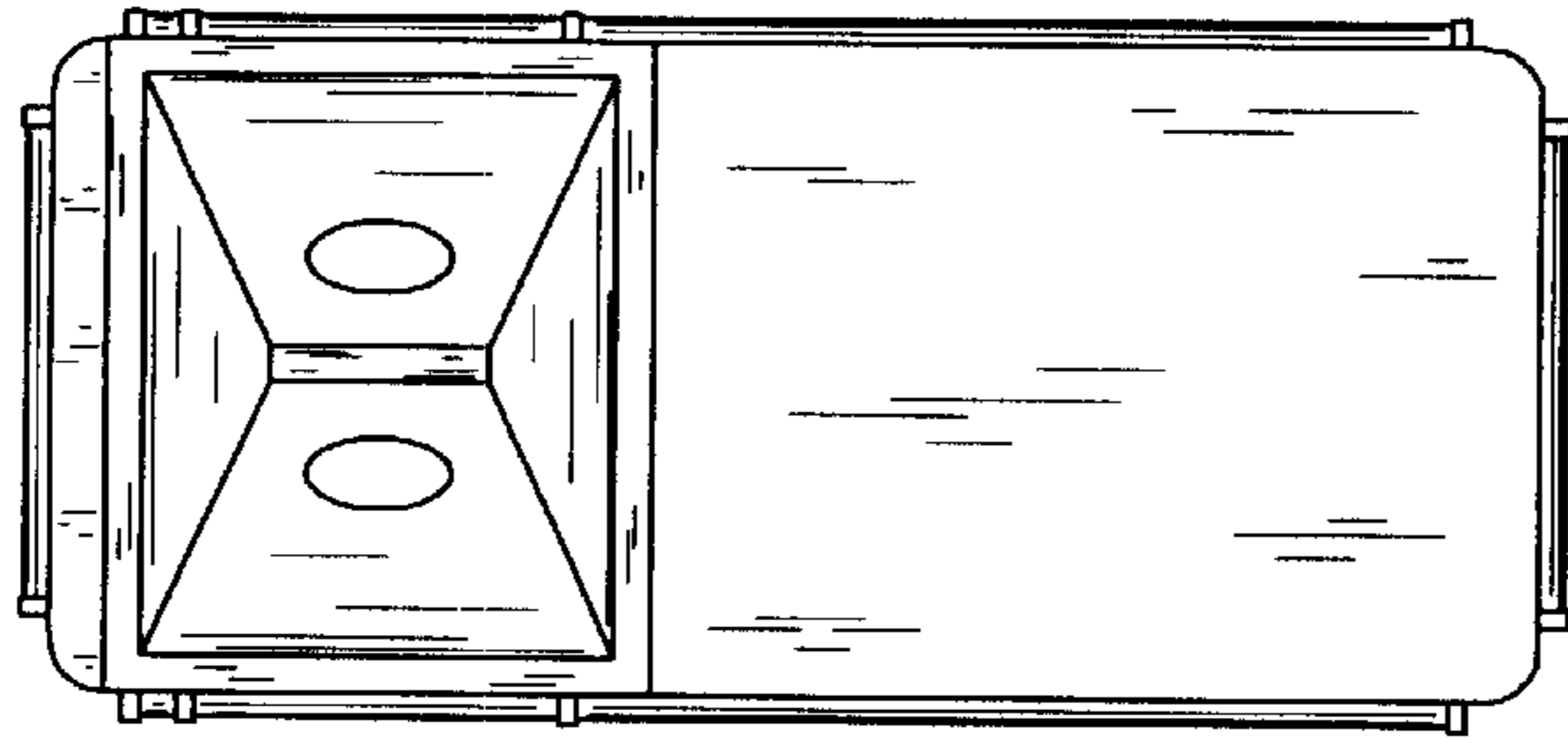


Fig. 15

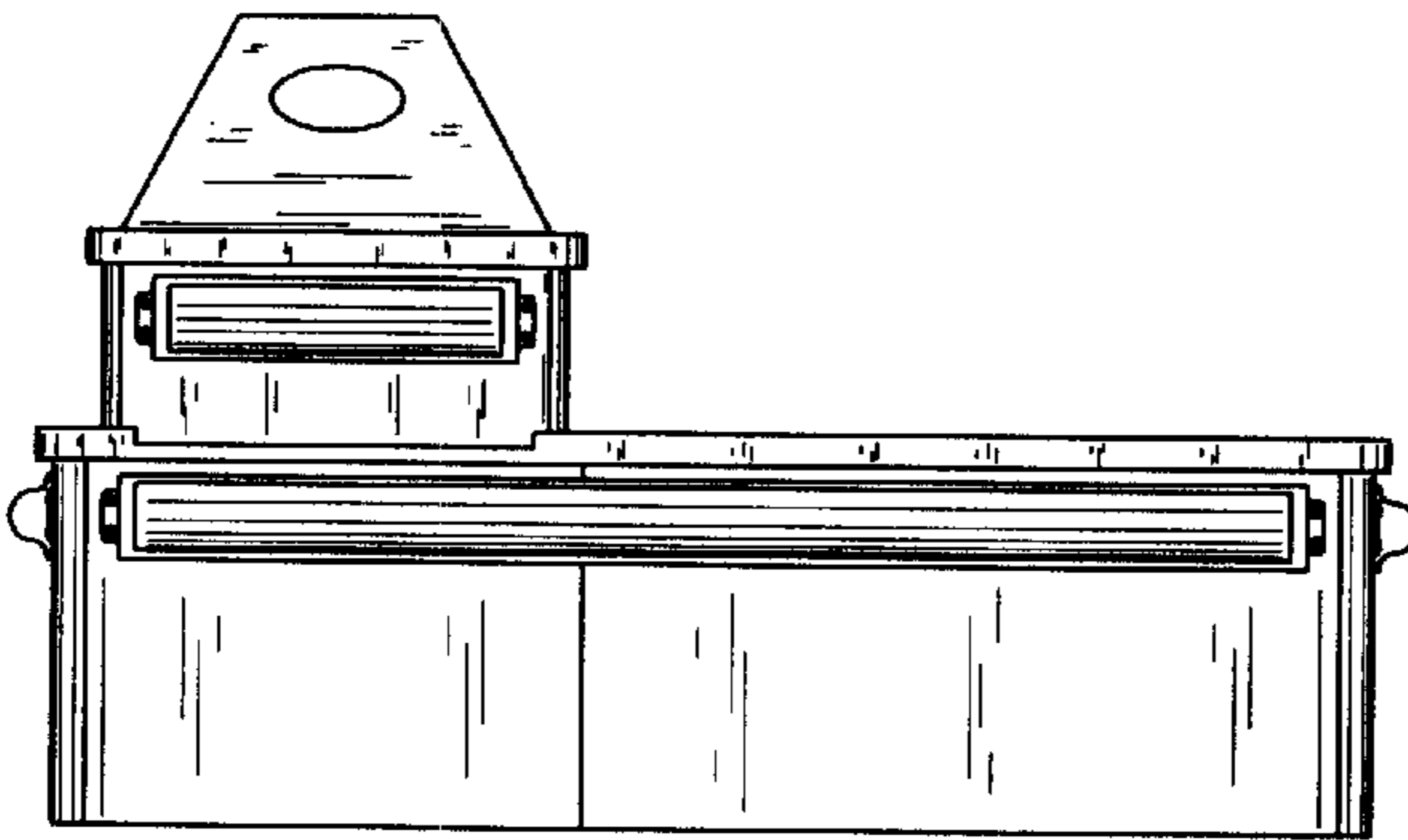


Fig. 16

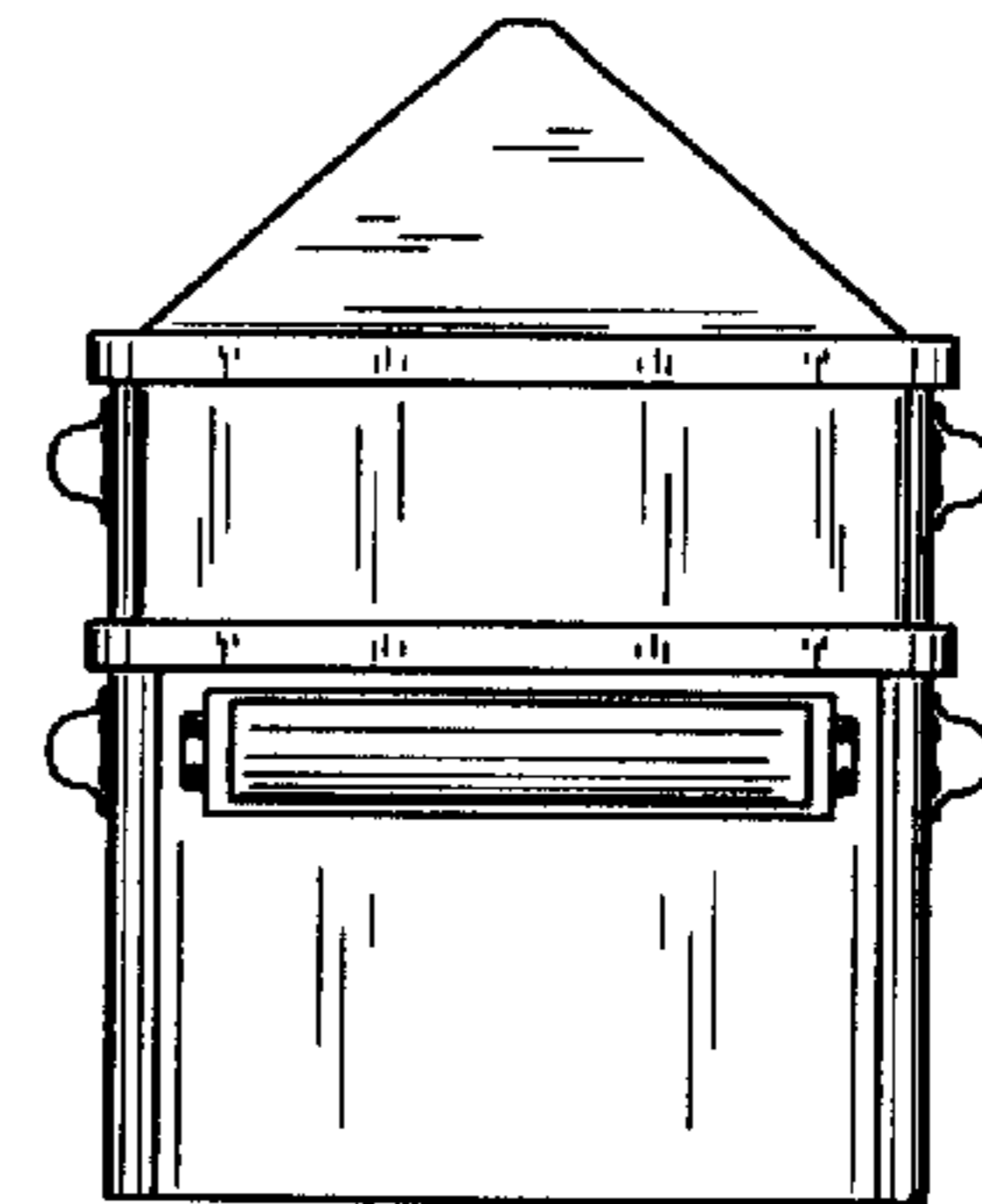


Fig. 17

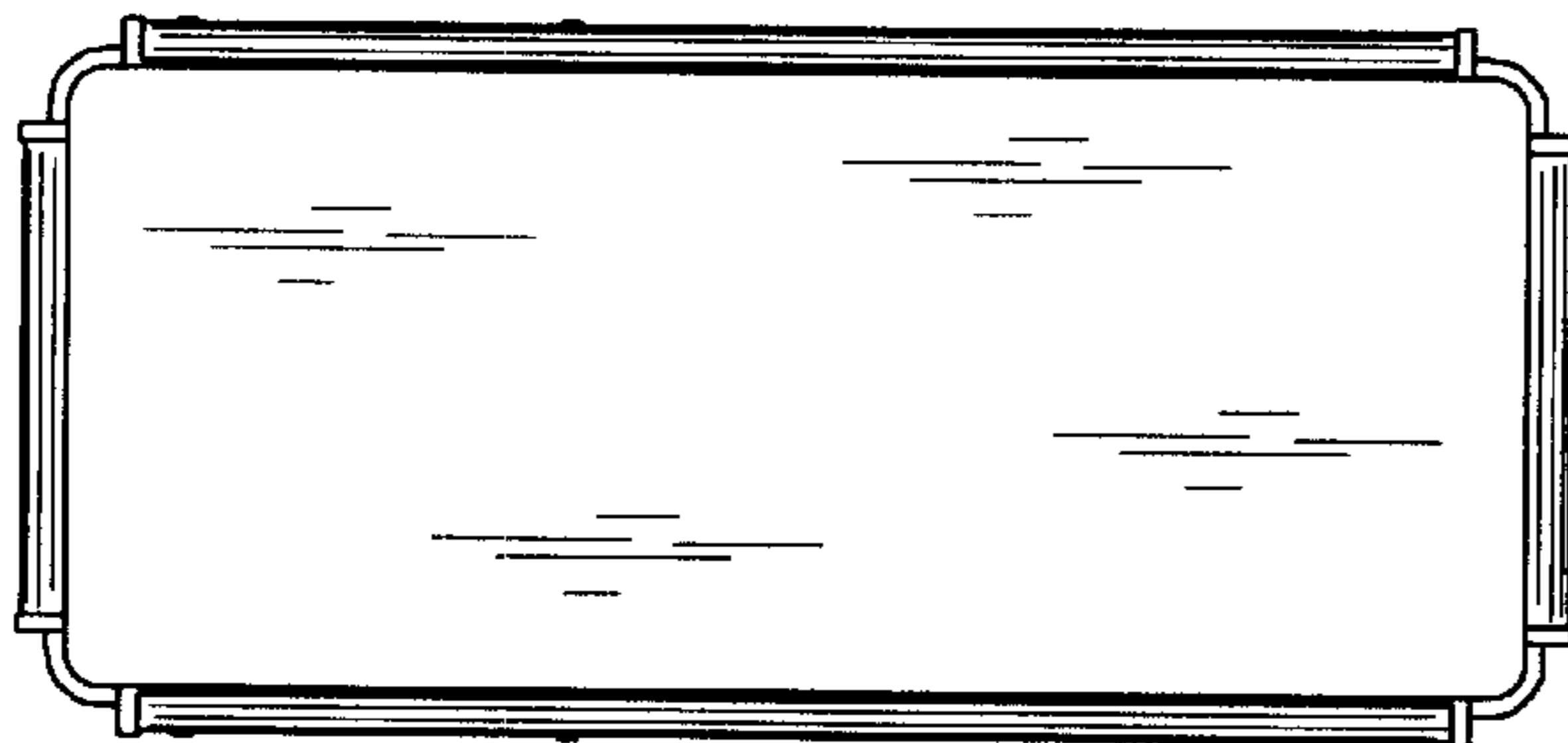


Fig. 18