

US00D542051S

(12) **United States Design Patent**
Boerner et al.

(10) **Patent No.:** **US D542,051 S**

(45) **Date of Patent:** **** May 8, 2007**

(54) **BED**

D450,472 S * 11/2001 Dordoni D6/393
D505,563 S * 5/2005 Hutton D6/393
D512,849 S * 12/2005 Mirchand D6/393

(76) Inventors: **Edward Boerner**, 666 Vermont St., San Francisco, CA (US) 94107; **Katherine Lam**, 816 Alice St., Oakland, CA (US) 94607; **Todd Laby**, 4475 23rd St., #5, San Francisco, CA (US) 94114

* cited by examiner

(**) **Term:** **14 Years**

Primary Examiner—Janice E. Seeger
(74) *Attorney, Agent, or Firm*—Schwartz Law Firm P.C.

(21) **Appl. No.:** **29/241,795**

(22) **Filed:** **Nov. 1, 2005**

(57) **CLAIM**

We claim the ornamental design for a bed, as shown and described.

(51) **LOC (8) Cl.** **06-01**

(52) **U.S. Cl.** **D6/393**

(58) **Field of Classification Search** D6/382,
D6/388, 389, 392–395, 505–508; 5/53.1,
5/279.1, 280, 281, 907

See application file for complete search history.

DESCRIPTION

FIG. 1 is a perspective view of the bed;
FIG. 2 is a left side view thereof, the right side being a mirror image thereof;
FIG. 3 is front view thereof; and,
FIG. 4 is a top view thereof.

(56) **References Cited**

U.S. PATENT DOCUMENTS

3,351,960 A * 11/1967 Burkholer 5/635

1 Claim, 4 Drawing Sheets

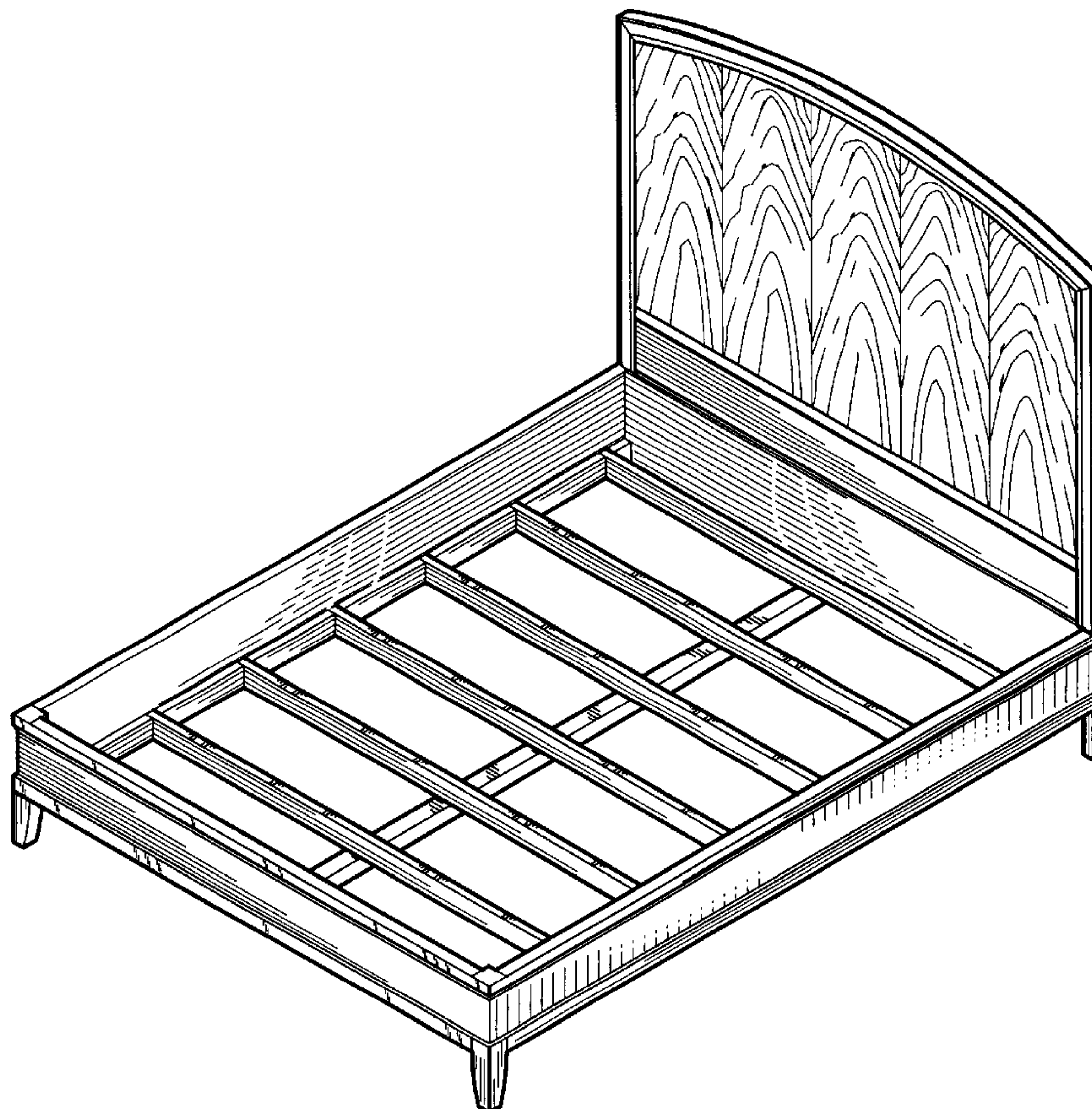
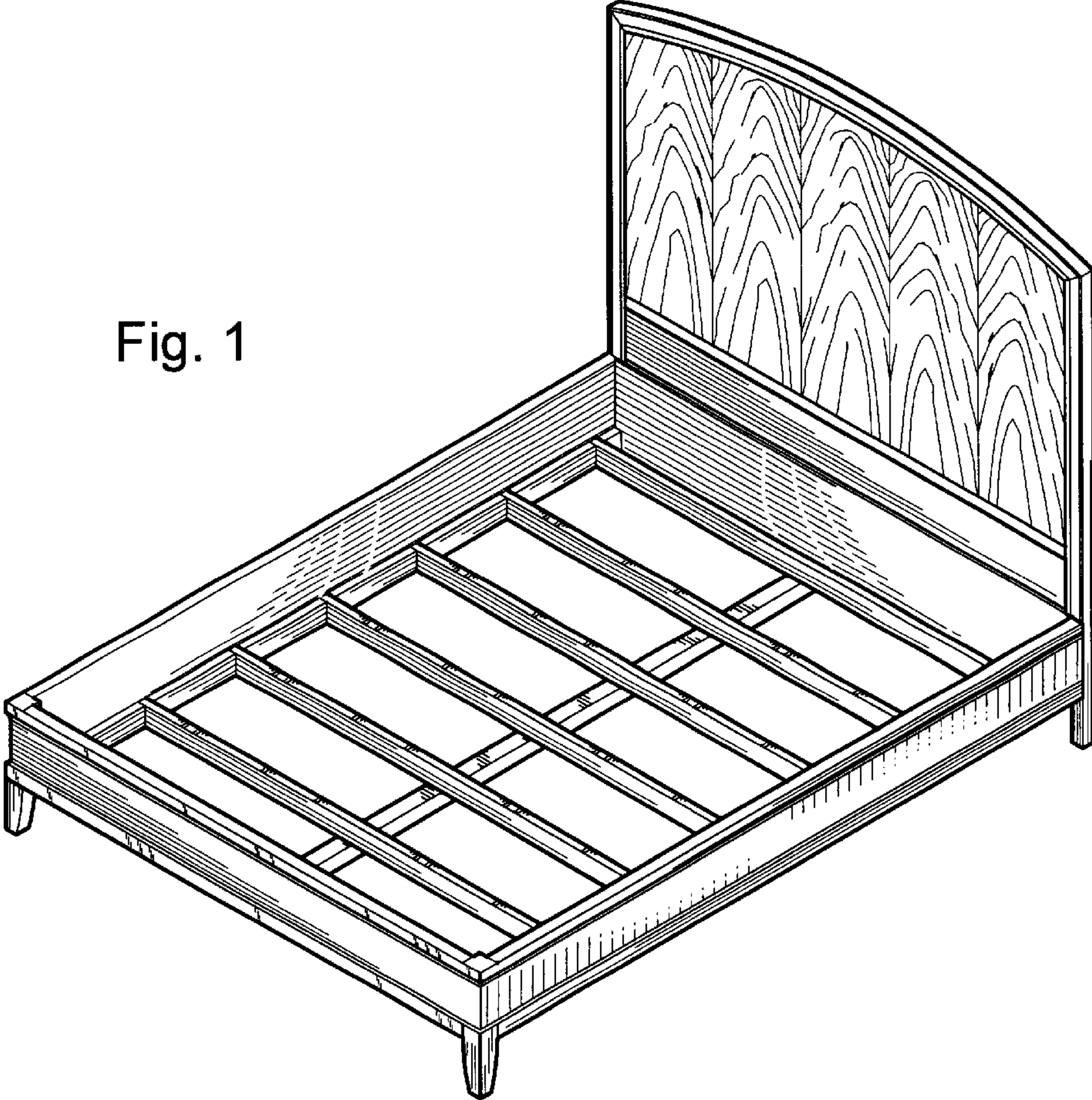


Fig. 1



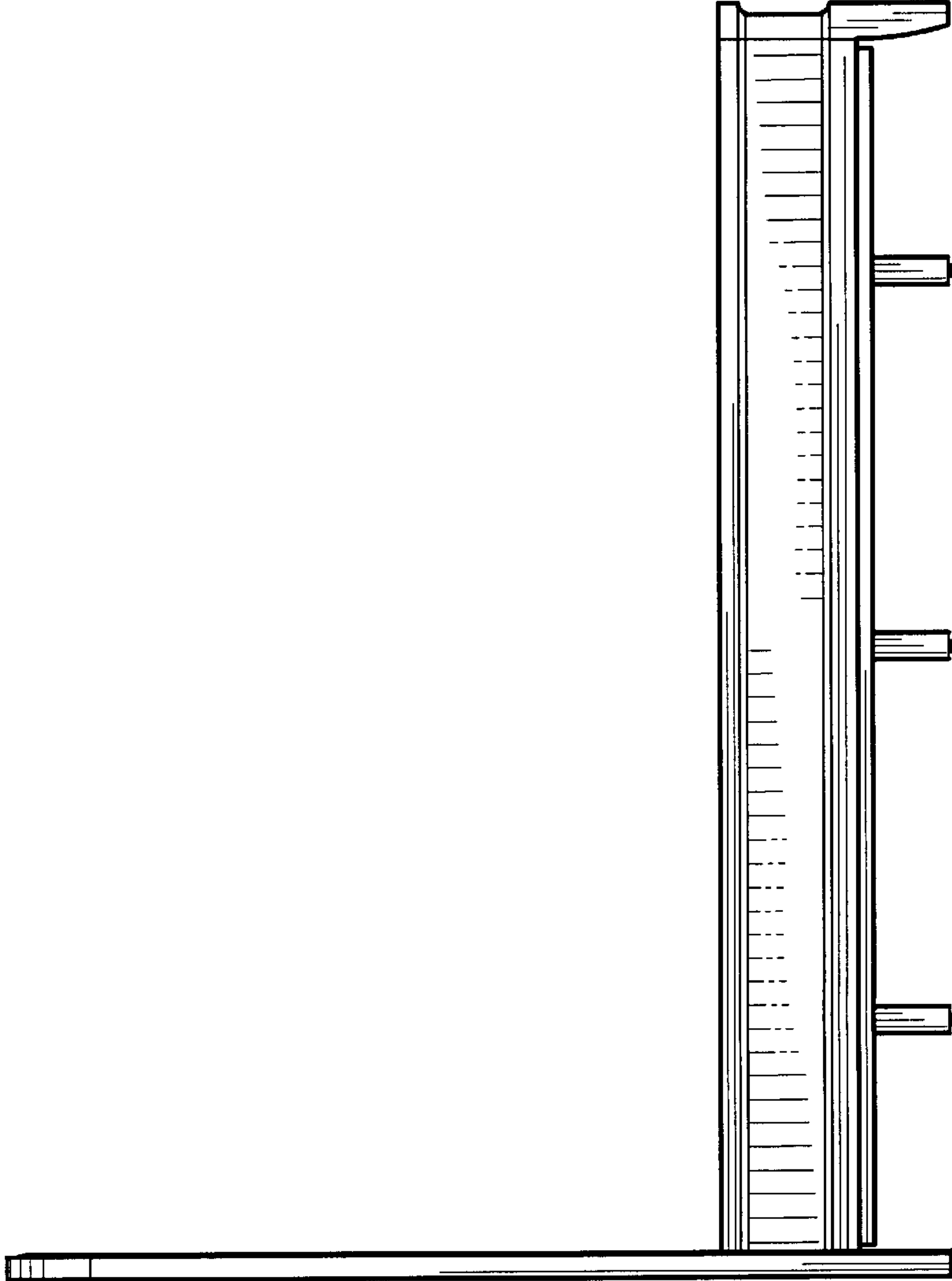


Fig. 2

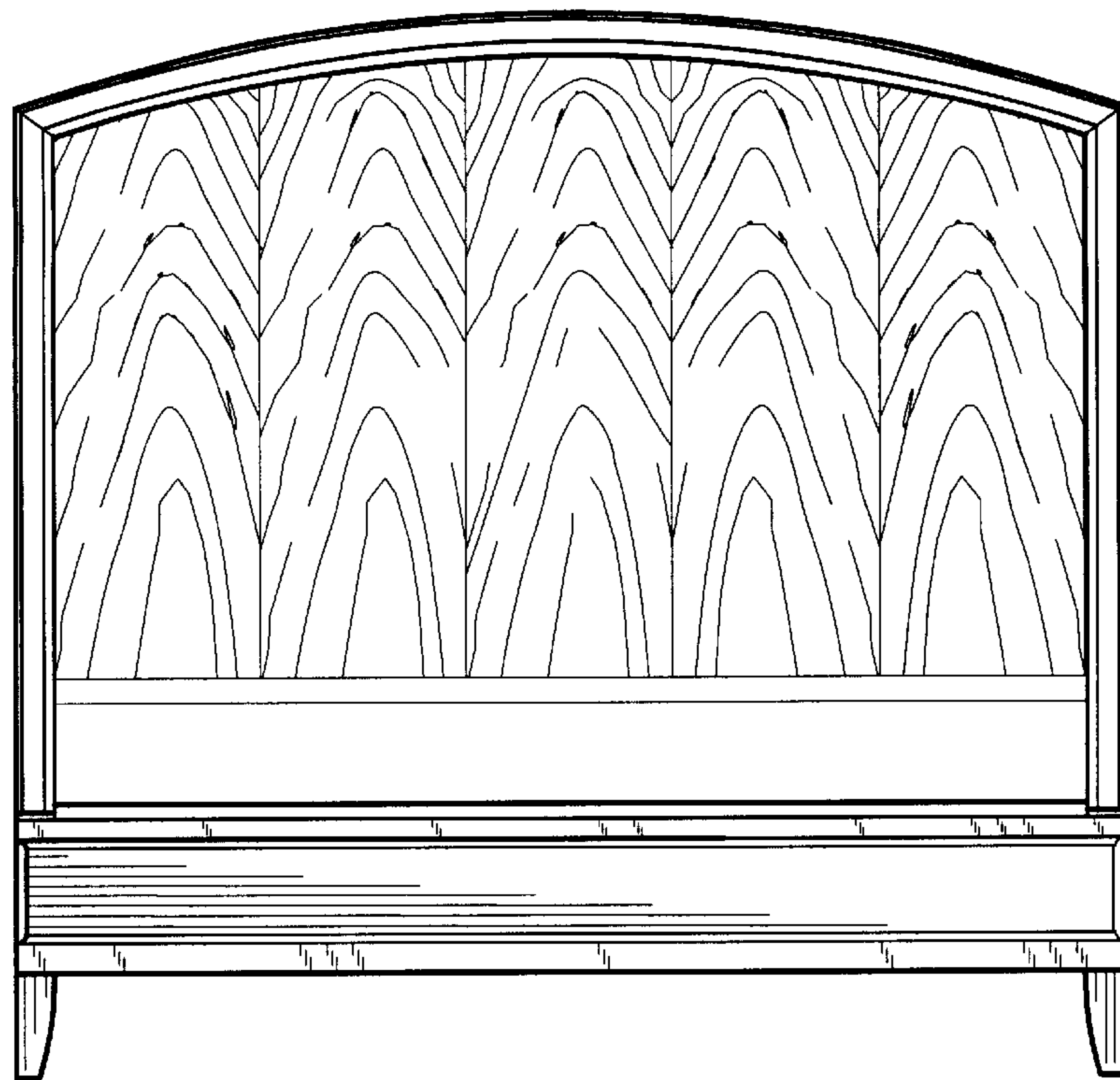


Fig. 3

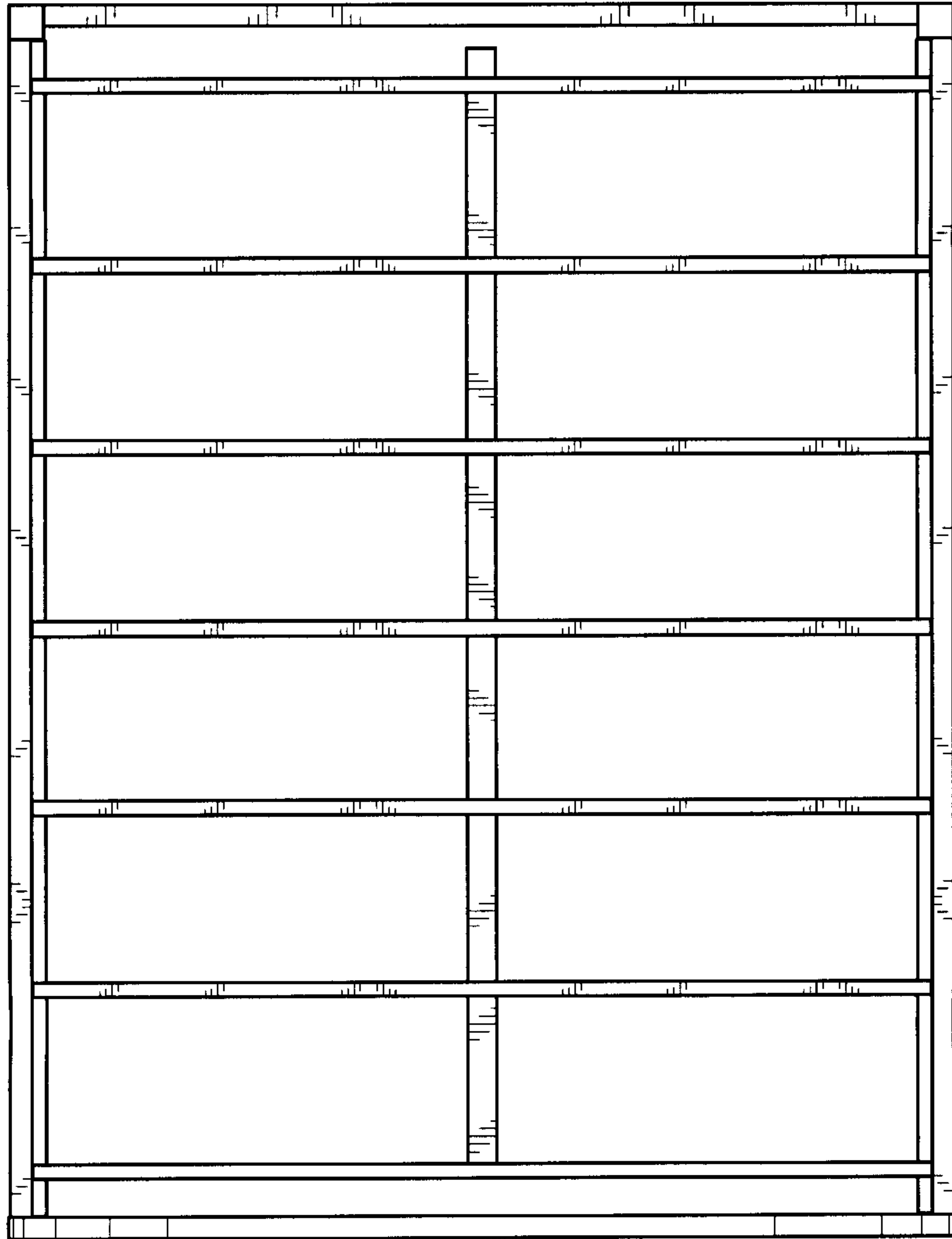


Fig. 4