

US00D542048S

(12) **United States Design Patent**
Domack et al.

(10) **Patent No.:** **US D542,048 S**

(45) **Date of Patent:** **** May 8, 2007**

- (54) **BED**
- (75) Inventors: **Randy D. Domack**, Trempealeau, WI (US); **Terry A. Everson**, Blair, WI (US)
- (73) Assignee: **Ashley Furniture Industries, Inc.**, Arcadia, WI (US)
- (**) Term: **14 Years**
- (21) Appl. No.: **29/238,210**
- (22) Filed: **Sep. 12, 2005**
- (51) **LOC (8) Cl.** **06-01**
- (52) **U.S. Cl.** **D6/393**
- (58) **Field of Classification Search** D6/382, D6/388, 389, 392-395, 505-508; 5/53.1, 5/279.1, 280, 281, 907
See application file for complete search history.

- D488,317 S 4/2004 Wanek et al.
- D497,067 S 10/2004 Cook
- D526,140 S * 8/2006 Cook D6/393

OTHER PUBLICATIONS

Ashley Product Catalog, Spring 2003, vol. 5, Series 1, Saturn B199-31-36-46-81-92 (2), p. 37.

* cited by examiner

Primary Examiner—Janice E. Seeger

(74) *Attorney, Agent, or Firm*—Patterson, Thunte, Skaar & Christensen, P.A.

(57) **CLAIM**

We claim the ornamental design for a bed, as shown and described.

DESCRIPTION

FIG. 1 is a front perspective view of a bed according to an embodiment of the invention.

FIG. 2 is a front elevational view of a bed according to an embodiment of the invention.

FIG. 3 is a side elevational view of a bed according to an embodiment of the invention, the opposite side being a mirror image thereof; and,

FIG. 4 is a top plan view of a bed according to an embodiment of the invention.

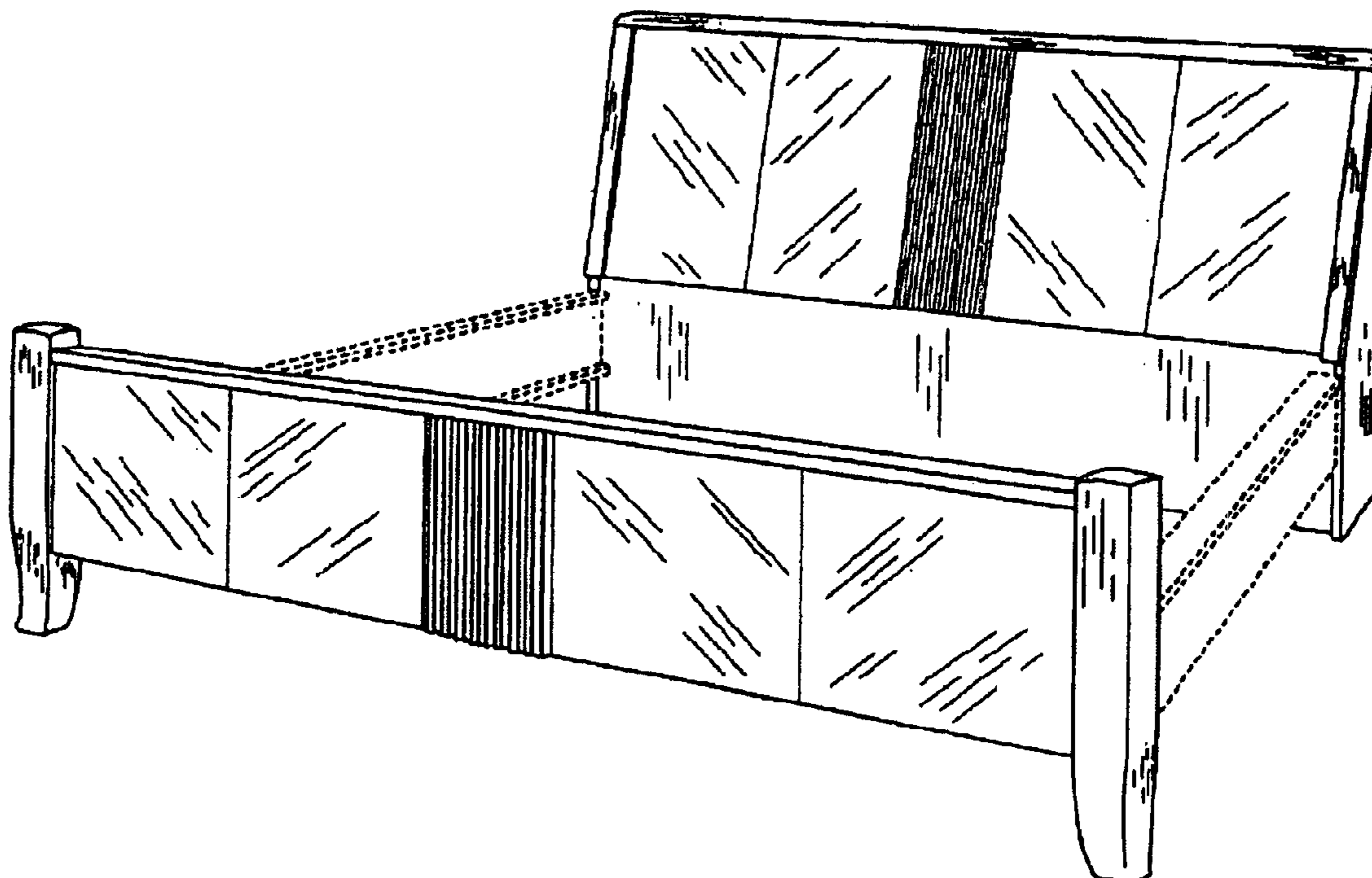
The dashed lines represent environmental elements only and form no part of the claimed design.

(56) **References Cited**

U.S. PATENT DOCUMENTS

- D106,301 S * 10/1937 Krick D6/505
- D177,467 S 4/1956 Frey
- D391,413 S * 3/1998 De Blaay D6/393
- D393,378 S 4/1998 Hutton
- D413,455 S 9/1999 Lacroix et al.
- D417,973 S 12/1999 Lacroix et al.
- D429,100 S * 8/2000 Cain D6/505
- D431,126 S * 9/2000 DiPersia D6/393
- D480,888 S 10/2003 Ogawa

1 Claim, 2 Drawing Sheets



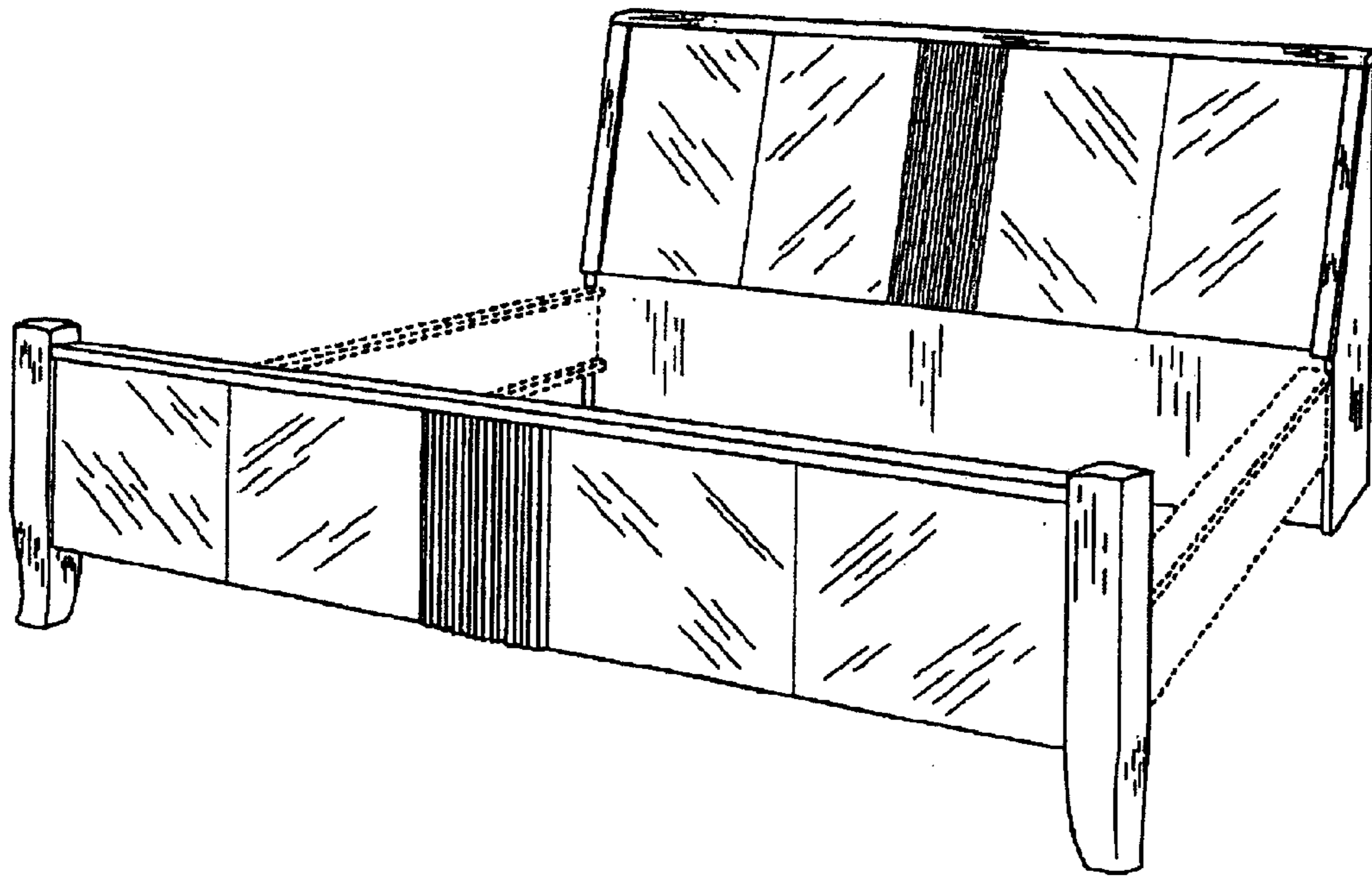


Fig. 1

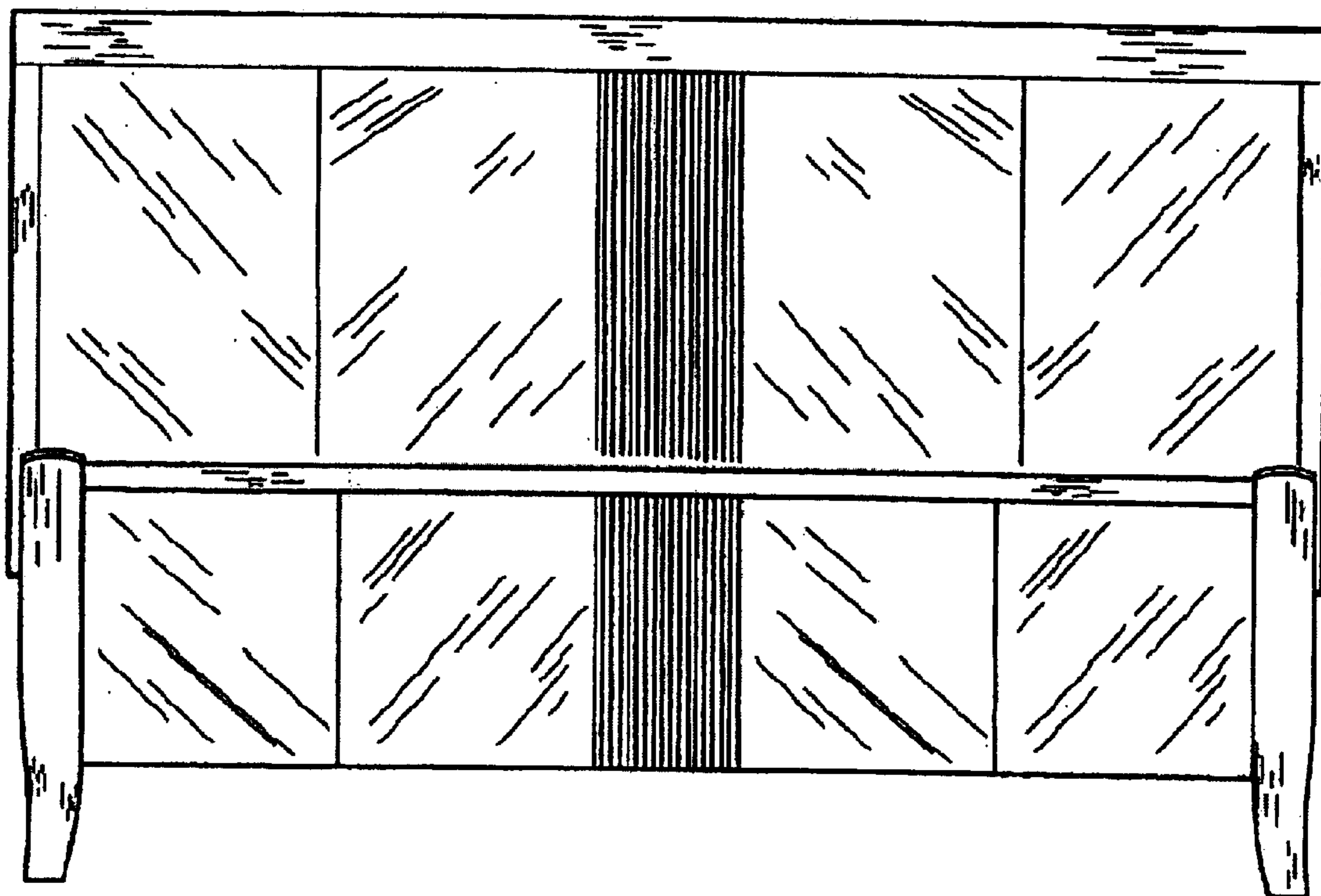


Fig. 2

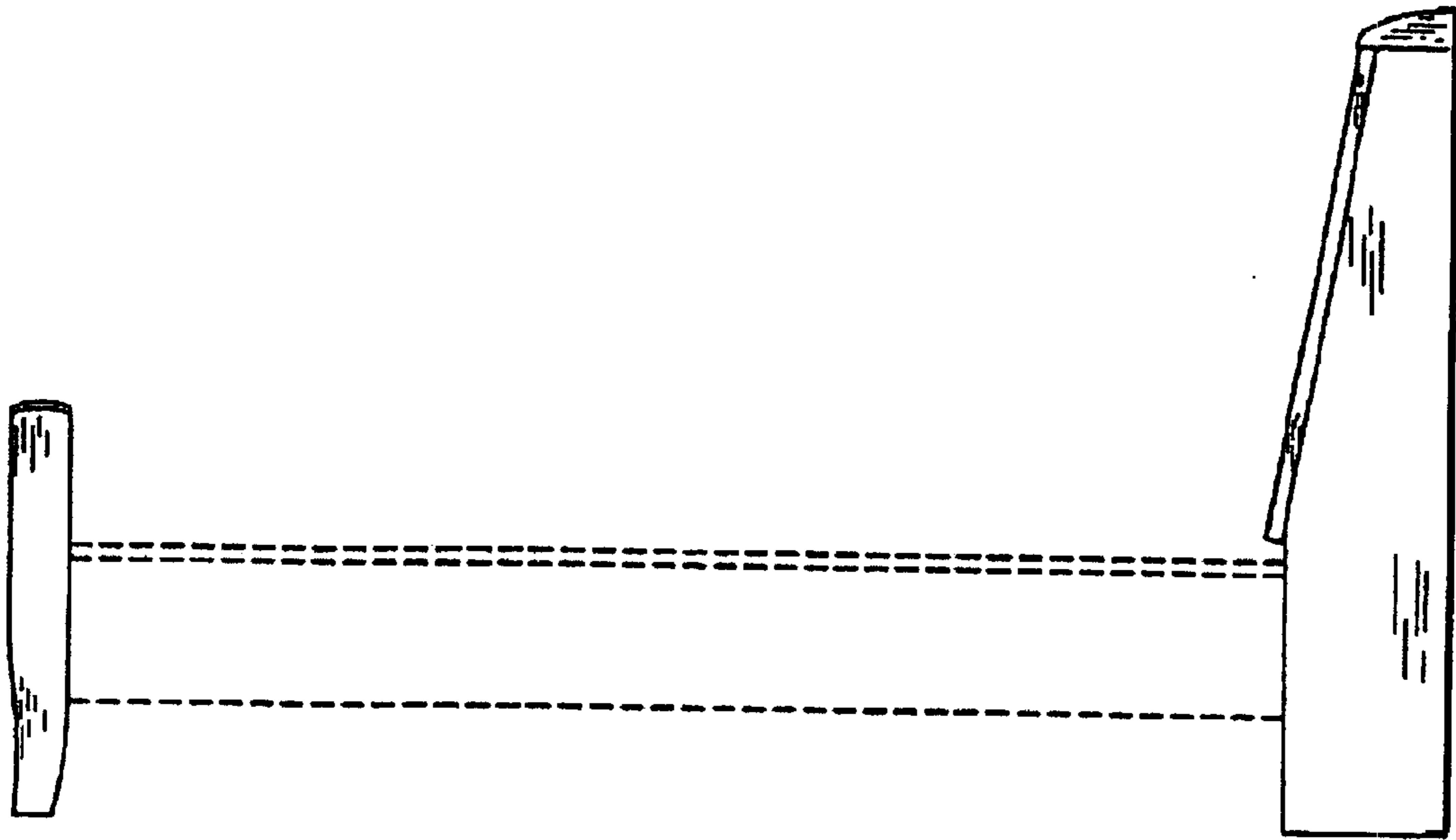


Fig. 3

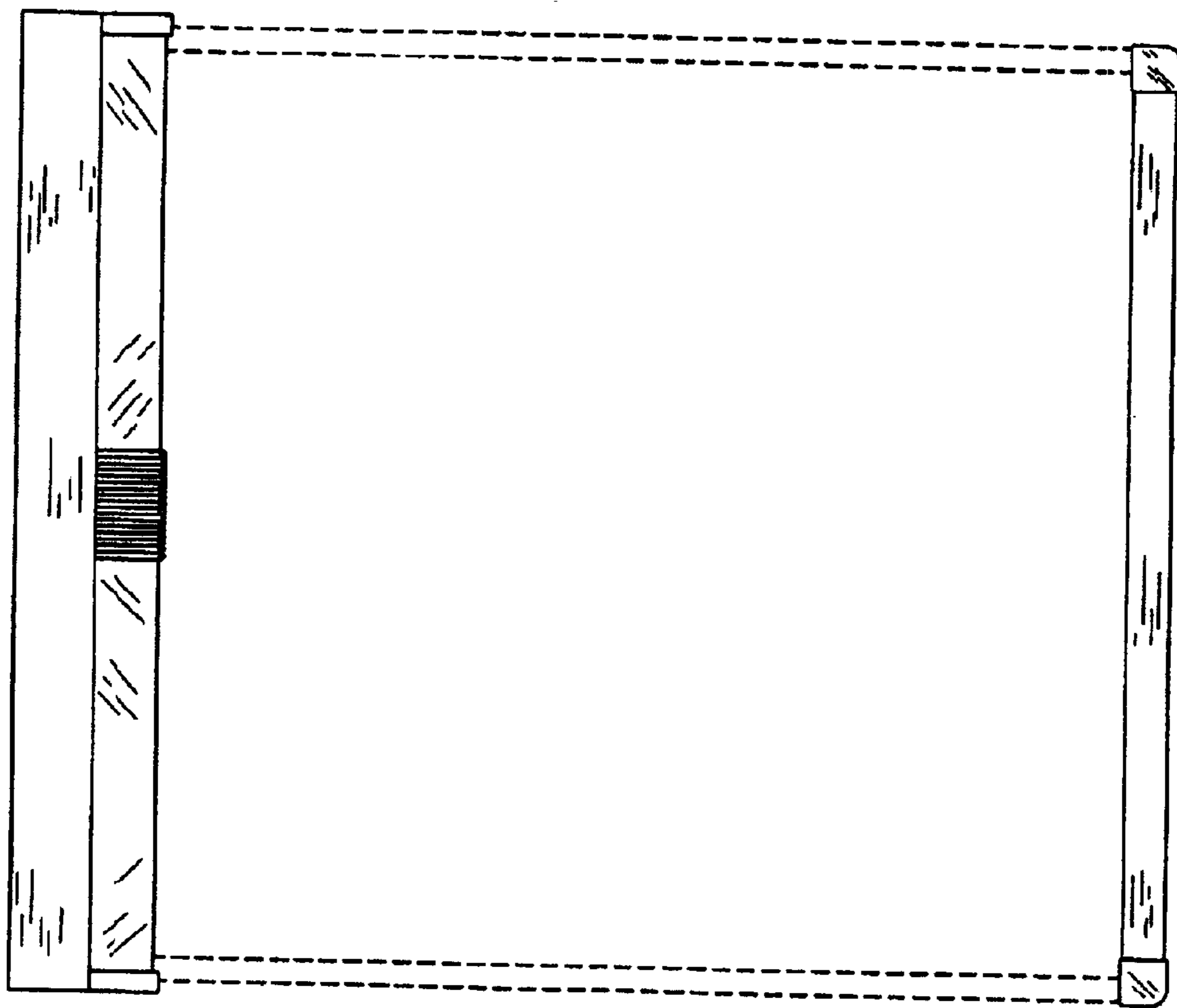


Fig. 4