

US00D542042S

(12) **United States Design Patent**
Yang

(10) **Patent No.:** **US D542,042 S**
(45) **Date of Patent:** **** May 8, 2007**

(54) **CHAIR**

(75) Inventor: **Johnny Yang, Apia (WS)**

(73) Assignee: **Wonderful Year Co., Ltd., Apia (WS)**

(**) Term: **14 Years**

(21) Appl. No.: **29/246,319**

(22) Filed: **Mar. 31, 2006**

(51) **LOC (8) Cl.** **06-01**

(52) **U.S. Cl.** **D6/366**

(58) **Field of Classification Search** D6/334-336,
D6/364, 365, 366, 367, 374, 375, 379, 498,
D6/500-502; 297/411.27, 452.16, 452.21,
297/452.24, 452.26, 452.32, 452.48; 248/188.7
See application file for complete search history.

(56) **References Cited**

U.S. PATENT DOCUMENTS

D369,928 S	*	5/1996	Larkin	D6/498
D444,327 S	*	7/2001	Tseng	D6/501
D447,895 S	*	9/2001	Chen	D6/498
D451,716 S	*	12/2001	Tseng	D6/366
D454,014 S	*	3/2002	Su	D6/500
D472,079 S	*	3/2003	Chen	D6/498

D487,657 S	*	3/2004	Chen	D6/501
D491,758 S	*	6/2004	True	D6/501
D492,143 S	*	6/2004	True	D6/366
D493,987 S	*	8/2004	True	D6/500
D494,389 S	*	8/2004	True	D6/500
D495,168 S	*	8/2004	True	D6/366
D529,735 S	*	10/2006	Chen	D6/500

* cited by examiner

Primary Examiner—Mimosa De

(74) *Attorney, Agent, or Firm*—Alan D. Kamrath; Nikolai & Mersereau, P.A.

(57) **CLAIM**

The ornamental design for chair, as shown and described.

DESCRIPTION

FIG. 1 is a perspective view of a chair showing my new design:

FIG. 2 is a front view thereof;

FIG. 3 is a rear view thereof;

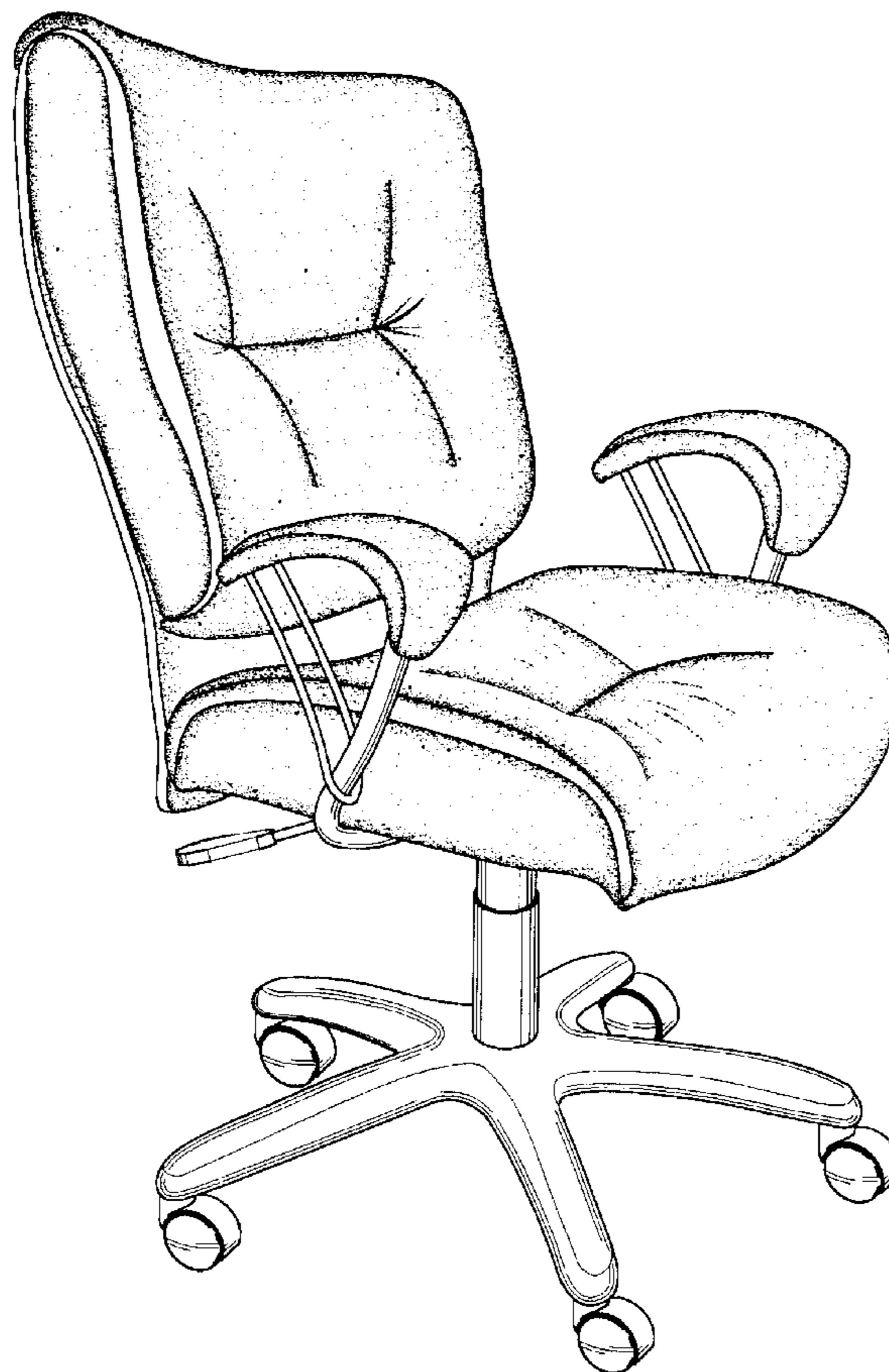
FIG. 4 is a left view thereof;

FIG. 5 is a right view thereof;

FIG. 6 is a top view thereof; and,

FIG. 7 is a bottom view thereof.

1 Claim, 4 Drawing Sheets



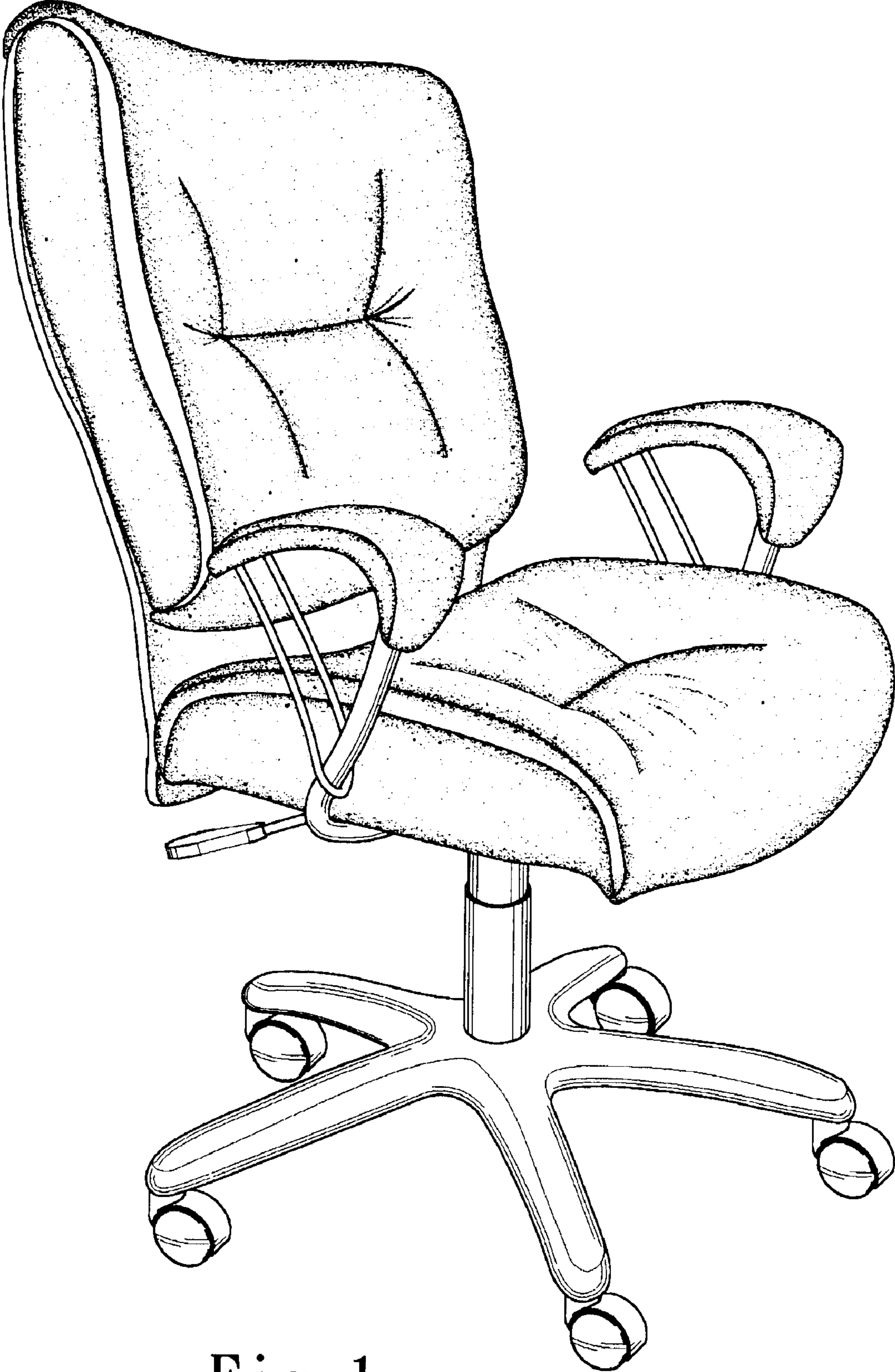


Fig. 1

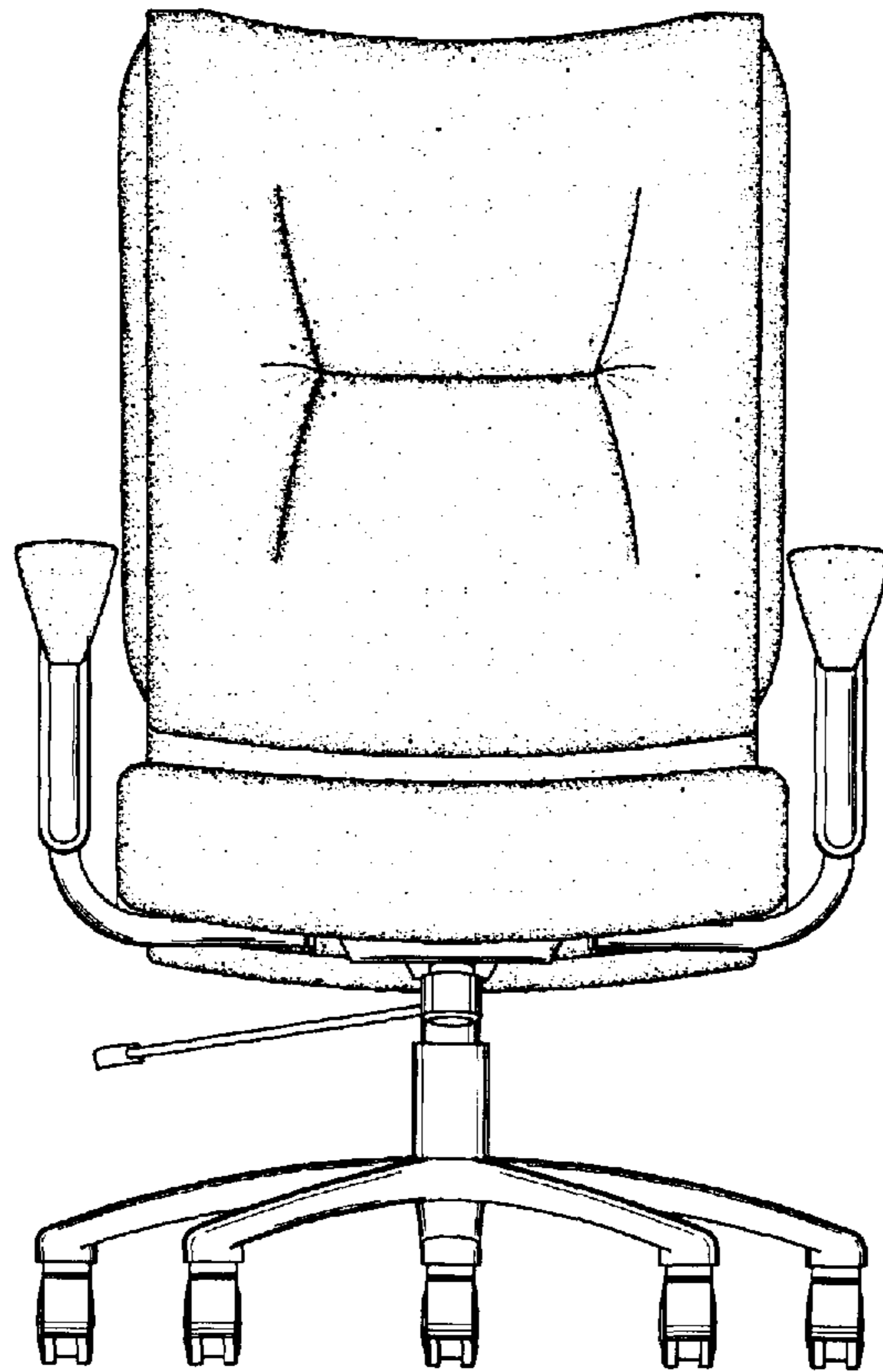


Fig. 2

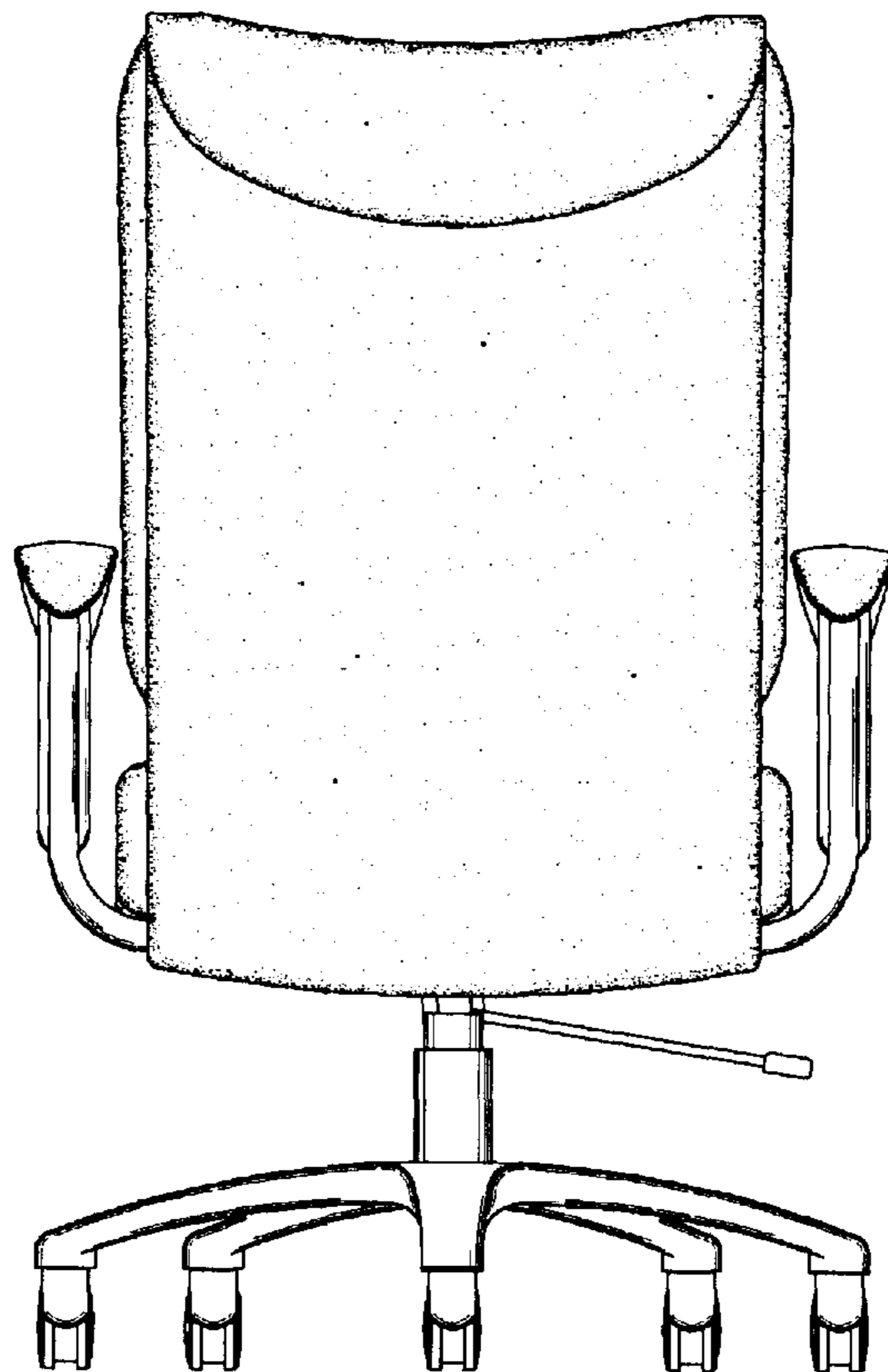


Fig. 3

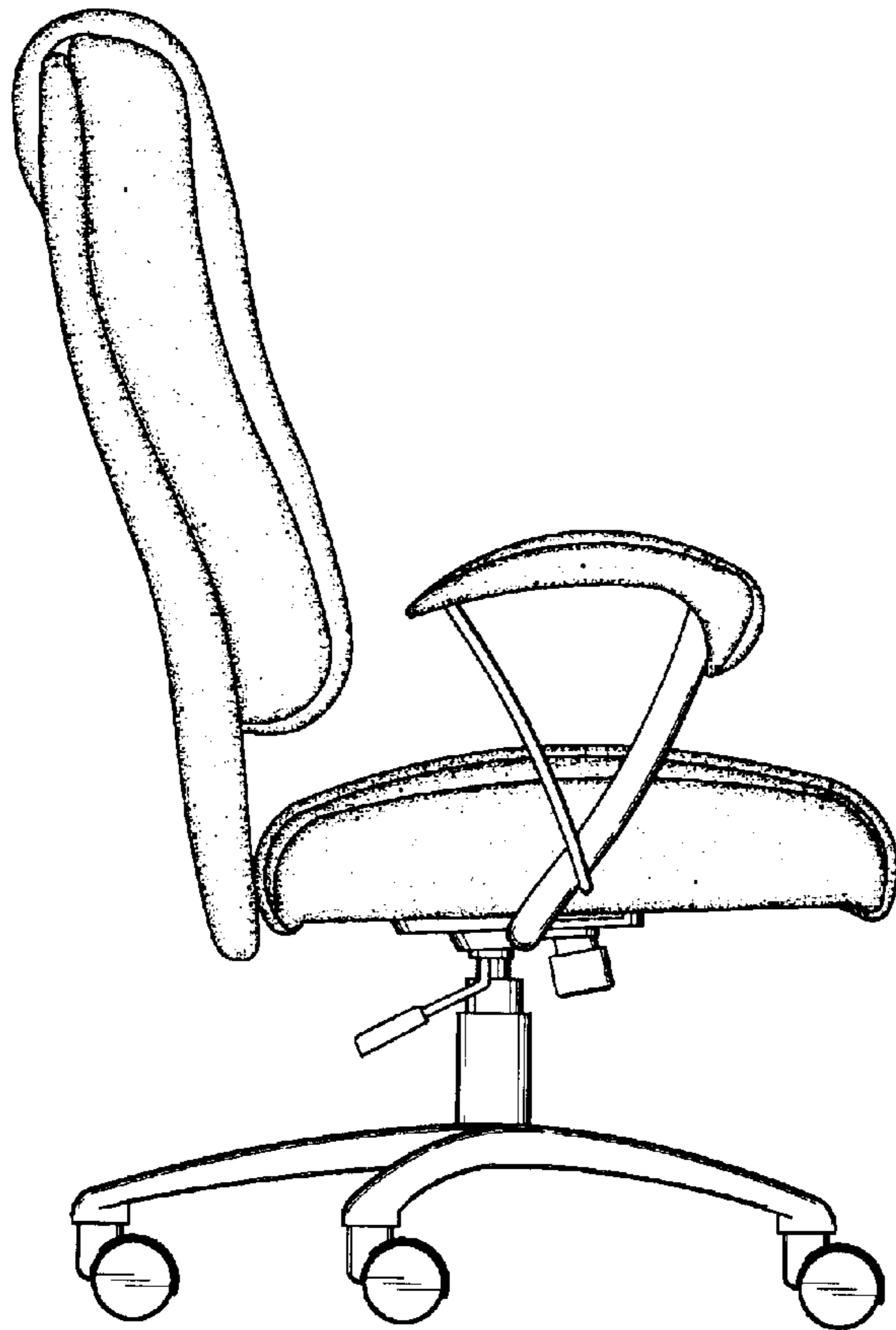


Fig. 4

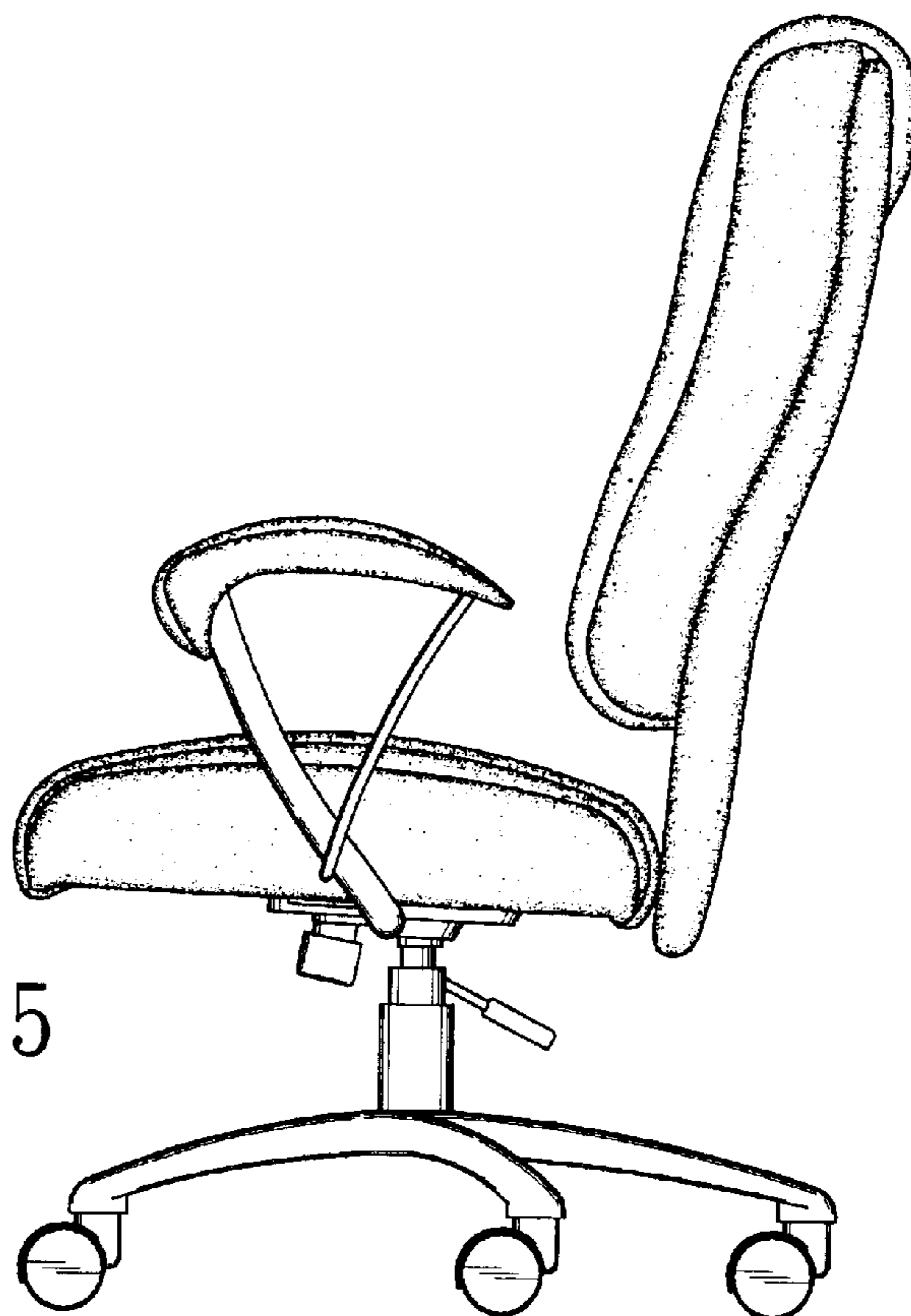


Fig. 5

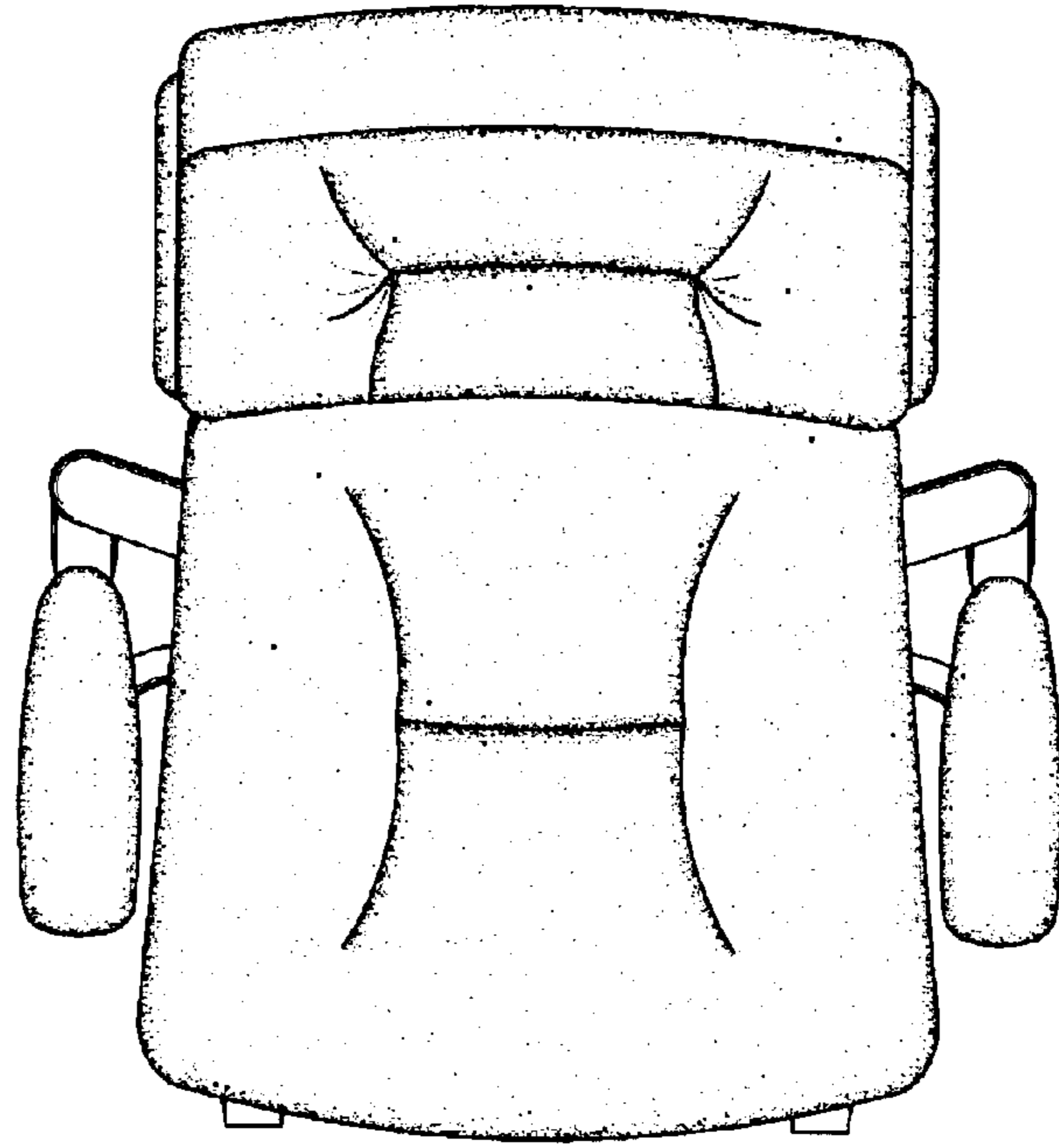


Fig. 6

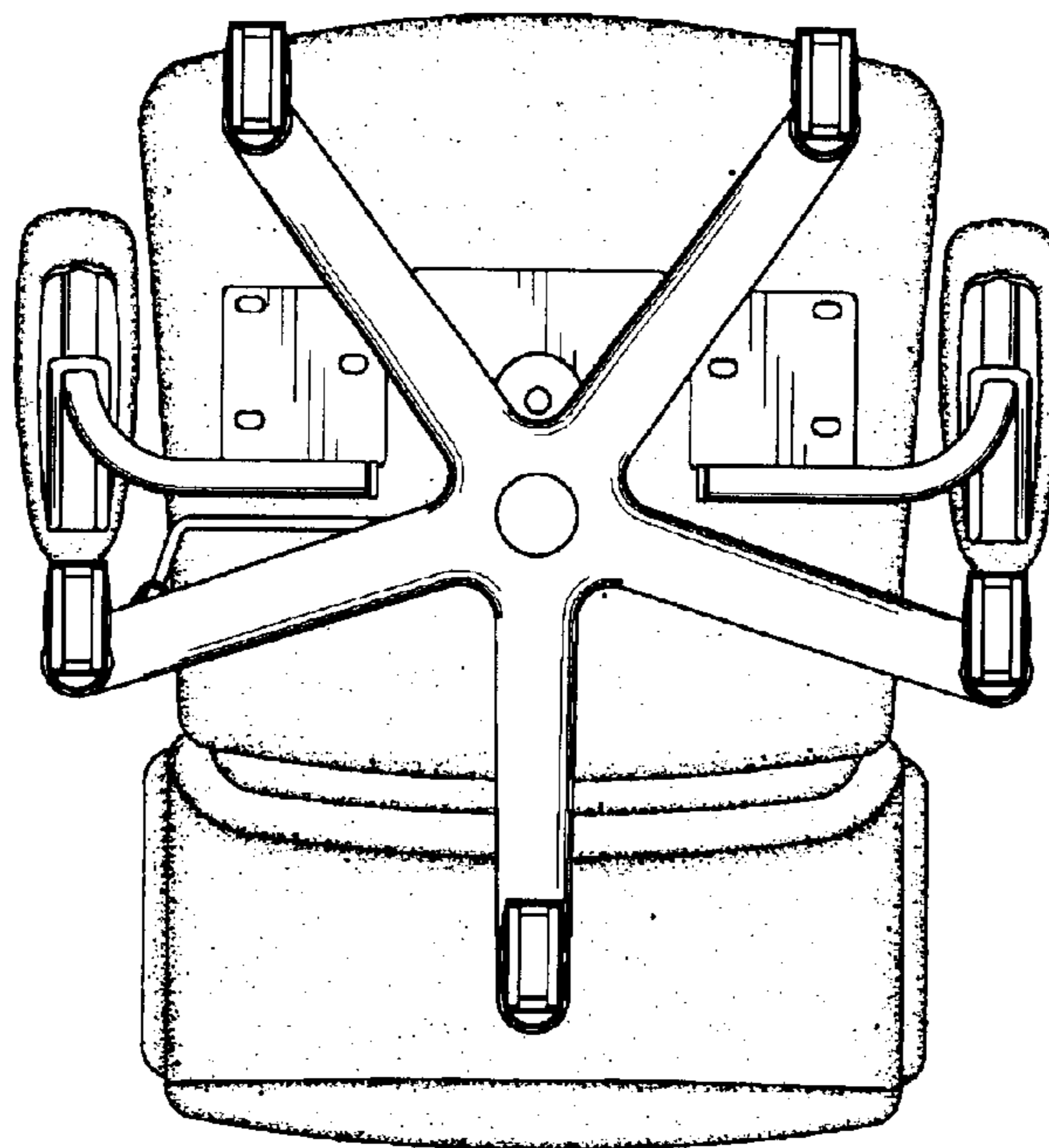


Fig. 7