

US00D542040S

(12) **United States Design Patent** (10) **Patent No.:** **US D542,040 S**
Erli (45) **Date of Patent:** **** May 8, 2007**

(54) **BABY'S SEAT**

(75) Inventor: **Pierangelo Erli**, Telgate (IT)
(73) Assignee: **Okbaby S.R.L.**, Bergamo (IT)
(**) Term: **14 Years**

(21) Appl. No.: **29/254,356**
(22) Filed: **Feb. 22, 2006**

(30) **Foreign Application Priority Data**

Sep. 6, 2005 (EM) 000396650-0001

(51) **LOC (8) Cl.** **06-01**
(52) **U.S. Cl.** **D6/339**
(58) **Field of Classification Search** D6/333-339,
D6/502, 360, 375, 380, 500; 297/1-3, 24-27,
297/61, 68, 69, 118, 119, 130, 136, 148, 153,
297/170-173, 174 R, 174 CS, 256.1, 344.14
See application file for complete search history.

(56) **References Cited**

U.S. PATENT DOCUMENTS

D177,231 S * 3/1956 Hall et al. D6/338
2,816,598 A * 12/1957 Shone 297/40
3,606,461 A * 9/1971 Moriyama 297/451.8
D231,875 S * 6/1974 Miller D6/335
D240,177 S * 6/1976 Petersilie D6/335
6,293,623 B1 * 9/2001 Kain et al. 297/423.25
D493,624 S * 8/2004 Chen D6/339

OTHER PUBLICATIONS

New Koala Designer High Chair KB105-02, Koala Kare Products, Sep. 2005, distributor: <http://www.babychanging-station.com>.
Child's Wooden High Chair, Gaychrome, Nov. 27, 2006, <http://www.cs ltd.com/gaychrom/801.html>.
Bottoms-Up Booster Seat 13-198, Costco Catalog, Jun. 3, 1974.*

* cited by examiner

Primary Examiner—Sandra Snapp
Assistant Examiner—Karen Acker
(74) *Attorney, Agent, or Firm*—Pearne & Gordon LLP

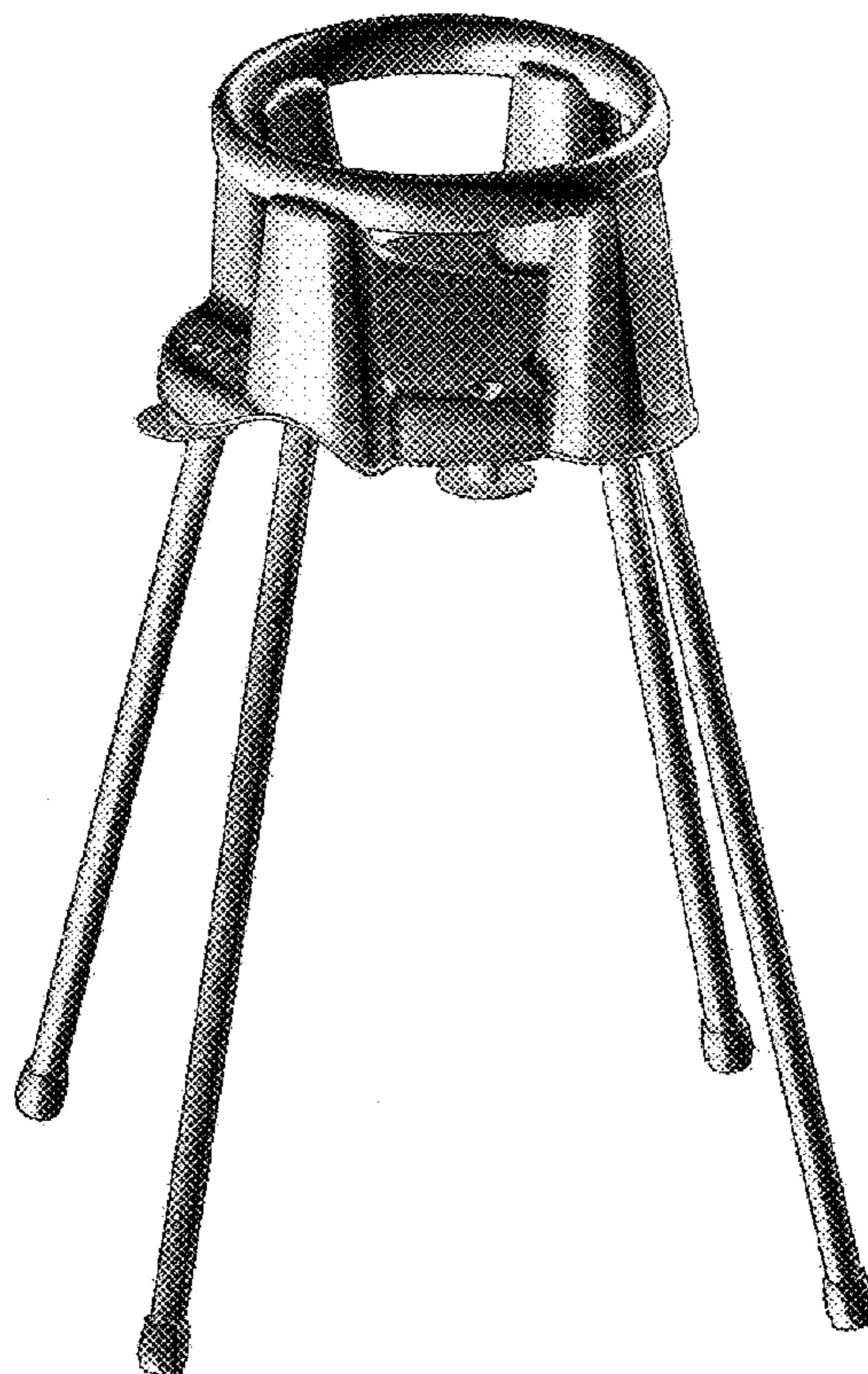
(57) **CLAIM**

The ornamental design for a baby's seat, as shown and described.

DESCRIPTION

FIG. 1 is a perspective view of a baby's seat, showing my new design;
FIG. 2 is a top view thereof;
FIG. 3 is a bottom view thereof;
FIG. 4 is a front view thereof;
FIG. 5 is a back view thereof;
FIG. 6 is a left side view thereof; and,
FIG. 7 is a right side view thereof.

1 Claim, 7 Drawing Sheets



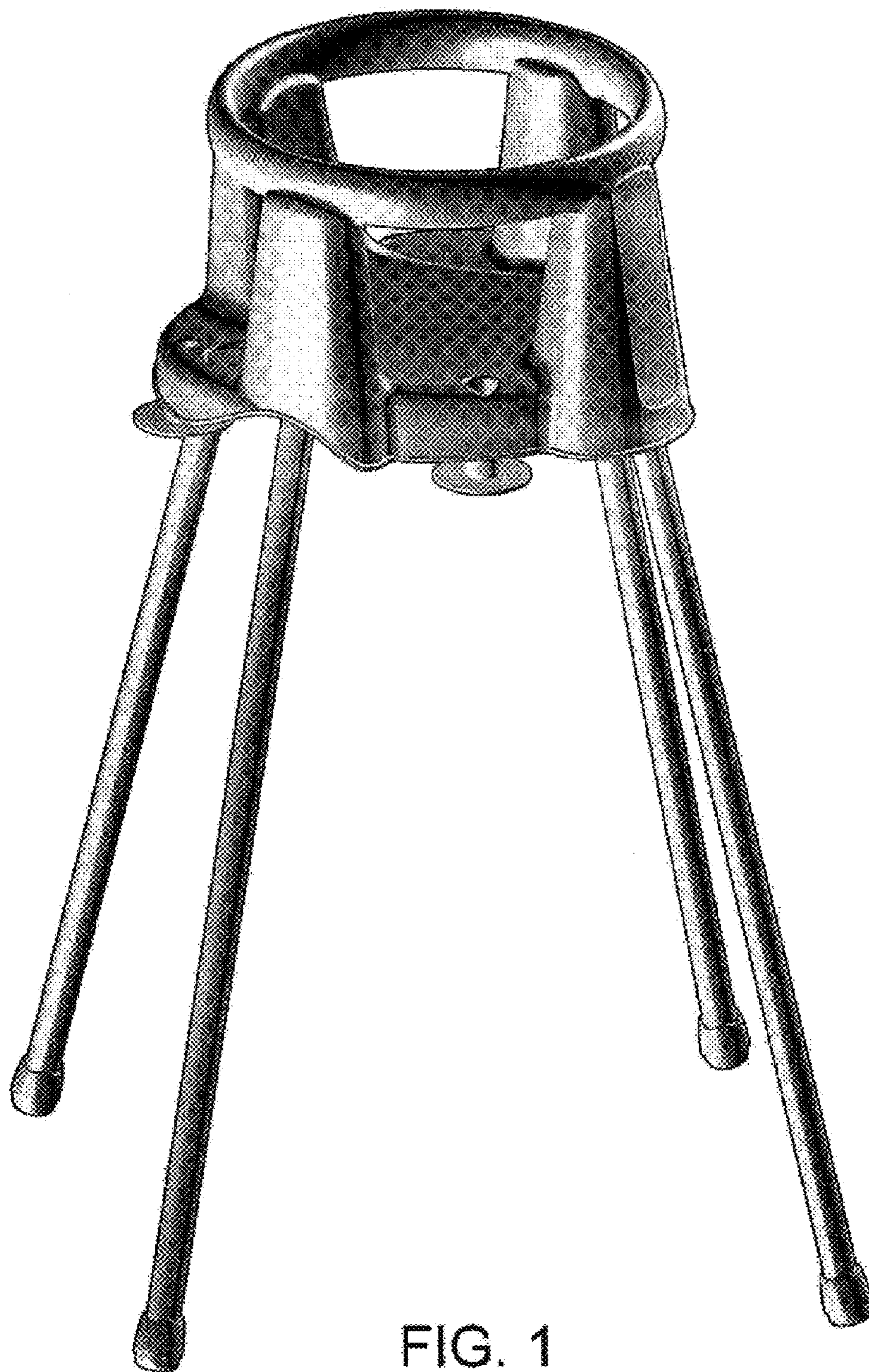


FIG. 1

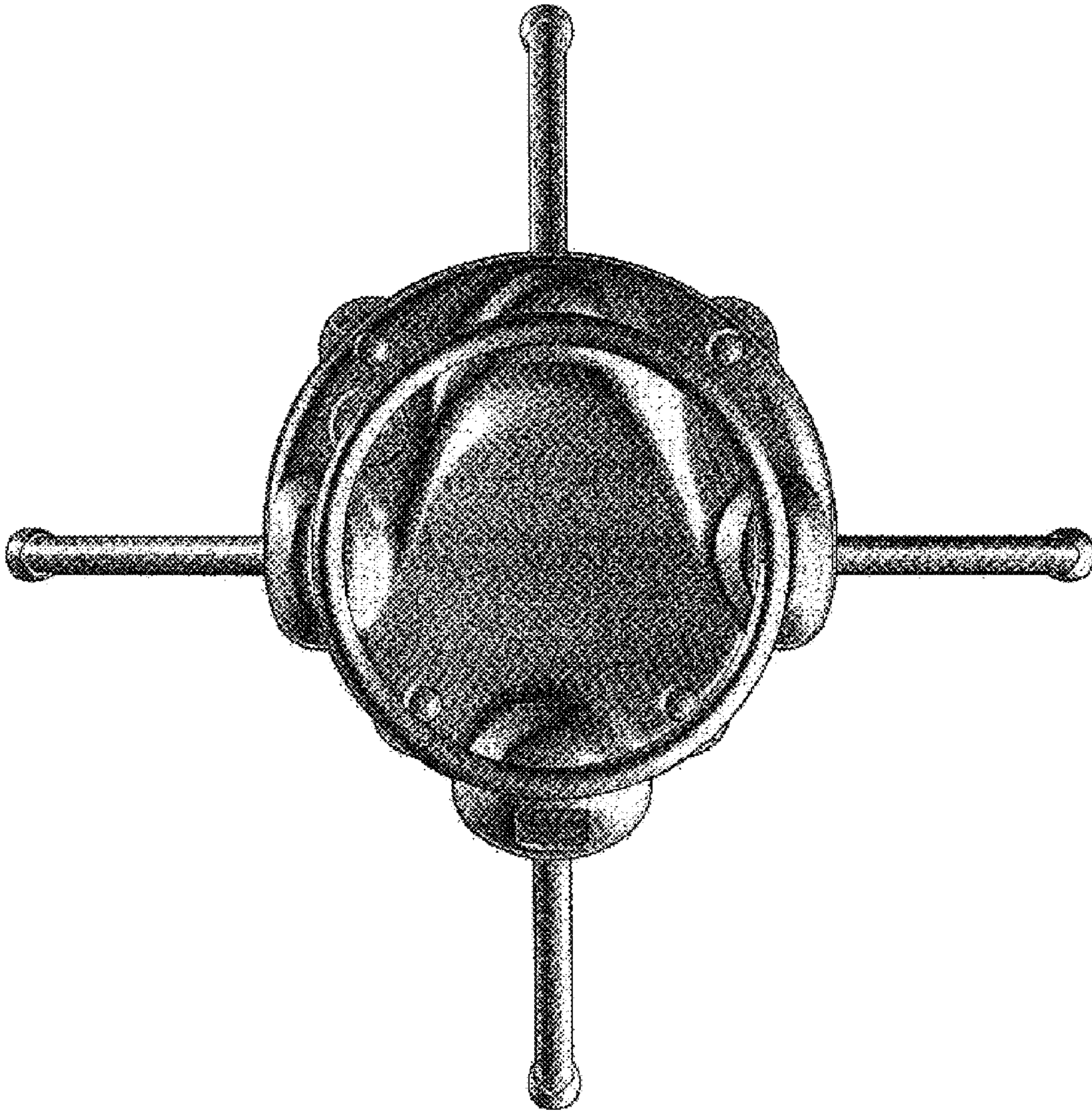


FIG. 2

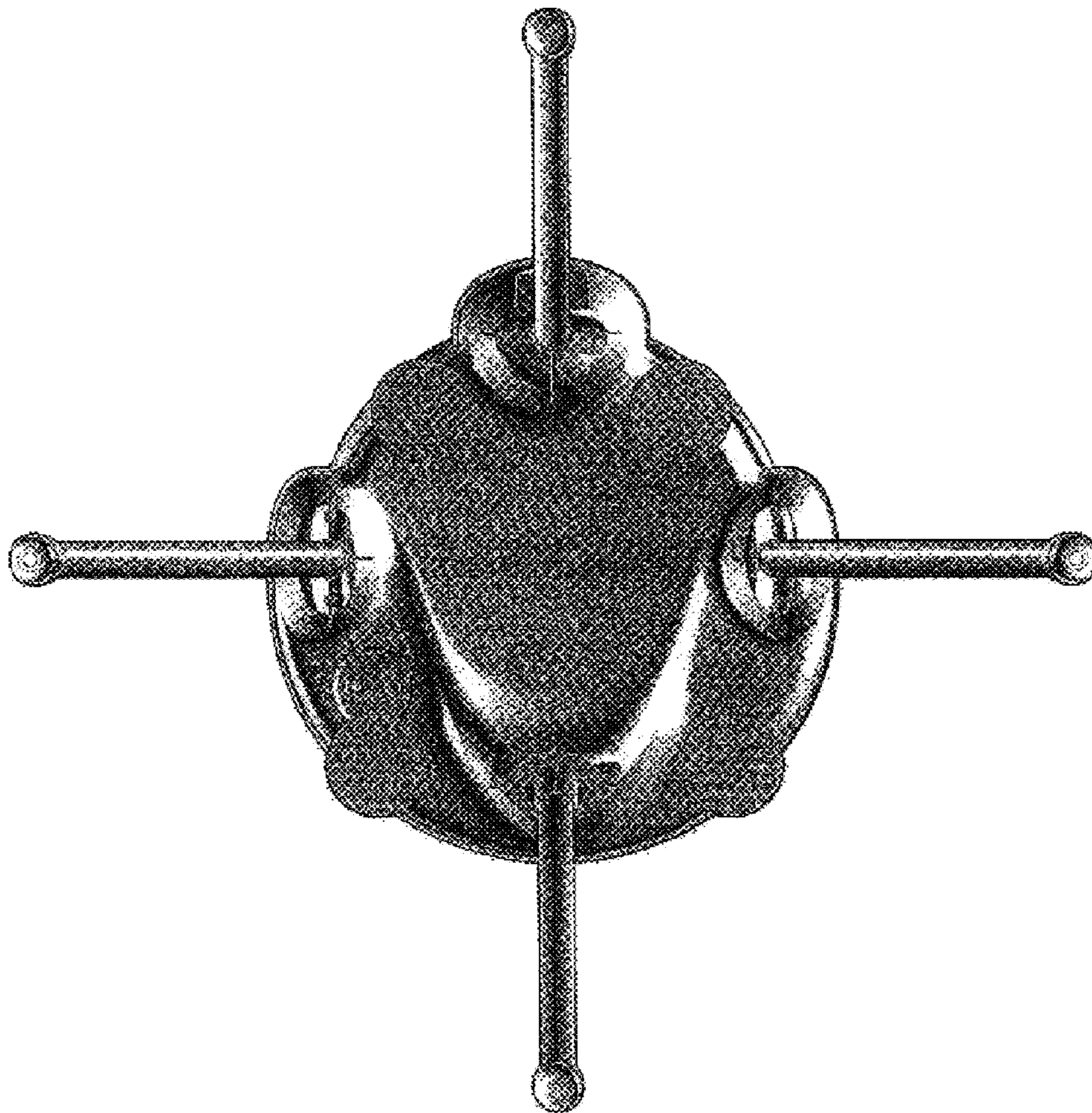


FIG. 3

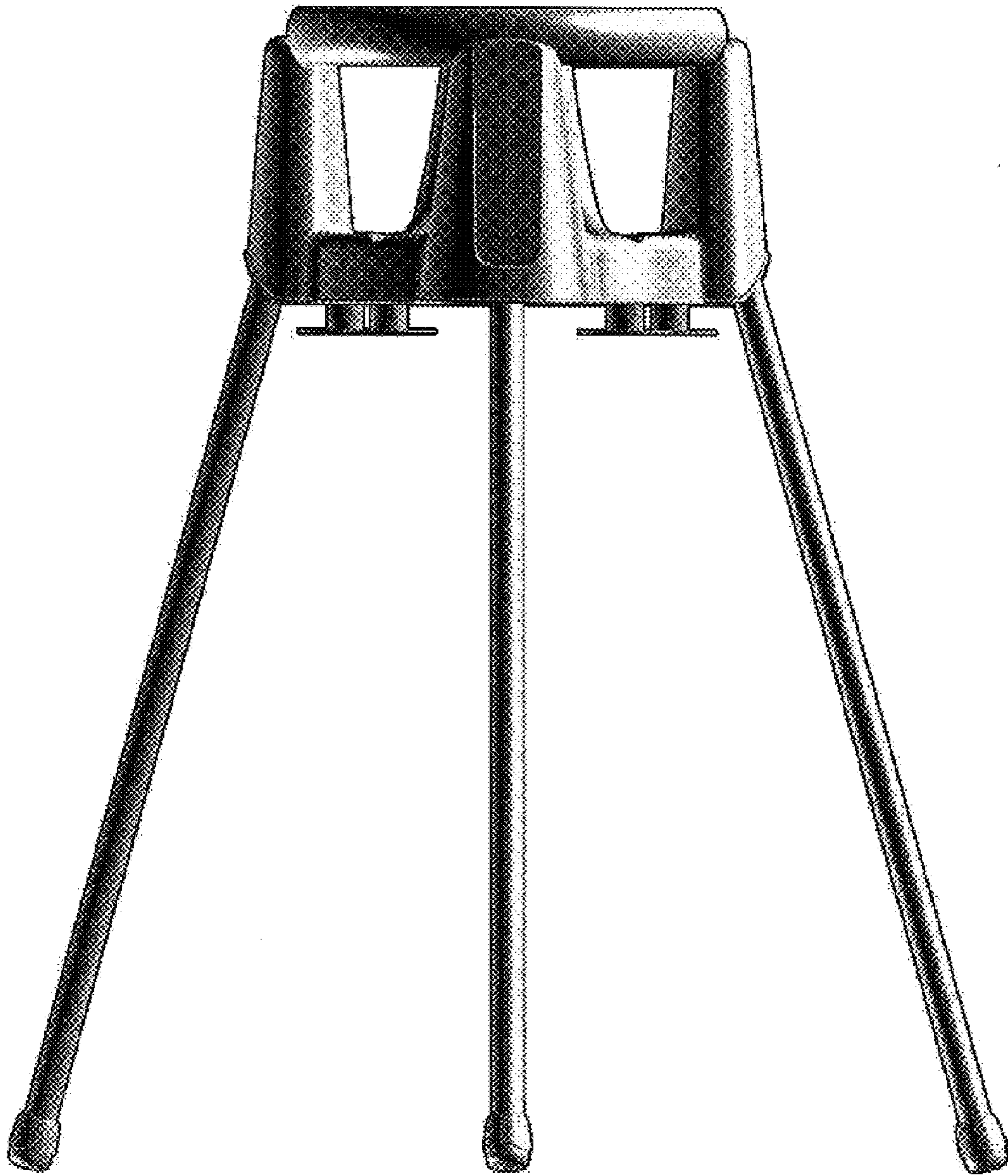


FIG. 4



FIG. 5

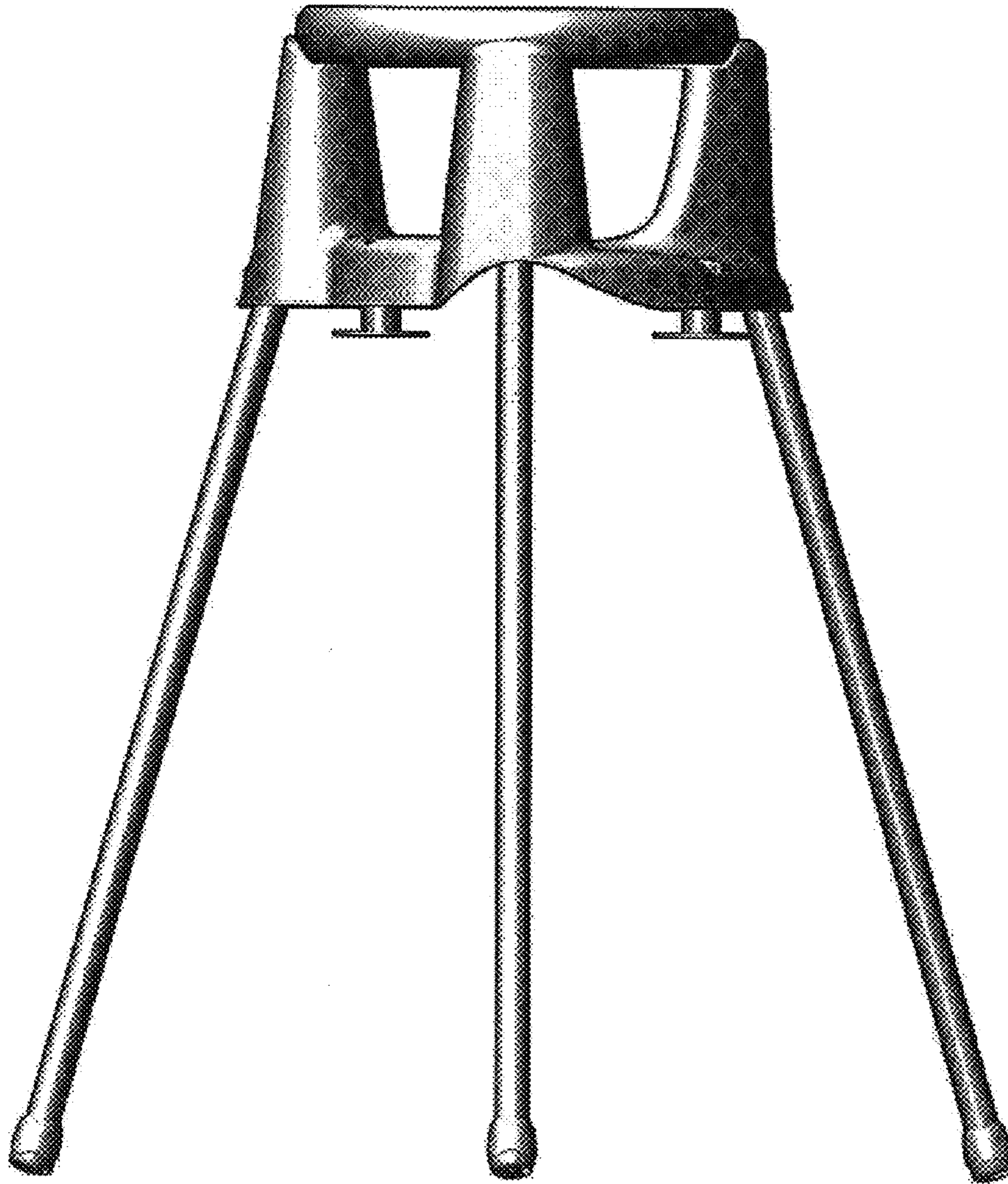


FIG. 6

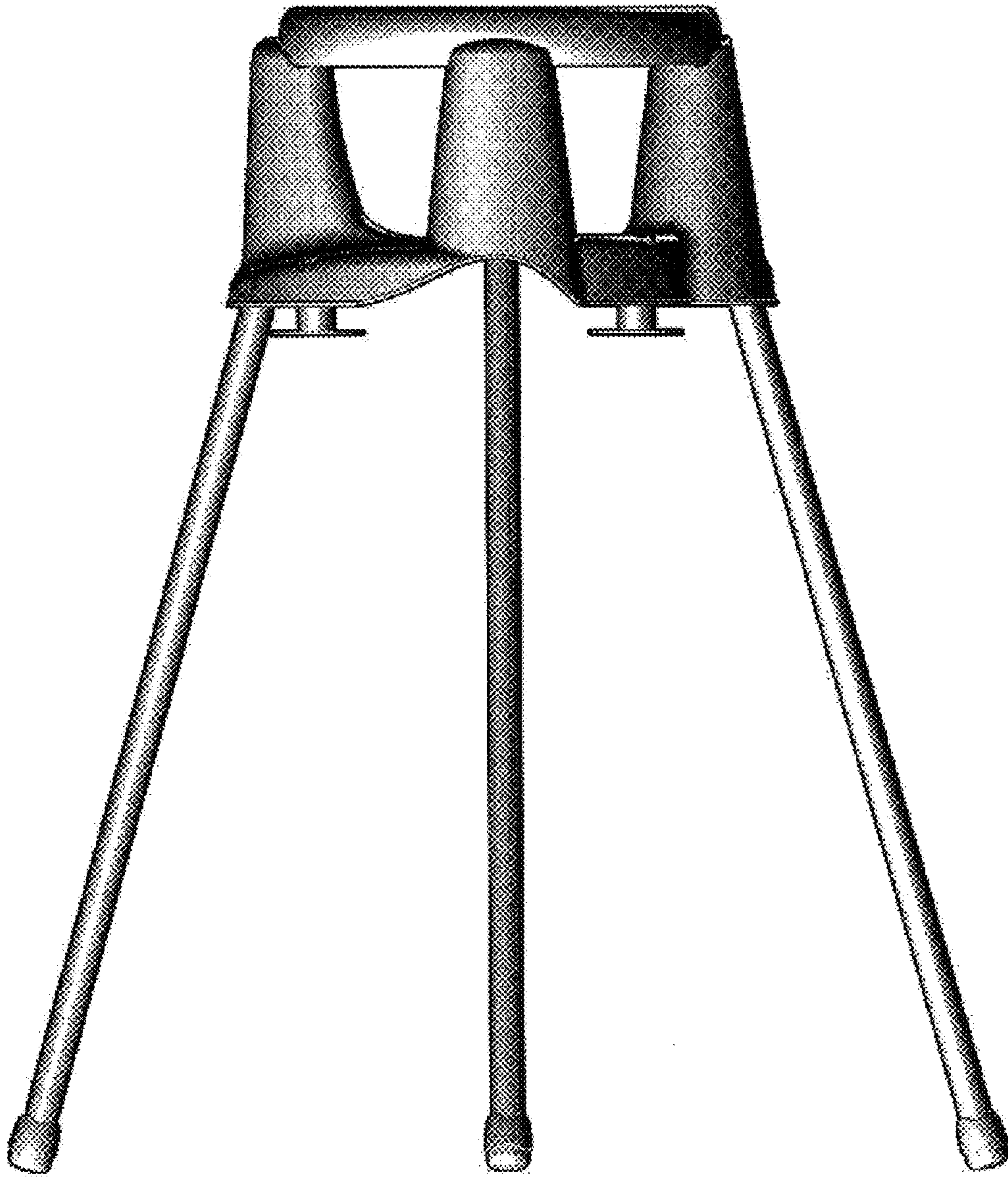


FIG. 7