

US00D542039S

(12) **United States Design Patent** (10) **Patent No.:** **US D542,039 S**  
**Glass et al.** (45) **Date of Patent:** **\*\* \*May 8, 2007**

(54) **CHAIR/DESK**

2005/0012371 A1 \* 1/2005 Mendenhall et al. .... 297/248  
2005/0099040 A1 \* 5/2005 Mills et al. .... 297/170

(75) Inventors: **Peter Glass**, Arroyo Grande, CA (US);  
**Robert J. Mills**, Torrance, CA (US)

OTHER PUBLICATIONS

(73) Assignee: **Virco Mgmt. Corporation**, Torrance,  
CA (US)

Virco Furniture Solutions 2003 General Catalog, pp. 60, 61,  
64, and 67, model Nos. 3400BR, 3700BR, 3400LABR,  
9400BR, 9700BR, 9400LABR, 2700BR, and 2400BR, Nov.  
2002.

(\* ) Notice: This patent is subject to a terminal dis-  
claimer.

Artco-Bell Corporation Furniture to Enhance Education  
catalog, pp. 6 and 13, model Nos. 7457, H257, and H457,  
undated.

(\*\*) Term: **14 Years**

Royal Seating Corporation Eduational and Computer Fur-  
niture catalog, pp. 16, 17, and 45, model Nos. 1401, 4403,  
6700, and CR-150, undated.

(21) Appl. No.: **29/216,355**

Scholarcraft School Furniture catalog, pp. 14, 15, 16, 17, 18,  
19, and 20, model Nos. 620, 630, 640, 650, 680,780, 850,  
880, 880JT, and 950, undated.

(22) Filed: **Nov. 2, 2004**

(51) **LOC (8) Cl.** ..... **06-01**

(52) **U.S. Cl.** ..... **D6/335**

(58) **Field of Classification Search** ..... D6/333-339,  
D6/364-367, 371-376, 380, 42, 500-502,  
D6/510-511; 297/144, 145, 160, 62, 183.1,  
297/170-173, 183.7, 448.2, 451.3, 452.1,  
297/452.2, 452.29, 248

\* cited by examiner

See application file for complete search history.

*Primary Examiner*—Janice E. Seeger

*Assistant Examiner*—Sydney R. Buffalow

(74) *Attorney, Agent, or Firm*—Robert M. Hupe; Virco  
Mgmt. Corporation

(56) **References Cited**

(57) **CLAIM**

U.S. PATENT DOCUMENTS

The ornamental design for a “chair/desk,” as shown.

- D49,159 S \* 6/1916 Robinson ..... D6/341
- 1,420,404 A 6/1922 Beaver
- 1,452,343 A 4/1923 Jones
- D163,170 S 5/1951 Eibetz
- D169,932 S \* 6/1953 Chapman et al. .... D6/341
- D170,005 S \* 7/1953 Chapman et al. .... D6/341
- 2,722,965 A 11/1955 Chapman et al.
- 2,732,007 A 1/1956 MacWhirter
- D181,703 S 12/1957 Bargaen
- 2,970,635 A 2/1961 Fields
- 3,020,086 A \* 2/1962 Barber ..... 297/170
- D198,628 S \* 7/1964 Chapman et al. .... D6/341
- D206,721 S \* 1/1967 Durfee ..... D6/338
- D207,850 S \* 6/1967 Durfee ..... D6/341
- D505,022 S \* 5/2005 Mills et al. .... D6/338

**DESCRIPTION**

FIG. 1 is a perspective view of a chair/desk showing my new  
design;

FIG. 2 is a front plan view thereof;

FIG. 3 is a left side view thereof;

FIG. 4 is a right side view thereof;

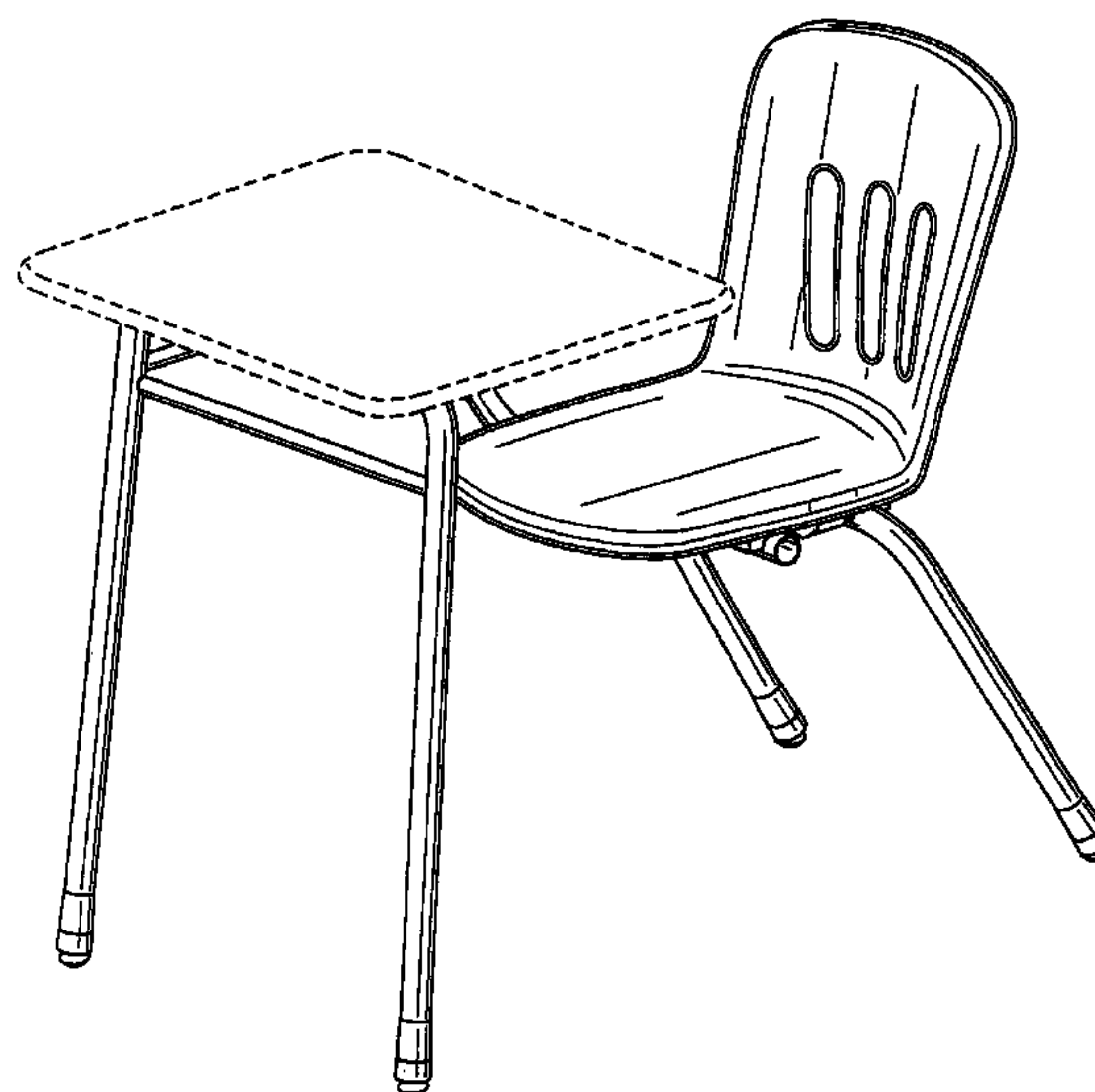
FIG. 5 a top view thereof;

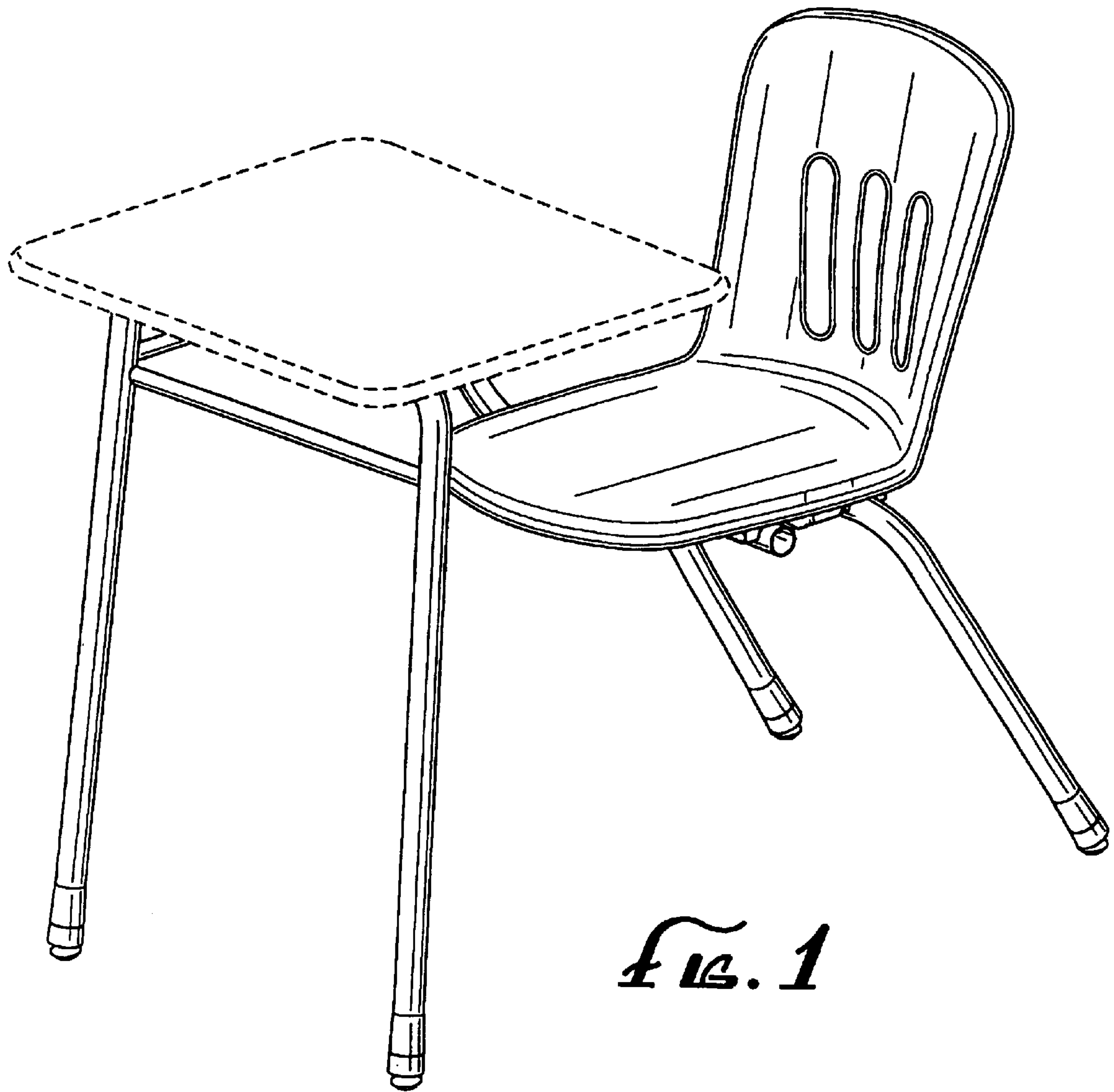
FIG. 6 is a bottom view thereof; and,

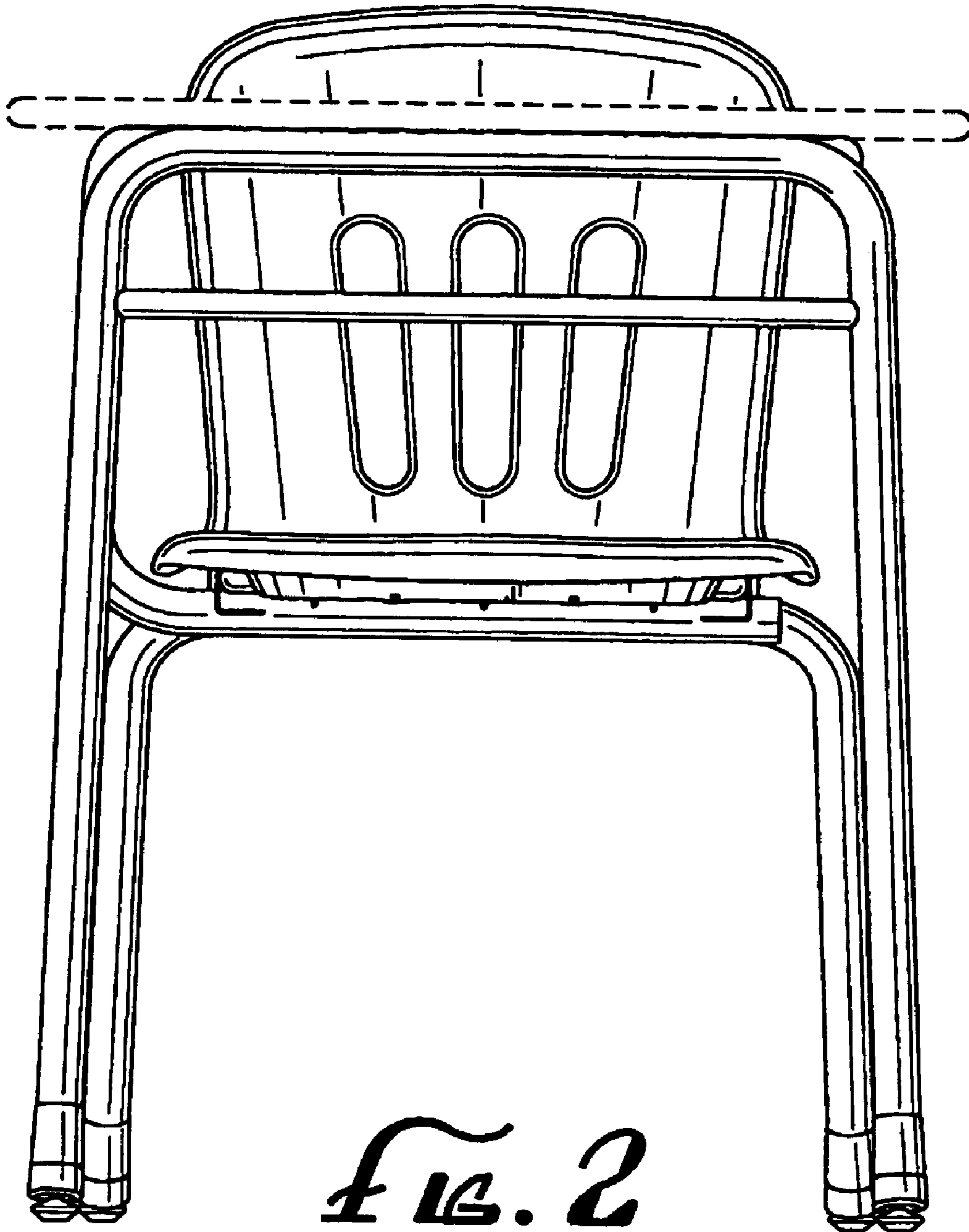
FIG. 7 is a back plan view thereof.

The broken lines are for illustrative purposes only and form  
no part of the claimed design.

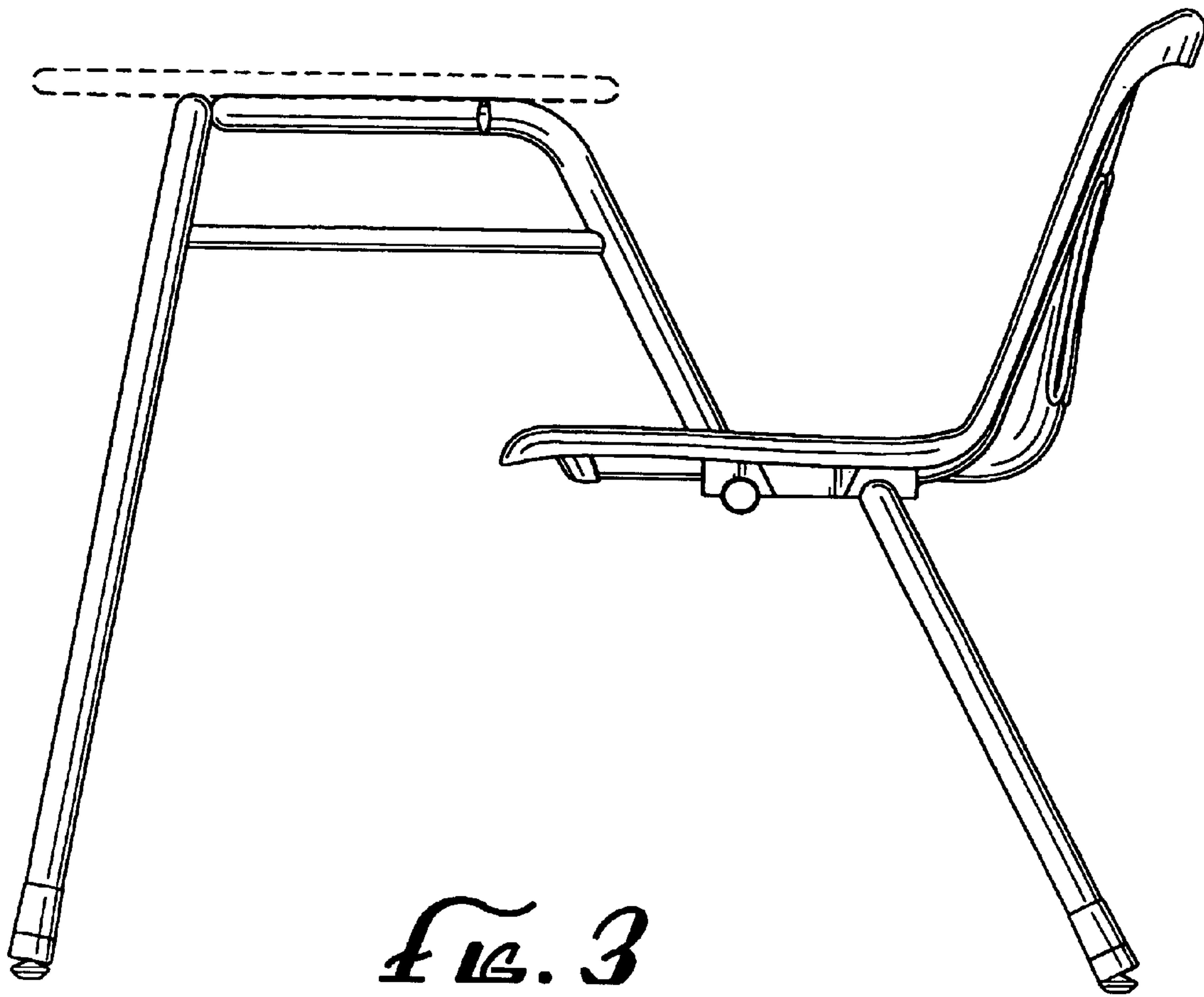
**1 Claim, 6 Drawing Sheets**

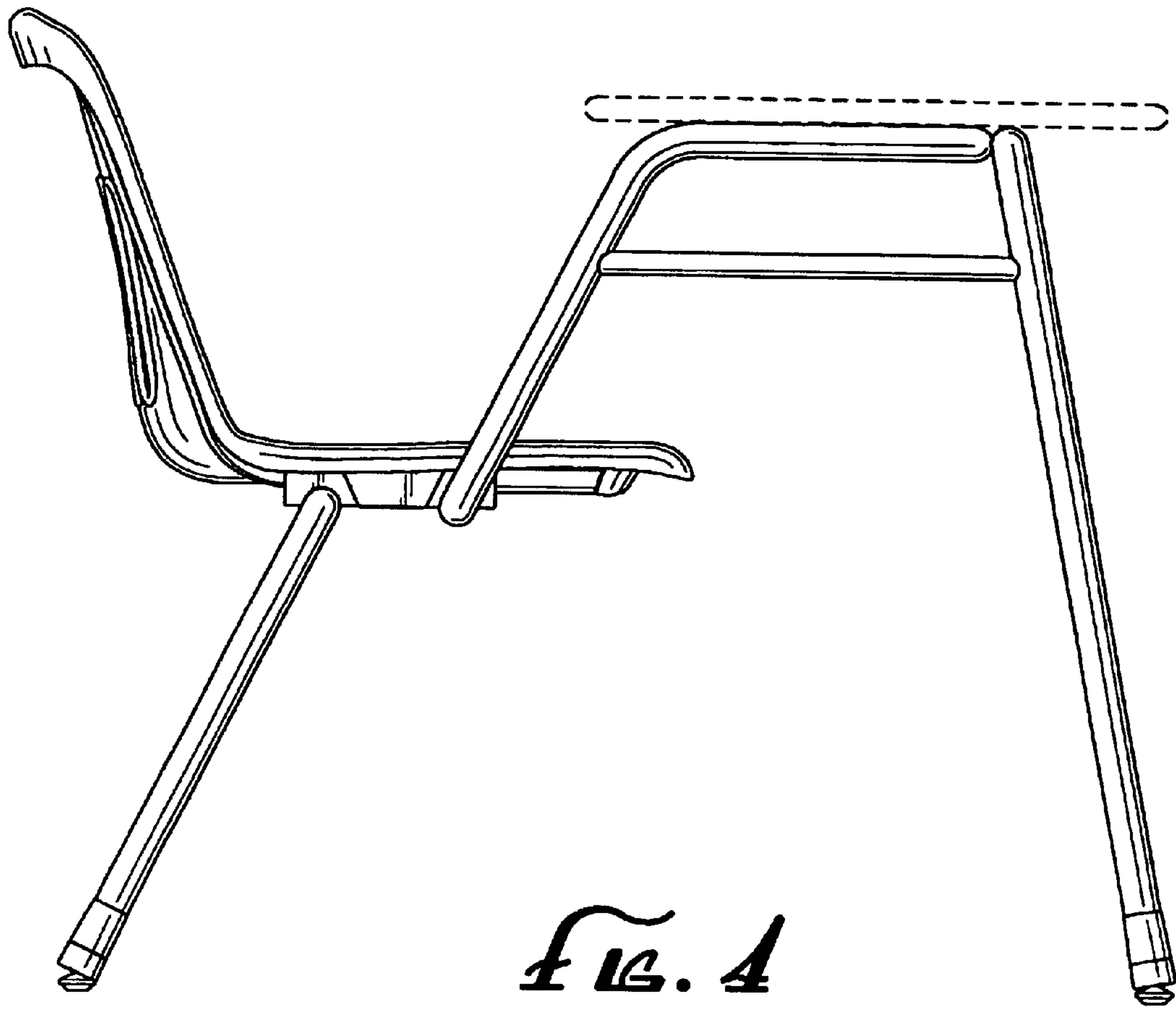






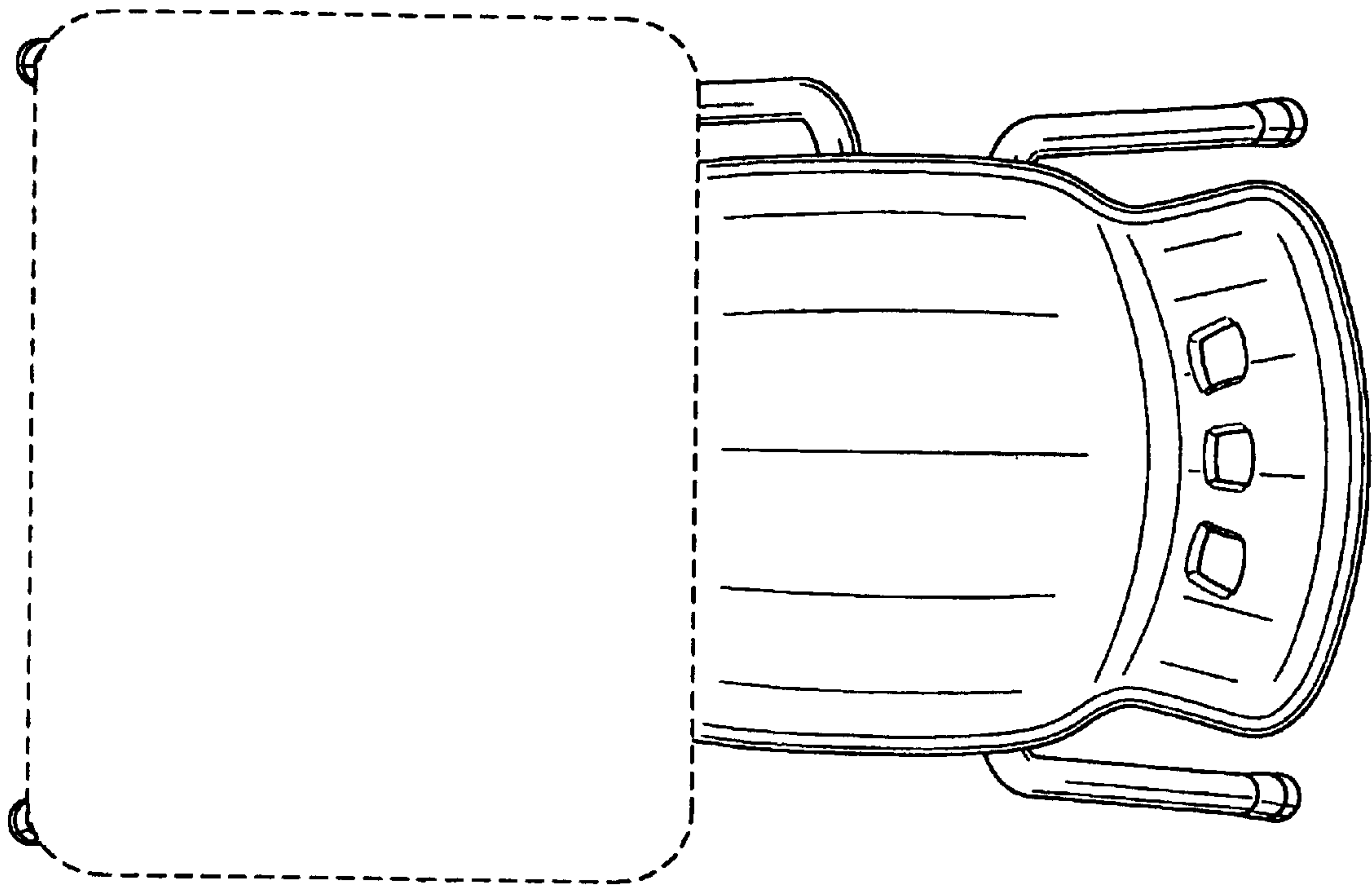
*FIG. 2*



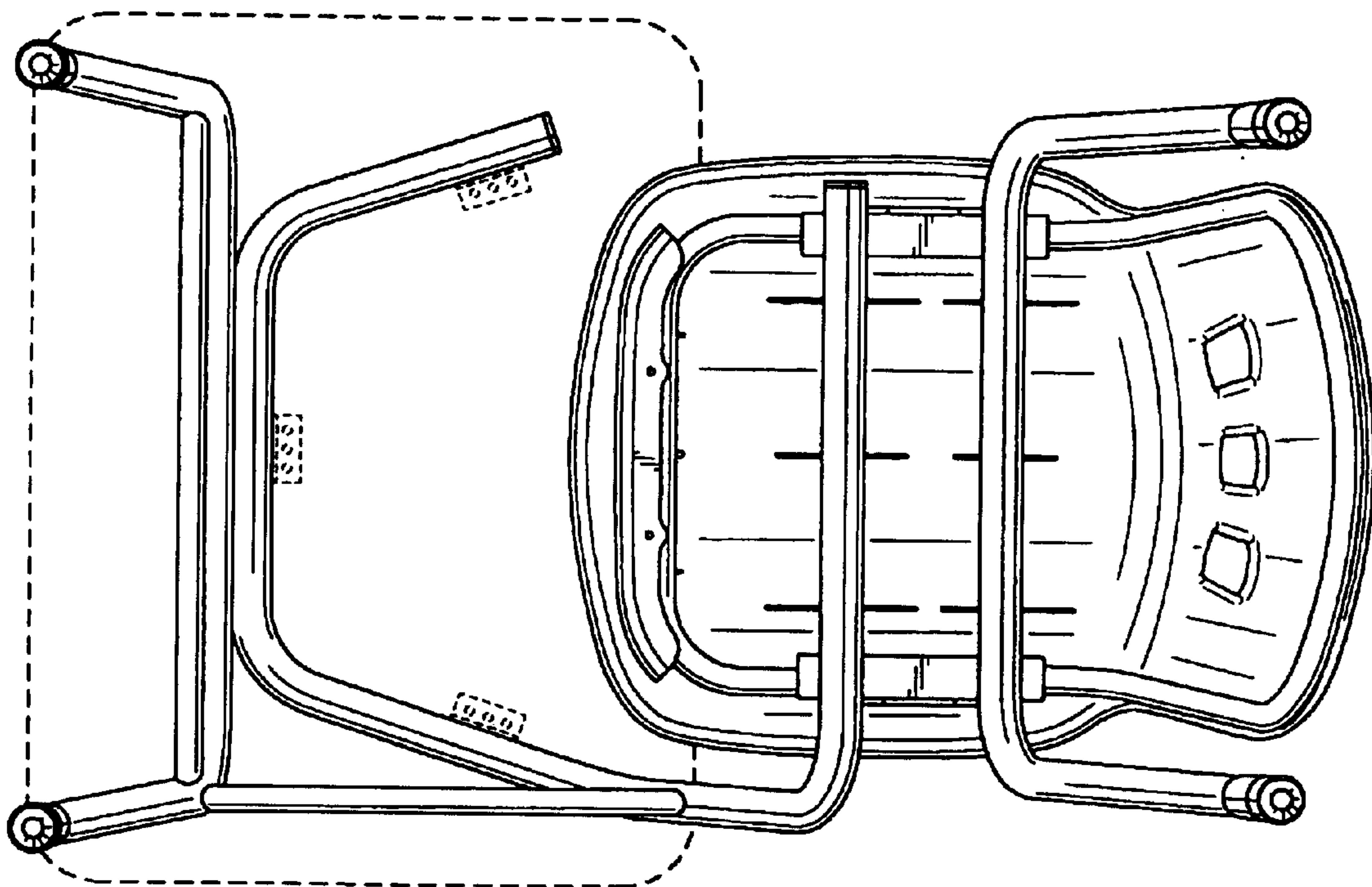


*FIG. 4*





*FIG. 5*



*FIG. 6*

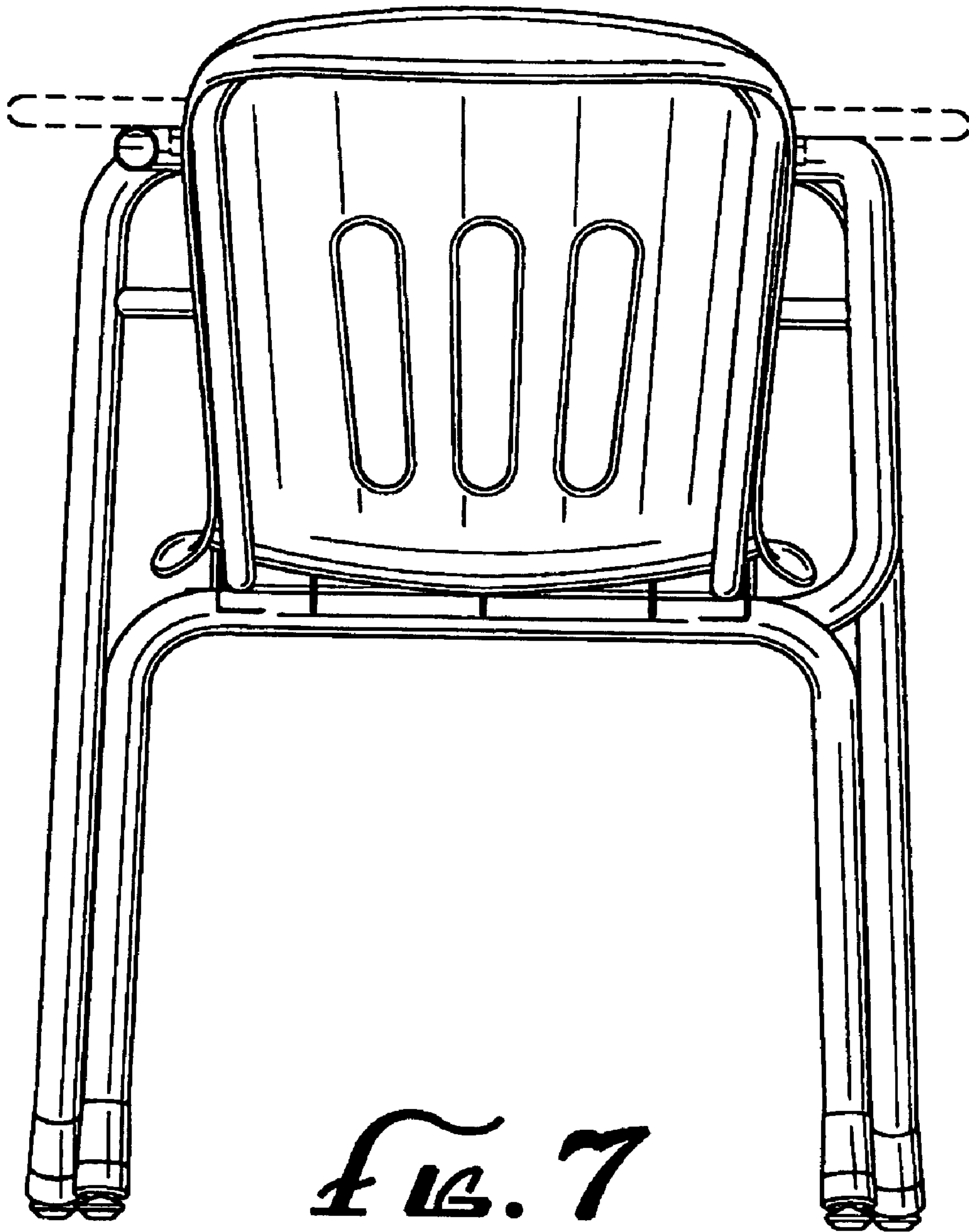


FIG. 7