

US00D542038S

(12) **United States Design Patent**
Tau

(10) **Patent No.:** **US D542,038 S**

(45) **Date of Patent:** **** May 8, 2007**

(54) **ROBE HOOK**

(75) Inventor: **Michael Scott Tau**, Charlotte, NC (US)

(73) Assignee: **Brasstech, Inc.**, Santa Ana, CA (US)

(**) Term: **14 Years**

(21) Appl. No.: **29/248,367**

(22) Filed: **Aug. 11, 2006**

(51) **LOC (8) Cl.** **06-08**

(52) **U.S. Cl.** **D6/323**

(58) **Field of Classification Search** D6/615,
D6/320, 323, 327, 328, 550, 145; D8/354,
D8/367, 372; 223/85-98; 211/13.1, 85.3
See application file for complete search history.

(56) **References Cited**

U.S. PATENT DOCUMENTS

D409,398 S	*	5/1999	Sweetman	D6/323
D442,056 S	*	5/2001	Duggan	D8/323
D453,271 S	*	2/2002	Gilbert et al.	D6/323
D464,812 S	*	10/2002	Yen	D6/323
D465,661 S	*	11/2002	Hoernig	D6/323
D473,451 S	*	4/2003	Goodman et al.	D8/367

D493,094 S	*	7/2004	Goodman et al.	D8/372
D495,590 S	*	9/2004	Goodman et al.	D8/367

* cited by examiner

Primary Examiner—Stella Reid

Assistant Examiner—Shanda C. Hill

(74) *Attorney, Agent, or Firm*—Kwadjo Adusei-Poku;
Lloyd D. Doigan

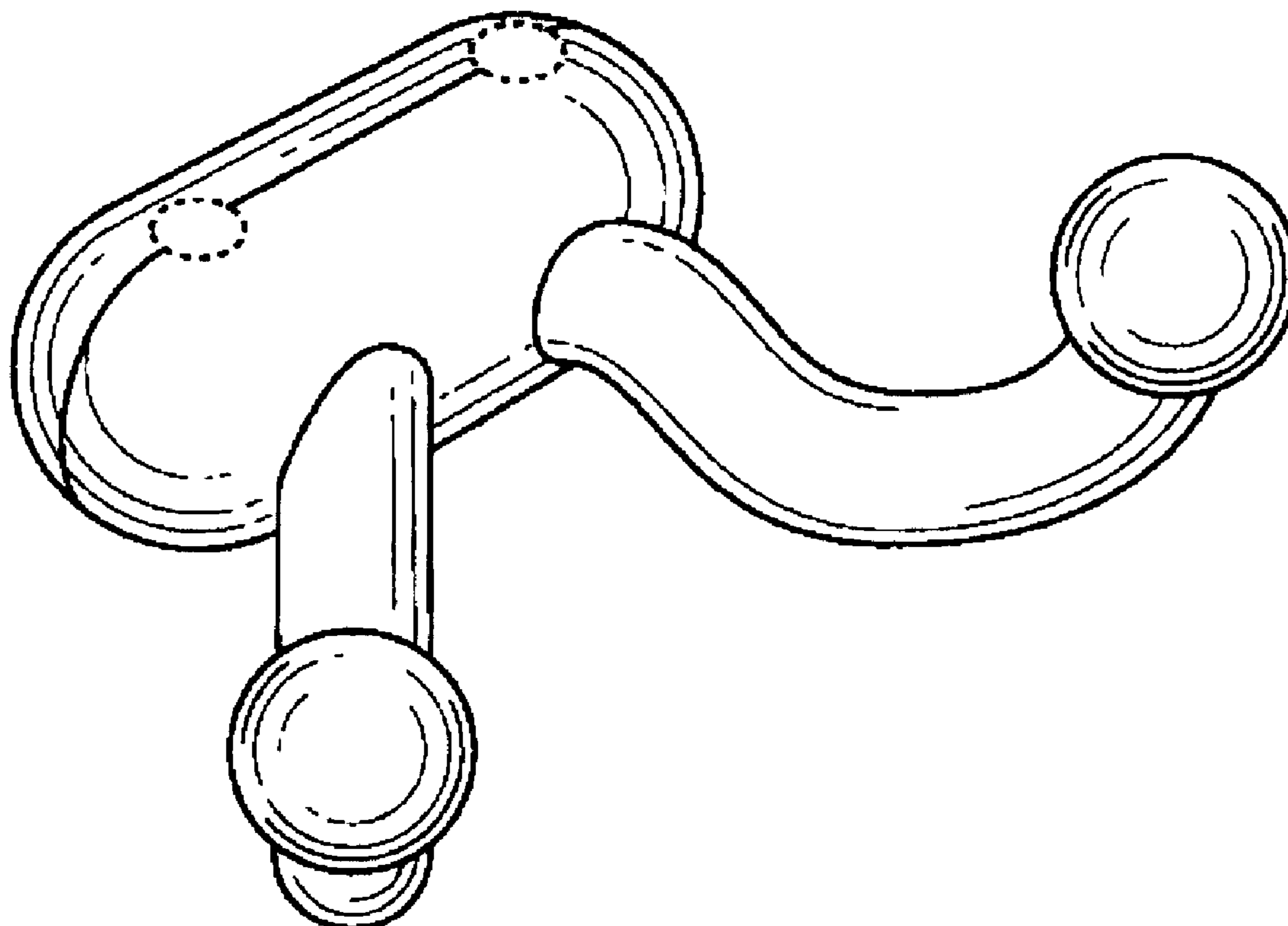
(57) **CLAIM**

The ornamental design for a robe hook, as shown and described.

DESCRIPTION

FIG. 1 is a front perspective view of a robe hook showing my design;
FIG. 2 is a front elevational view thereof;
FIG. 3 is a top plan view thereof;
FIG. 4 is a right side elevational view thereof;
FIG. 5 is a left side elevational view thereof; and,
FIG. 6 is a bottom plan view thereof.
The broken lines shown in the drawing disclosure are for illustrative purposes only and form no part of the claimed design.

1 Claim, 2 Drawing Sheets



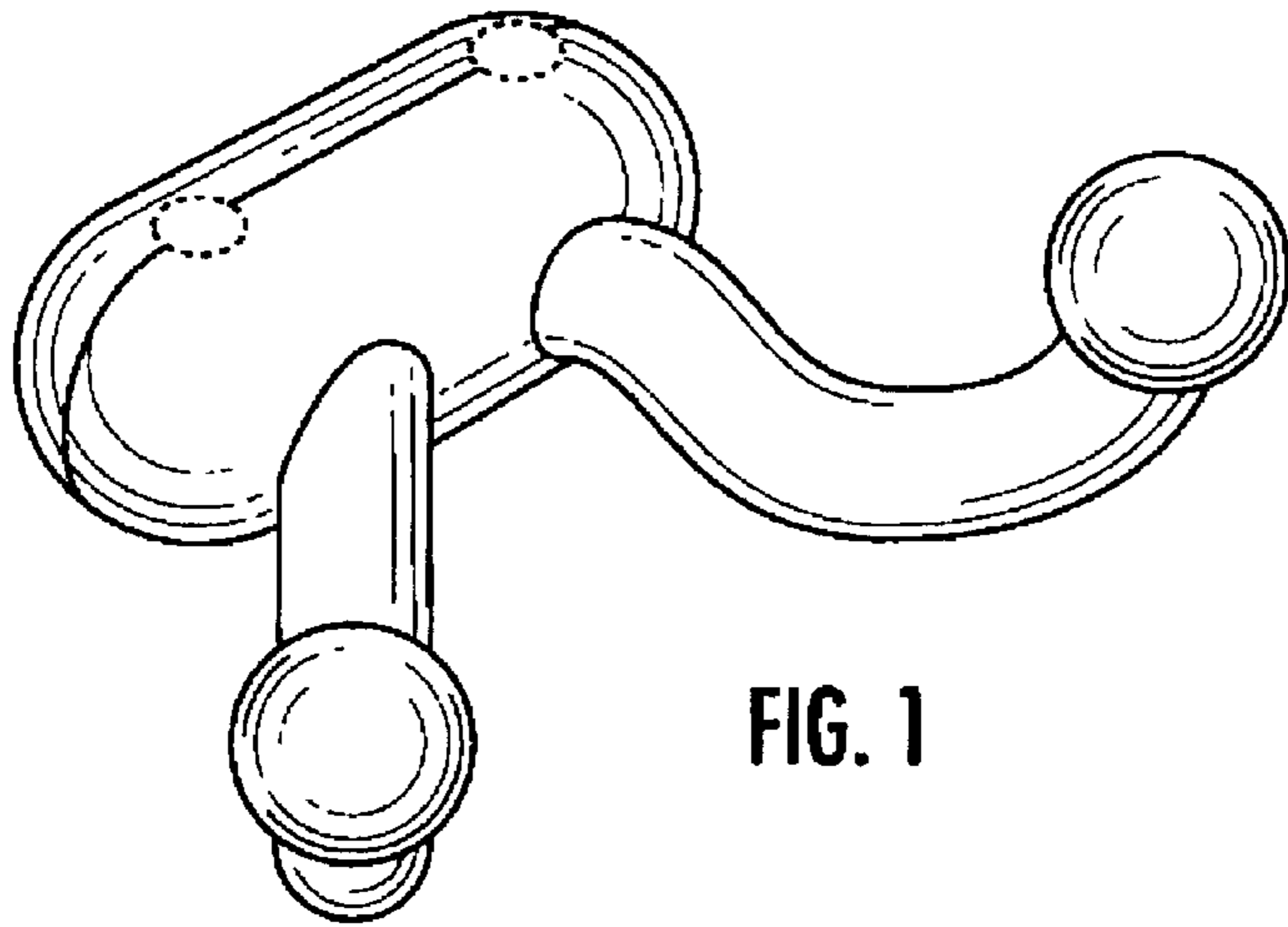


FIG. 1

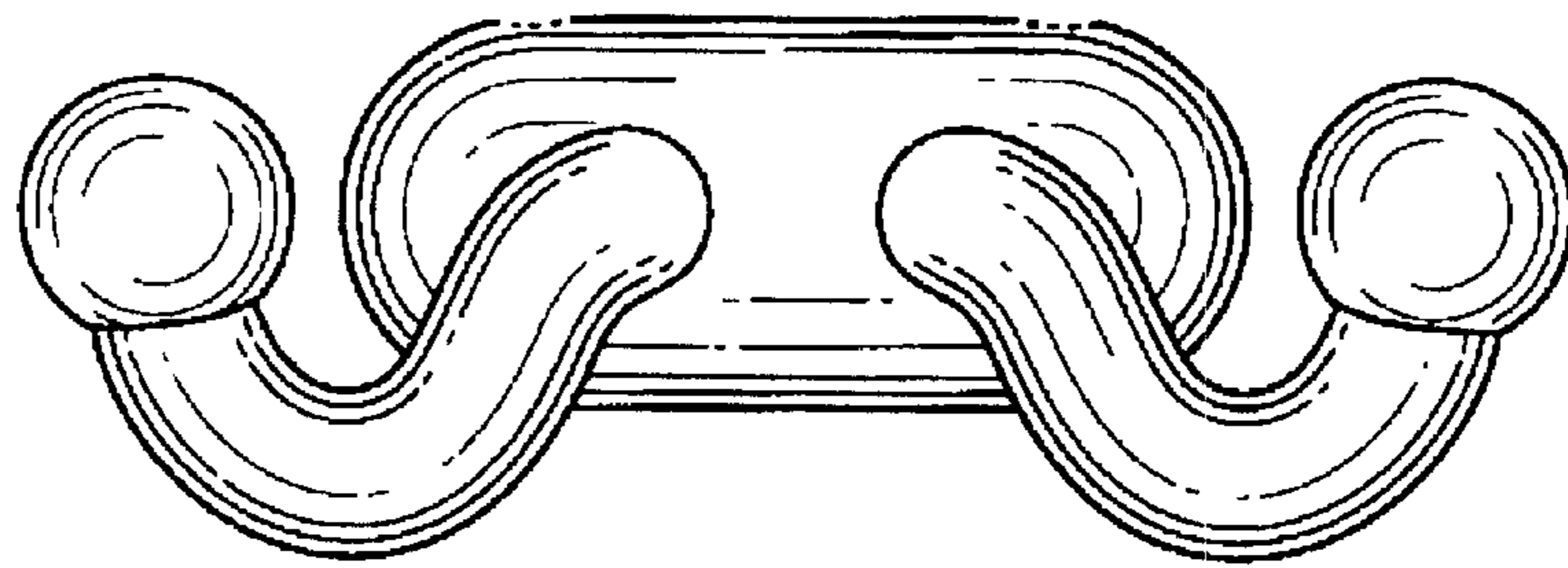


FIG. 2

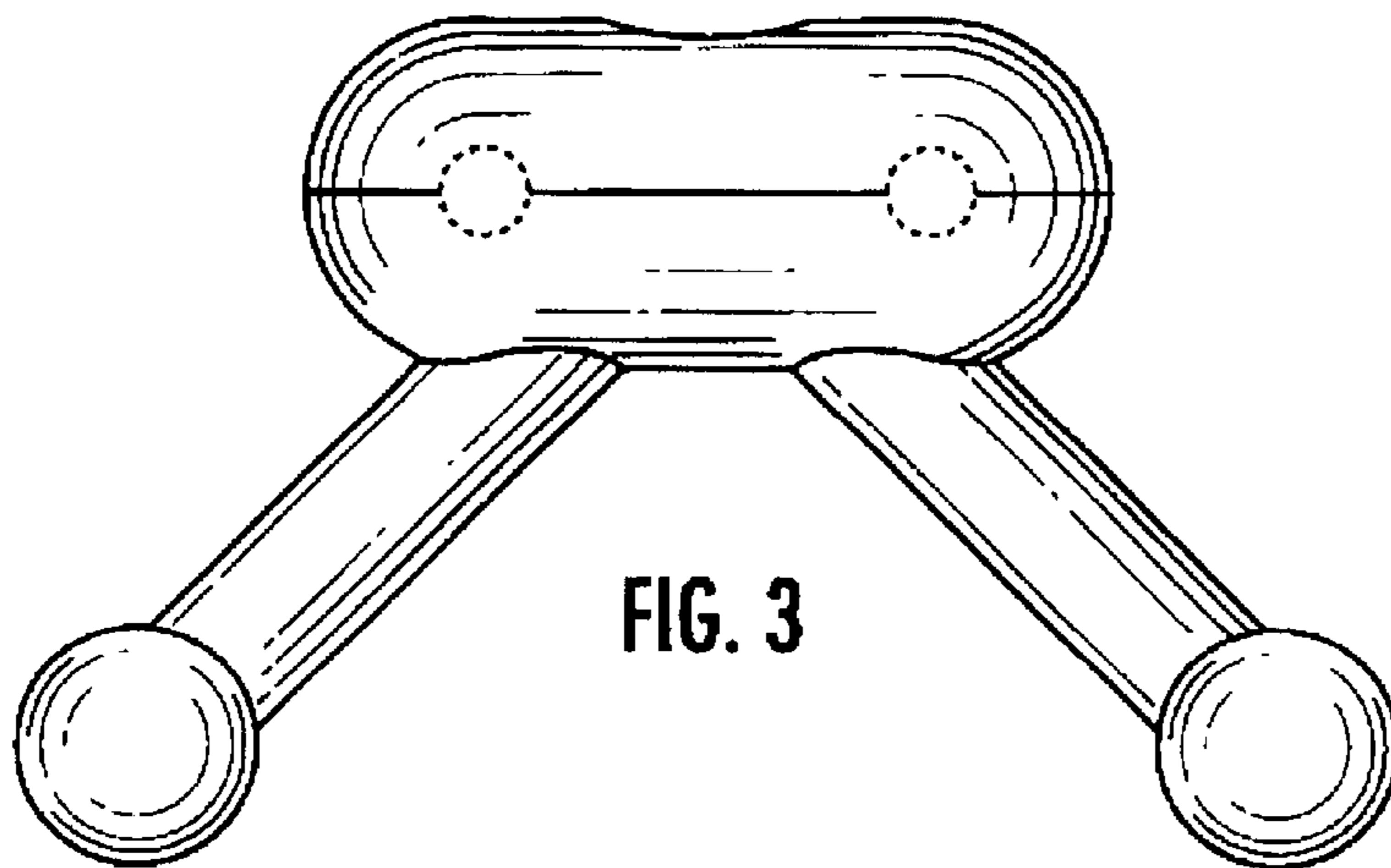


FIG. 3

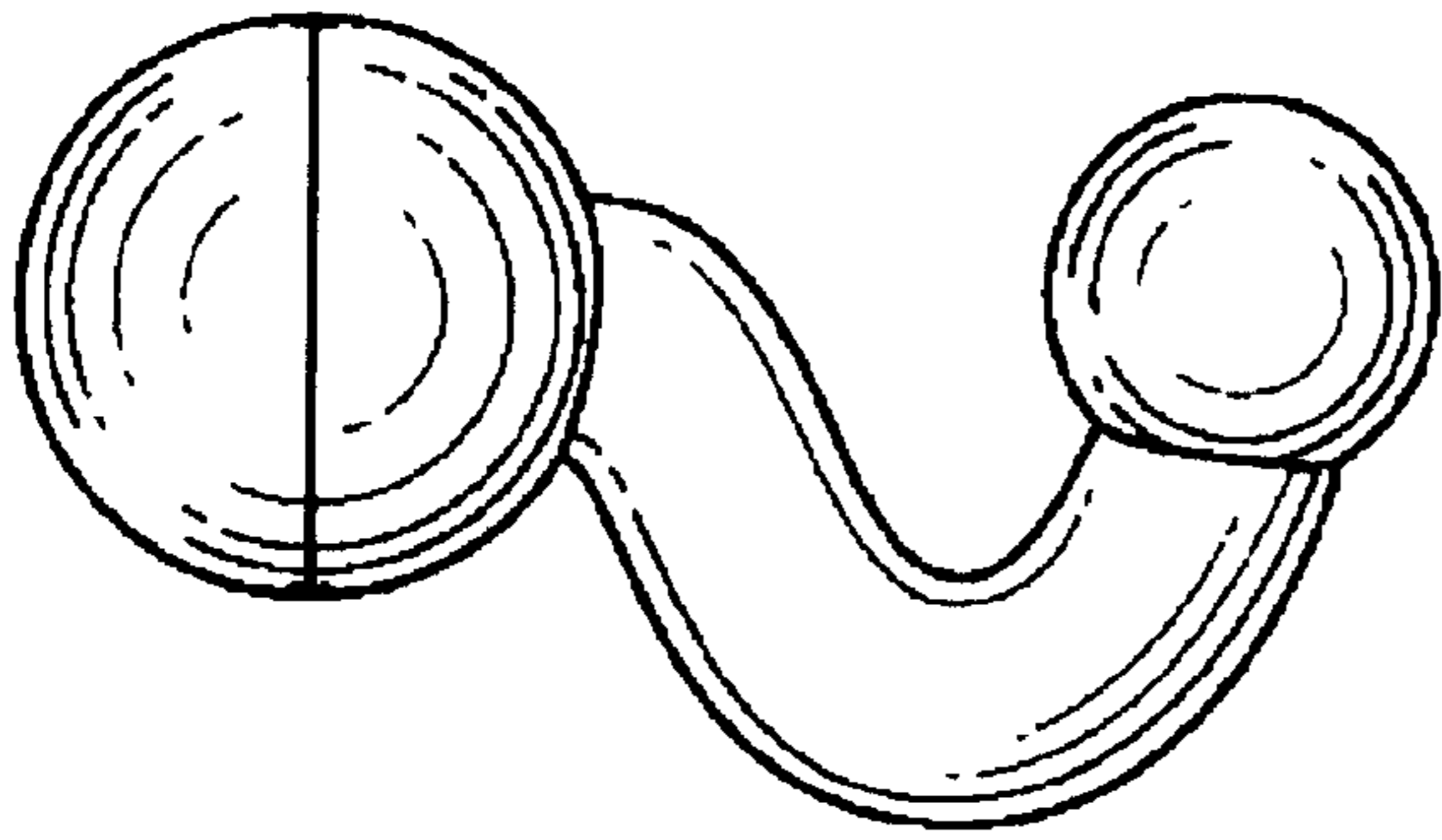


FIG. 4

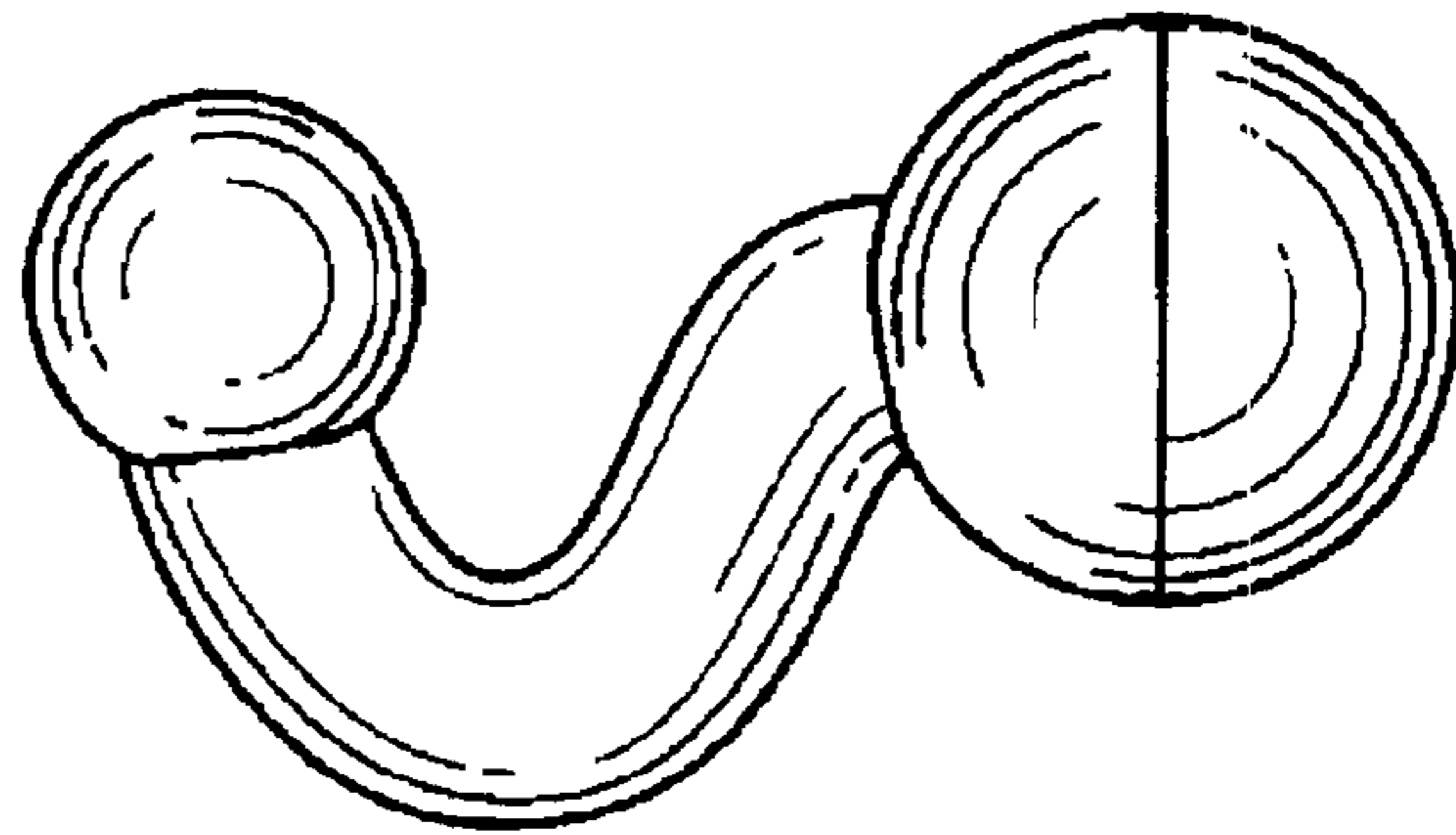


FIG. 5

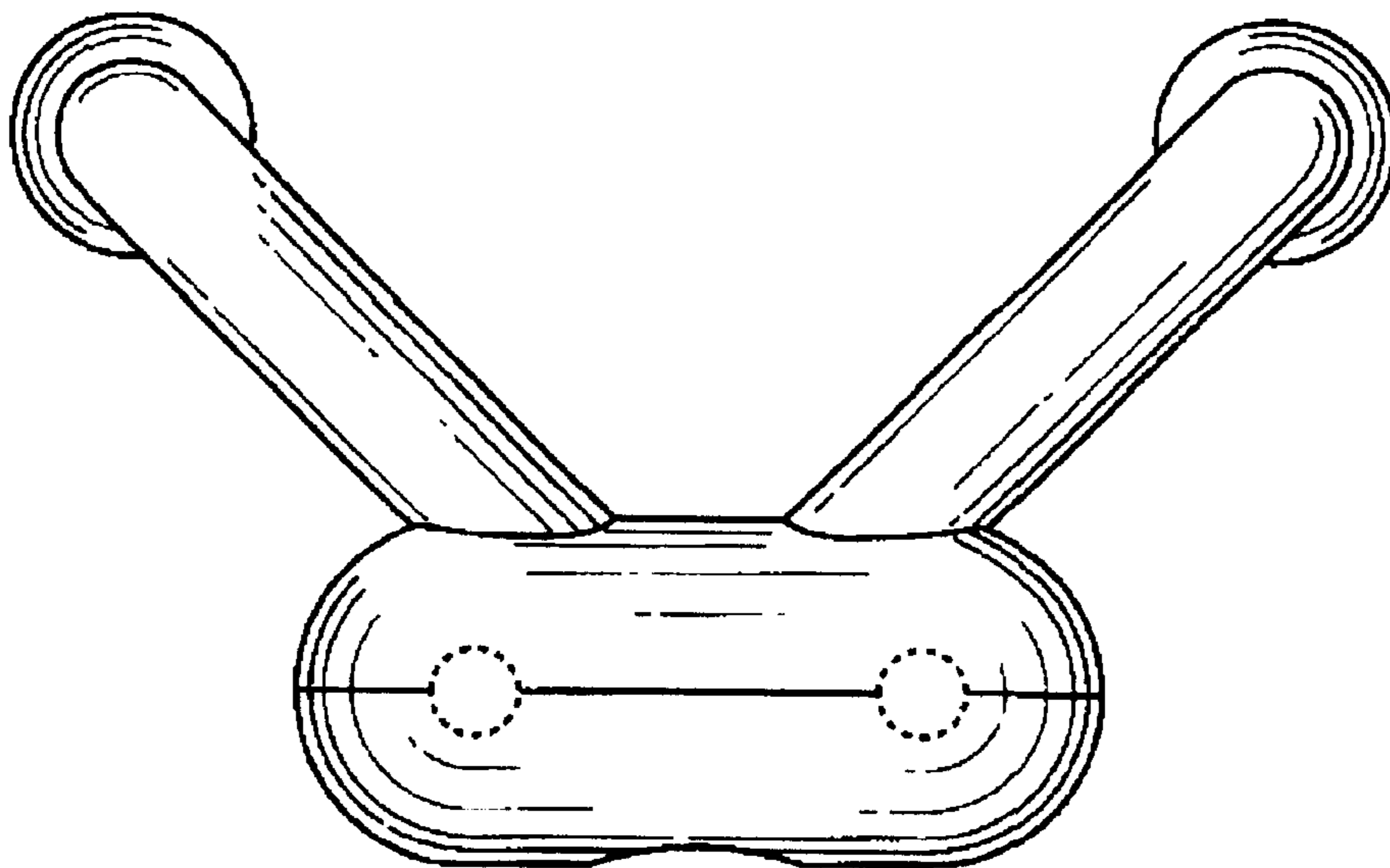


FIG. 6