



US00D542035S

(12) **United States Design Patent**
Barnes, Jr. et al.

(10) **Patent No.:** **US D542,035 S**

(45) **Date of Patent:** **** May 8, 2007**

(54) **SNOW BRUSH HEAD**

(75) Inventors: **Jimmie Barnes, Jr.**, Emporia, KS (US);
David Ihde, Osage City, KS (US)

(73) Assignee: **Hopkins Manufacturing Corporation**,
Emporia, KS (US)

(**) Term: **14 Years**

(21) Appl. No.: **29/248,508**

(22) Filed: **Aug. 18, 2006**

(51) **LOC (8) Cl.** **04-01**

(52) **U.S. Cl.** **D4/118; D32/42**

(58) **Field of Classification Search** D4/118,
D4/121, 134, 138; D32/42, 46, 49; 15/111,
15/117, 236.01, 236.02, 236.05, 236.06, 236.07,
15/236.08, 236.09

See application file for complete search history.

(56) **References Cited**

U.S. PATENT DOCUMENTS

D232,299 S * 8/1974 Epstein D4/118
D305,963 S * 2/1990 Brinker et al. D4/118

4,908,900 A * 3/1990 McLaughlin et al. 15/111
5,020,181 A * 6/1991 Leonard 15/105
6,990,705 B1 * 1/2006 Schouten et al. 15/111

* cited by examiner

Primary Examiner—Alan P. Douglas

Assistant Examiner—Lavone D. Tabor

(74) *Attorney, Agent, or Firm*—George R. McGuire; Bond,
Schoeneck & King, PLLC

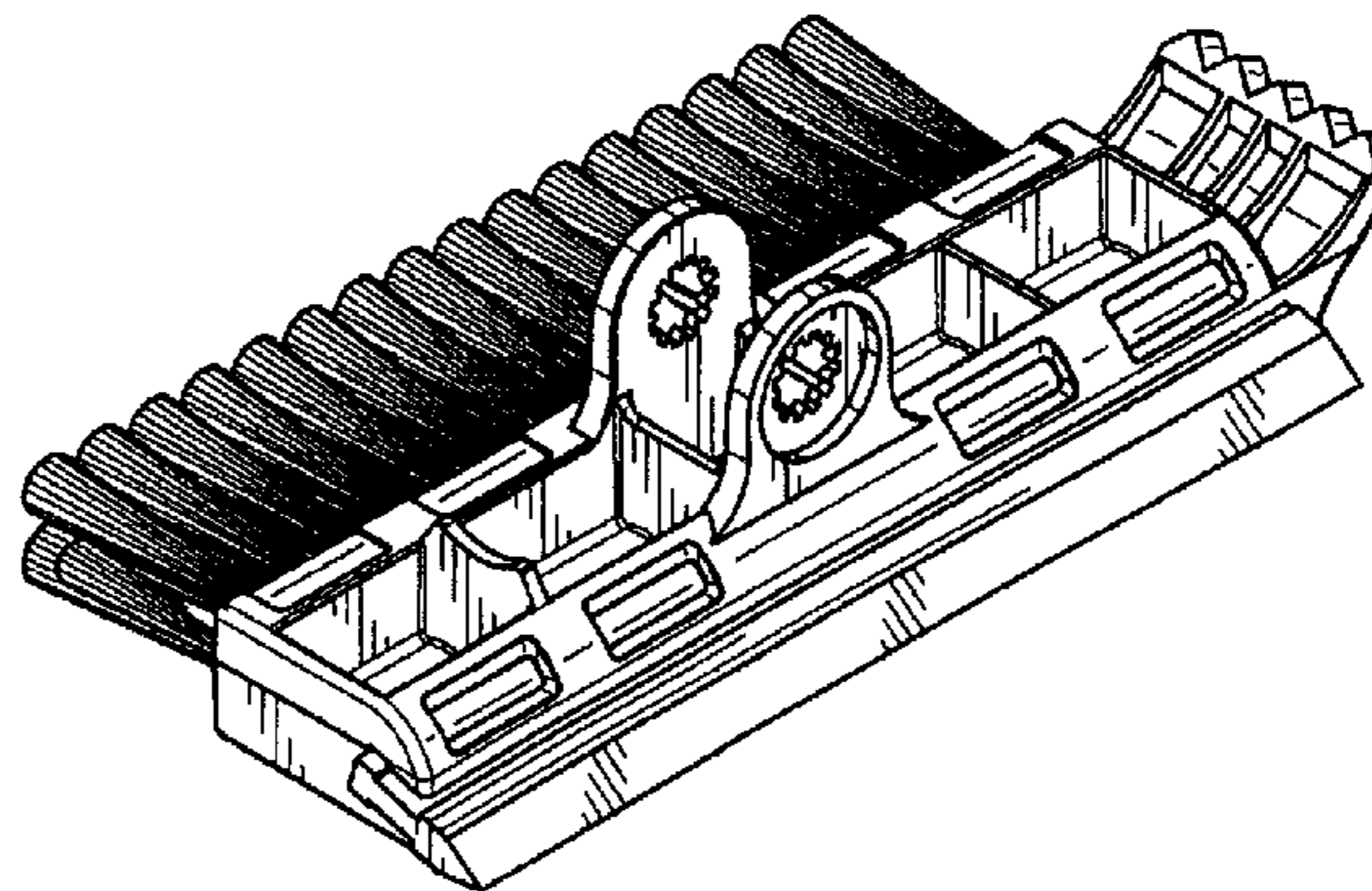
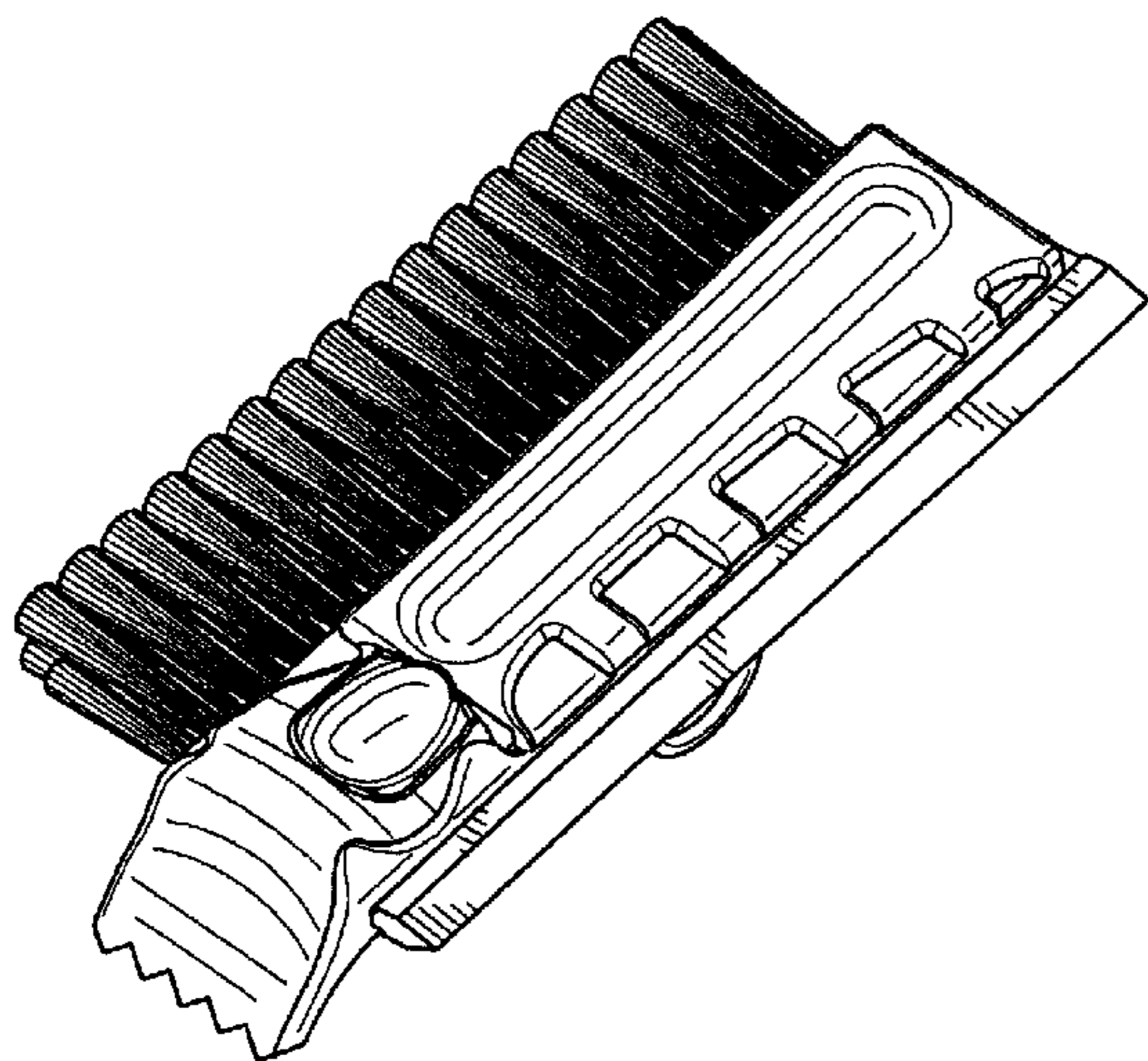
(57) **CLAIM**

The ornamental design for a snow brush head, as shown and described.

DESCRIPTION

FIG. 1 is a top perspective view of a new and ornamental design of a snow brush head;
FIG. 2 is a bottom perspective view thereof;
FIG. 3 is a top plan view thereof;
FIG. 4 is a first side elevation view thereof;
FIG. 5 is a bottom plan view thereof;
FIG. 6 is a second side elevation view thereof;
FIG. 7 is a front elevation view thereof; and,
FIG. 8 is a rear elevation thereof.

1 Claim, 2 Drawing Sheets



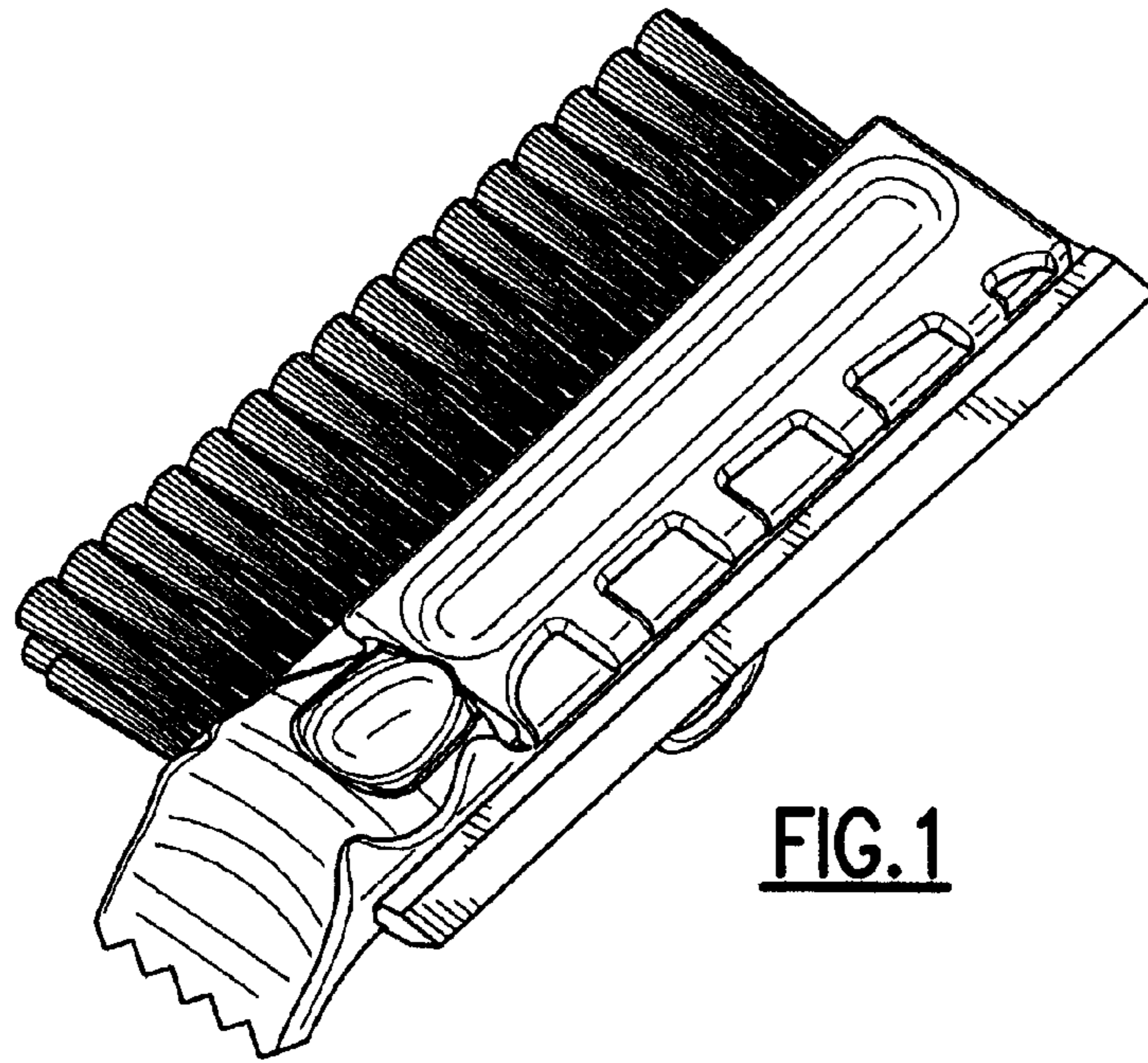


FIG. 1

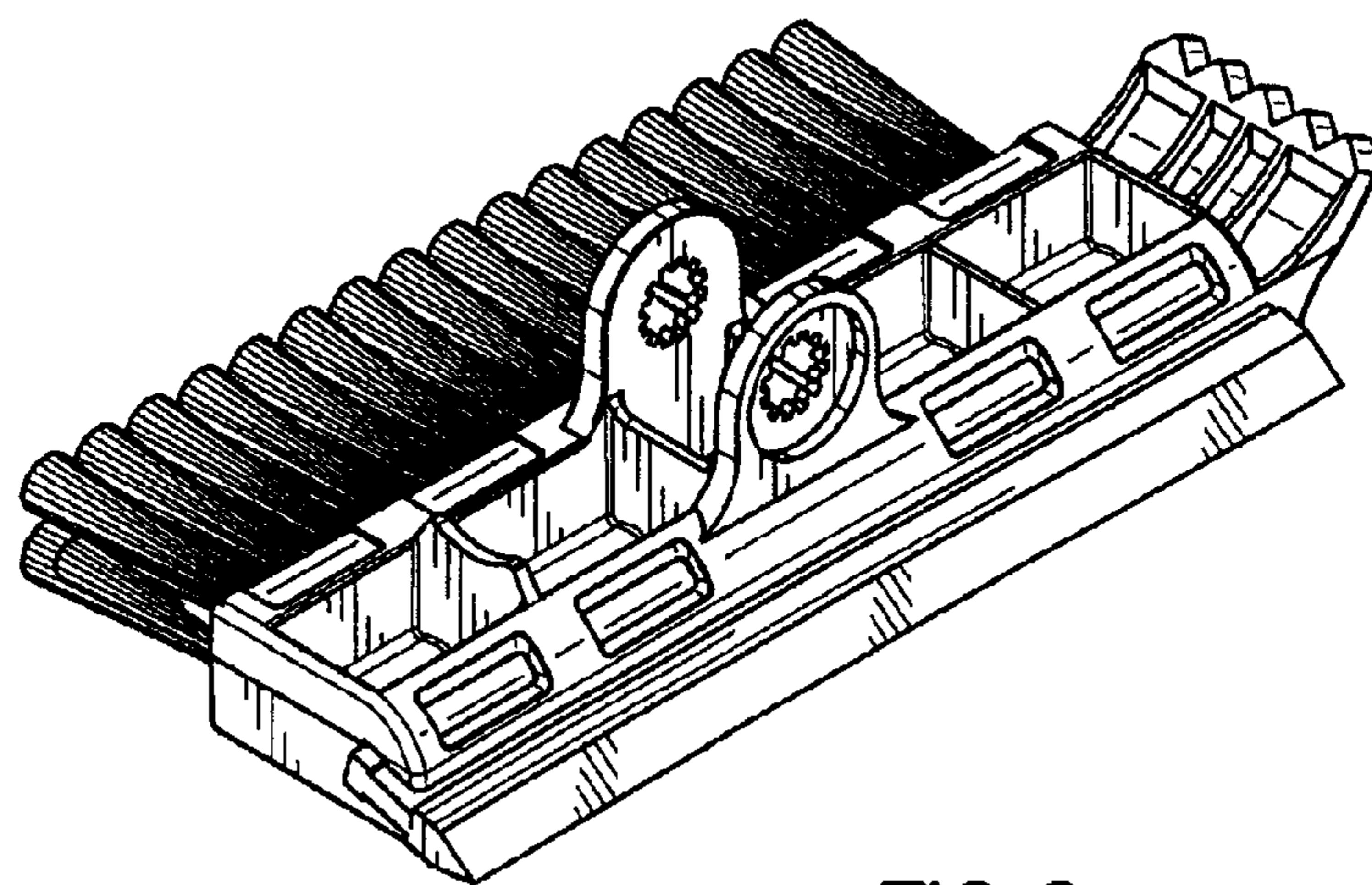


FIG. 2

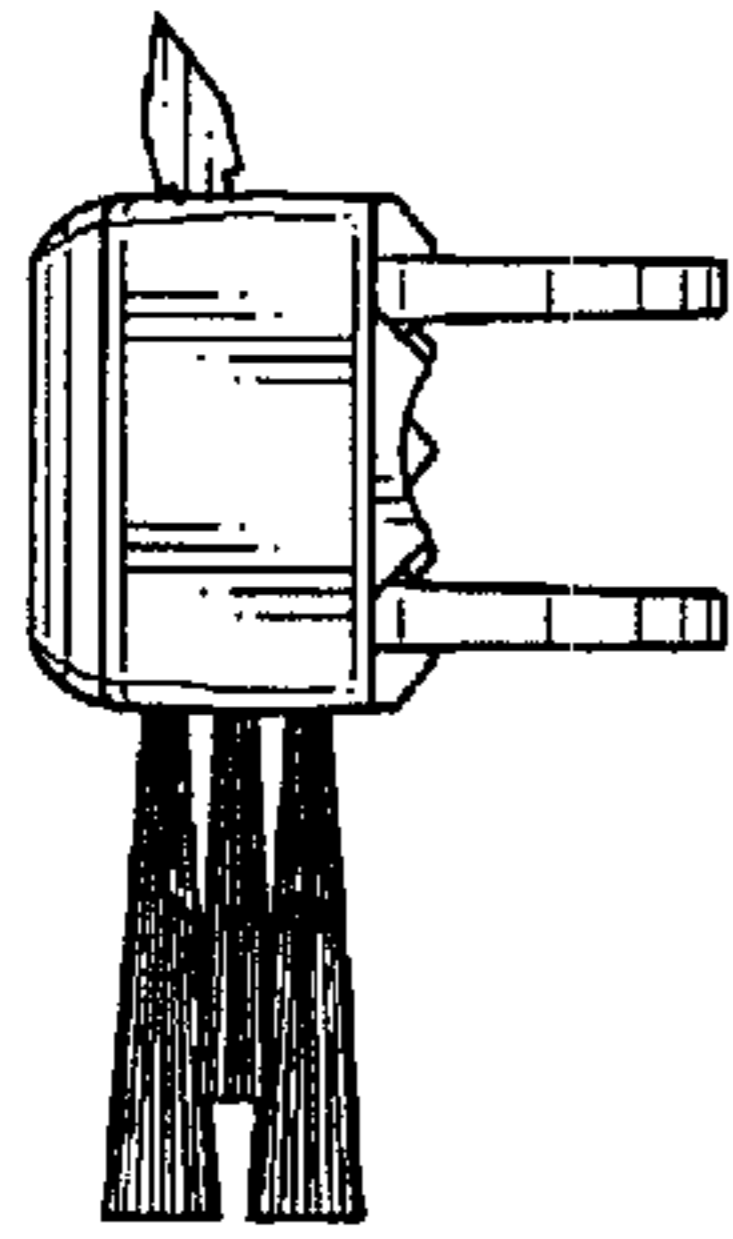


FIG. 7

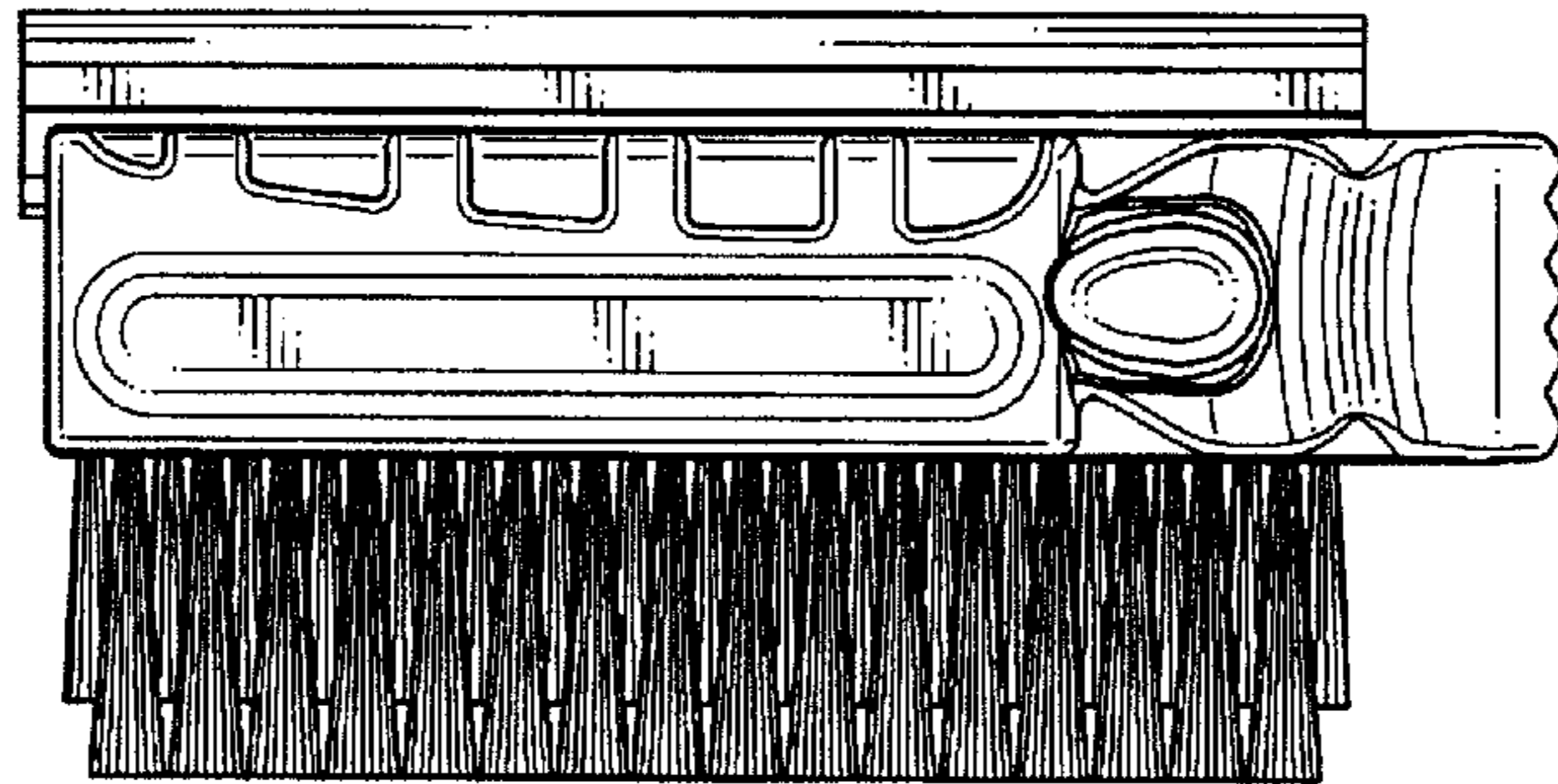


FIG. 3

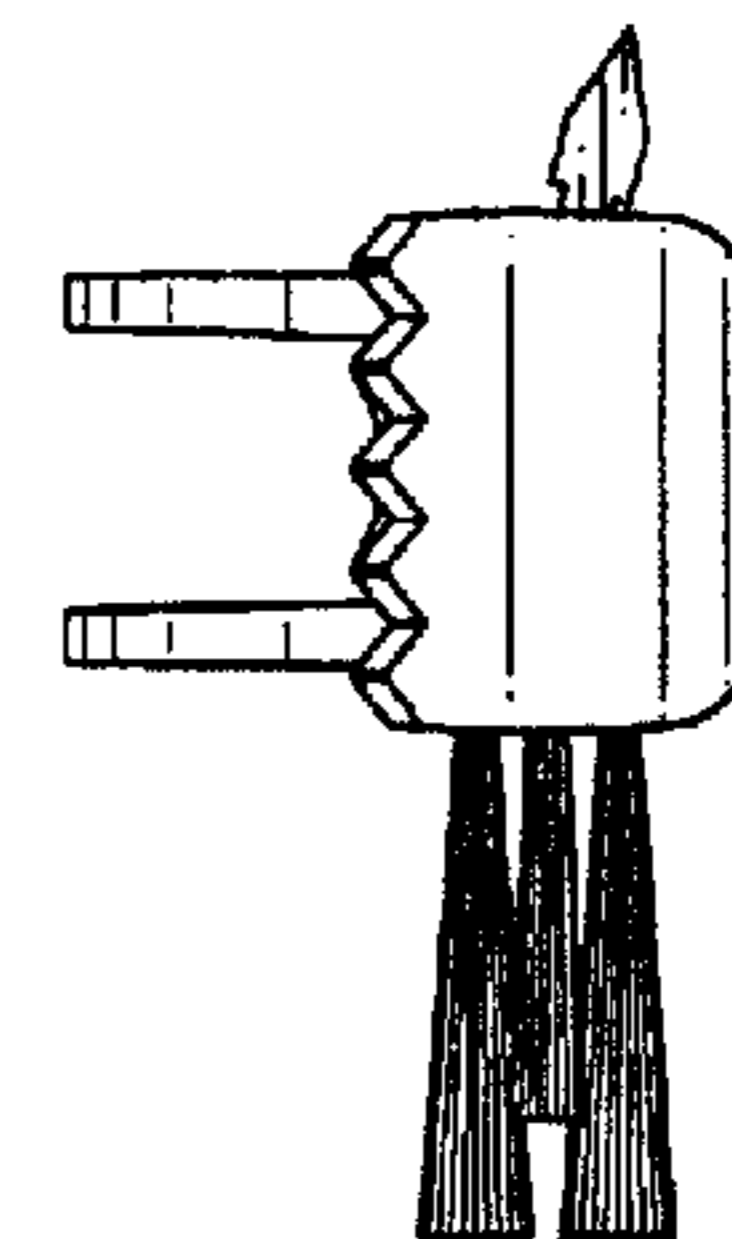


FIG. 8

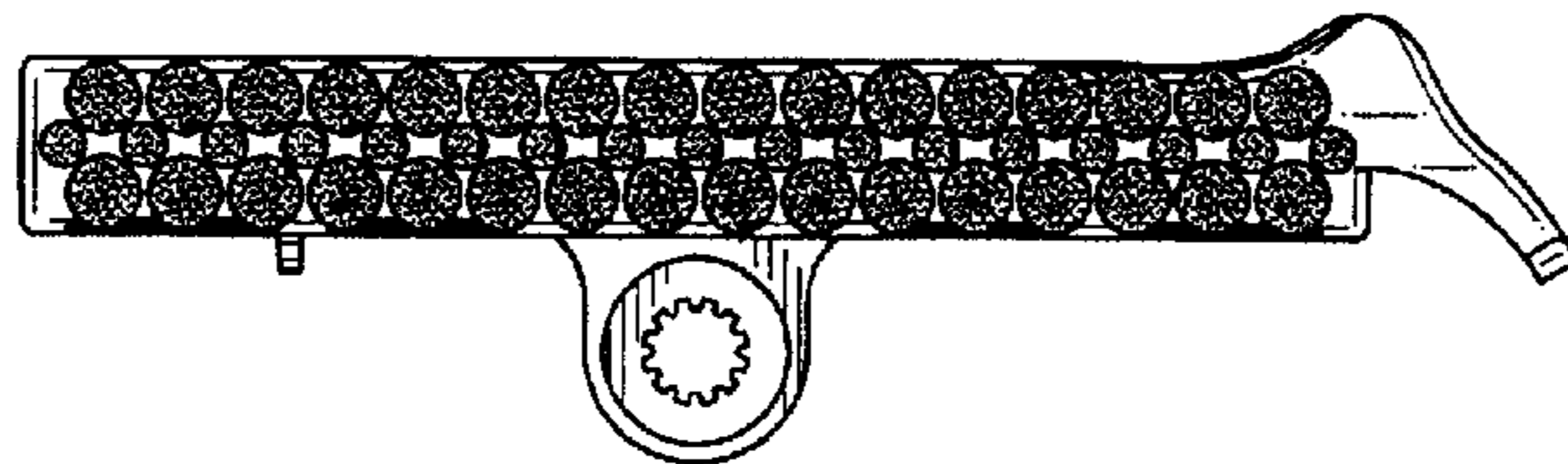


FIG. 4

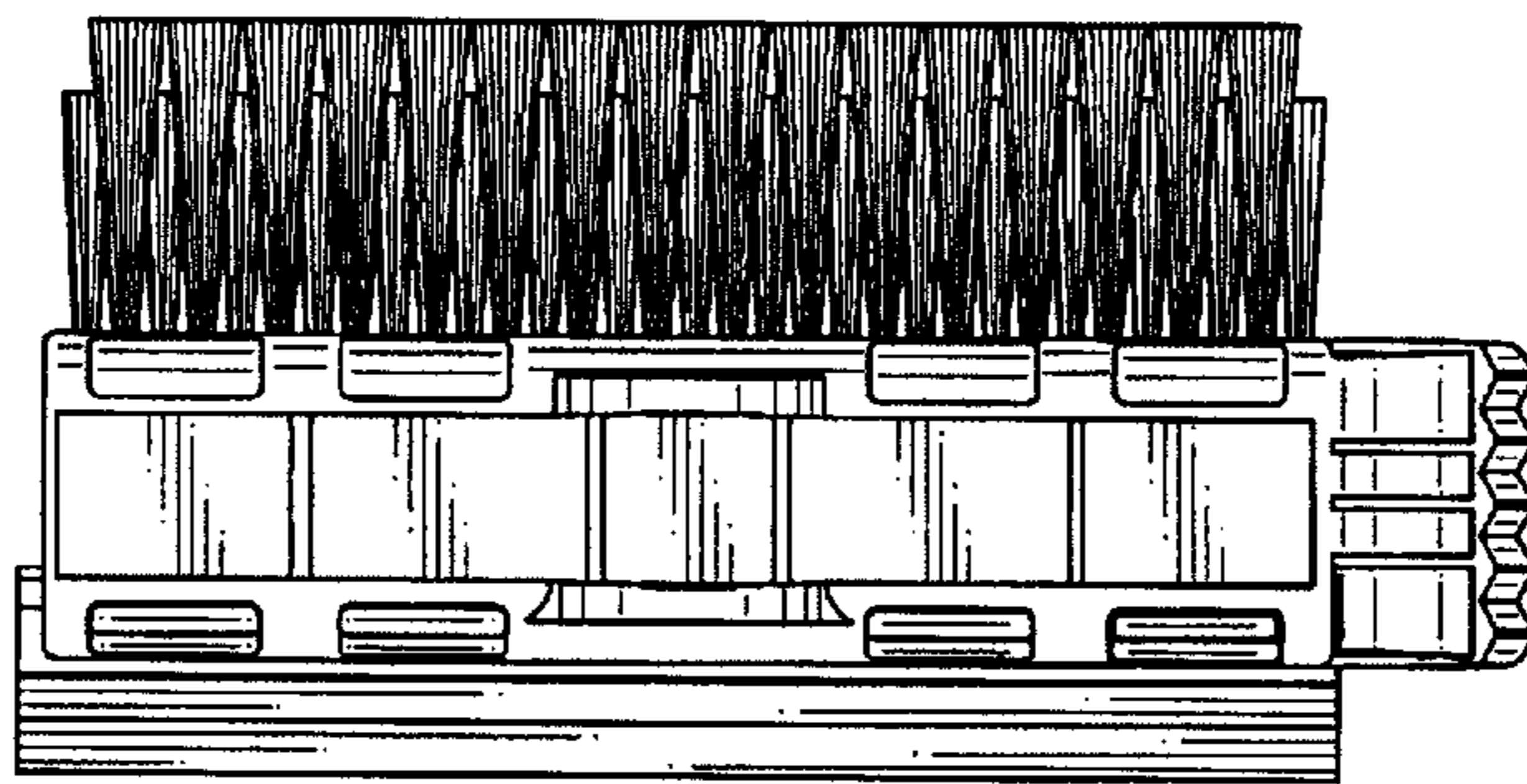


FIG. 5

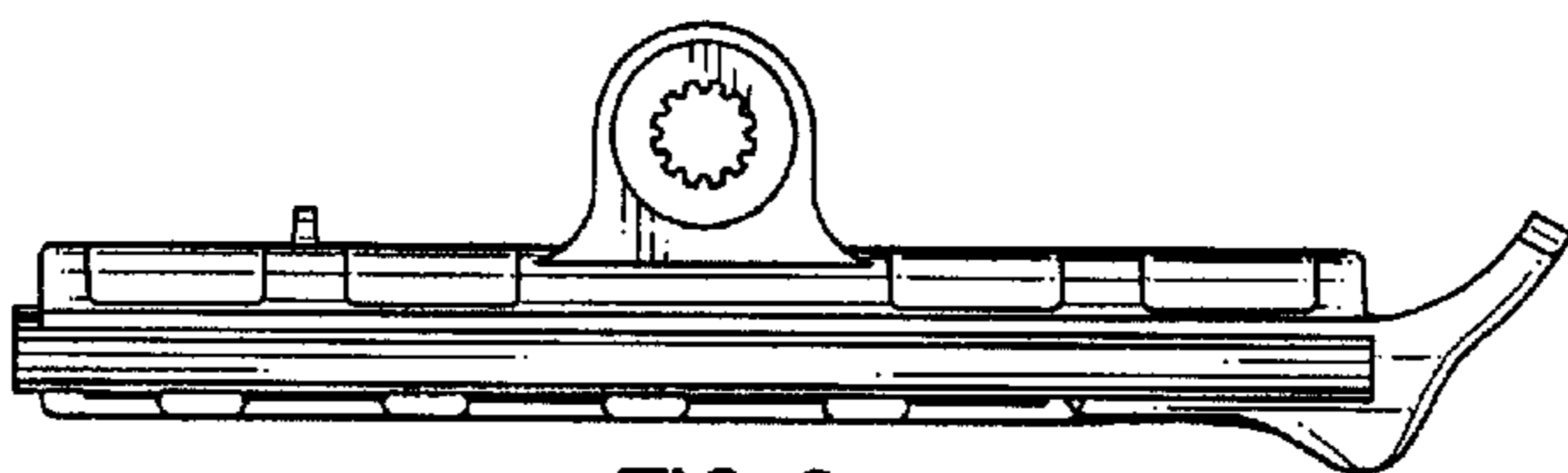


FIG. 6