



US00D542034S

(12) **United States Design Patent**  
**Romano**

(10) **Patent No.:** **US D542,034 S**

(45) **Date of Patent:** **\*\* May 8, 2007**

(54) **TOOL CADDY**

(76) Inventor: **Bernard Romano**, 26 Joicey Blvd.,  
Toronto, Ontario M5M 2S7 (CA)

(\*\*) Term: **14 Years**

(21) Appl. No.: **29/254,581**

(22) Filed: **Feb. 27, 2006**

(30) **Foreign Application Priority Data**

Aug. 25, 2005 (CA) ..... 112424

(51) **LOC (8) Cl.** ..... **03-01**

(52) **U.S. Cl.** ..... **D3/315; D3/201; D25/68**

(58) **Field of Classification Search** ..... D3/212,  
D3/315, 293, 203.1, 203.3, 203.7, 259, 286,  
D3/304, 903, 901, 905, 316, 206, 305, 311,  
D3/312, 314, 201, 303, 306, 313, 318; D32/53;  
D19/77, 75, 80, 81, 82, 84, 85; 294/158,  
294/159, 161, 137, 140; 206/38, 214, 215;  
220/500

See application file for complete search history.

(56) **References Cited**

**U.S. PATENT DOCUMENTS**

D152,167 S	*	12/1948	Montague	.....	D3/309
D171,199 S	*	12/1953	Edwards	.....	D23/202
D241,683 S	*	9/1976	Mark	.....	D28/76
D248,441 S	*	7/1978	Bausch	.....	D7/635
D261,583 S	*	11/1981	Labasan	.....	D6/476
4,541,539 A	*	9/1985	Matthews	.....	220/555
D286,574 S	*	11/1986	McMillin	.....	D25/68
D412,057 S	*	7/1999	Brown	.....	D3/206

D422,788 S	*	4/2000	Carr	.....	D3/309
D502,790 S	*	3/2005	Joseph	.....	D32/35
D524,052 S	*	7/2006	Schley	.....	D3/315
D525,032 S	*	7/2006	Jones	.....	D3/315

\* cited by examiner

*Primary Examiner*—Louis S. Zarfaz

*Assistant Examiner*—Anna Dworzecka

(74) *Attorney, Agent, or Firm*—Dimock Stratton LLP;  
Adrian N. Kaplan

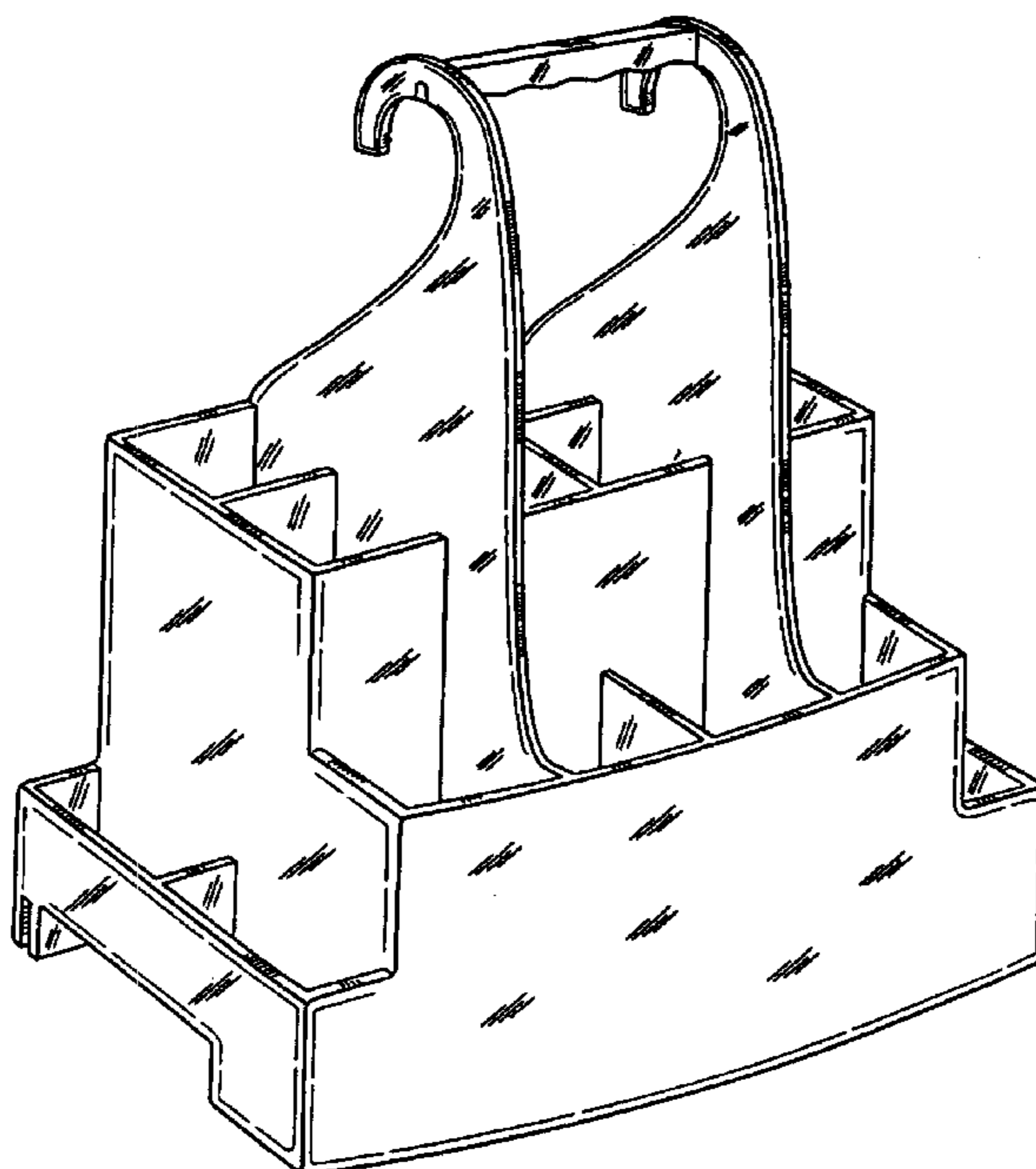
(57) **CLAIM**

The ornamental design for a tool caddy, as shown and described.

**DESCRIPTION**

FIG. 1 is a top perspective view of the tool caddy.  
 FIG. 2 is a front elevation view of the tool caddy.  
 FIG. 3 is a rear perspective view of the paint tool caddy.  
 FIG. 4 is a rear elevation view of the paint tool caddy.  
 FIG. 5 is a left side elevation view of the tool caddy, the right elevational view being a mirror image thereof.  
 FIG. 6 is a top elevation view of the tool caddy.  
 FIG. 7 is a bottom view of the tool caddy.  
 FIG. 8 is a perspective view of the tool caddy on an extension ladder rung; and,  
 FIG. 9 is a perspective view of the tool caddy on a stepladder step.  
 The extension ladder rung shown in stippled lines in FIG. 8 and the stepladder step shown in stippled lines in FIG. 9 do not form part of the design and are present to show environment only.

**1 Claim, 4 Drawing Sheets**



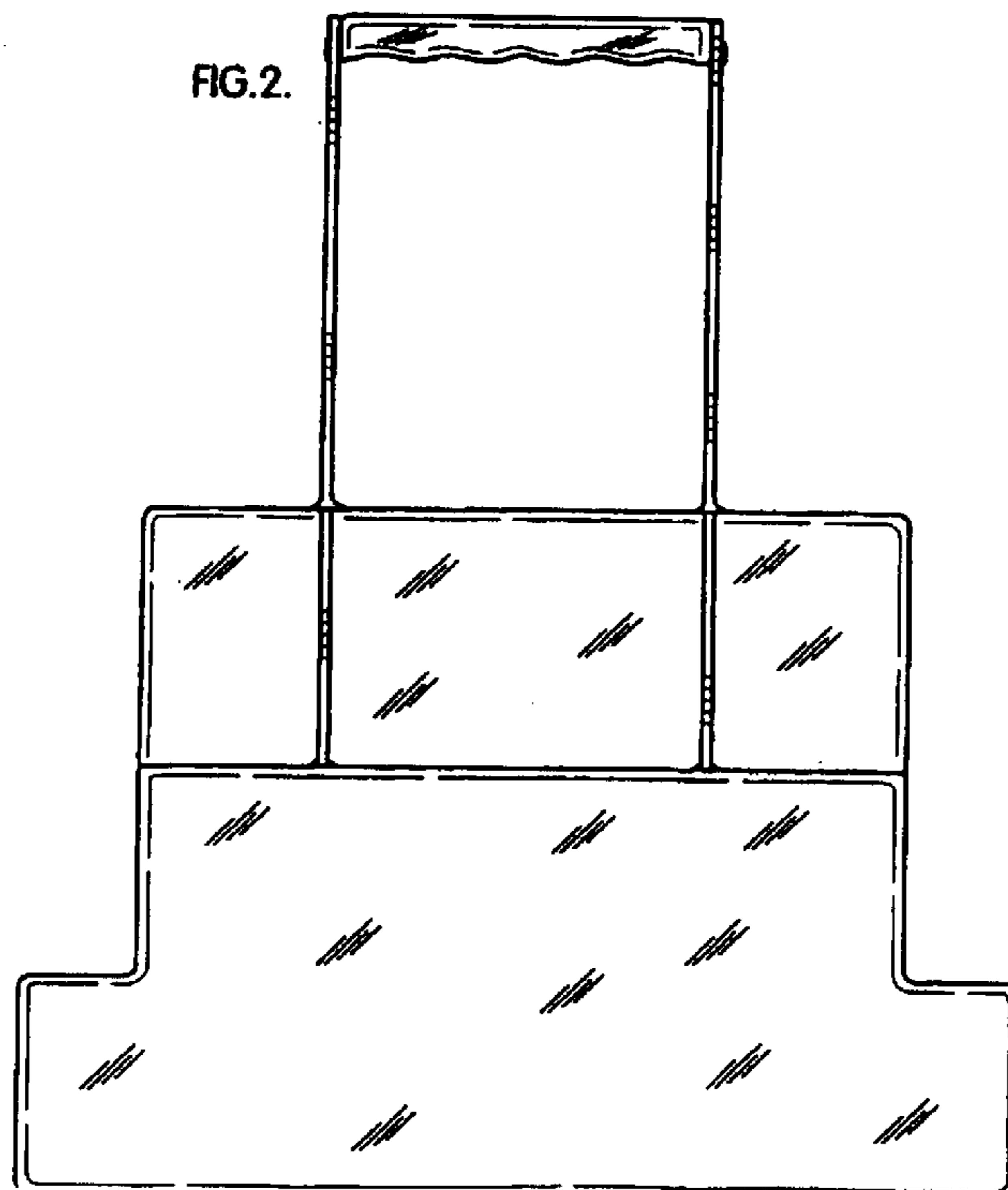
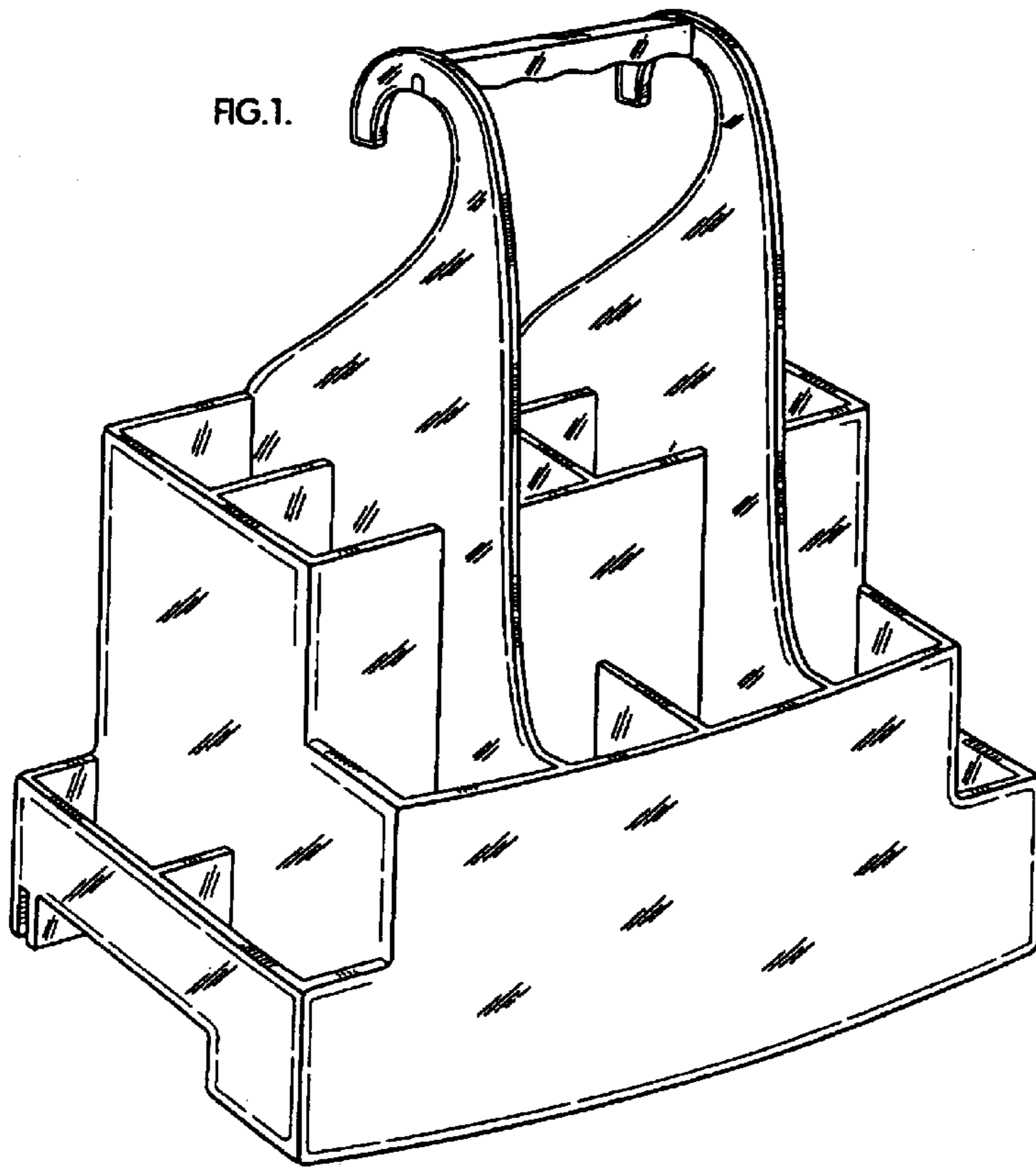


FIG.3.

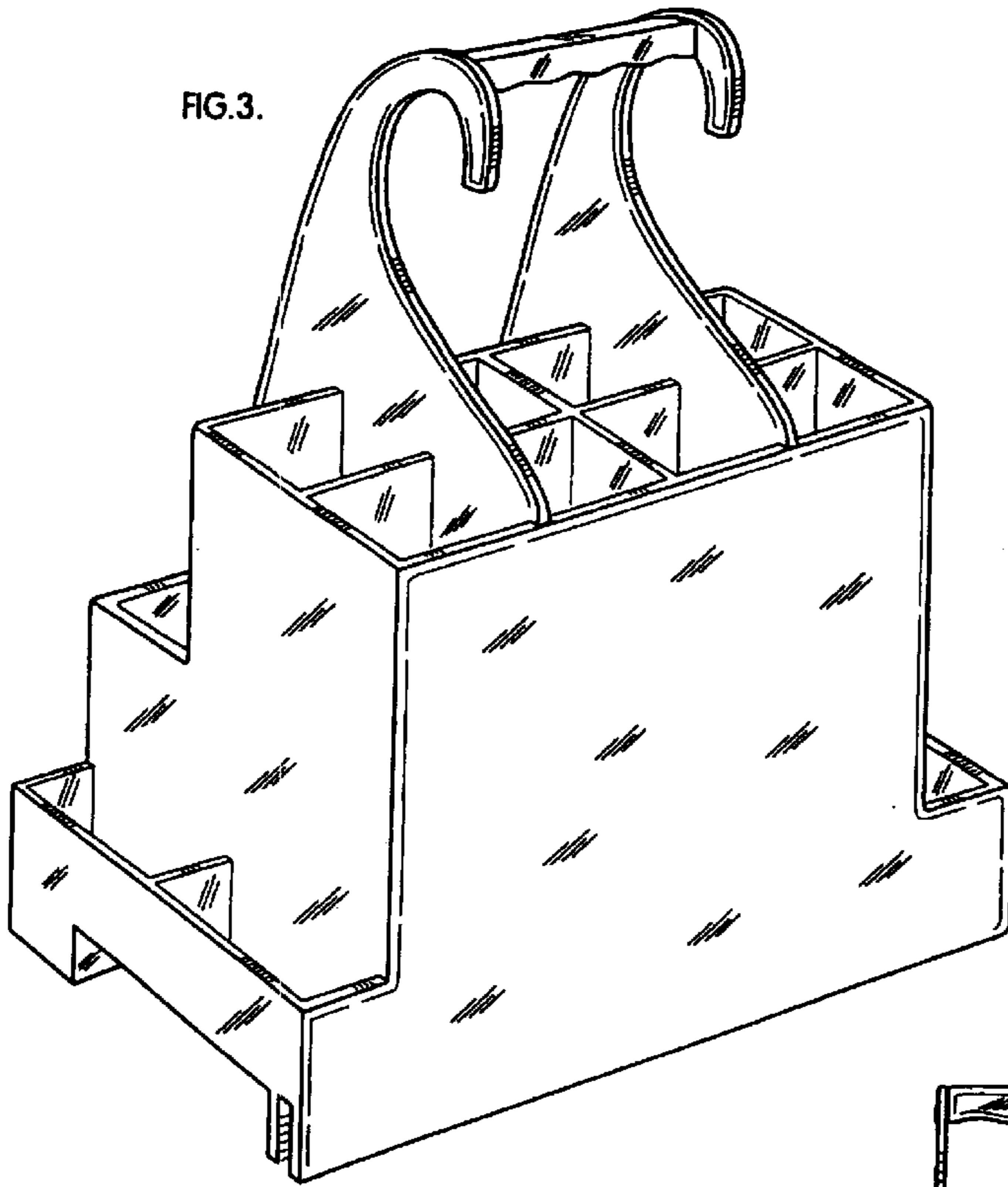


FIG.4.

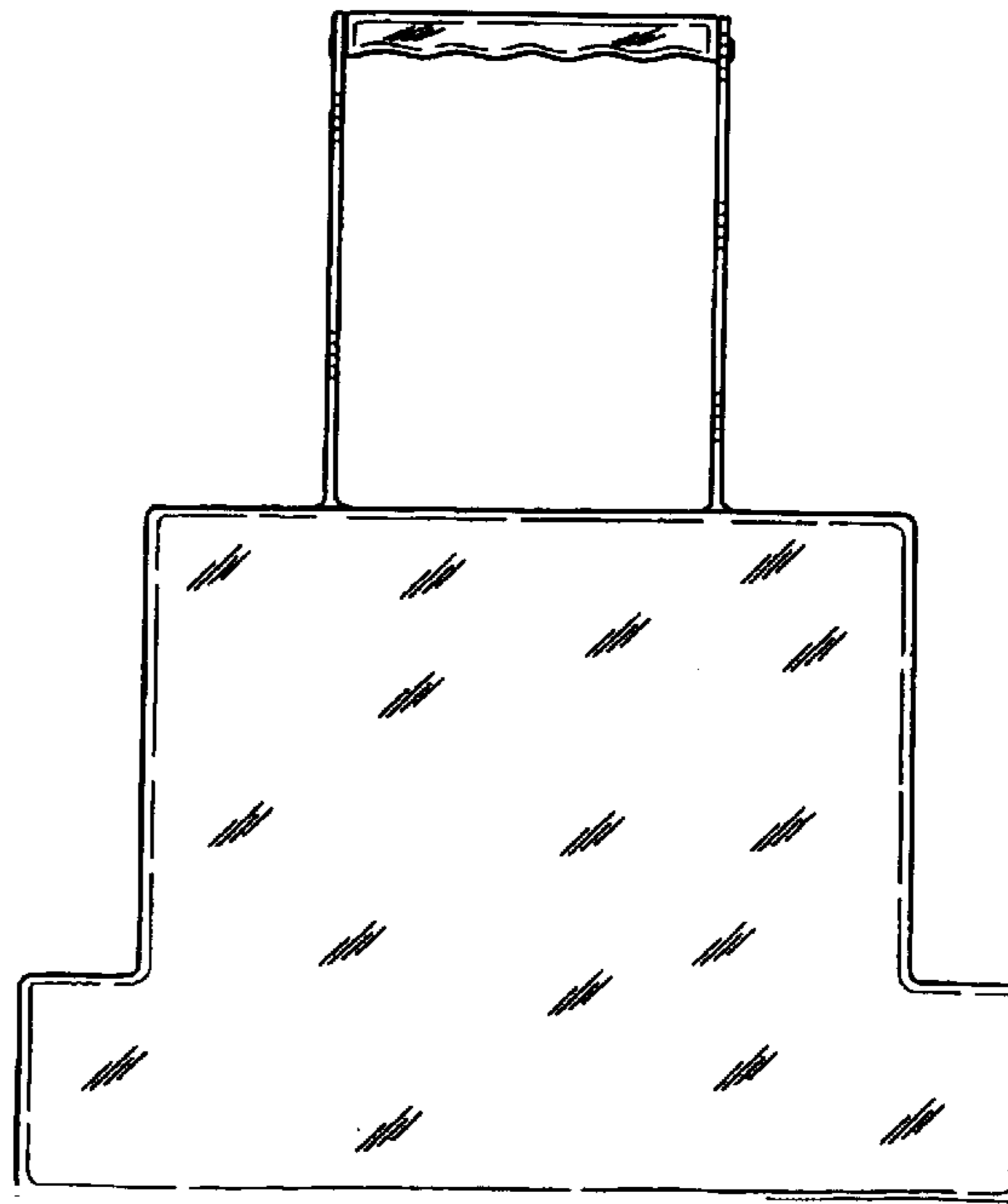


FIG. 5.

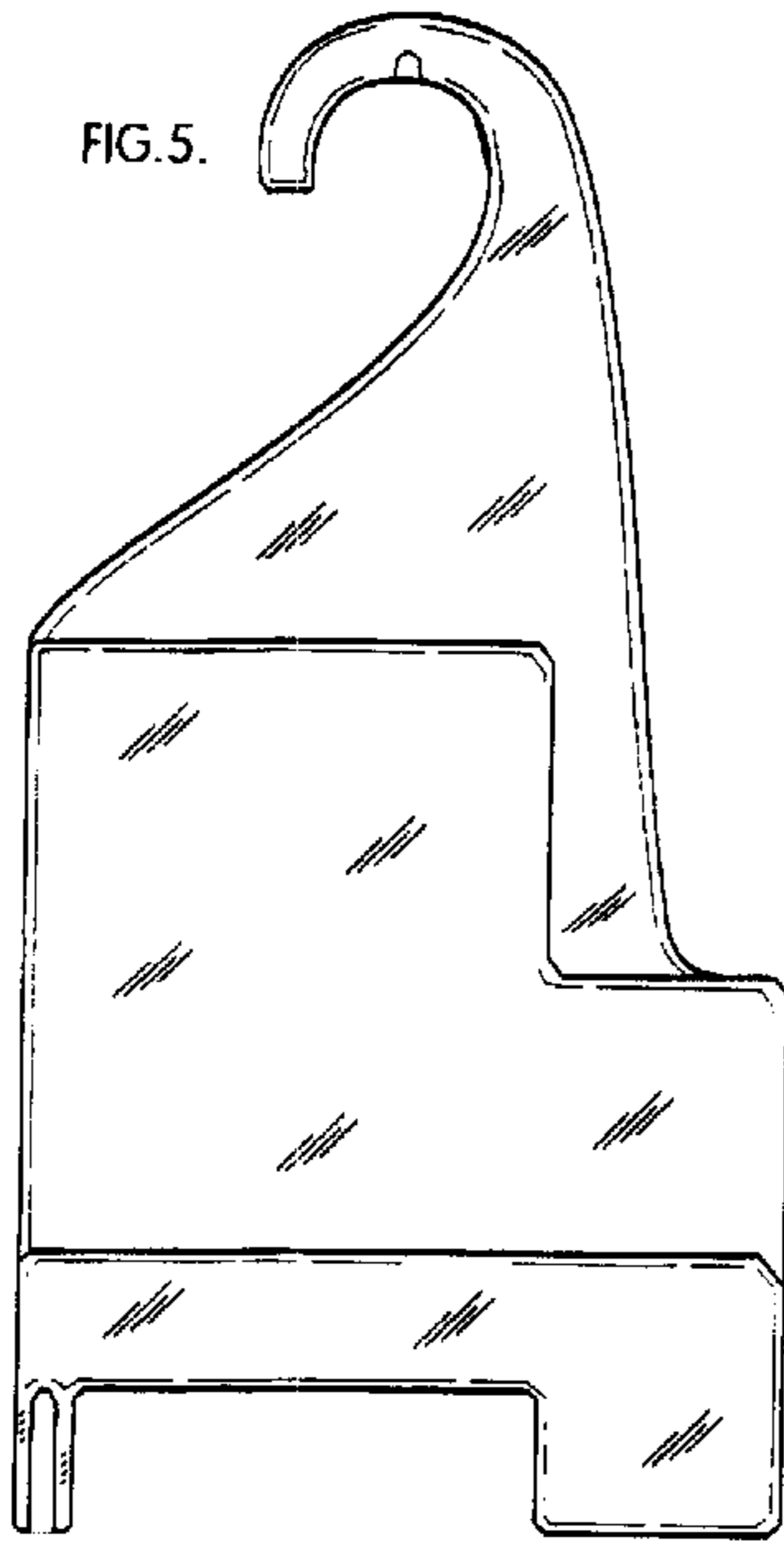


FIG. 6.

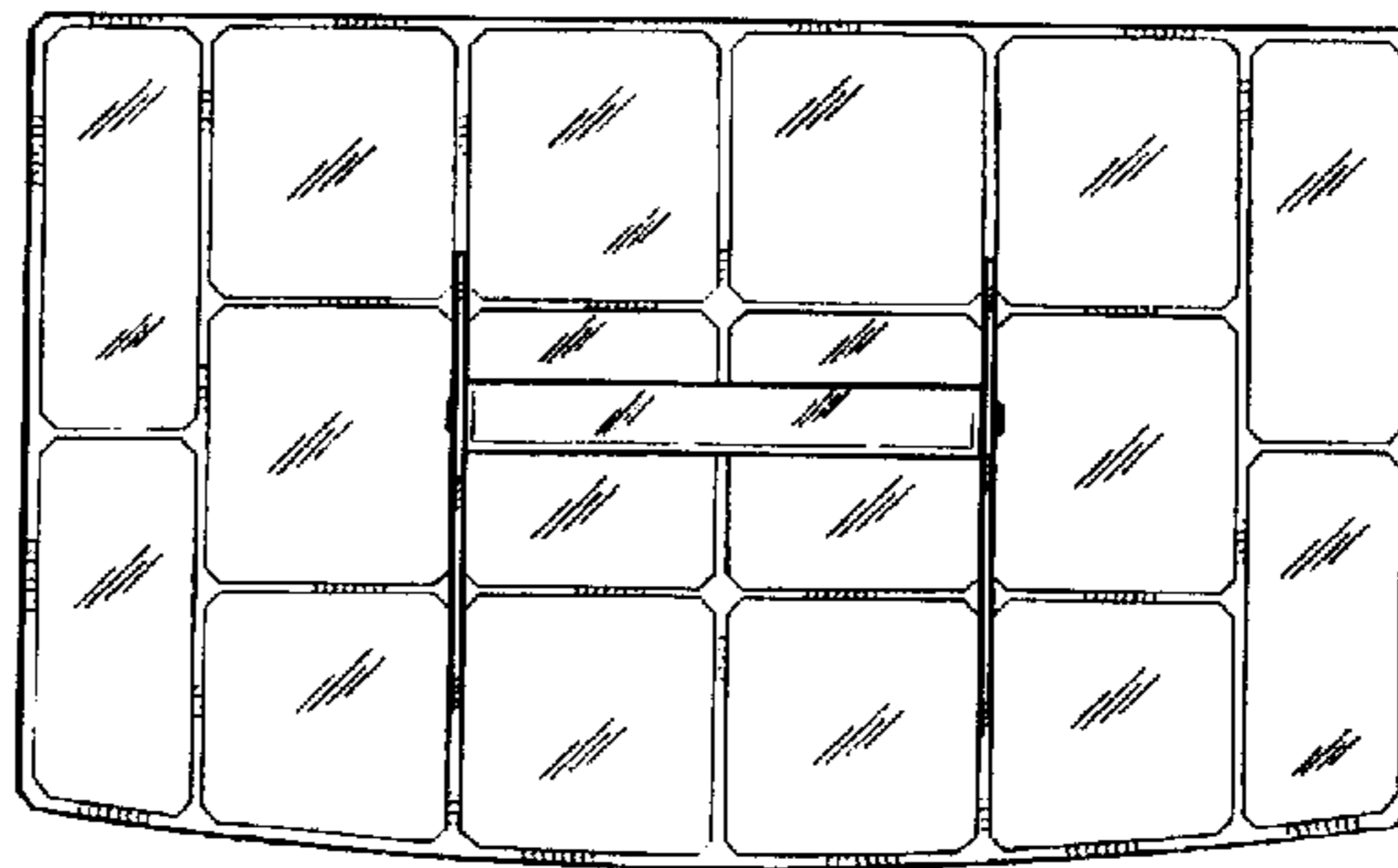
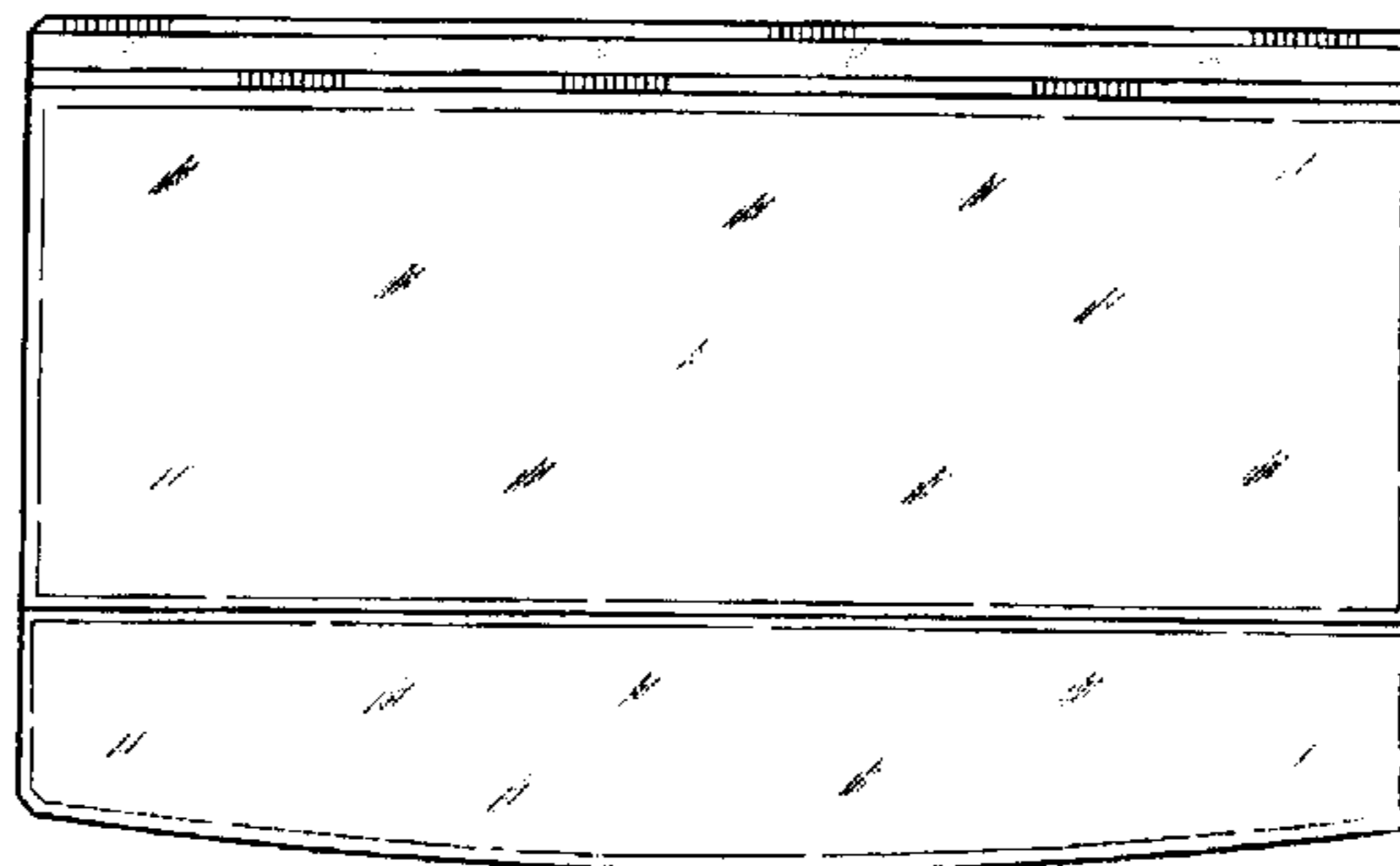


FIG. 7.



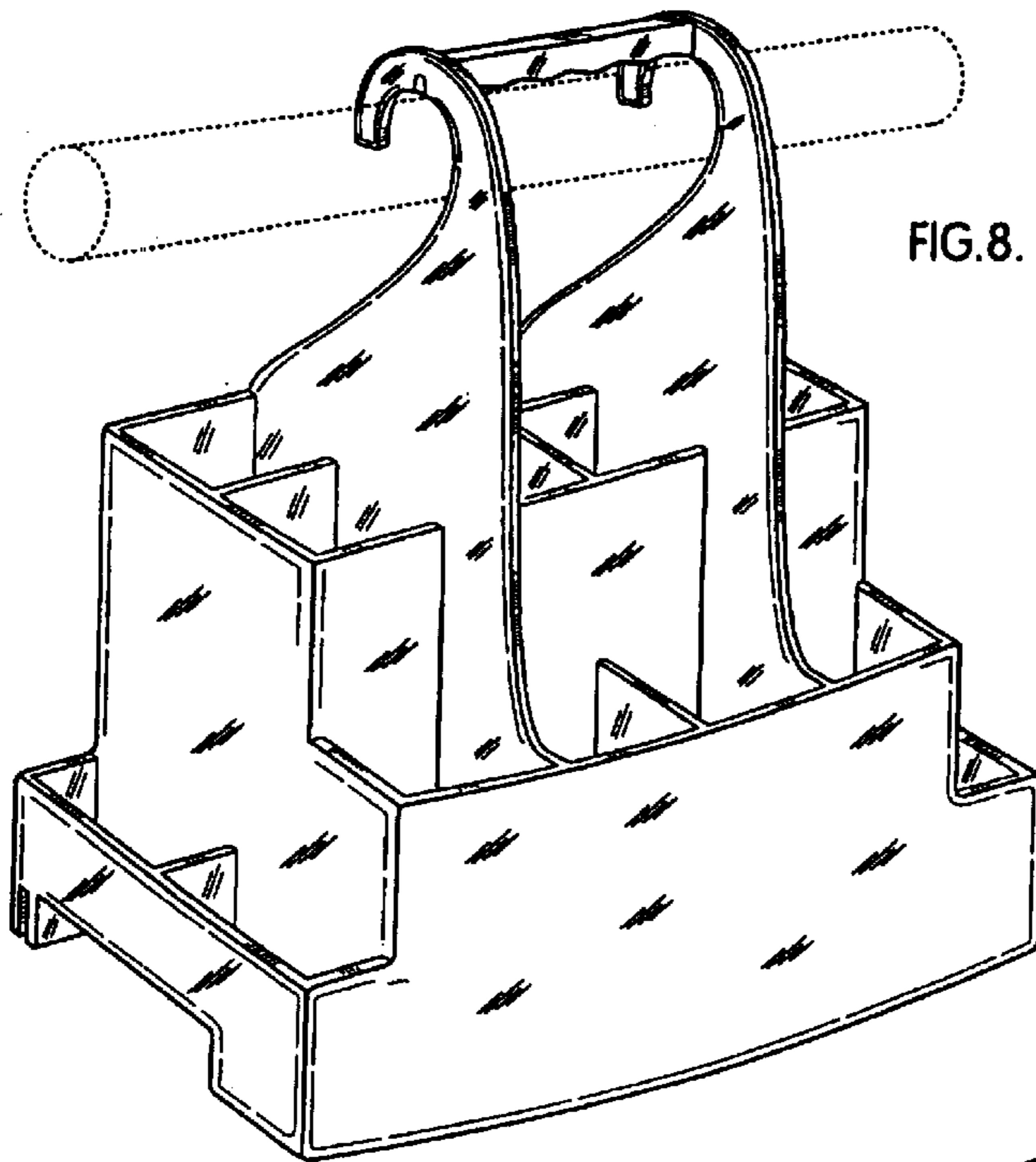


FIG. 8.

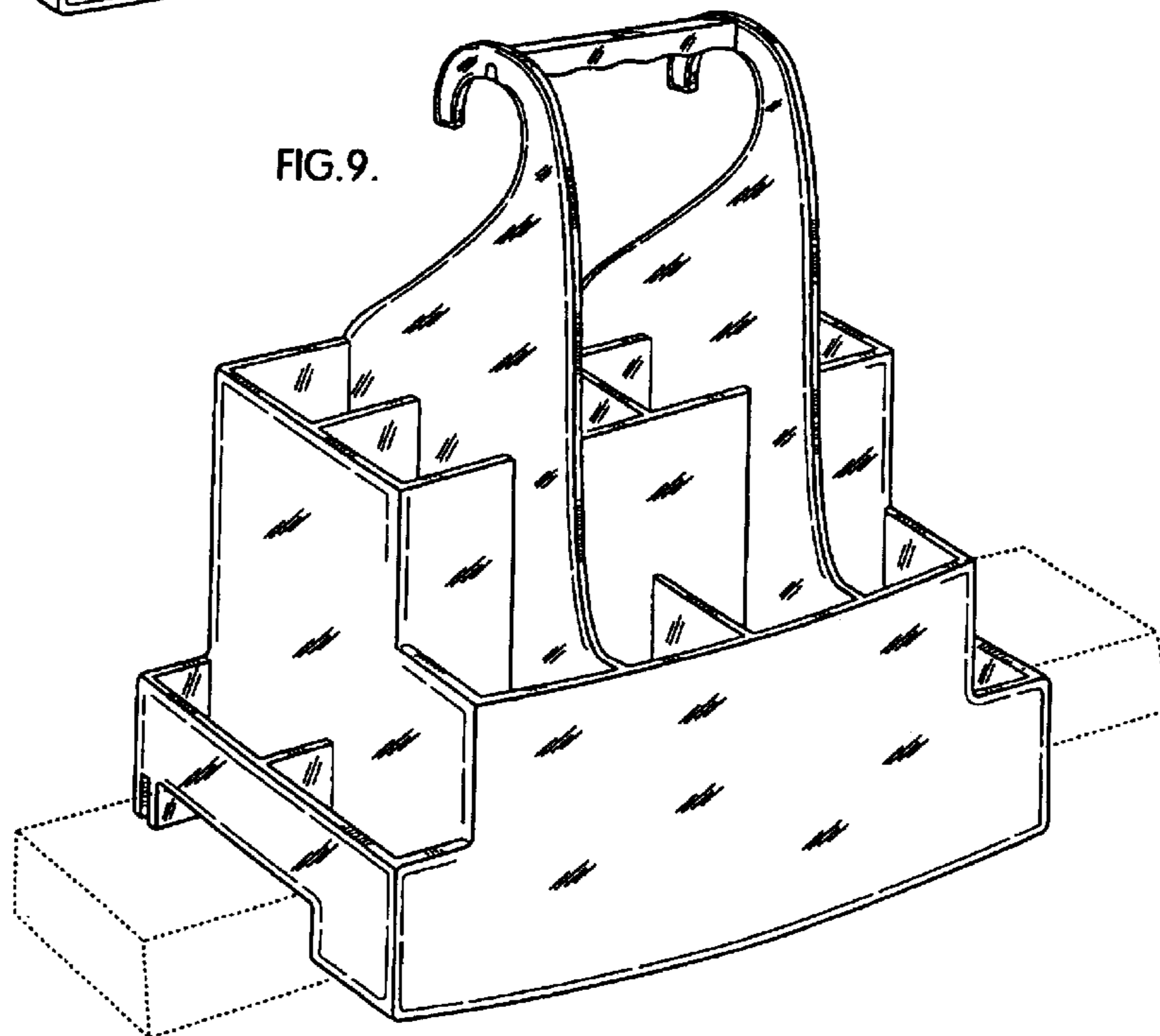


FIG. 9.