

US00D542033S

(12) **United States Design Patent**
Kopenhaver et al.

(10) **Patent No.:** **US D542,033 S**

(45) **Date of Patent:** **** *May 8, 2007**

(54) **MEDIUM COLLAPSIBLE STORAGE CONTAINER**

(75) Inventors: **Niki Kopenhaver**, Rancho Santa Fe, CA (US); **Clarence Cassidy**, Escondido, CA (US)

(73) Assignee: **American Innotek, Inc.**, Escondido, CA (US)

(*) Notice: This patent is subject to a terminal disclaimer.

(**) Term: **14 Years**

(21) Appl. No.: **29/225,688**

(22) Filed: **Mar. 17, 2005**

(51) **LOC (8) Cl.** **03-01**

(52) **U.S. Cl.** **D3/305**

(58) **Field of Classification Search** D3/301-315, D3/276, 203, 294, 279; D11/156, 147; D24/226-227; D9/425, 700, 432-435, 420, 456, 760, 414; D12/133; 206/528; D6/436, 469, 407, 396, D6/475-476, 525; D19/75-78; D30/107; 220/4.33; D34/19; D32/46; 226/643; D8/330; D7/620, 706, 409, 542; 229/162.1, 100, 122
See application file for complete search history.

(56) **References Cited**

U.S. PATENT DOCUMENTS

D253,344 S	*	11/1979	Genaro et al.	D14/149
D360,131 S	*	7/1995	Tudor	D9/418
D364,087 S	*	11/1995	Farley	D9/418
D399,678 S	*	10/1998	Aquino et al.	D6/632
D400,318 S	*	10/1998	Lucas	D30/161
D423,359 S	*	4/2000	MacLean et al.	D9/456
D454,784 S	*	3/2002	Oram	D9/416

D483,073 S	*	12/2003	Hilton	D20/17
D494,759 S	*	8/2004	Louie et al.	D3/304
D495,248 S	*	8/2004	Krebs et al.	D9/418
D495,490 S	*	9/2004	Garrett et al.	D3/304
D496,162 S	*	9/2004	Garrett et al.	D3/304
D503,245 S	*	3/2005	Vanoncini	D28/78
D511,091 S	*	11/2005	Liwag	D9/418
D517,318 S	*	3/2006	Ruybal	D3/302
D521,733 S	*	5/2006	Kim	D3/294
D525,790 S	*	8/2006	Heroux	D3/301

* cited by examiner

Primary Examiner—Louis S. Zarfaz

Assistant Examiner—Eric L. Goodman

(74) *Attorney, Agent, or Firm*—Gary L. Eastman

(57) **CLAIM**

The original design for a medium collapsible storage container, as shown and described.

DESCRIPTION

FIG. 1 is a top perspective view of the medium collapsible storage container showing our new design;

FIG. 2 is a top view of the medium collapsible storage container;

FIG. 3 is a left side view of the medium collapsible storage container;

FIG. 4 is a bottom view of the medium collapsible storage container;

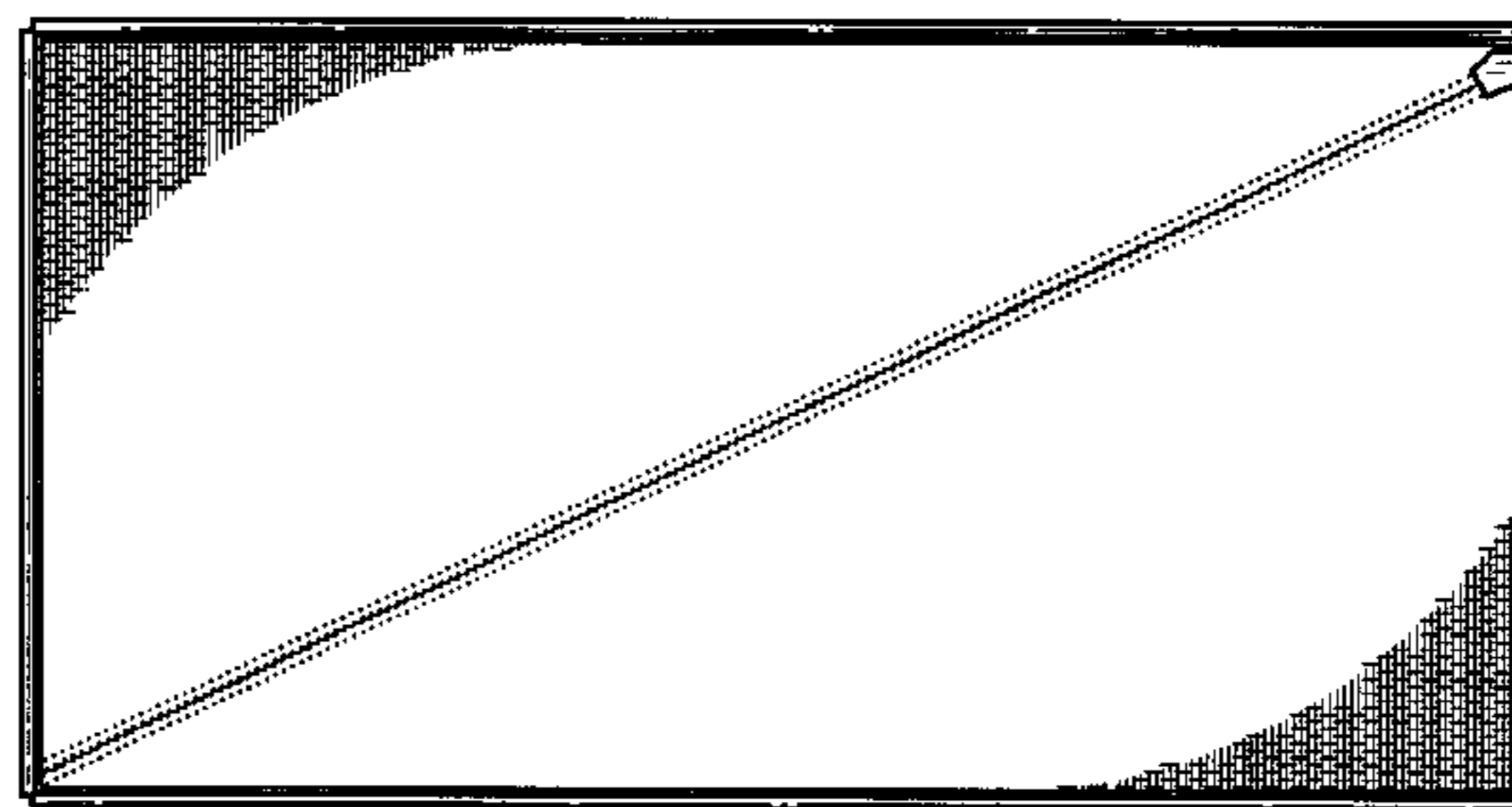
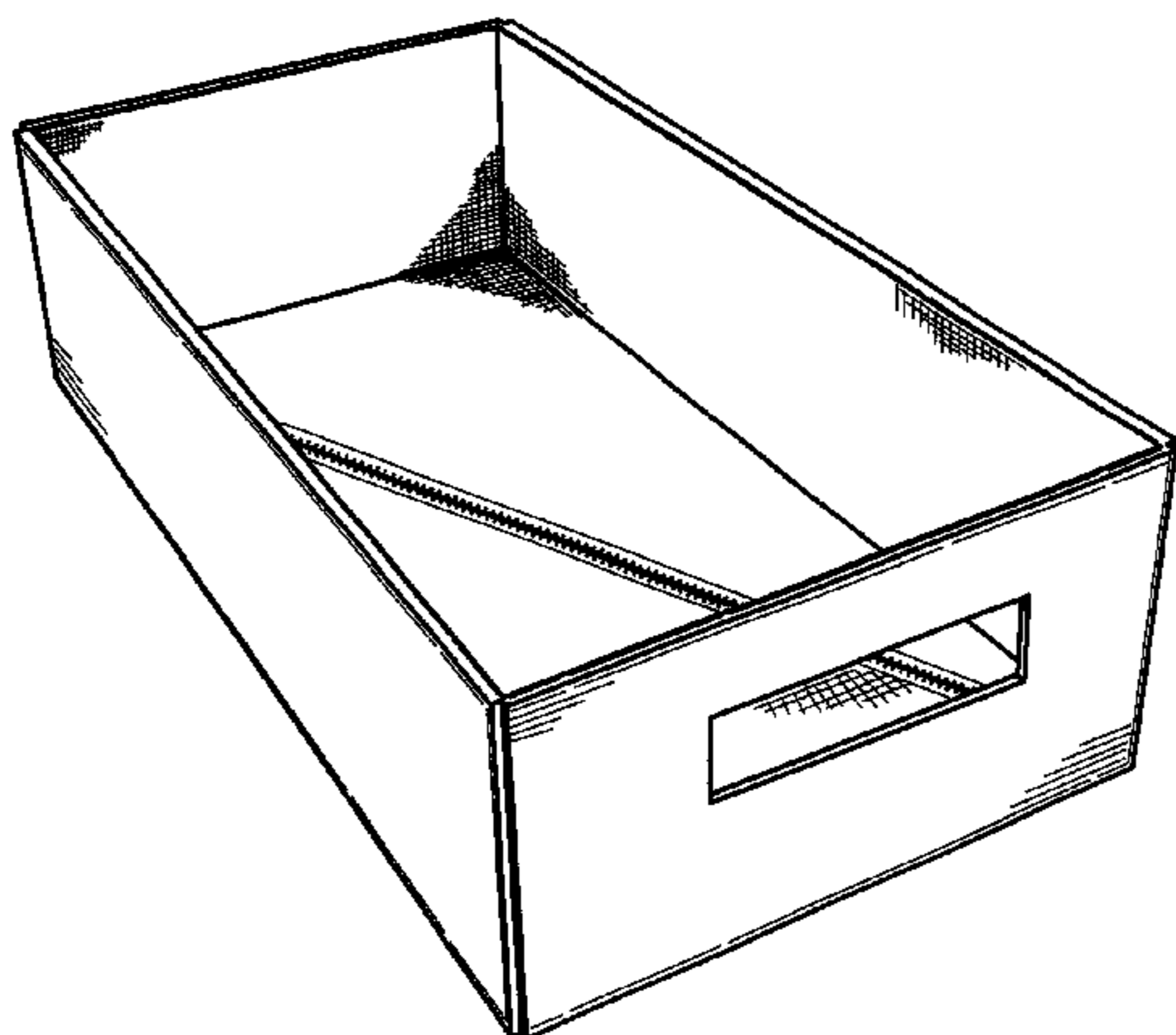
FIG. 5 is a front view of the medium collapsible storage container;

FIG. 6 is a back view of the medium collapsible storage container;

FIG. 7 is a right side view of the medium collapsible storage container; and,

FIG. 8 is a perspective view of the medium collapsible storage container shown in a semi-collapsed configuration.

1 Claim, 3 Drawing Sheets



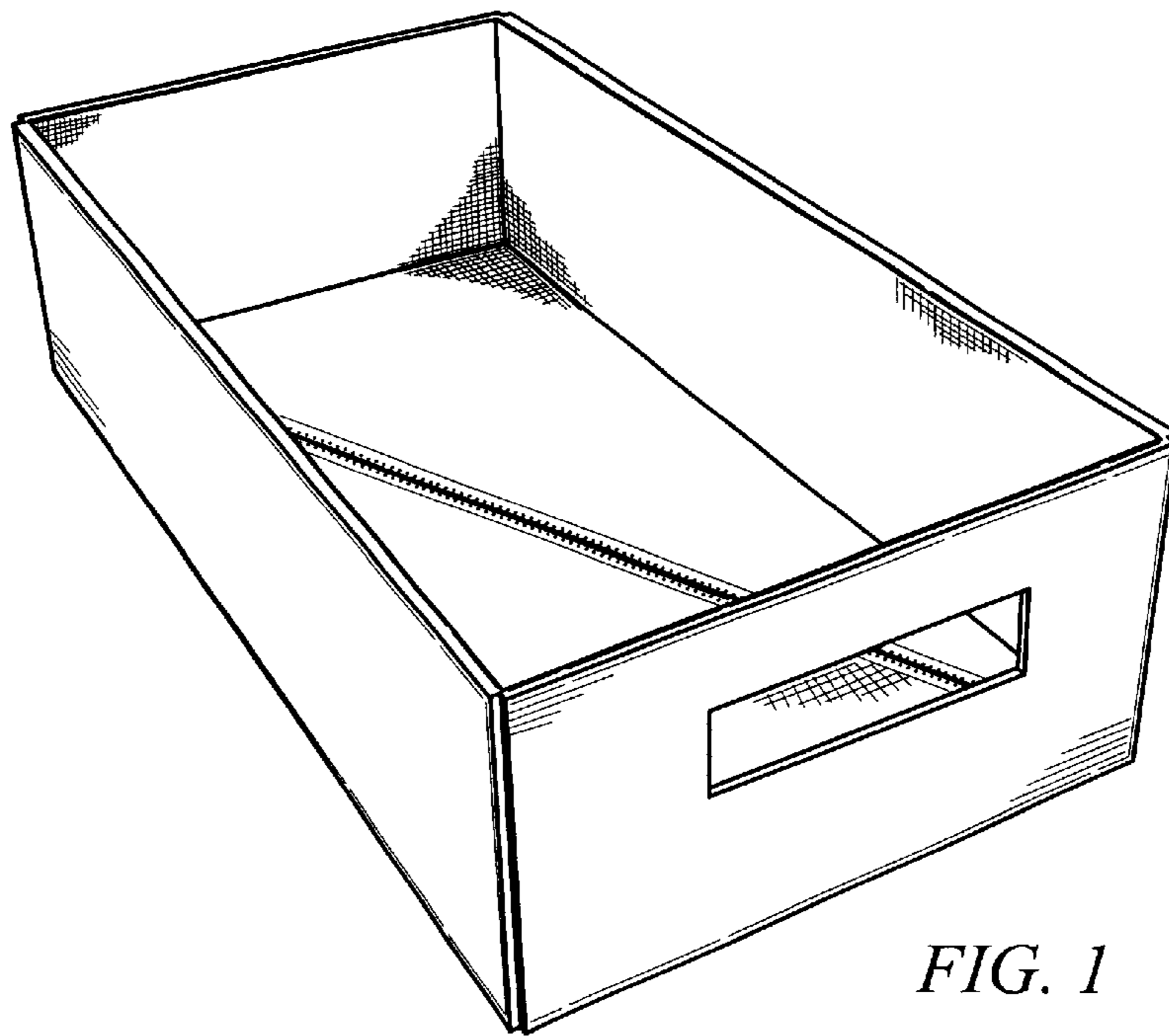


FIG. 1

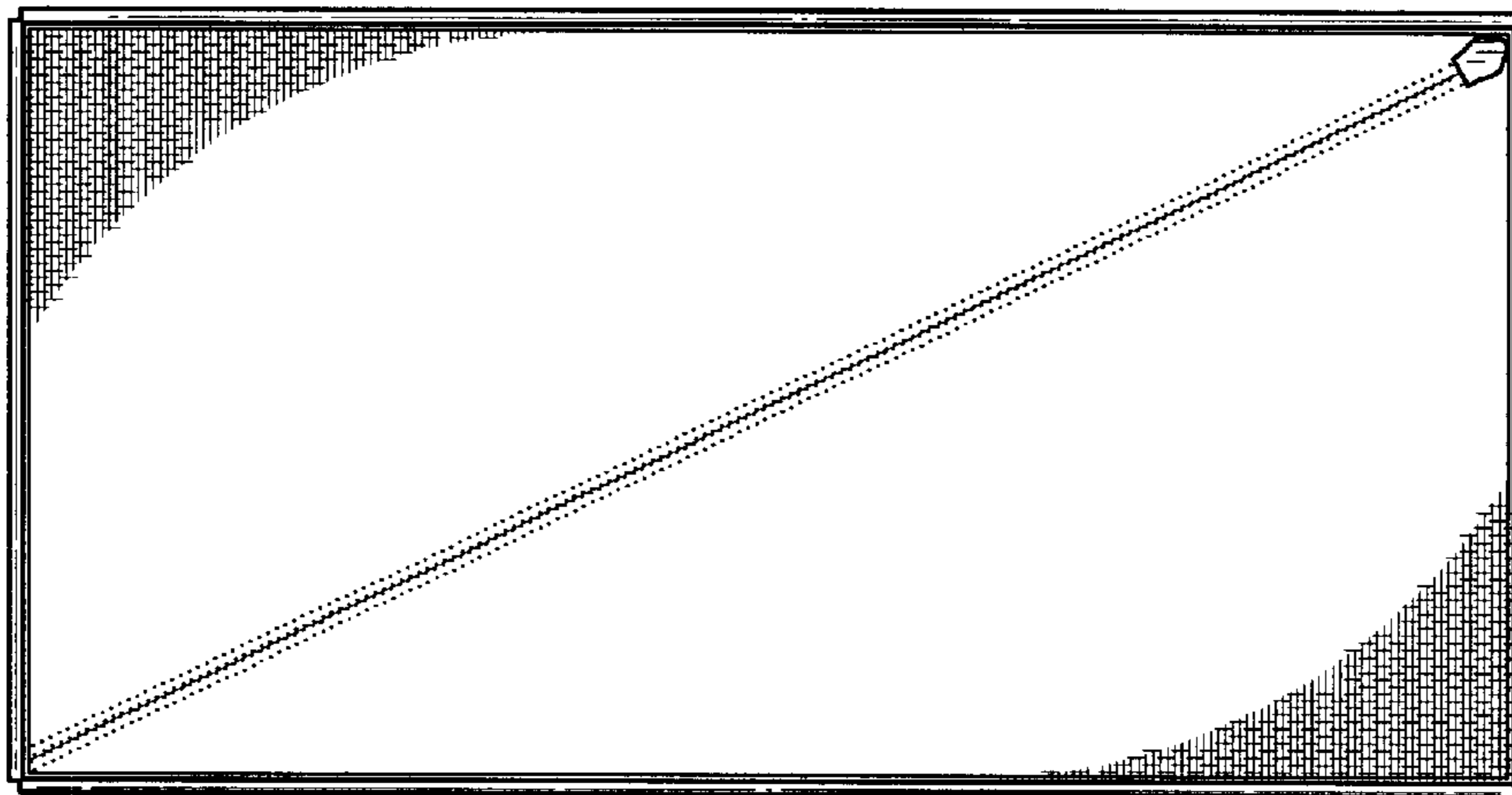


FIG. 2

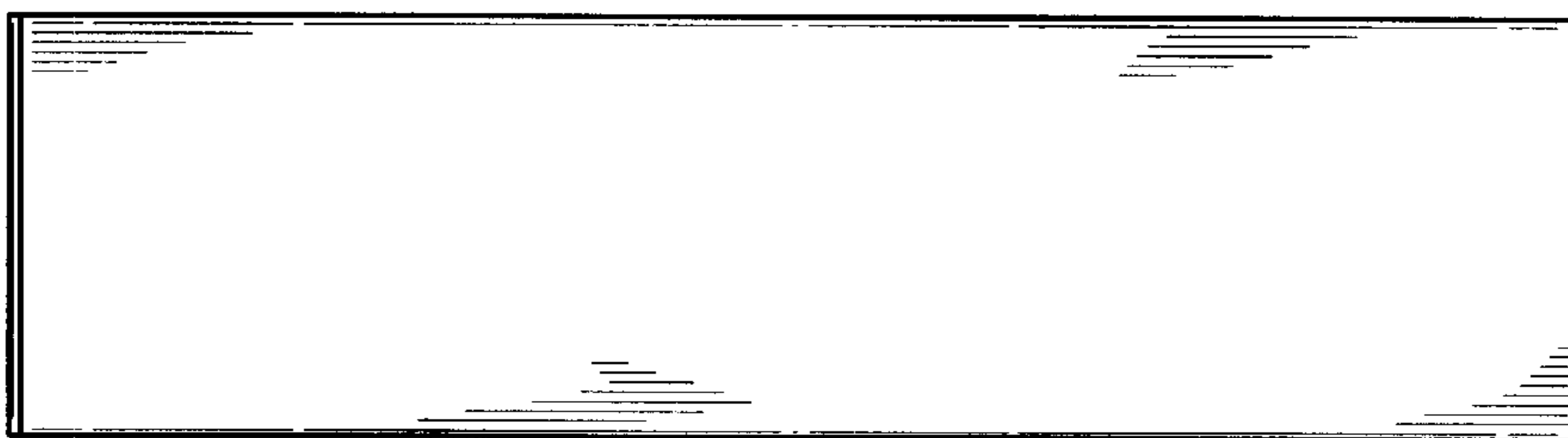


FIG. 3

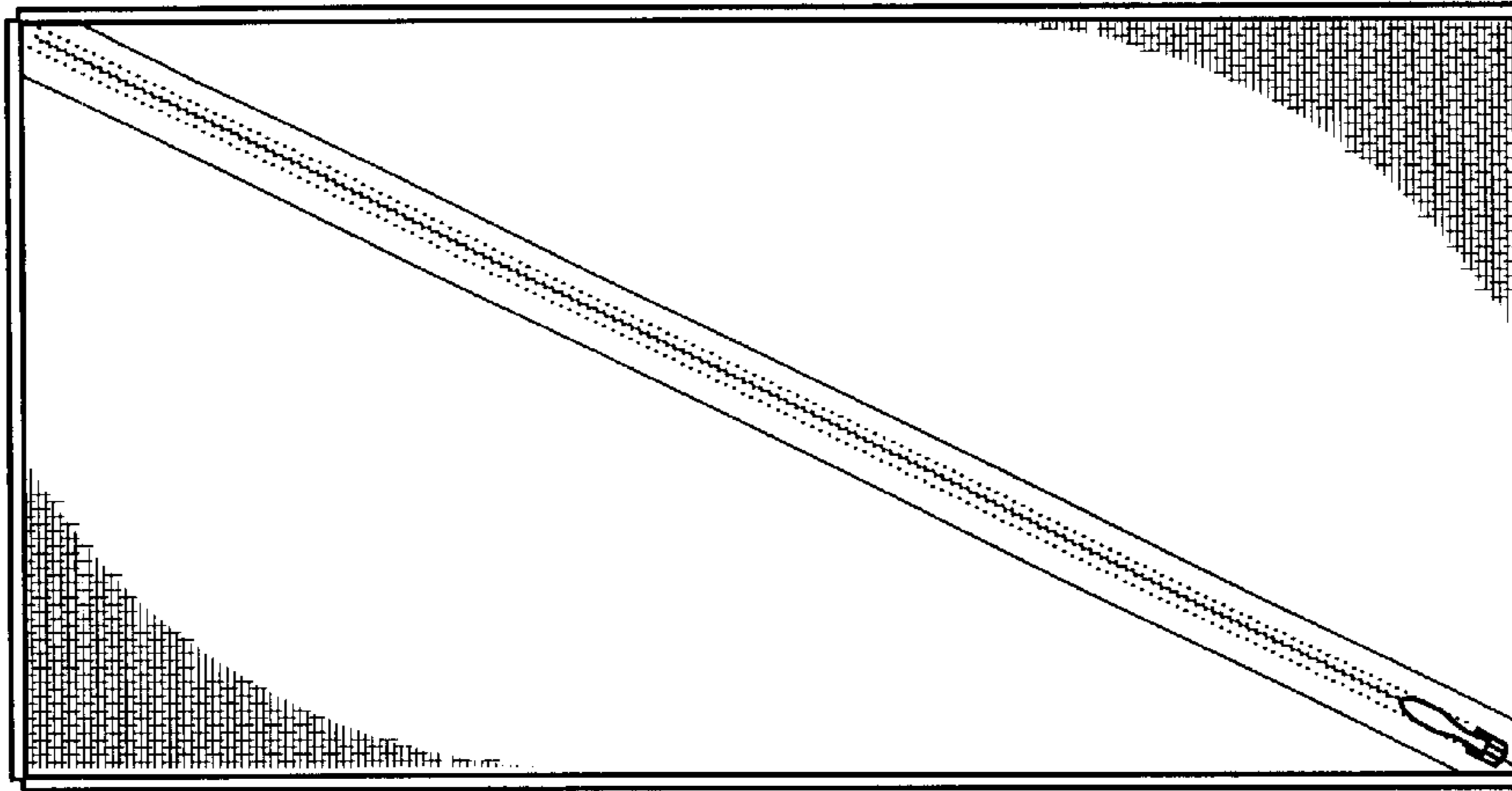


FIG. 4

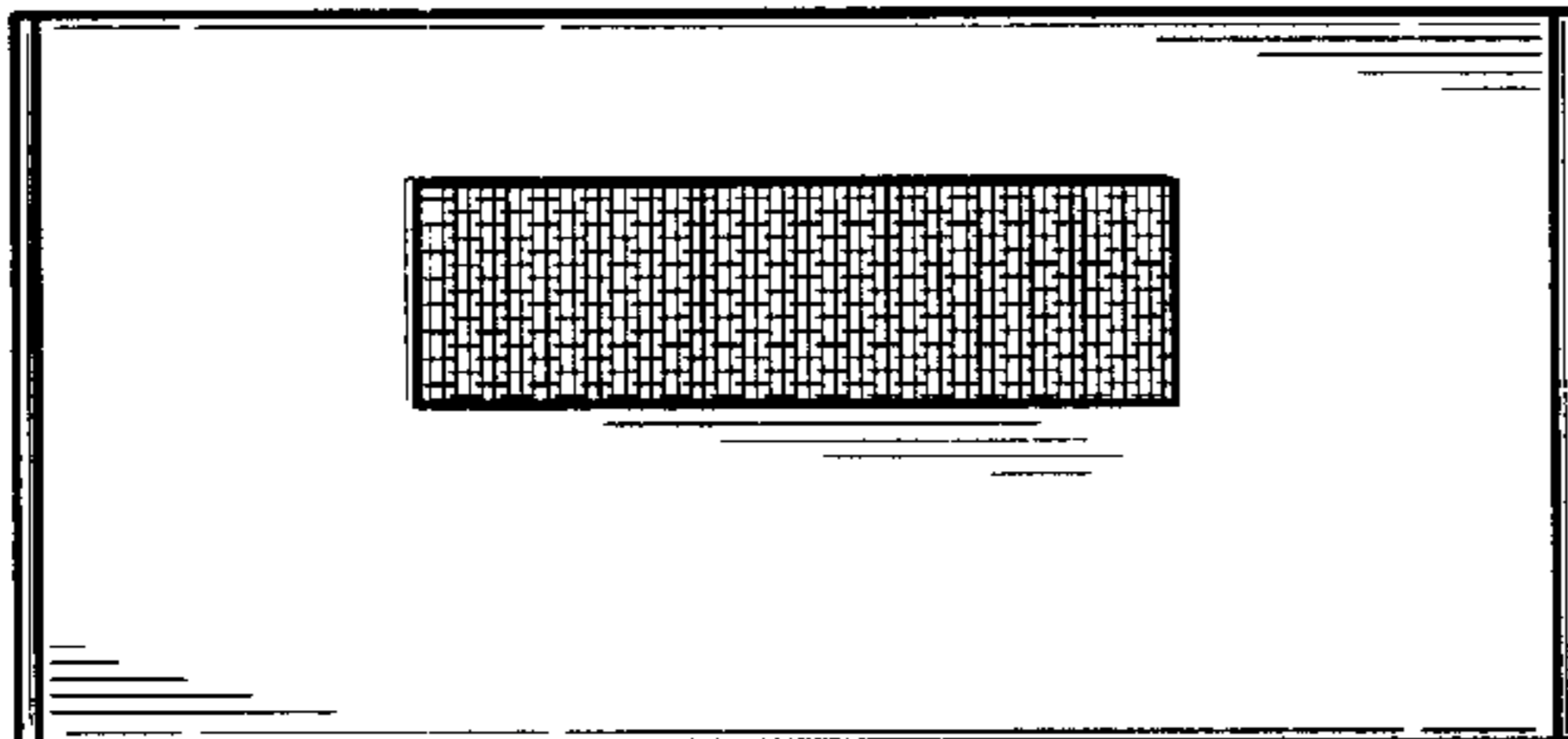


FIG. 5



FIG. 6

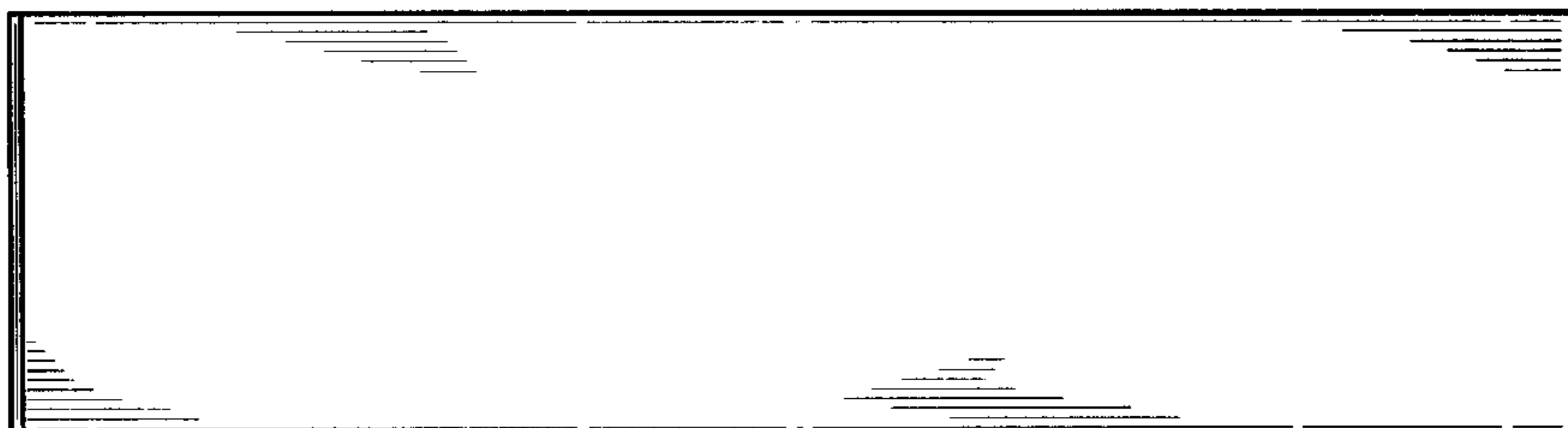


FIG. 7

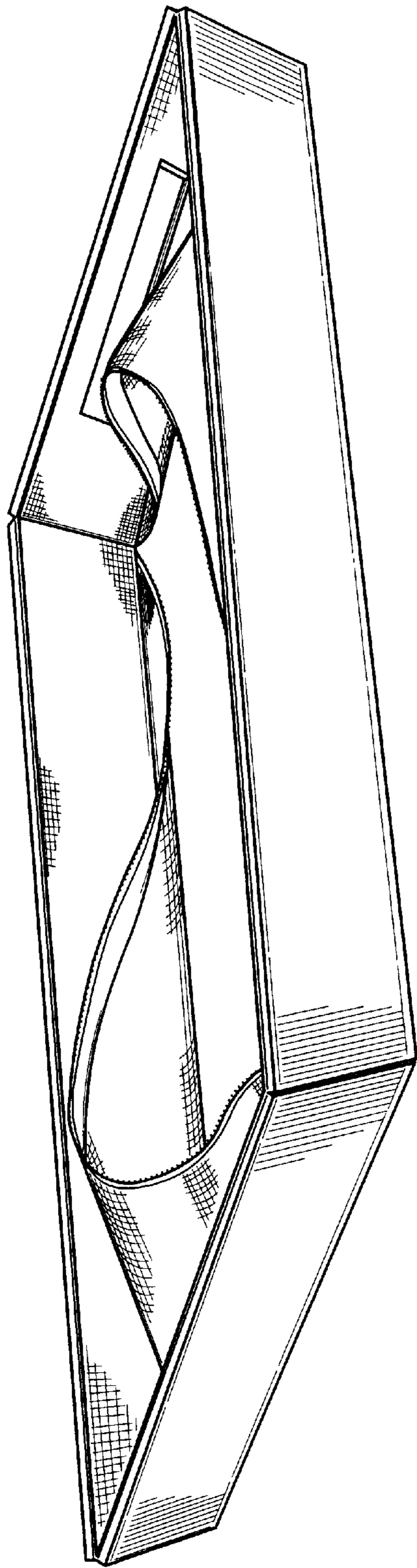


FIG. 8