

US00D542032S

(12) **United States Design Patent**
Williams et al.

(10) **Patent No.:** **US D542,032 S**

(45) **Date of Patent:** **** May 8, 2007**

(54) **GAME DEVICE CASE**

(75) Inventors: **Luke Williams**, New York, NY (US);
Chris Green, San Francisco, CA (US);
Mark Muenchinger, San Francisco,
CA (US); **Richard Hibbs**, Palo Alto,
CA (US); **Cendru Engstrom**, Fremont,
CA (US); **Vance Prather**, Tracy, CA
(US); **Jef Holove**, Belmont, CA (US)

(73) Assignee: **Logitech Europe S.A.** (CH)

(**) Term: **14 Years**

(21) Appl. No.: **29/226,885**

(22) Filed: **Mar. 31, 2005**

(51) **LOC (8) Cl.** **03-01**

(52) **U.S. Cl.** **D3/269; D3/294**

(58) **Field of Classification Search** D3/201,
D3/218-219, 269, 273, 294-295, 901, 903;
D6/407, 632-634; D14/156, 356, 341, 345;
D28/78, 83; 206/37, 307, 315.1, 320

See application file for complete search history.

(56) **References Cited**

U.S. PATENT DOCUMENTS

D347,856 S	*	6/1994	Marfori et al.	D19/60
D387,383 S	*	12/1997	Chan	D19/60
D439,897 S	*	4/2001	Williams et al.	D14/345
6,347,796 B1	*	2/2002	Grossman et al.	273/148 B
D461,631 S	*	8/2002	Hussaini et al.	D3/218
D496,785 S	*	10/2004	Hussaini et al.	D3/218
D525,422 S	*	7/2006	Williams et al.	D3/218
D526,983 S	*	8/2006	Gong et al.	D14/138
D529,493 S	*	10/2006	Ogasawara	D14/356

OTHER PUBLICATIONS

PSP-Polycarb-Case-Black.jpg. Downloaded Oct. 24, 2006
at <http://www.sell.com/228SS6>.*

Silicone Case for PSP. Downloaded Oct. 24, 2006 at http://szlajo.en.alibaba.com/product/50090836/50418718/Silicone_Skins/Silicone_Case_for_PSP.html.*

Variety of cases from Shenzhen Joysky Technology Co.,
Ltd. Downloaded Oct. 24, 2006 at http://joysky.en.alibaba.com/product/50239157/51262377/PSP_series/PSP_Hard_Bag.html.*

PDair Aluminum Deluxe Case for Sony PSP. Downloaded
Oct. 24, 2006 at <http://www.cases.com/pamdcpsp.htm>.*

* cited by examiner

Primary Examiner—Philip S. Hyder

Assistant Examiner—RoseLynne (Ulm) Cody

(74) *Attorney, Agent, or Firm*—Townsend and Townsend
and Crew LLP

(57) **CLAIM**

The ornamental design for game device case, as shown and
described.

DESCRIPTION

FIG. 1 is an upper perspective view of a game device case
showing our new design;

FIG. 2 is a lower perspective view thereof;

FIG. 3 is a top plan view thereof;

FIG. 4 is a rear elevational view thereof;

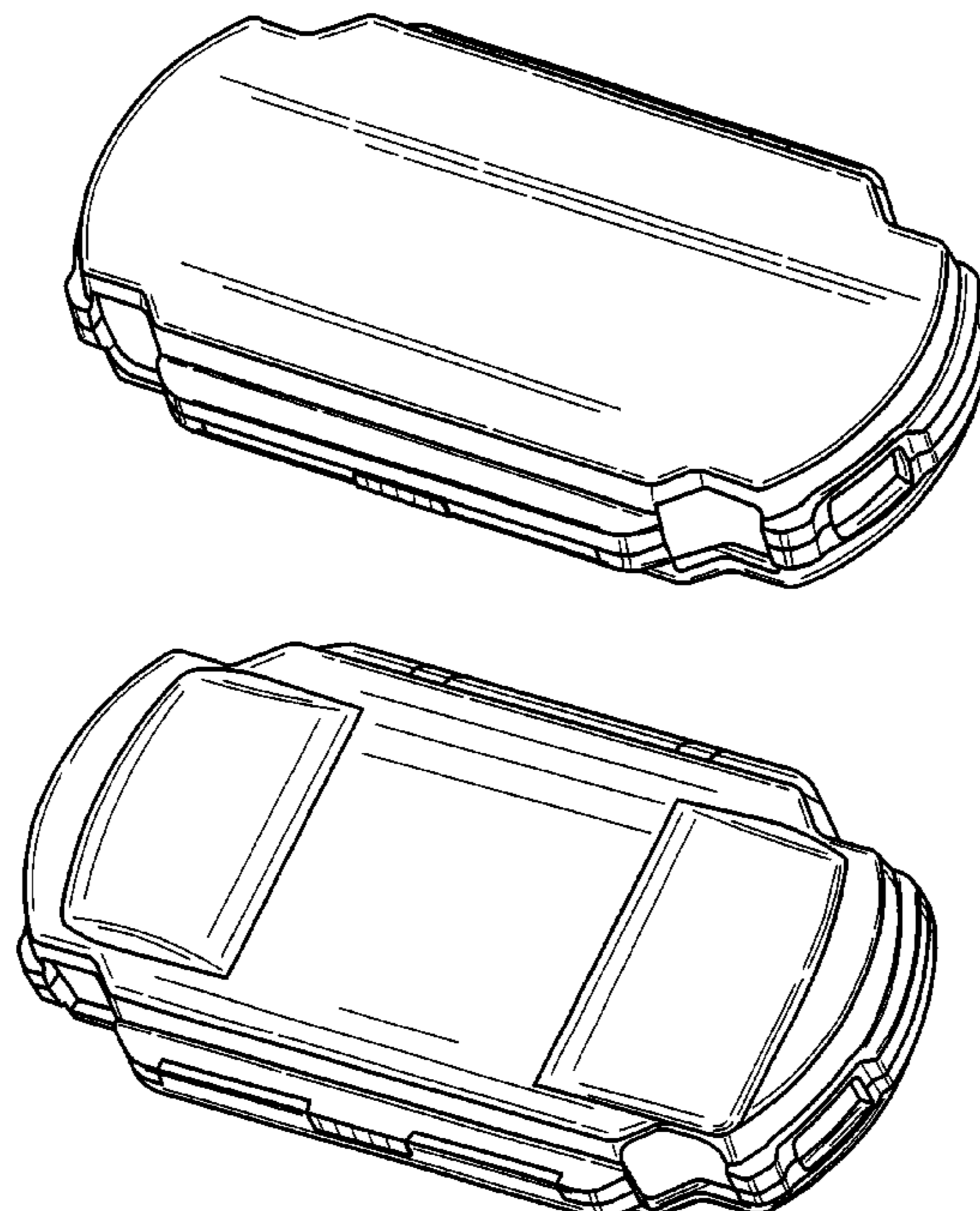
FIG. 5 is a front elevational view thereof;

FIG. 6 is a left elevational view thereof;

FIG. 7 is a right elevational view thereof; and,

FIG. 8 is a bottom plan view thereof.

1 Claim, 3 Drawing Sheets



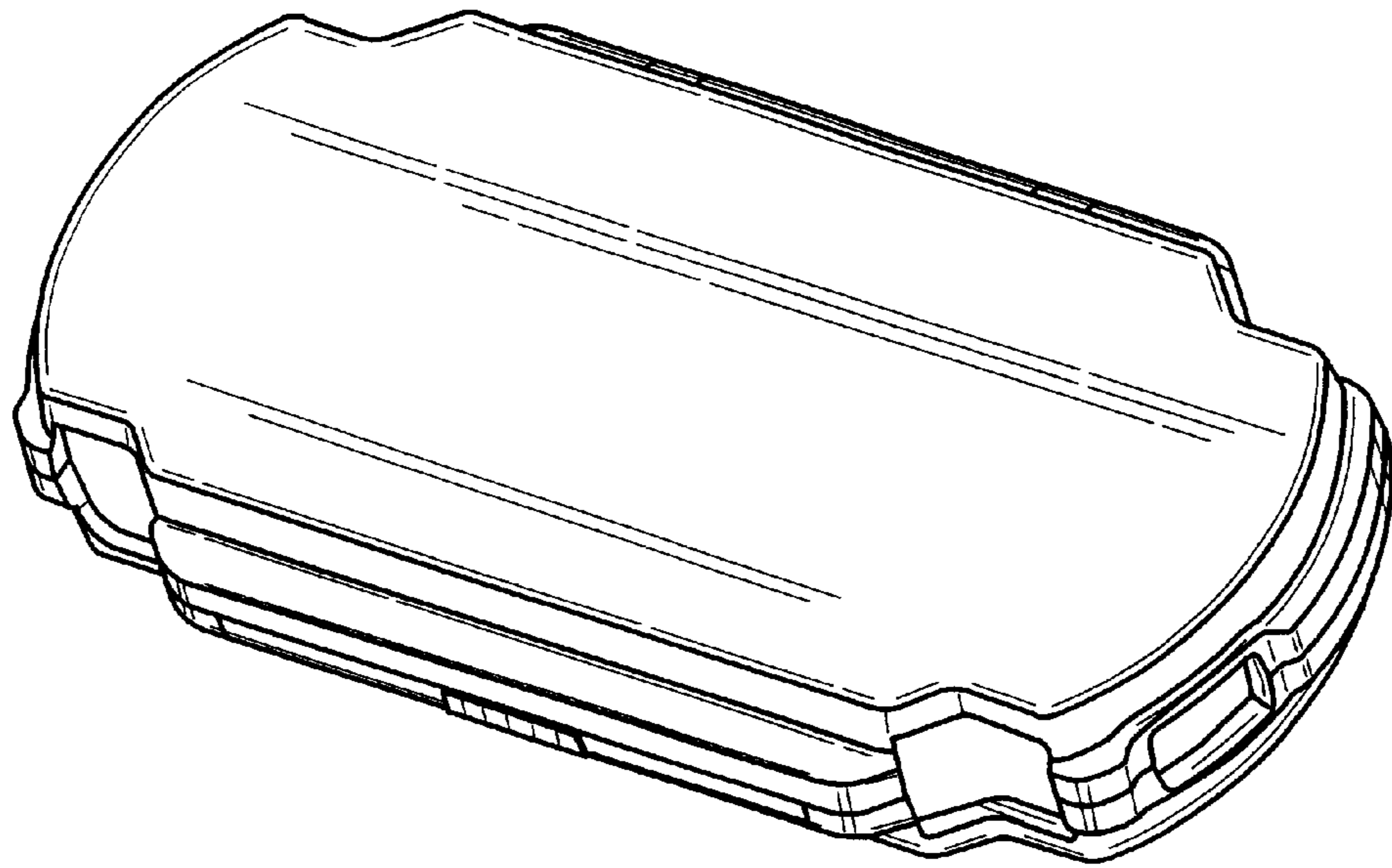


FIG. 1

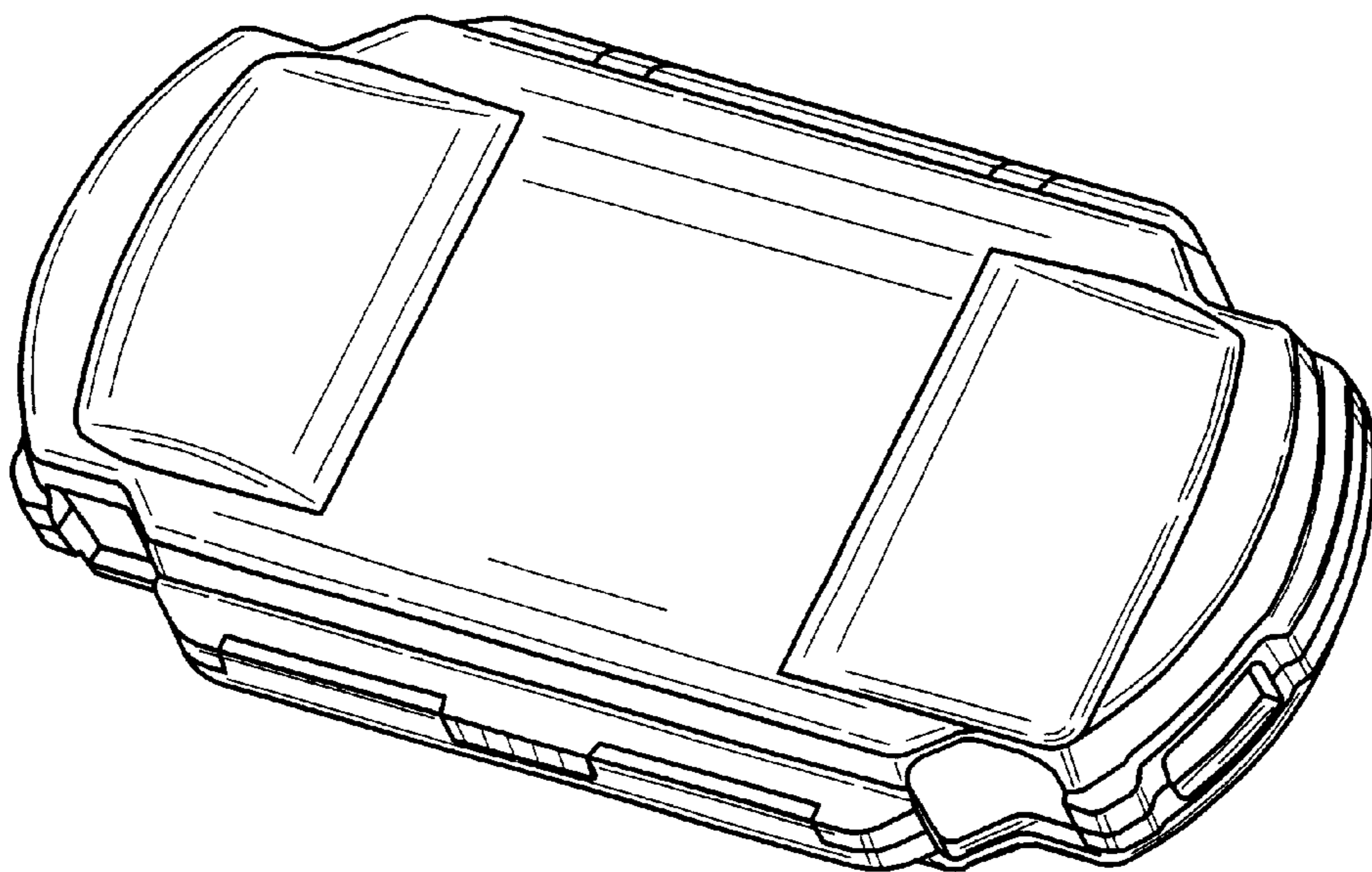


FIG. 2

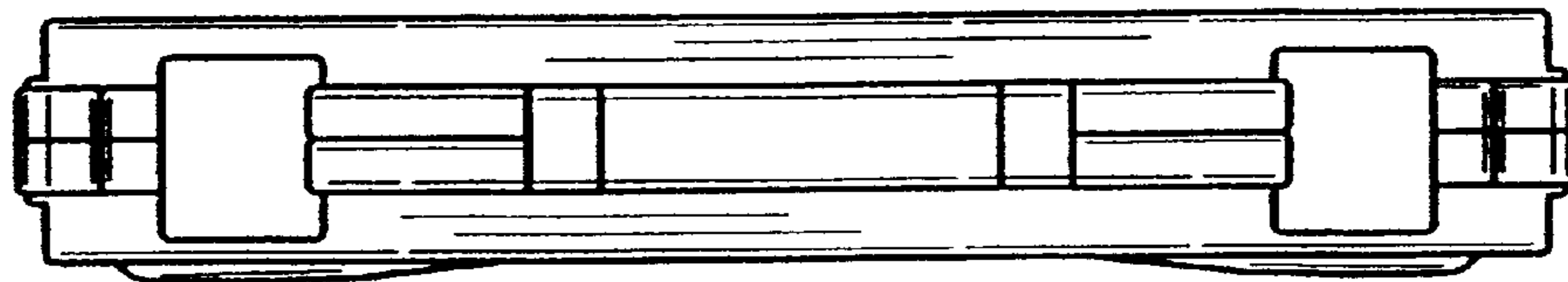


FIG. 4

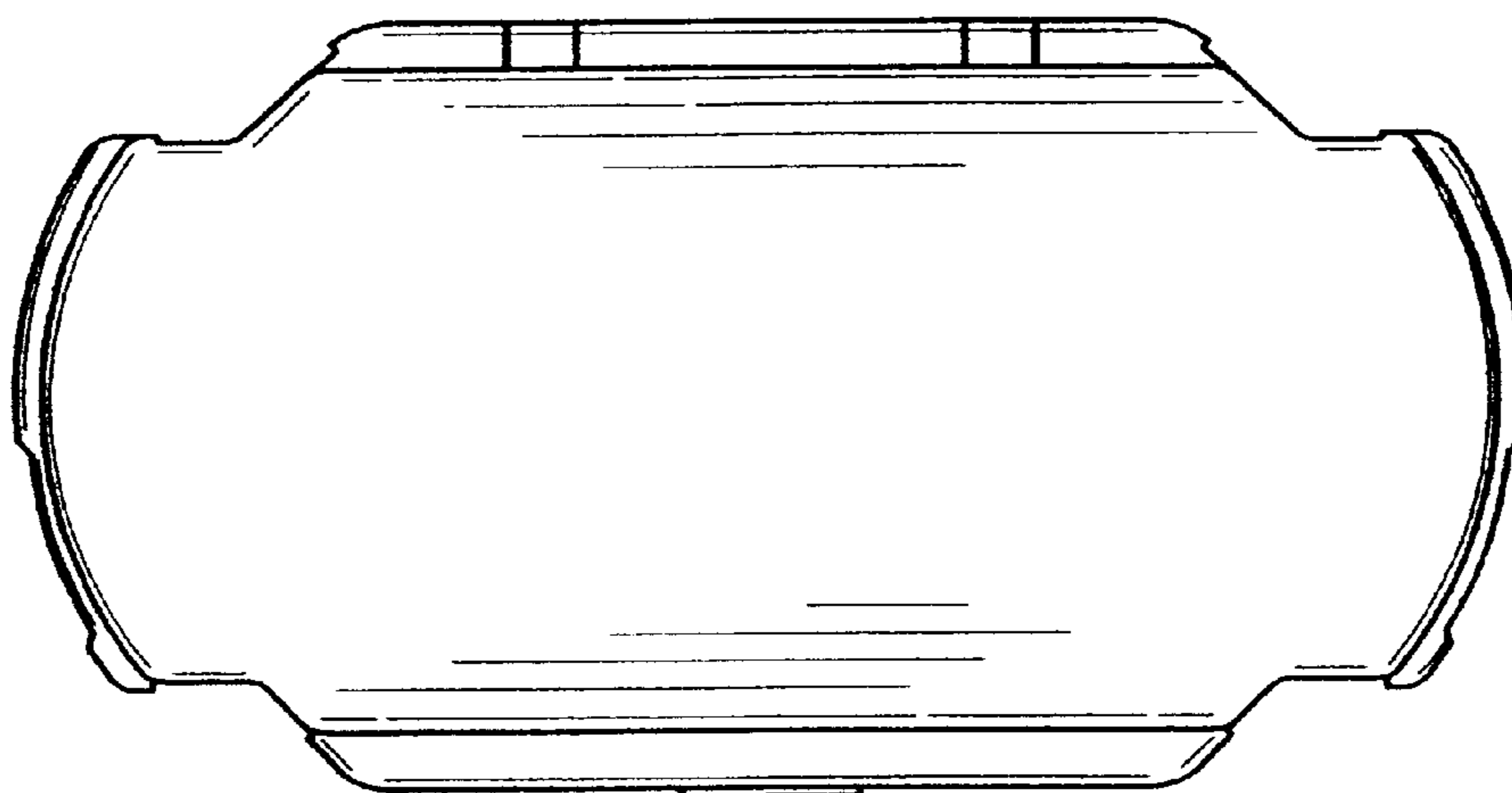


FIG. 3

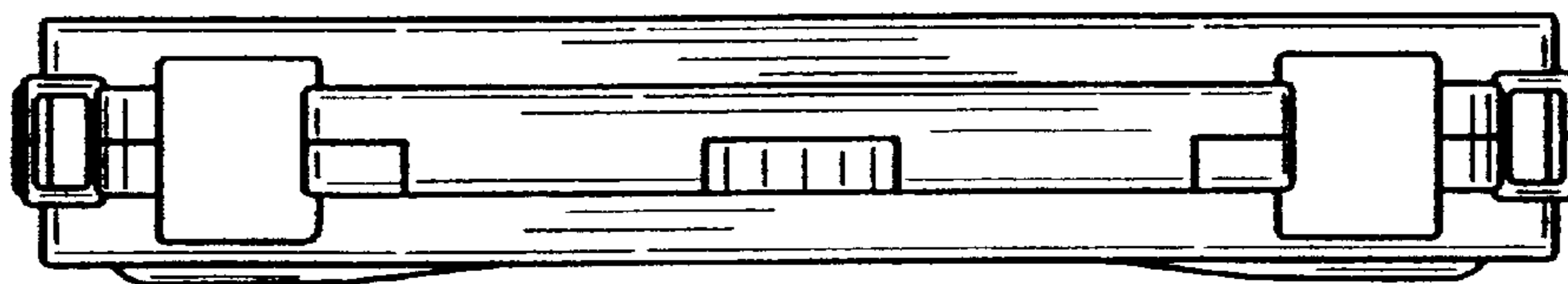


FIG. 5

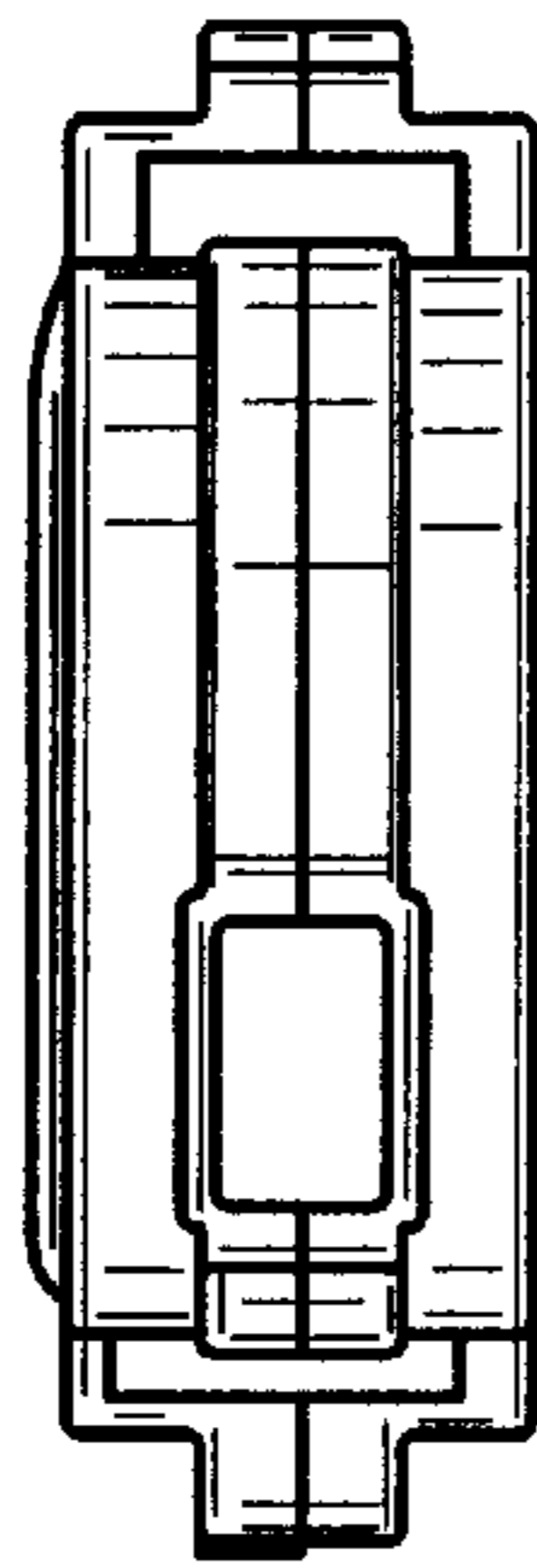


FIG. 6

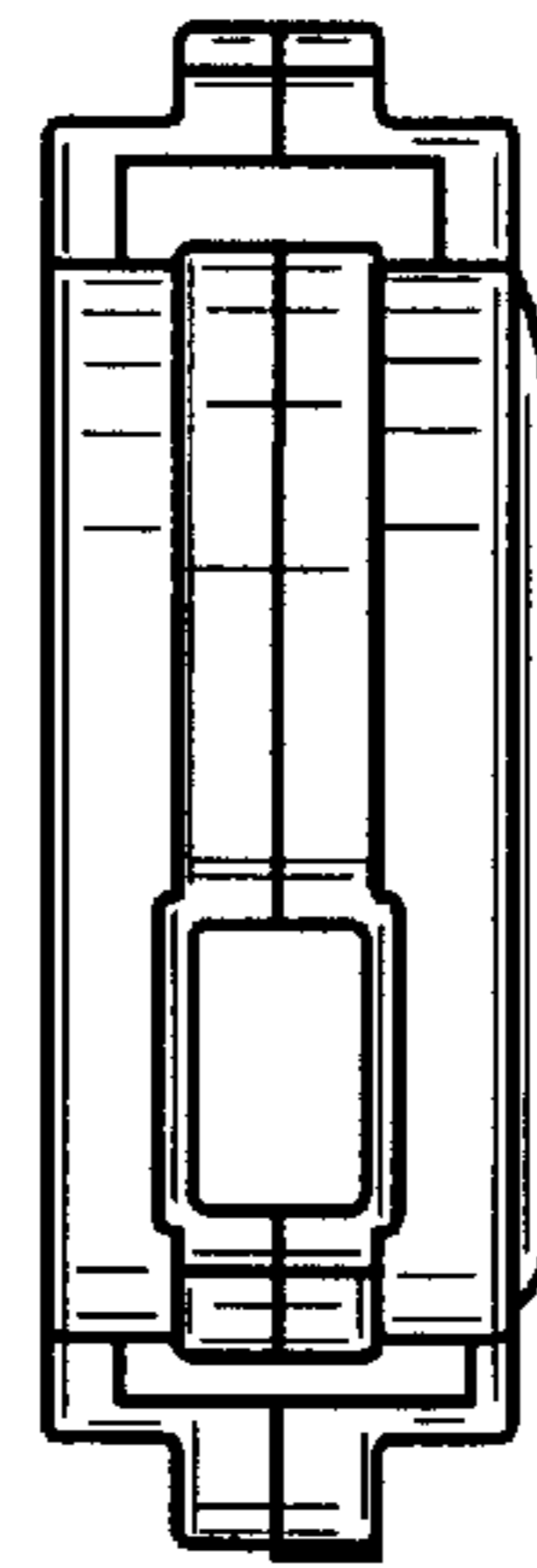


FIG. 7

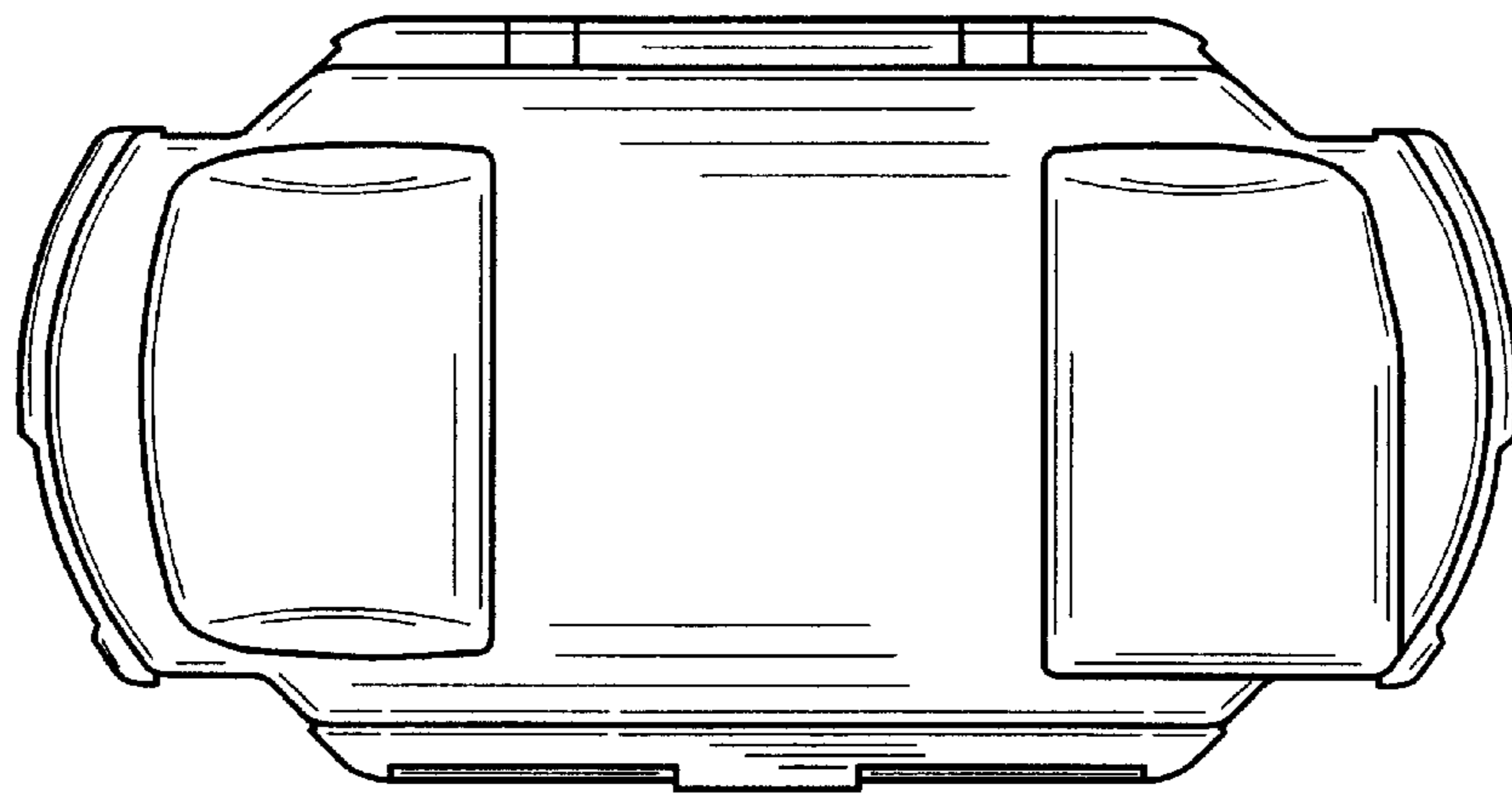


FIG. 8