

US00D542027S

(12) **United States Design Patent**  
**Kha**

(10) **Patent No.:** **US D542,027 S**

(45) **Date of Patent:** **\*\* \*May 8, 2007**

(54) **HANDCUFF CASE**

(76) Inventor: **Yauna Kha**, 5107 Aspen St., Ste. E,  
Schofield, WI (US) 54476

(\* ) Notice: This patent is subject to a terminal disclaimer.

(\*\*) Term: **14 Years**

(21) Appl. No.: **29/255,512**

(22) Filed: **Mar. 9, 2006**

(51) **LOC (8) Cl.** ..... **03-01**

(52) **U.S. Cl.** ..... **D3/215; D3/226**

(58) **Field of Classification Search** ..... 224/198,  
224/193, 245, 250, 255, 231, 162, 242, 269,  
224/627, 681; D3/222, 226, 229, 230, 201,  
D3/225, 100, 101, 102, 104, 105, 106; D2/630  
See application file for complete search history.

(56) **References Cited**

**U.S. PATENT DOCUMENTS**

1,517,588	A	*	12/1924	Sasaki	.....	224/242
D232,025	S	*	7/1974	Hershman	.....	D3/222
3,826,414	A	*	7/1974	Valadez	.....	224/231
3,870,208	A	*	3/1975	Theodore	.....	224/250
D237,428	S	*	11/1975	Baker	.....	D3/226
D238,629	S	*	2/1976	Tibbetts	.....	D3/230
D296,269	S	*	6/1988	Richardson et al.	.....	D3/226
4,750,652	A	*	6/1988	Grant	.....	224/627
4,852,784	A		8/1989	Burton, Jr.		
D331,497	S	*	12/1992	Dixon	.....	D3/222
D338,106	S		8/1993	Elam		
D344,630	S	*	3/1994	Doerksen	.....	D3/230

D364,038	S		11/1995	Stanchin		
5,511,706	A		4/1996	Hendrickson		
5,918,786	A		7/1999	Wise		
2005/0115997	A1	*	6/2005	Nouvel De La Fleche	.	224/162

\* cited by examiner

*Primary Examiner*—Louis S. Zarfes

*Assistant Examiner*—Anna Dworzecka

(74) *Attorney, Agent, or Firm*—Randal D. Homburg

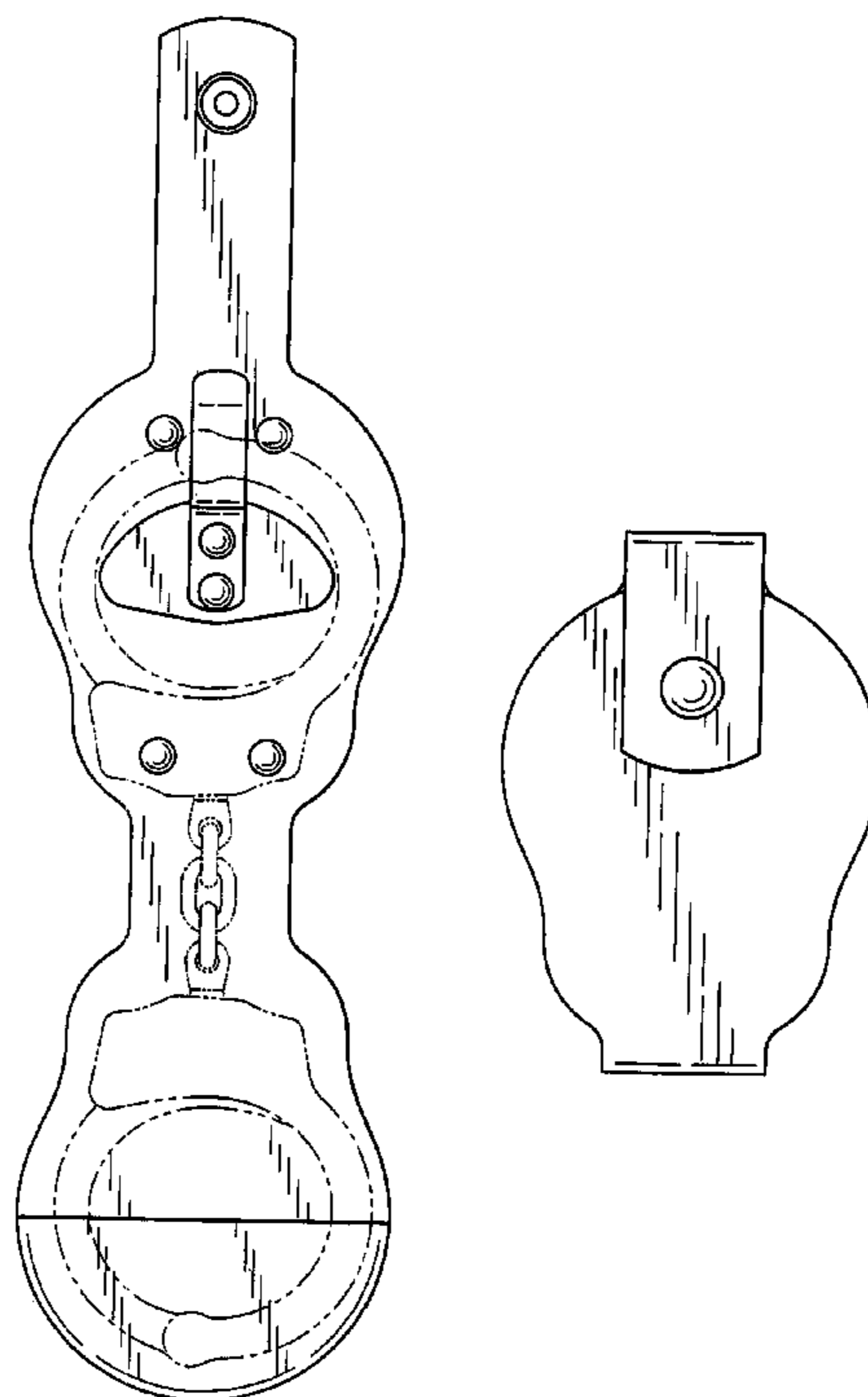
(57) **CLAIM**

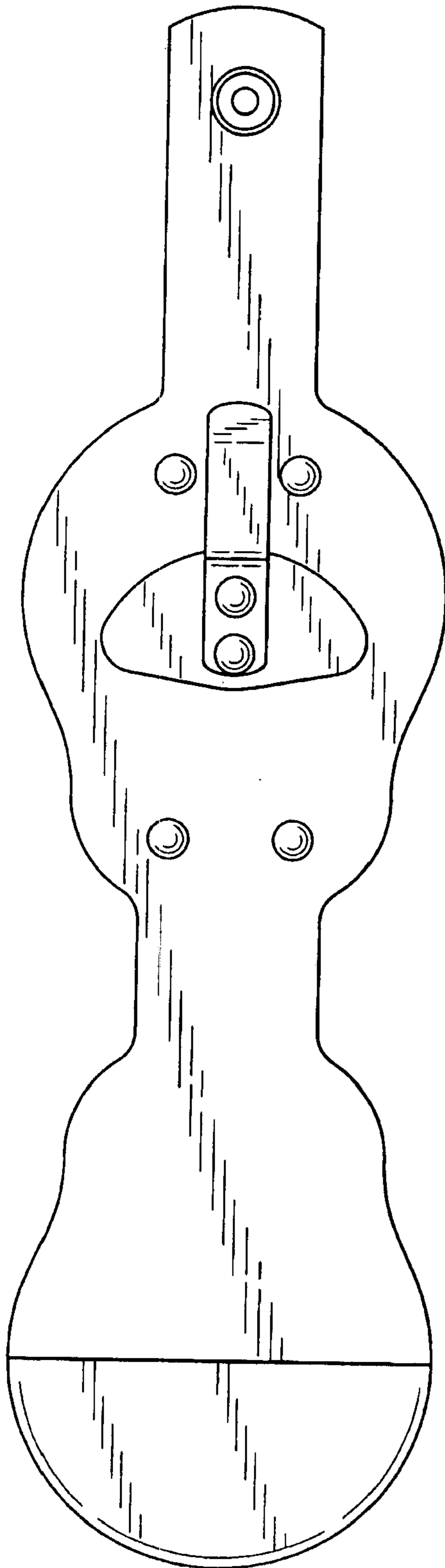
The ornamental design for a handcuff case, as shown and described.

**DESCRIPTION**

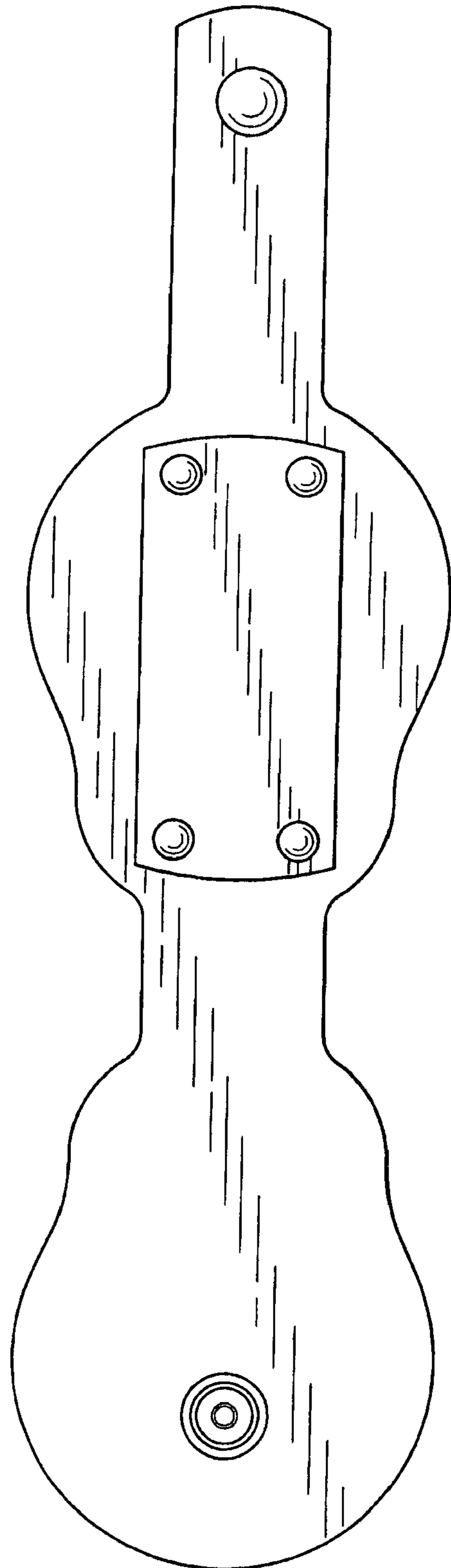
FIG. 1 is a front view of the handcuff case.  
 FIG. 2 is a rear view of the handcuff case.  
 FIG. 3 is a top view of the handcuff case.  
 FIG. 4 is a bottom view of the handcuff case.  
 FIG. 5 is a right side view of the handcuff case.  
 FIG. 6 is a left side view of the handcuff case.  
 FIG. 7 is the front view of the handcuff case with phantom lines indicating a set of handcuffs within the handcuff case for reference only, the handcuffs not being included as part of the disclosed invention.  
 FIG. 8 is a front view of the handcuff case in an alternative position; and,  
 FIG. 9 is a rear view of the handcuff case in an alternative position with phantom lines indicating the handcuff case on a belt, indicating the environment upon which the handcuffs case is used, the belt not being included as part of the disclosed invention.

**1 Claim, 3 Drawing Sheets**

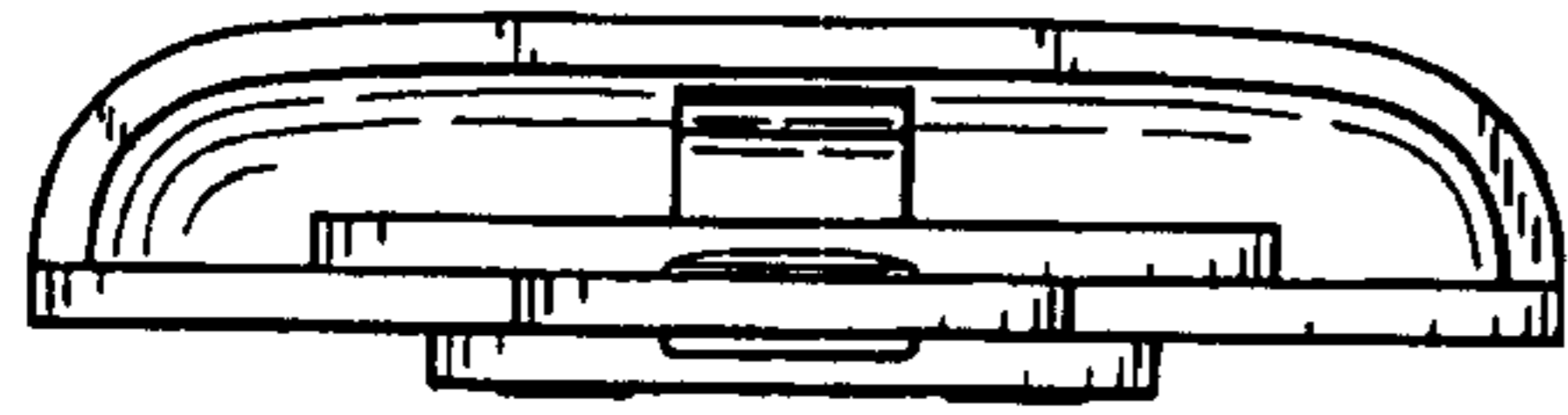




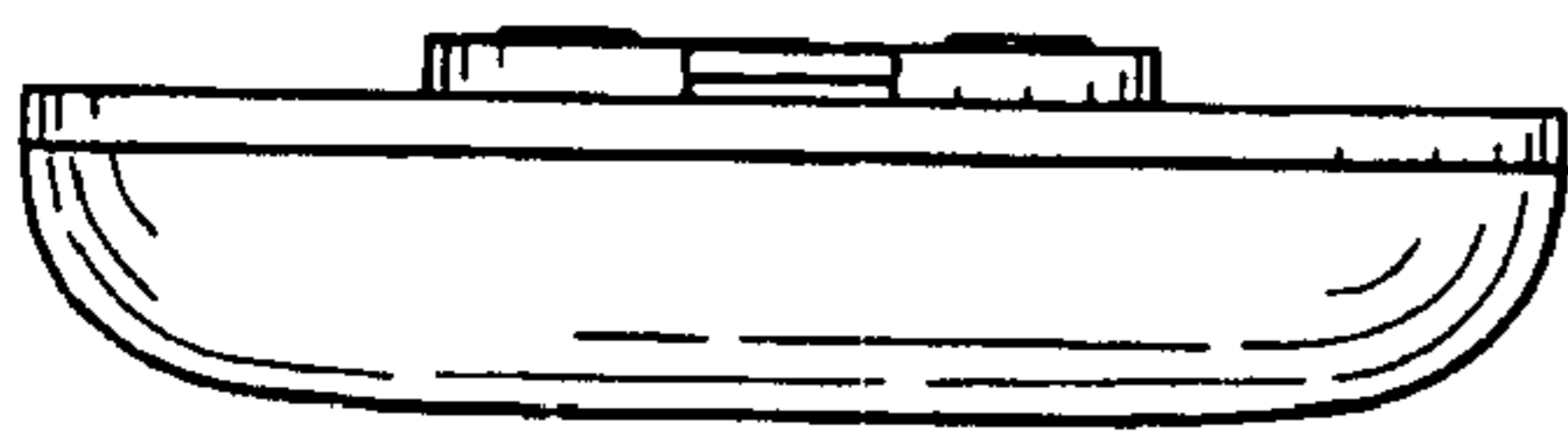
*FIG. 1*



*FIG. 2*



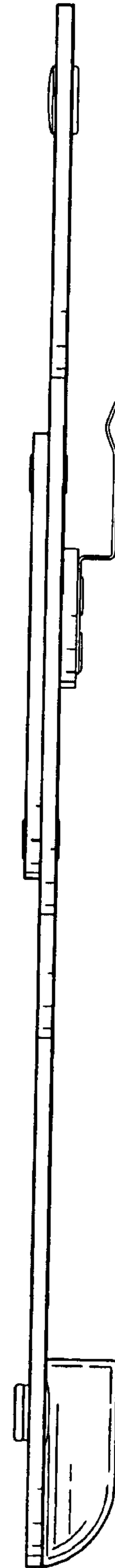
*FIG. 3*



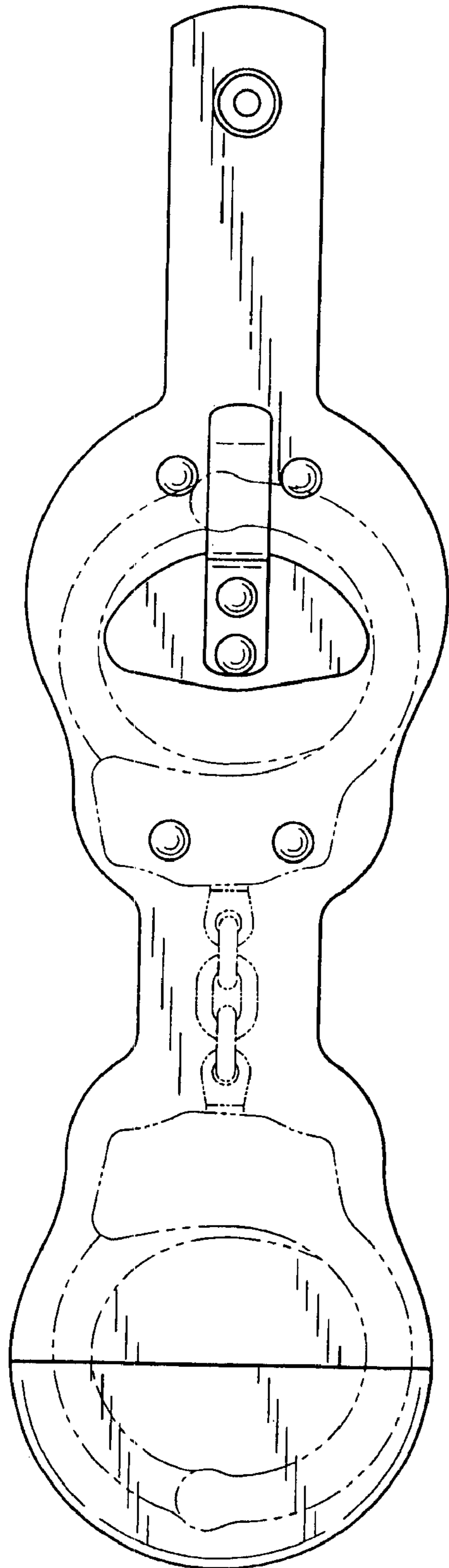
*FIG. 4*



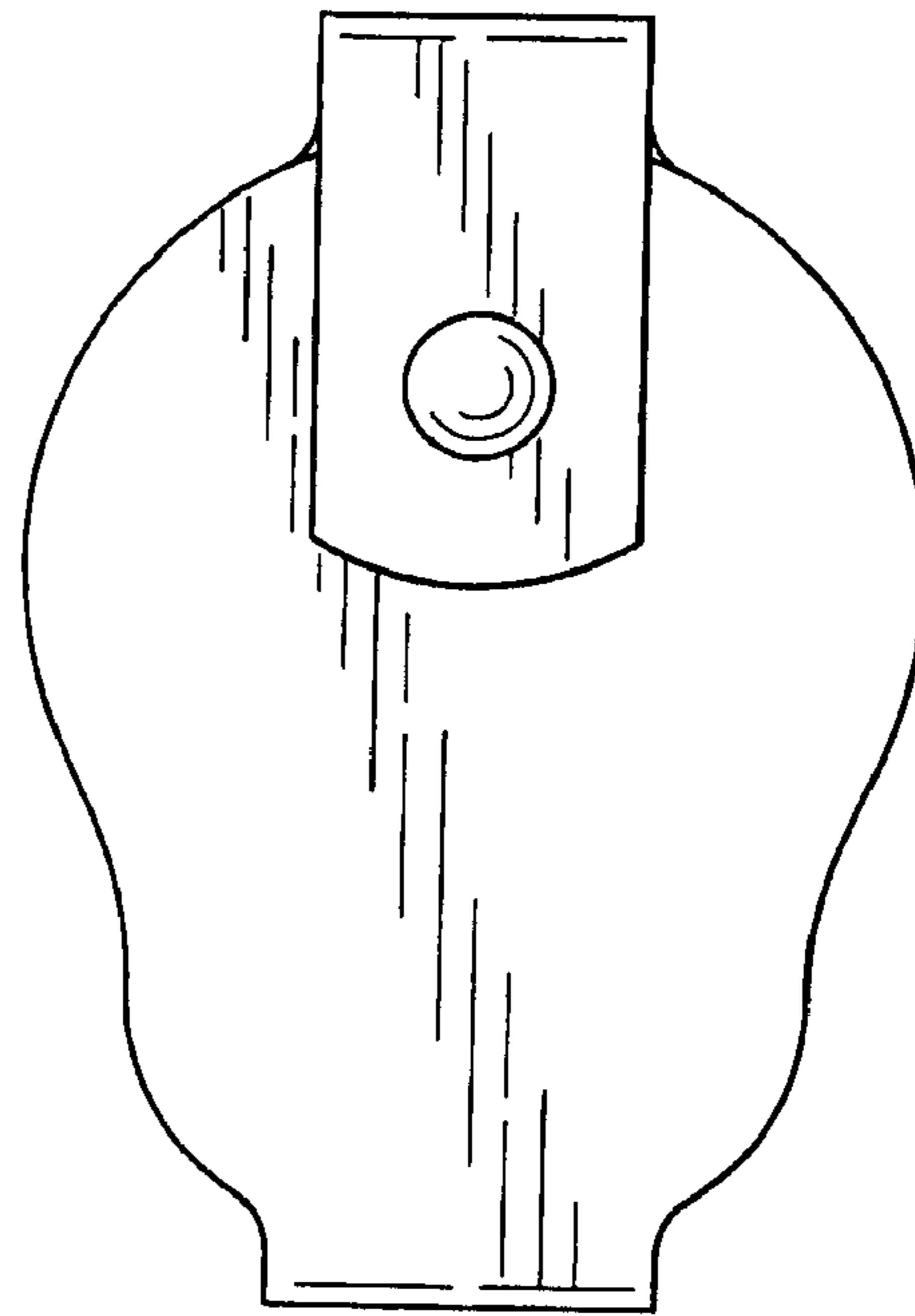
*FIG. 5*



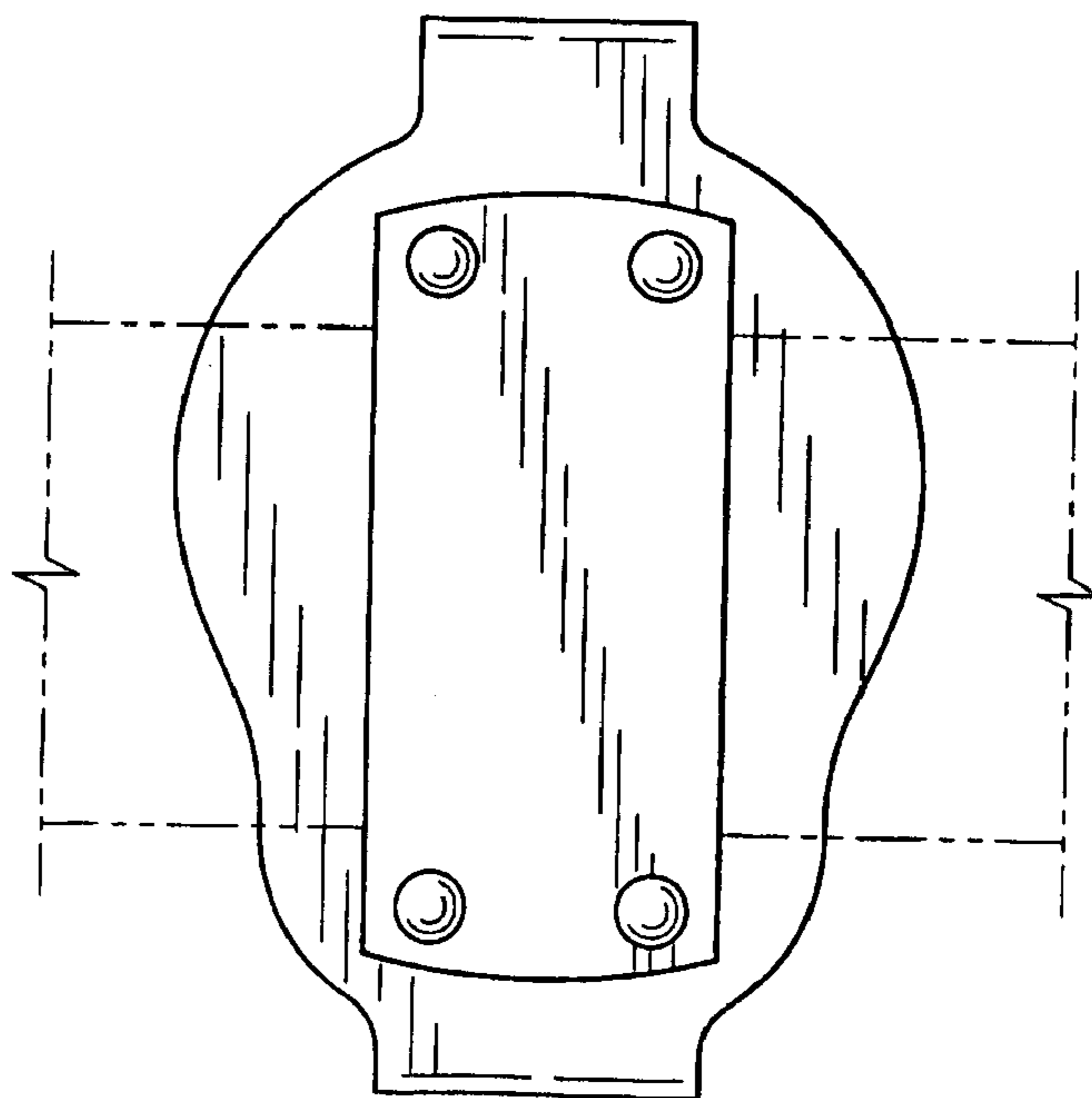
*FIG. 6*



**FIG. 7**



**FIG. 8**



**FIG. 9**