

US00D542014S

(12) **United States Design Patent**
McClaskie

(10) **Patent No.:** **US D542,014 S**

(45) **Date of Patent:** **** May 8, 2007**

- (54) **OUTSOLE FOR A SHOE**
- (75) Inventor: **Thomas E. McClaskie**, Bethlehem, PA (US)
- (73) Assignee: **Columbia Insurance Company**, Omaha, NE (US)
- (**) Term: **14 Years**
- (21) Appl. No.: **29/224,986**
- (22) Filed: **Mar. 9, 2005**
- (51) **LOC (8) Cl.** **02-04**
- (52) **U.S. Cl.** **D2/951; D2/947**
- (58) **Field of Classification Search** D2/902, D2/946-949, 951-960; 36/3 B, 22 R, 25 R, 36/32 A, 32 R
See application file for complete search history.

- 4,231,170 A 11/1980 Griswold 36/72
- D257,700 S * 12/1980 Famolare, Jr. D2/951
- D262,158 S * 12/1981 Bartneck D2/951
- 4,356,643 A * 11/1982 Kester et al. 36/59 C
- 4,366,629 A 1/1983 Scherz 36/4
- 4,562,652 A 1/1986 Hensler 36/102
- 4,908,963 A 3/1990 Krajcir et al. 36/77
- 4,995,174 A 2/1991 Hong et al. 36/72
- 5,048,203 A 9/1991 Kling 36/45
- 5,499,459 A 3/1996 Tomaro 36/10
- 5,526,584 A 6/1996 Bleimhofer et al. 36/10
- D391,042 S * 2/1998 Merceron D2/951
- 5,738,937 A 4/1998 Baychar 428/316.6
- D395,336 S * 6/1998 Ball D2/947
- D426,947 S * 6/2000 Pollastrelli D2/956
- D455,002 S * 4/2002 Holden D2/916
- D457,292 S * 5/2002 Sessa D2/949
- 6,571,491 B2 * 6/2003 Safdeye et al. 36/59 R
- D476,798 S * 7/2003 Reynolds et al. D2/951
- D482,851 S * 12/2003 McClaskie D2/956
- D489,166 S * 5/2004 McClaskie D2/953
- D494,347 S * 8/2004 McClaskie D2/952
- D495,477 S * 9/2004 McClaskie D2/956
- D497,243 S * 10/2004 McClaskie D2/951

(56) **References Cited**

U.S. PATENT DOCUMENTS

- 384,483 A * 6/1888 Walters 36/59 R
- D64,898 S * 6/1924 Gunlock D2/951
- 1,716,790 A * 6/1929 Mitchell 36/59 R
- D80,001 S * 11/1929 Wydon D2/952
- 1,974,543 A 9/1934 Reymond 12/142
- 2,046,217 A 6/1936 Strauss 36/72
- 2,079,237 A 5/1937 Allard 36/72
- 2,160,768 A 5/1939 Wasser 36/72
- 2,250,987 A * 7/1941 Dunbar 523/205
- 2,344,069 A 3/1944 Wasser 36/72
- 2,371,689 A * 3/1945 Gregg et al. 36/30 R
- 2,400,487 A * 5/1946 Clark 428/89
- 2,663,097 A * 12/1953 Giese, Jr. 36/9 R
- 3,091,871 A 6/1963 Tronche 36/72
- 3,175,310 A 3/1965 MacQuiad 36/72
- 3,175,311 A 3/1965 MacQuiad 36/72
- 3,191,321 A 6/1965 Brutting 36/2.5
- 3,213,551 A 10/1965 Krauss 36/2.5
- D205,026 S * 6/1966 Rosenbaum D2/951
- 3,407,518 A 10/1968 MacQuaid et al. 36/72
- 3,525,165 A 8/1970 Randall, Jr. 36/2.5
- 3,555,697 A * 1/1971 Dassier 36/129
- 3,561,142 A 2/1971 Streit et al. 36/72

(Continued)

Primary Examiner—Celia A. Murphy
(74) *Attorney, Agent, or Firm*—St. Onge Steward Johnston & Reens LLC

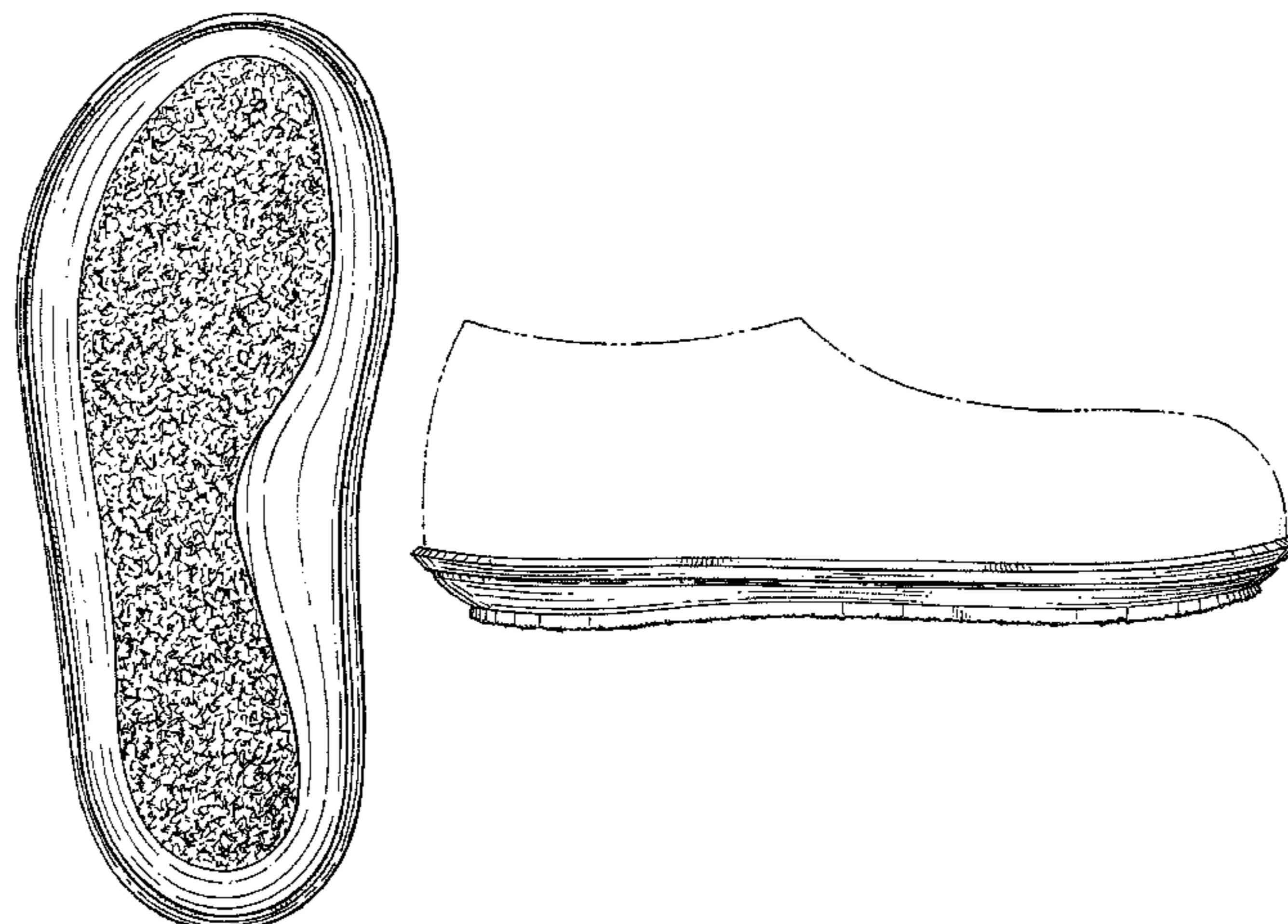
(57) **CLAIM**

I claim the ornamental design for an outsole for a shoe, as shown and described.

DESCRIPTION

FIG. 1 is a bottom view of an outsole for a shoe showing my new design;
FIG. 2 is a left side view thereof;
FIG. 3 is a right side view thereof;
FIG. 4 is a front view thereof;
FIG. 5 is a rear view thereof; and,
FIG. 6 is a bottom perspective view thereof.
The broken line showing a shoe upper in FIGS. 2-6 represent the portions of the design that form no part of the claim.

1 Claim, 4 Drawing Sheets



US D542,014 S

Page 2

U.S. PATENT DOCUMENTS			
D498,902 S	*	11/2004 Adams D2/951
D499,534 S	*	12/2004 McClaskie D2/951
D501,706 S	*	2/2005 McClaskie D2/954
D502,593 S	*	3/2005 McClaskie D2/951
D504,998 S	*	5/2005 McClaskie D2/959
D532,187 S	*	11/2006 McClaskie D2/952
			* cited by examiner

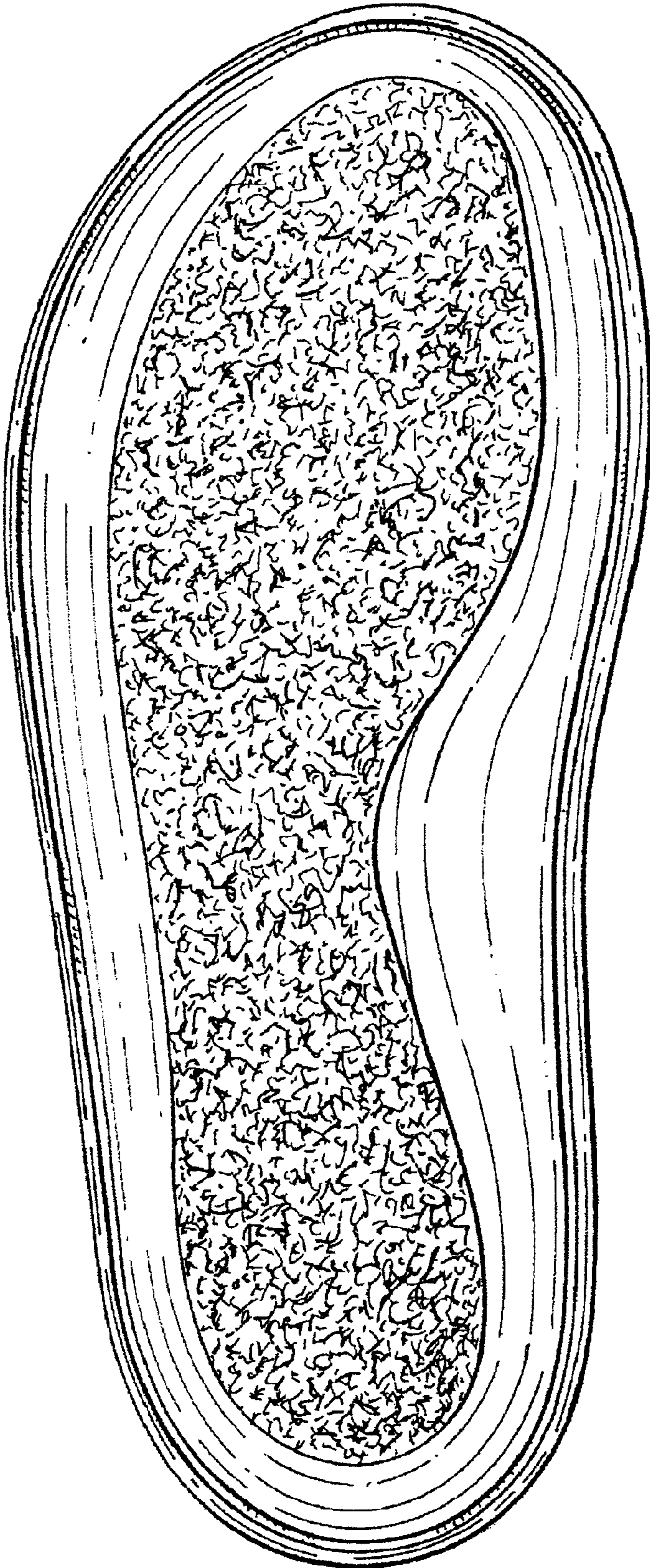


FIG. 1

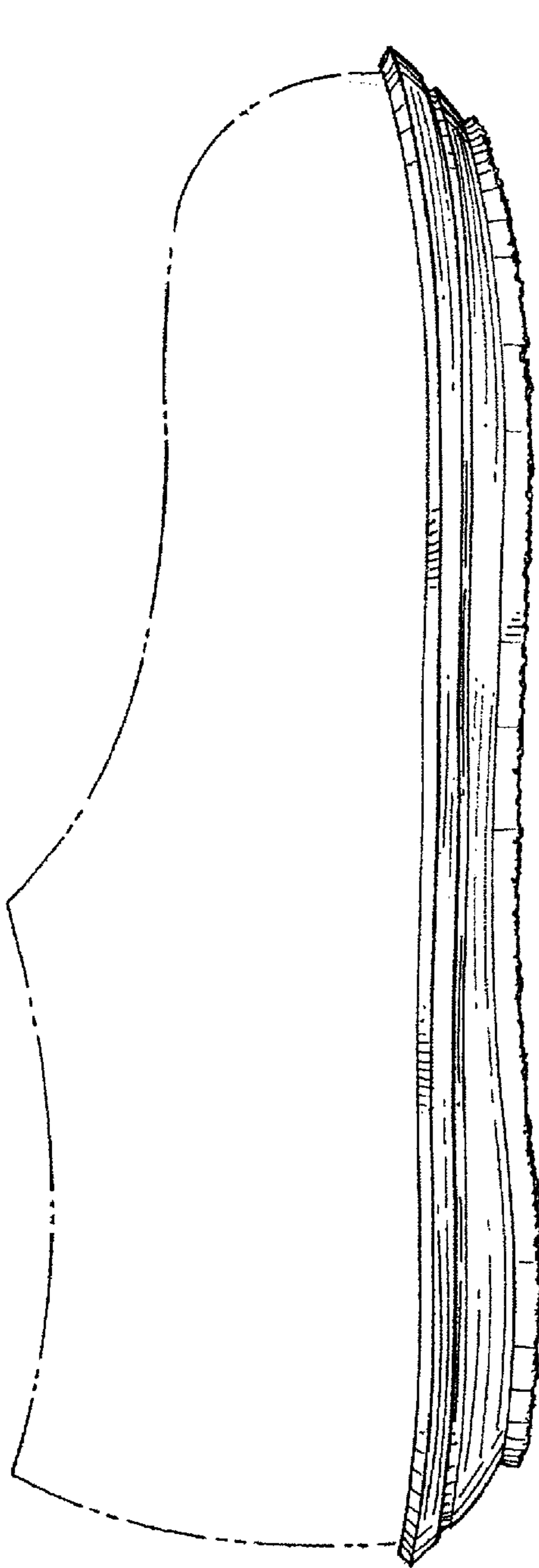


FIG. 2



FIG. 3

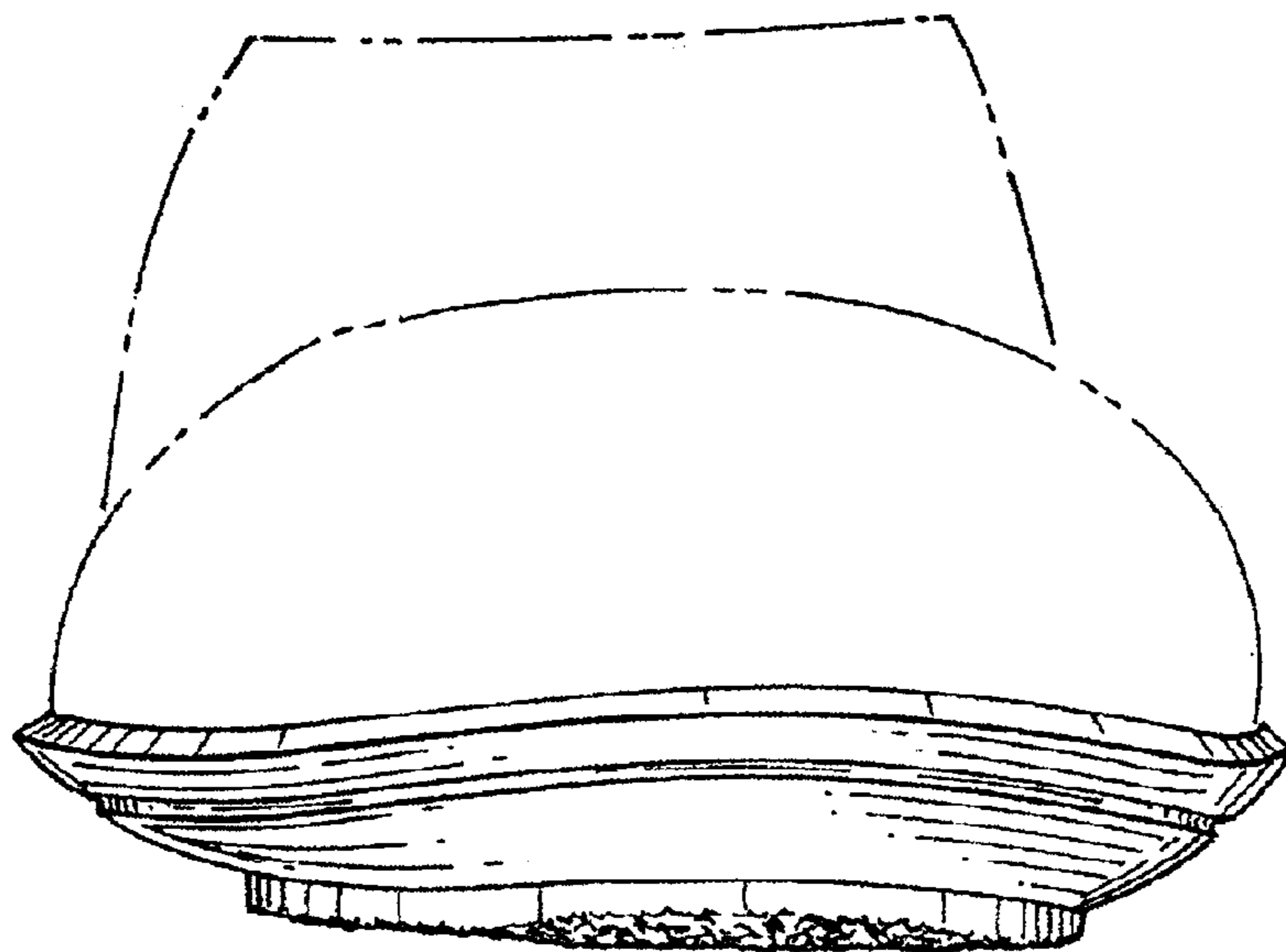


FIG. 4

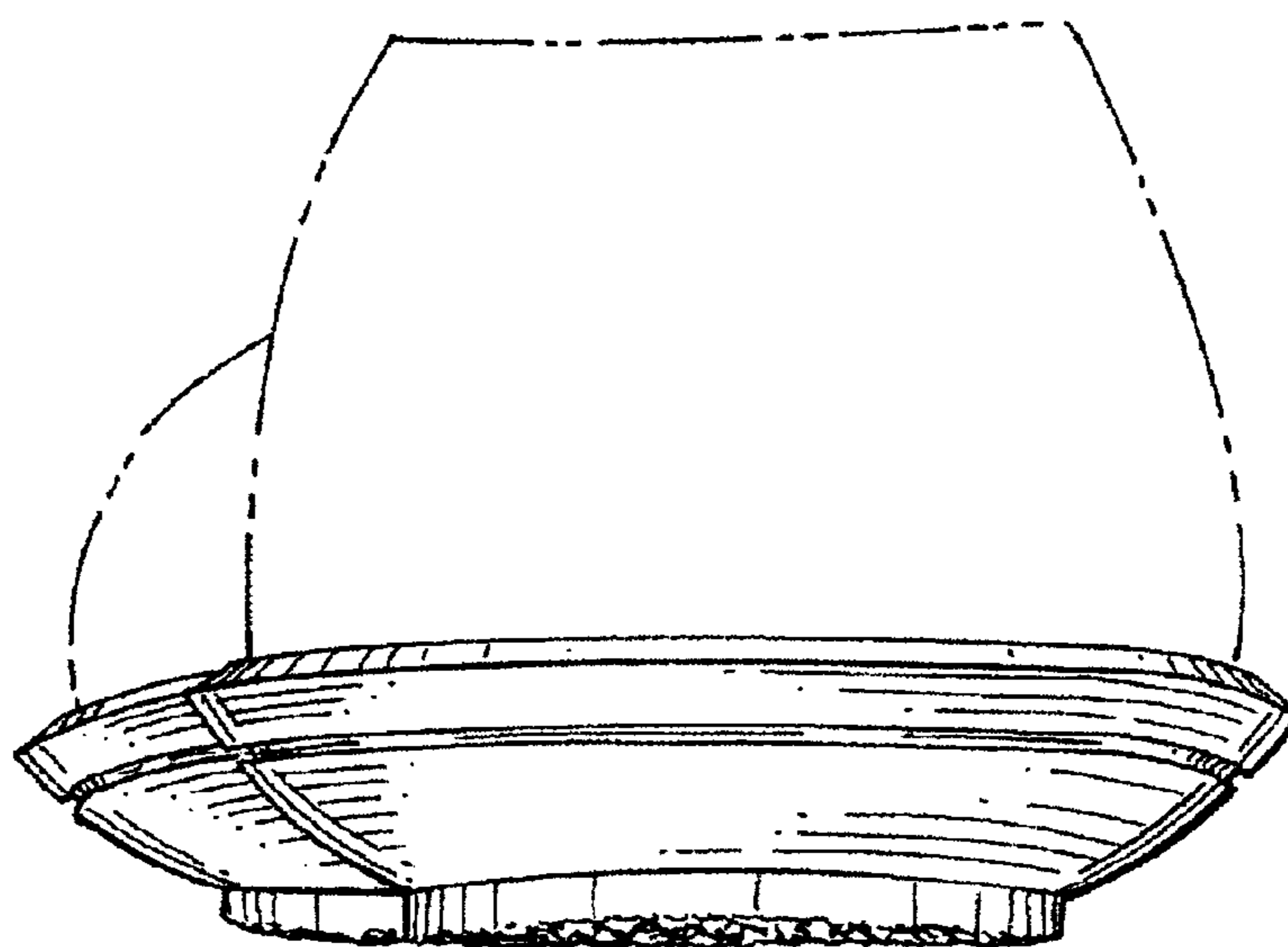


FIG. 5

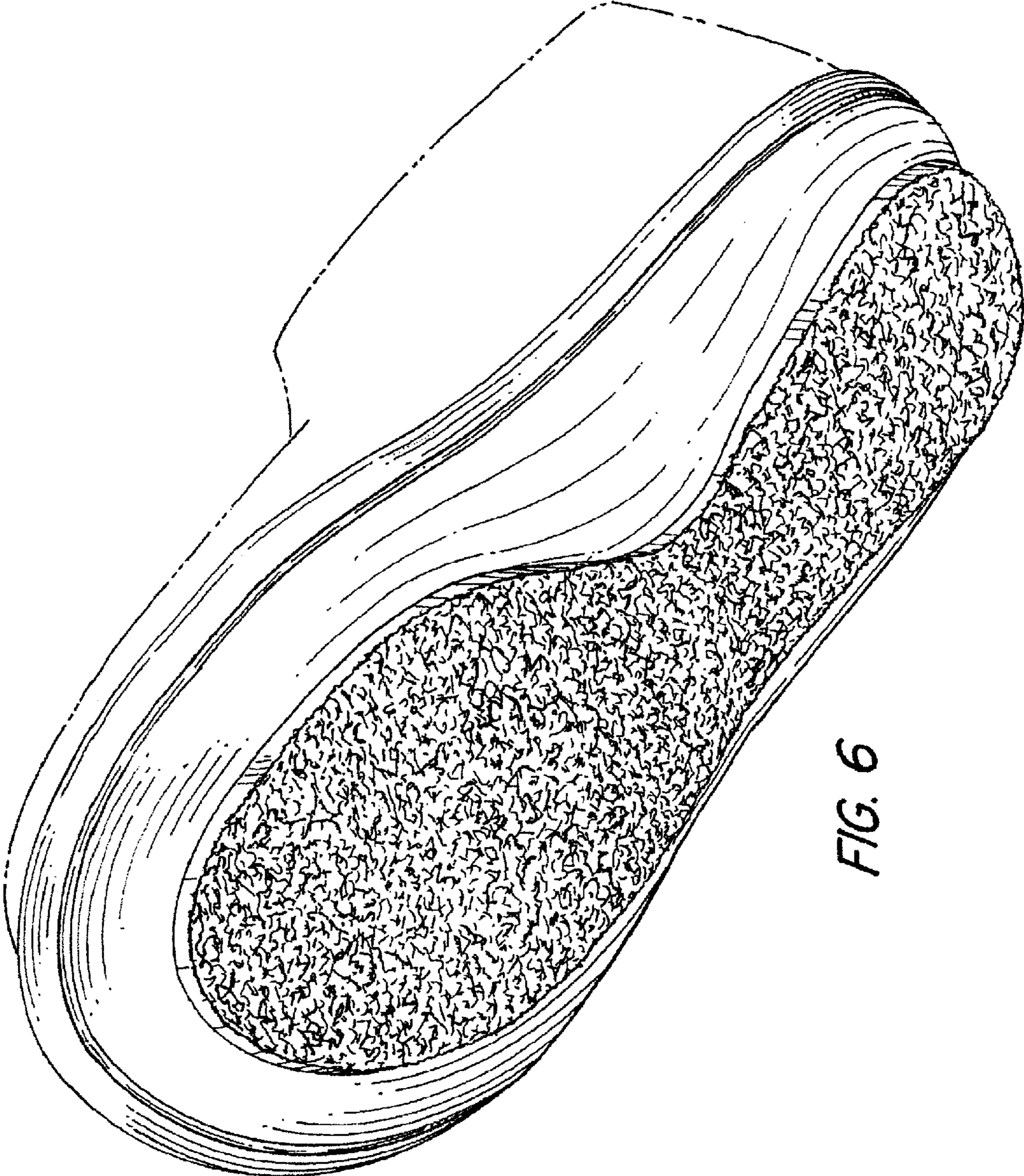


FIG. 6