



US00D542005S

(12) **United States Design Patent**  
**Weiner et al.**

(10) **Patent No.:** **US D542,005 S**

(45) **Date of Patent:** **\*\* May 1, 2007**

(54) **PALLET TRUCK FORKLIFT HAVING AN ENCLOSED CAB**

D362,099 S \* 9/1995 Heiler ..... D34/34

\* cited by examiner

(75) Inventors: **Scott M. Weiner**, Reisterstown, MD (US); **Tyrone P. Myers**, Frederick, MD (US)

*Primary Examiner*—Cynthia E. Ramirez

(74) *Attorney, Agent, or Firm*—Roylance, Abrams, Berdo & Goodman, L.L.P.

(73) Assignee: **Chambersburg Cold Storage, L.P.**, Owings Mills, MD (US)

(57) **CLAIM**

The ornamental design for a pallet truck forklift having an enclosed cab, as shown and described.

(\*\*) Term: **14 Years**

**DESCRIPTION**

(21) Appl. No.: **29/256,482**

FIG. 1 is a perspective view of a pallet truck forklift having an enclosed cab in accordance with the present invention; FIG. 2 is a front elevational view of the pallet truck forklift having an enclosed cab illustrated in FIG. 1;

(22) Filed: **Mar. 22, 2006**

(51) **LOC (8) Cl.** ..... **12-05**

(52) **U.S. Cl.** ..... **D34/34**

(58) **Field of Classification Search** ..... D34/28, D34/34; 414/529, 785, 607, 572; 180/89, 180/12, 89.14, 89.17

FIG. 3 is a rear elevational view of the pallet truck forklift having an enclosed cab illustrated in FIGS. 1 and 2;

FIG. 4 is a right side elevational view of the pallet truck forklift having an enclosed cab illustrated in FIGS. 1–3;

FIG. 5 is a left side elevational view of the pallet truck forklift having an enclosed cab illustrated in FIGS. 1–4; and, FIG. 6 is a top plan view of the pallet truck forklift having an enclosed cab illustrated in FIG. 5.

See application file for complete search history.

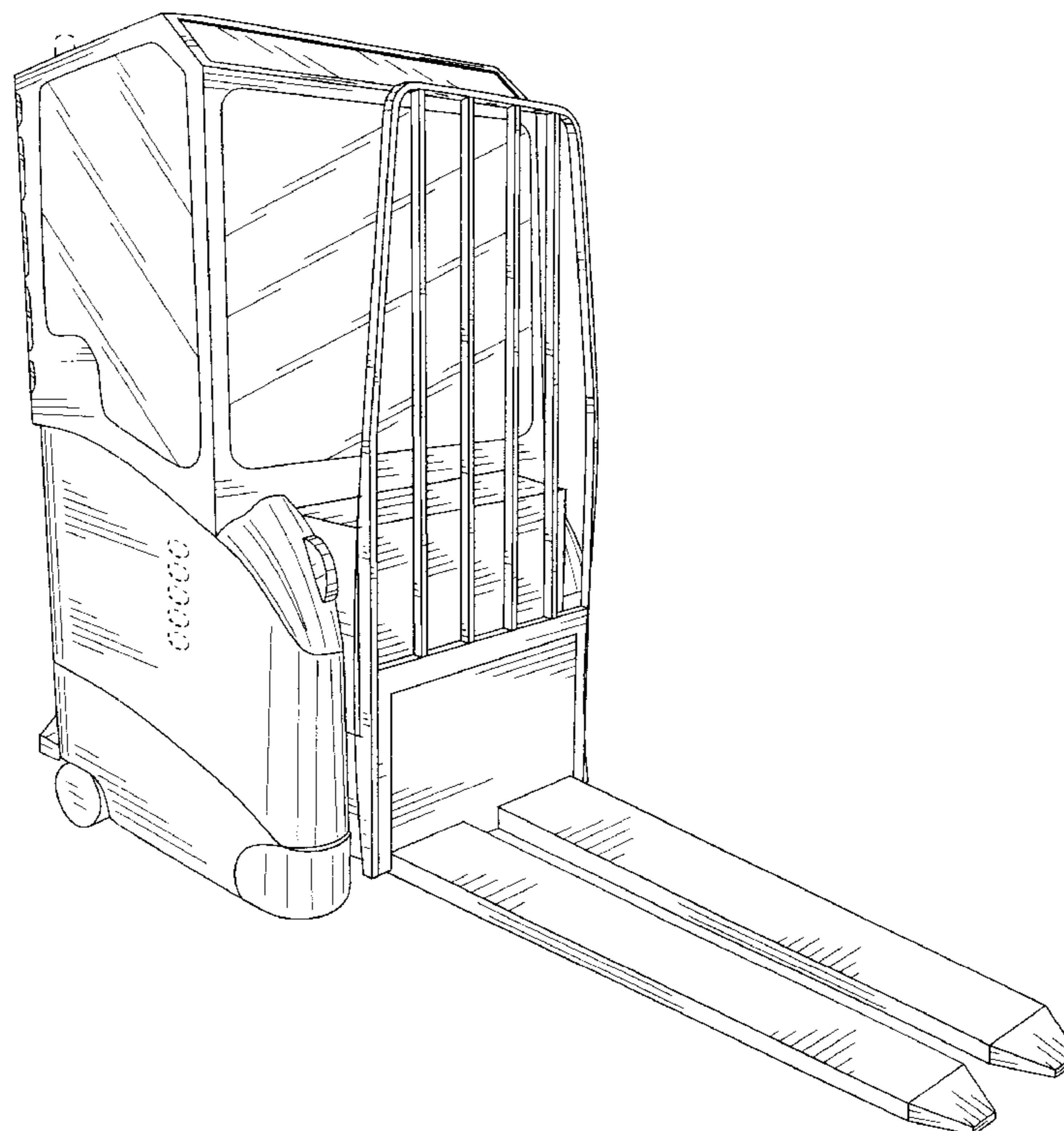
The broken lines are shown for illustrative purposes only and form no part of the claimed design. A bottom plan view is not illustrated because the bottom of the pallet truck forklift having an enclosed cab of the present invention forms no part of the claimed design.

(56) **References Cited**

**U.S. PATENT DOCUMENTS**

- D222,694 S \* 12/1971 Goodacre ..... D34/34
- 4,392,669 A \* 7/1983 Martin, Jr. .... 280/775
- D313,100 S \* 12/1990 Soederberg ..... D34/28
- D358,925 S \* 5/1995 Chung et al. .... D34/34

**1 Claim, 4 Drawing Sheets**



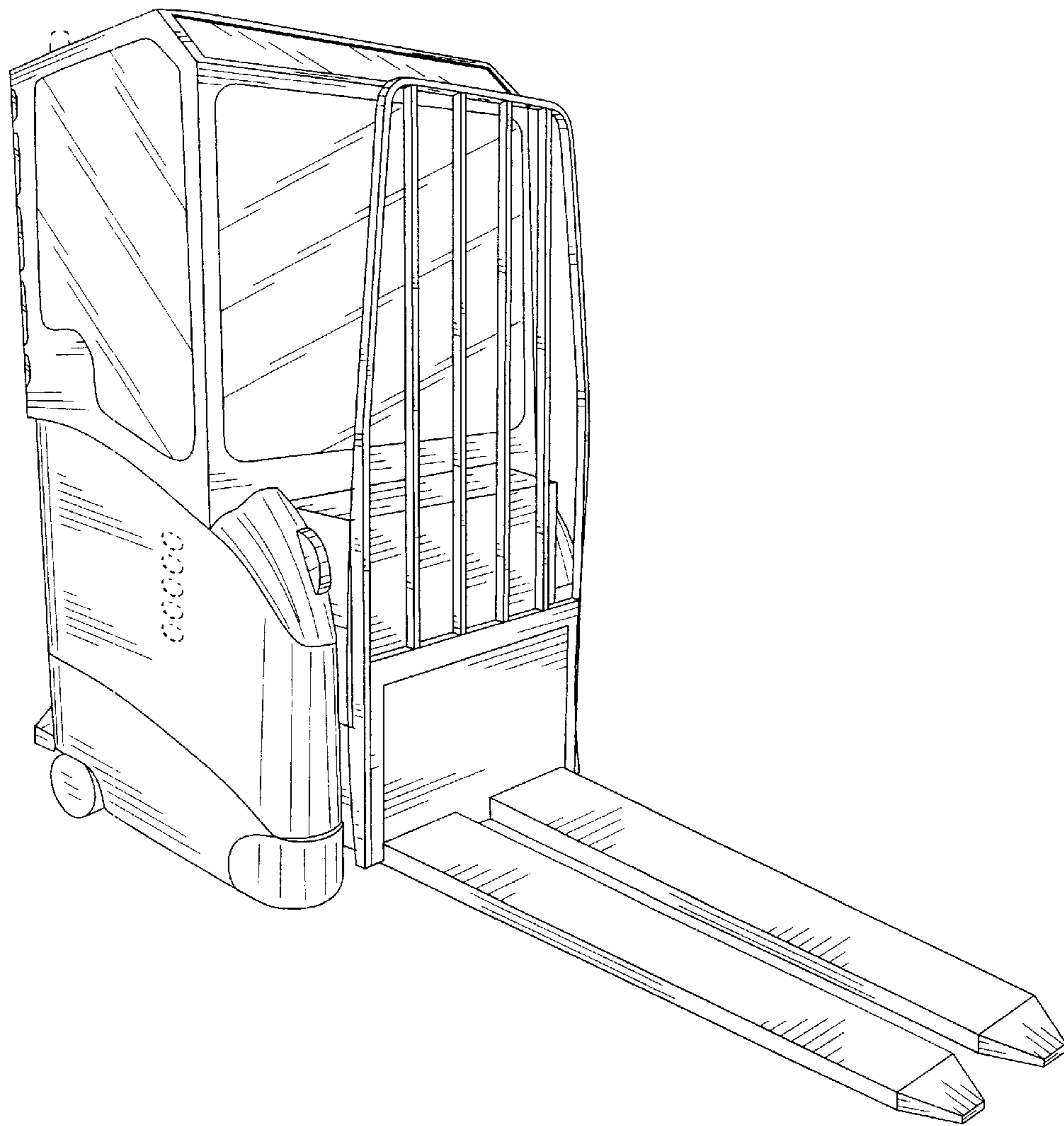


FIG. 1

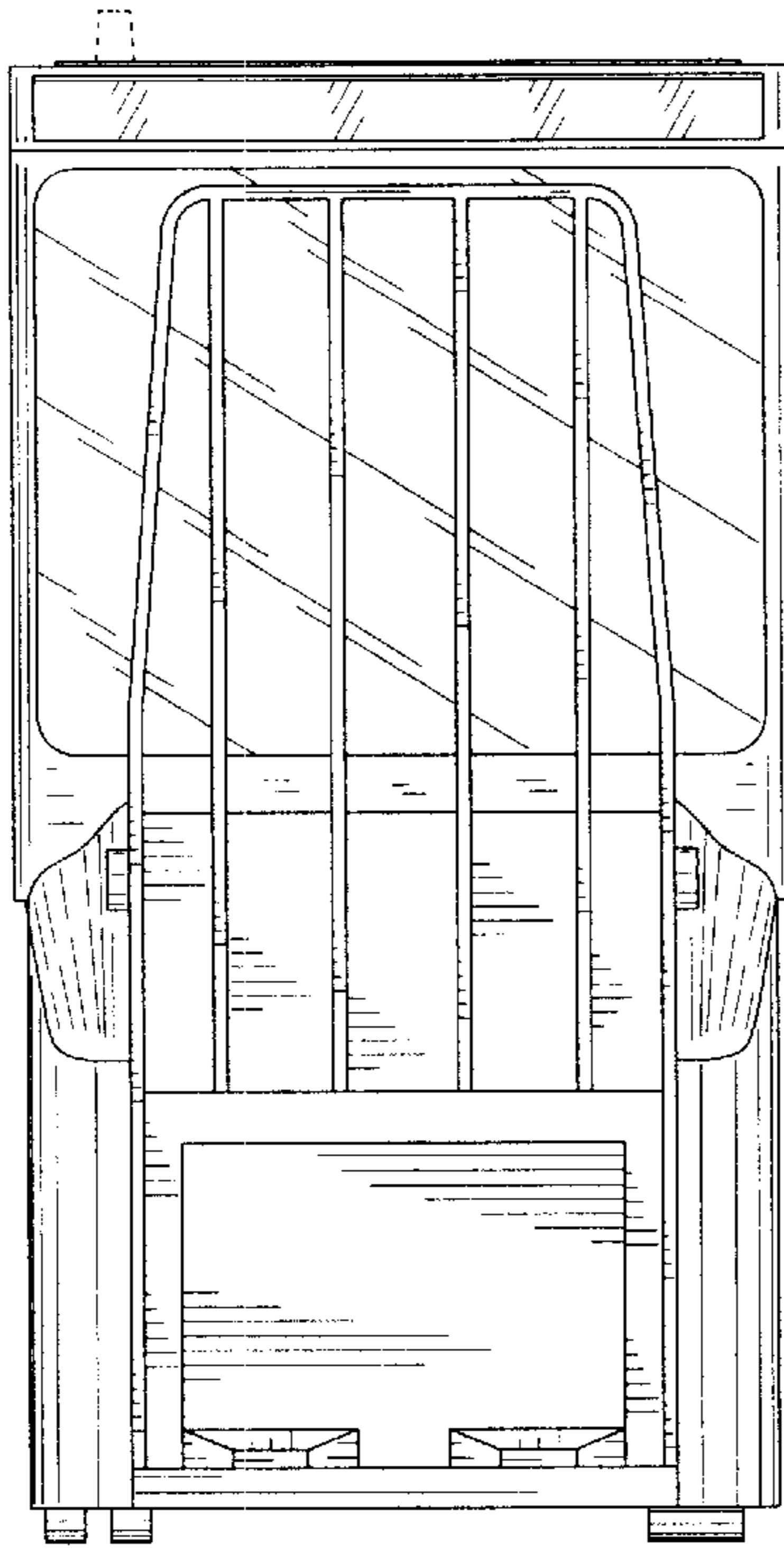


FIG. 2

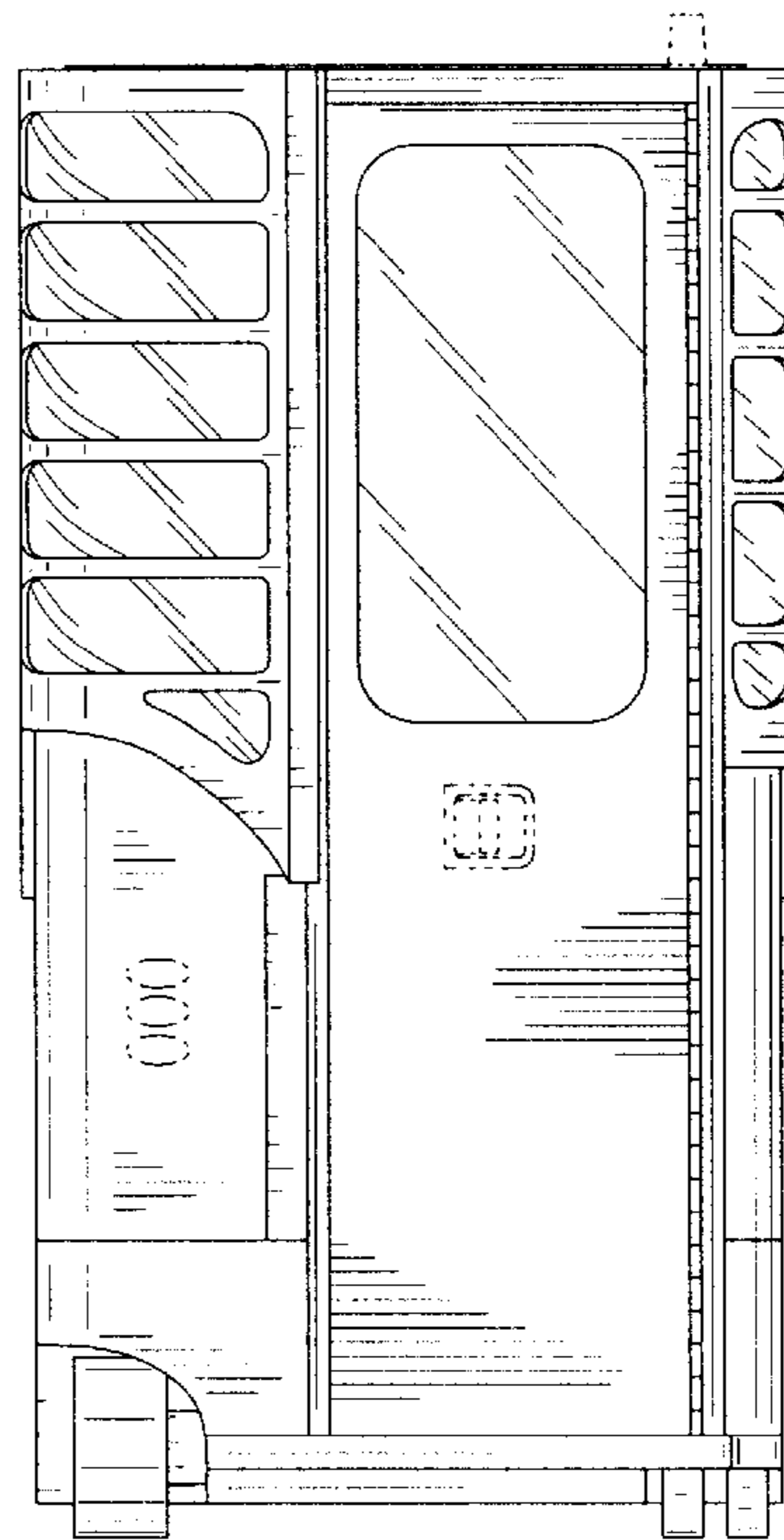


FIG. 3

FIG. 4

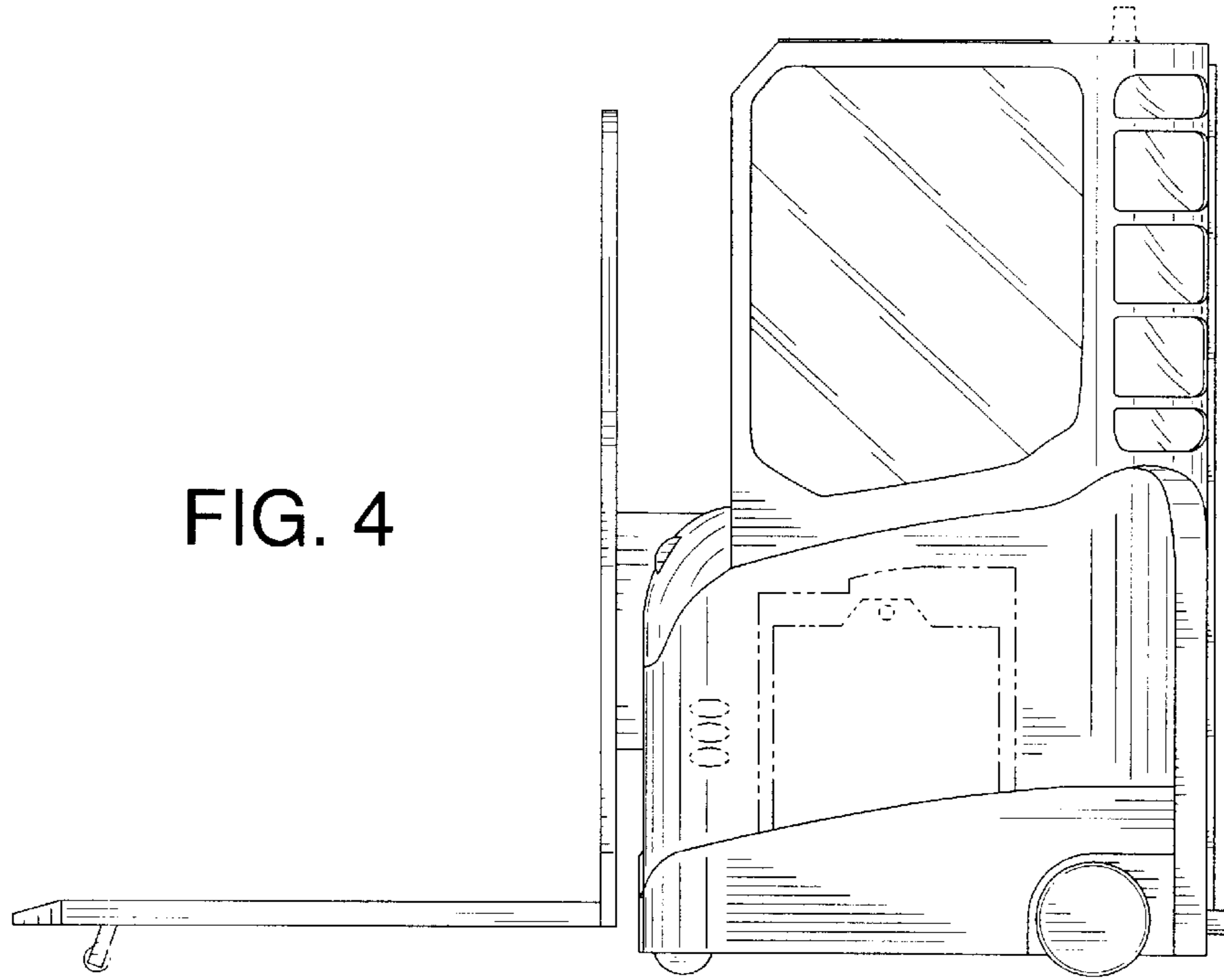
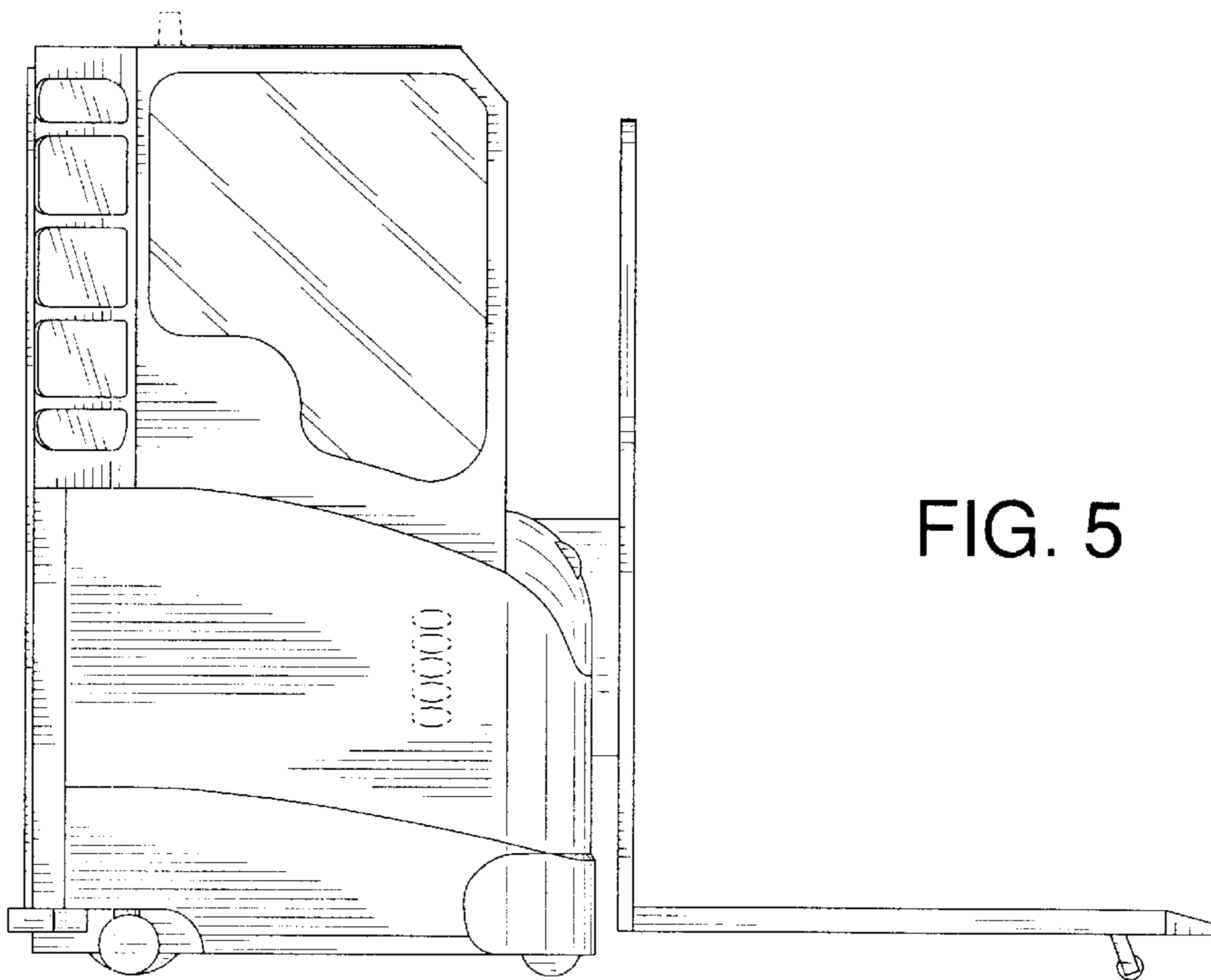


FIG. 5



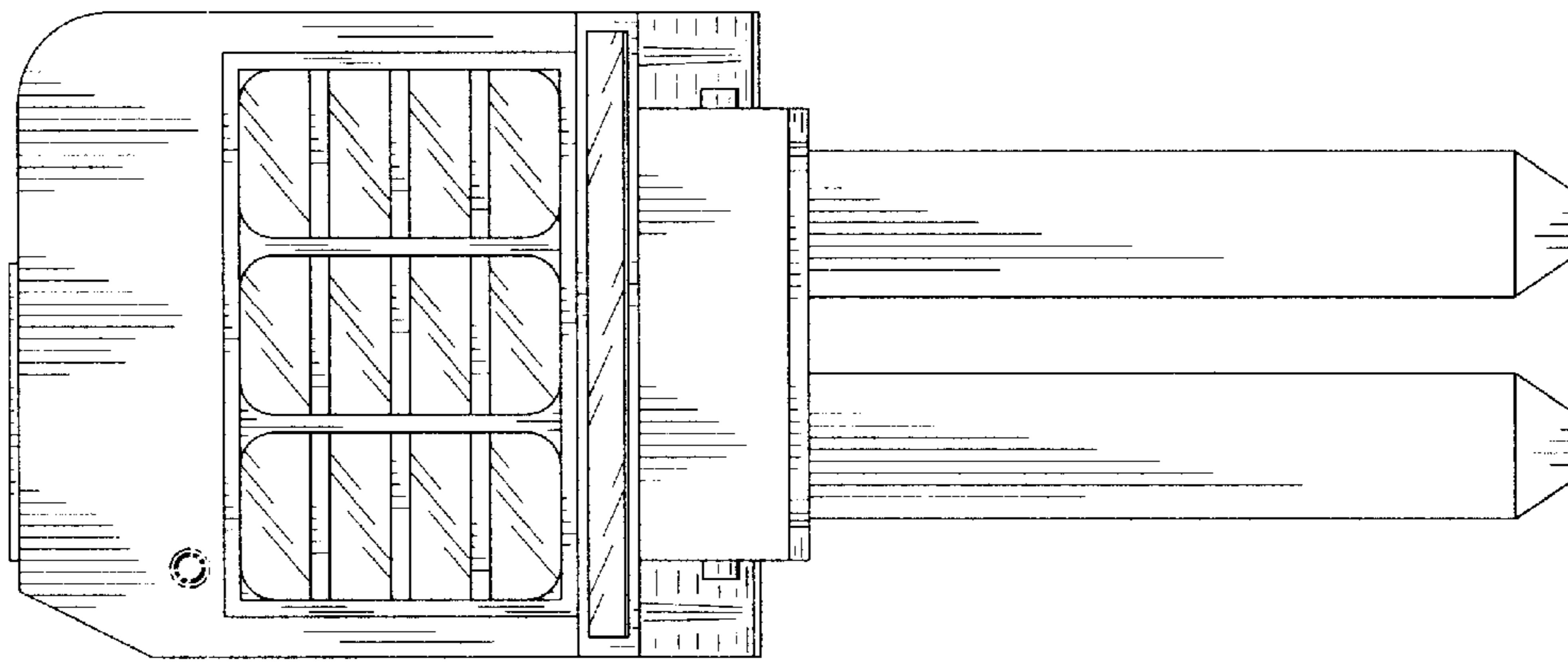


FIG. 6