

US00D542004S

(12) **United States Design Patent**
Righi

(10) **Patent No.:** **US D542,004 S**

(45) **Date of Patent:** **** May 1, 2007**

(54) **LIFT TRUCK**

(75) Inventor: **Vanni Righi**, Correggio (IT)

(73) Assignee: **Cesab Carrelli Elevatori S.p.A.**,
Bologna (IT)

(**) Term: **14 Years**

(21) Appl. No.: **29/256,407**

(22) Filed: **Mar. 21, 2006**

(30) **Foreign Application Priority Data**

Sep. 22, 2005 (EM) 000404660

(51) **LOC (8) Cl.** **12-05**

(52) **U.S. Cl.** **D34/34**

(58) **Field of Classification Search** D34/34;
414/572, 592; 180/98.12, 89.13, 89.17; 187/222,
187/237

See application file for complete search history.

(56) **References Cited**

U.S. PATENT DOCUMENTS

- D353,931 S * 12/1994 Kobayakawa et al. D34/34
- D361,645 S * 8/1995 Heiler D34/34
- D362,099 S * 9/1995 Heiler D34/34
- D374,752 S * 10/1996 Lee et al. D34/34

- D376,242 S * 12/1996 Jung et al. D34/34
- D389,981 S * 1/1998 Donaldson D34/34
- D395,115 S * 6/1998 Russey et al. D34/34
- D411,681 S * 6/1999 Murakami et al. D34/34
- D412,385 S * 7/1999 Murakami et al. D34/34
- D432,753 S * 10/2000 Braud D34/34
- D441,936 S * 5/2001 Brandt et al. D34/28
- D448,136 S * 9/2001 Yurushi et al. D34/34
- D469,236 S * 1/2003 Mitsuyoshi et al. D34/34

* cited by examiner

Primary Examiner—Cynthia E. Ramirez

(74) *Attorney, Agent, or Firm*—Nixon & Vanderhye P.C.

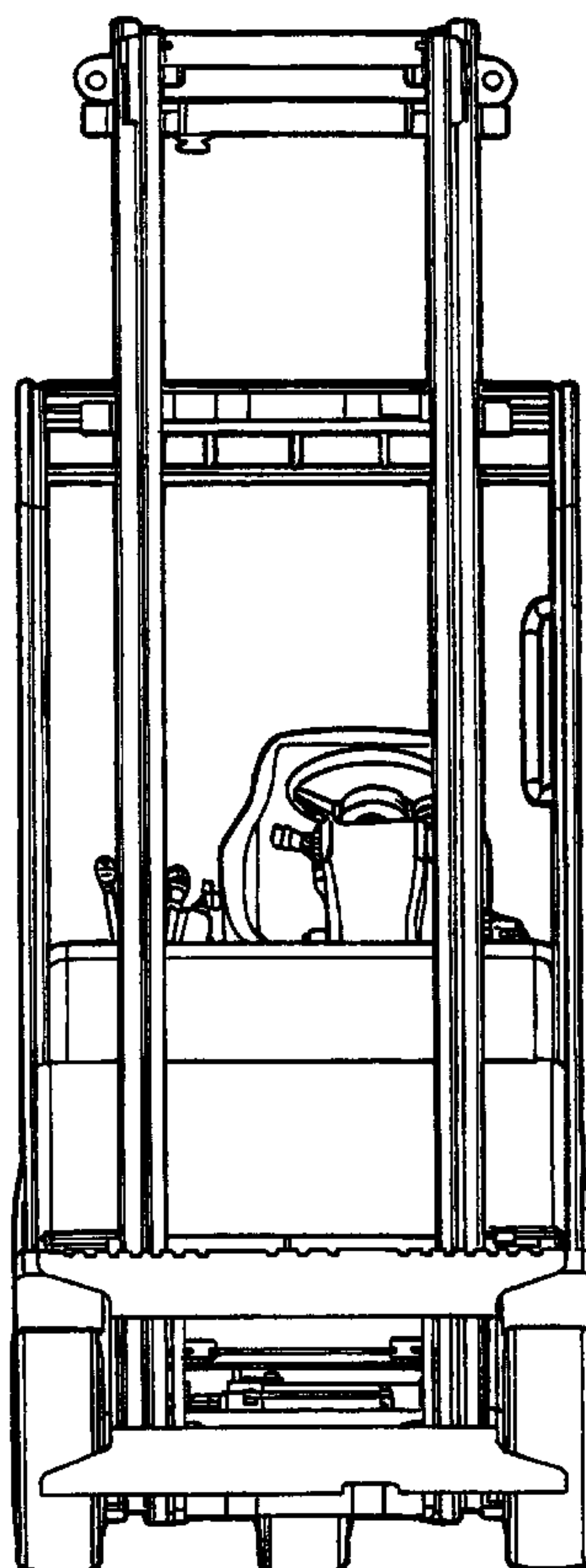
(57) **CLAIM**

The ornamental design for a “lift truck,” as shown and described.

DESCRIPTION

- FIG. 1 is a front view of a lift truck of my design;
- FIG. 2 is a left-side view;
- FIG. 3 is a rear top perspective view;
- FIG. 4 is a front top perspective view;
- FIG. 5 is a rear view;
- FIG. 6 is a right-side view;
- FIG. 7 is an enlarged top view; and,
- FIG. 8 is an enlarged bottom view.

1 Claim, 8 Drawing Sheets



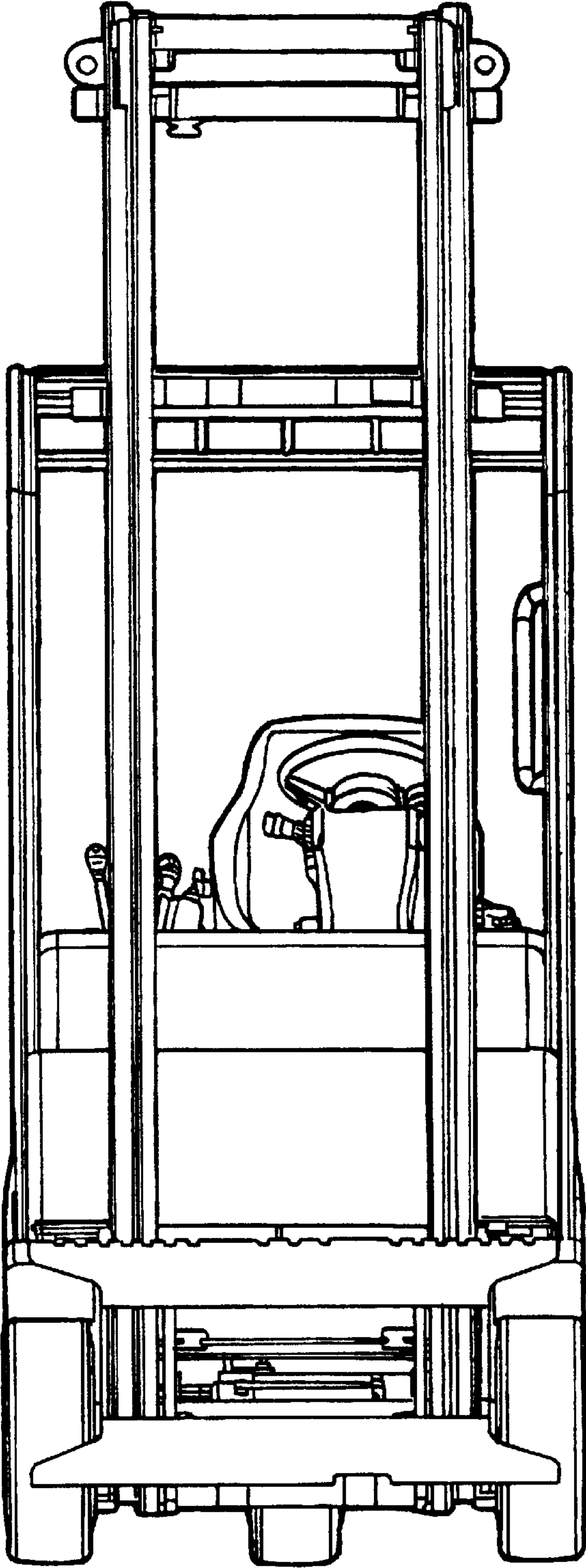


Fig. 1

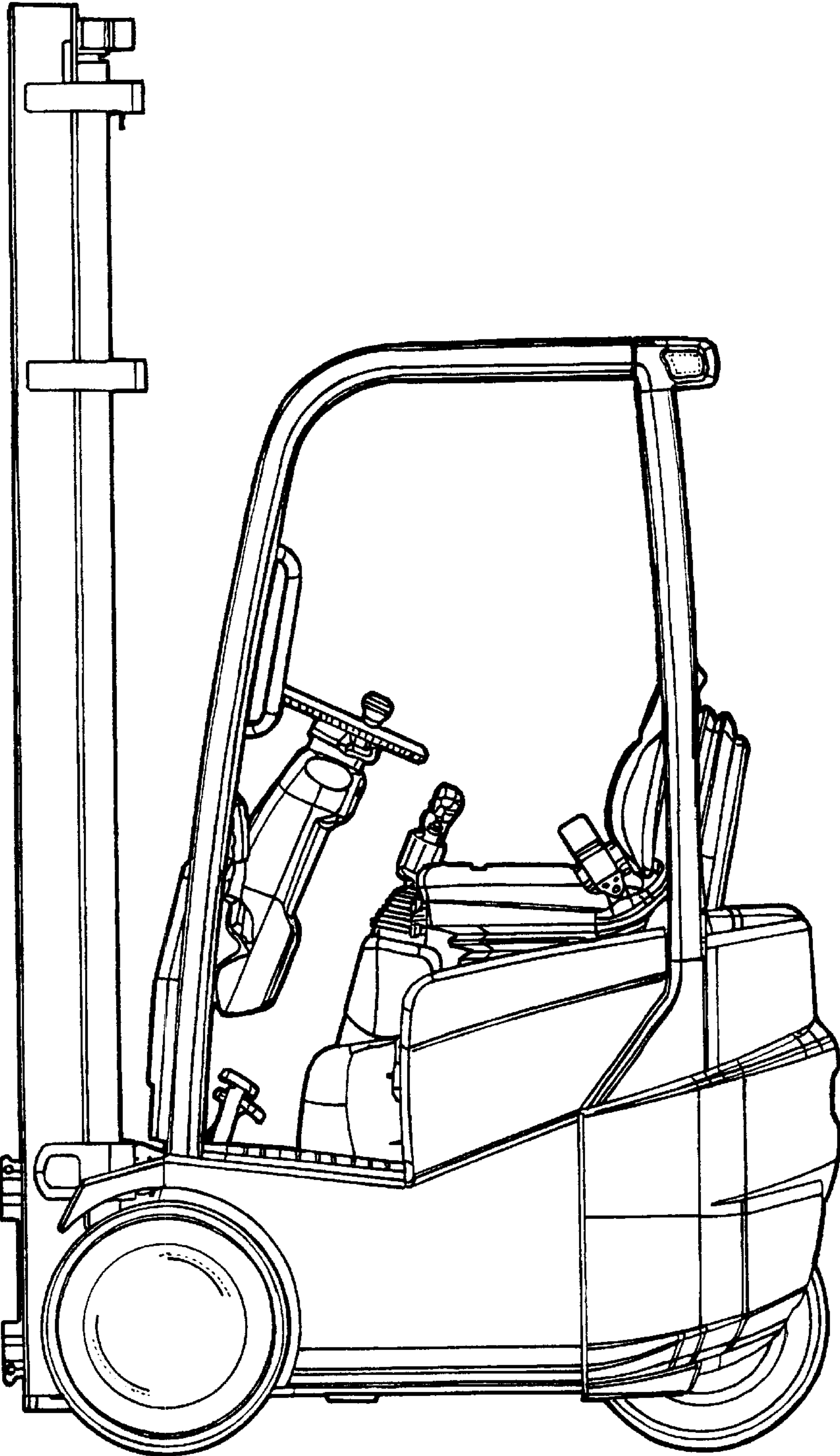


Fig. 2

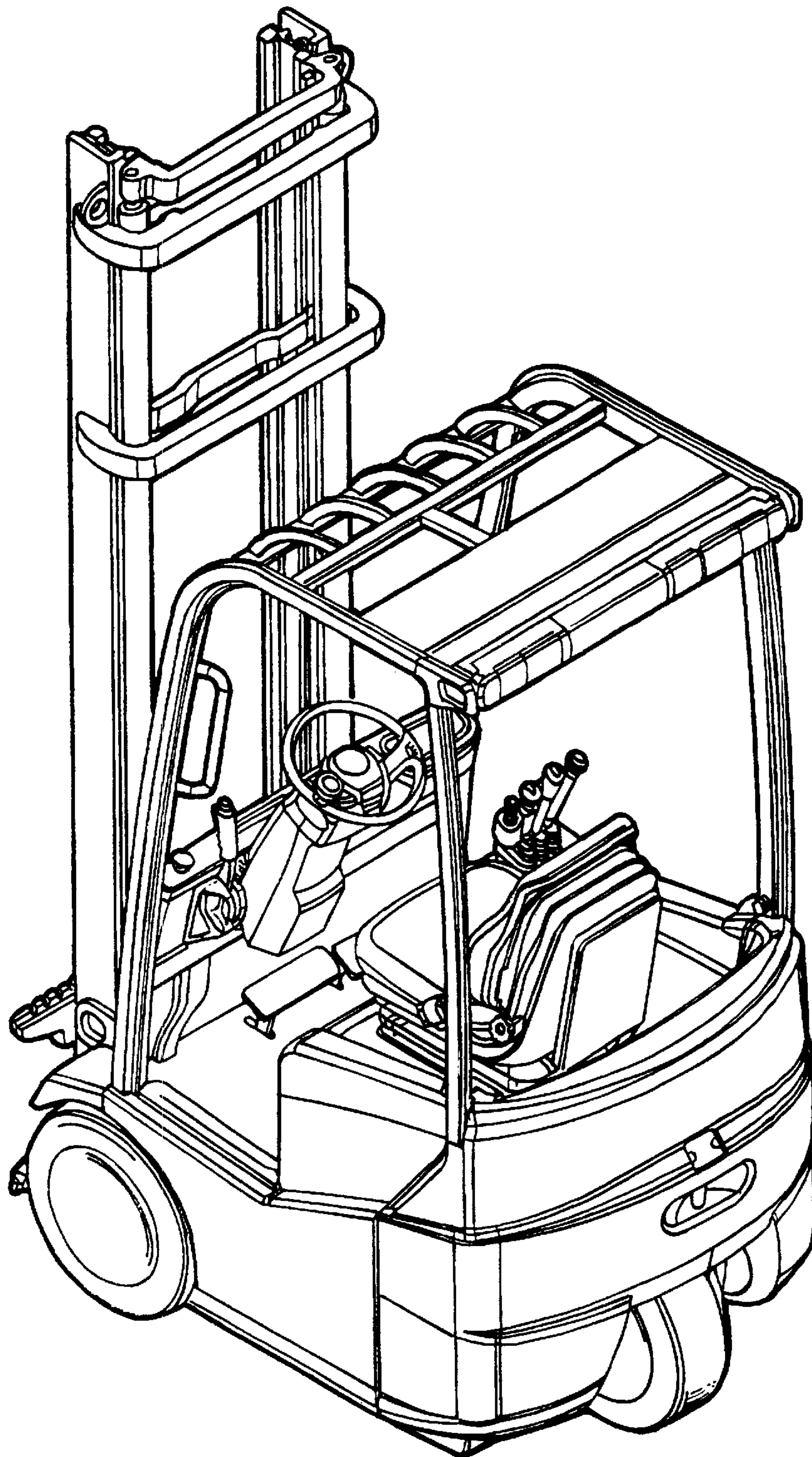


Fig. 3

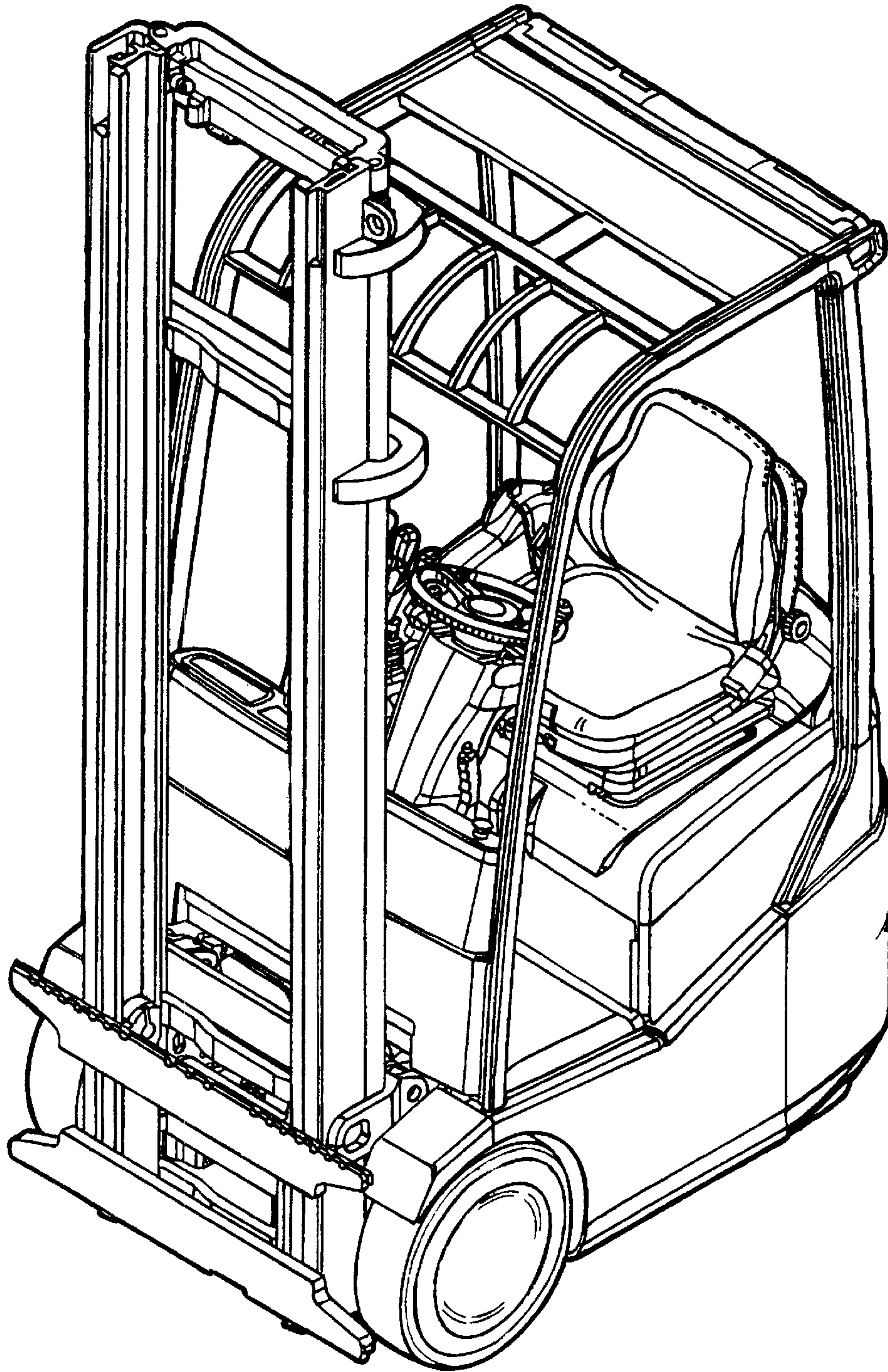


Fig. 4

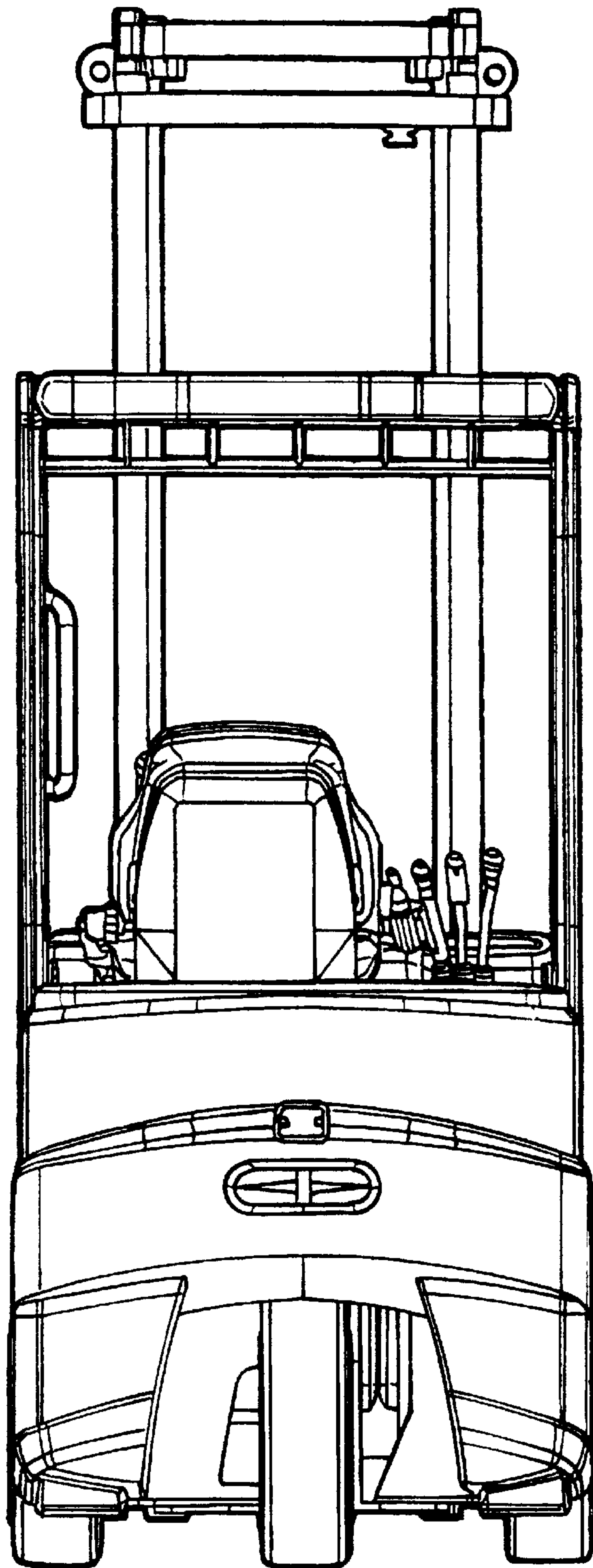


Fig. 5

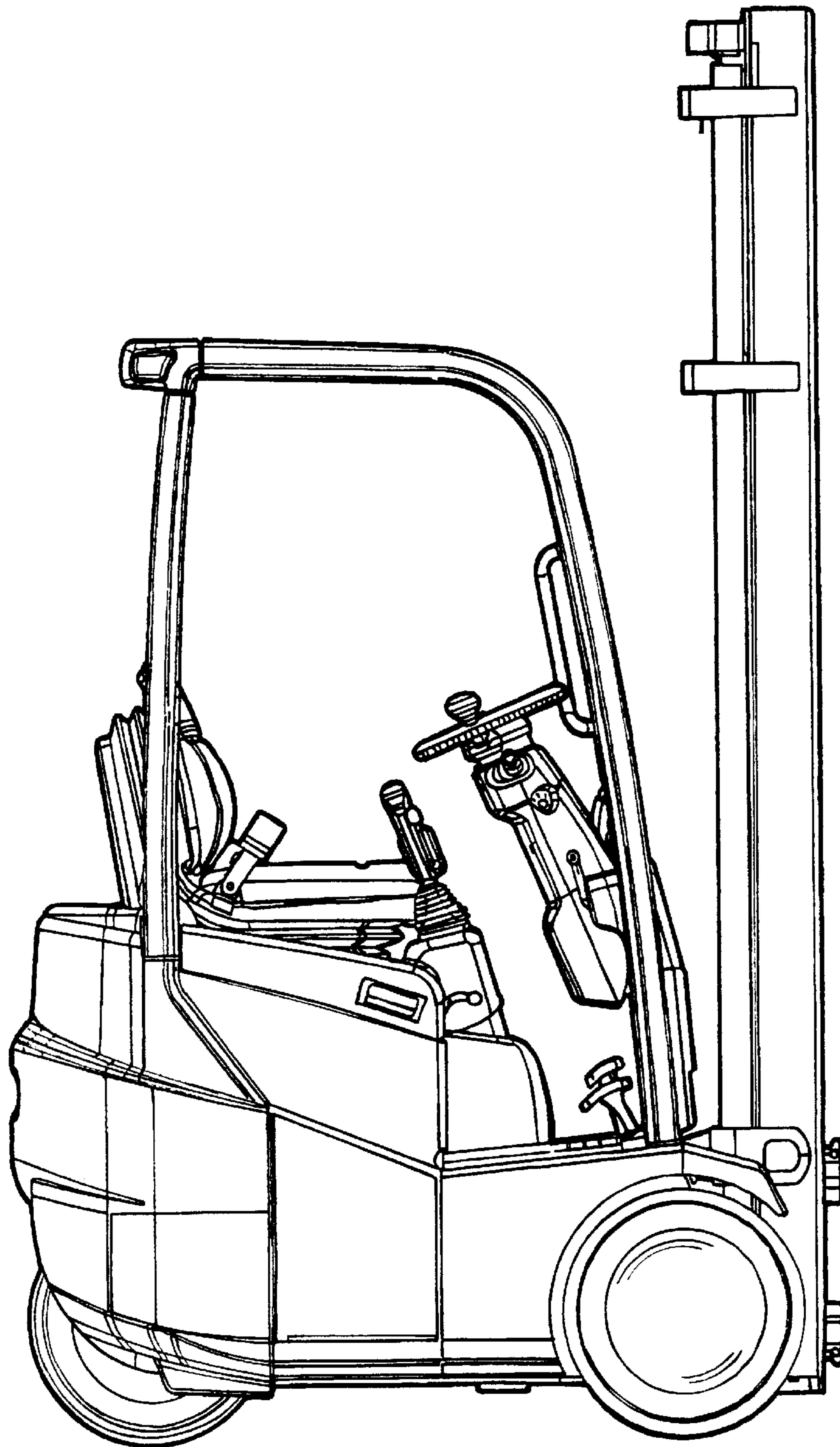


Fig. 6

Fig. 7

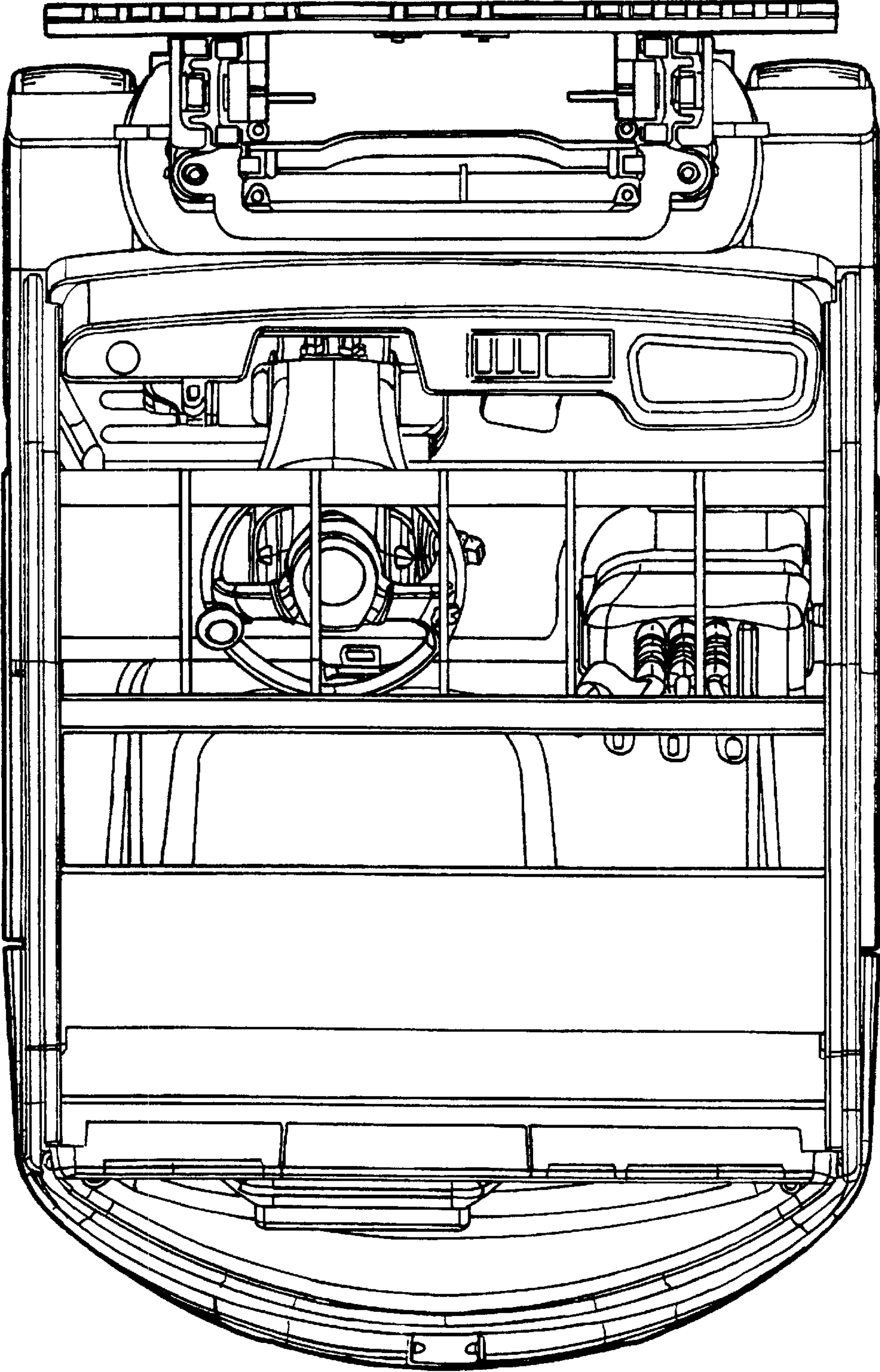


Fig. 8

