



US00D542003S

(12) **United States Design Patent**
Morris

(10) **Patent No.:** **US D542,003 S**

(45) **Date of Patent:** **** May 1, 2007**

(54) **WHEEL**

(75) **Inventor:** **Michael A. Morris**, Rancho Palos Verdes, CA (US)

(73) **Assignee:** **GEO Plastics, Inc.**, Los Angeles, CA (US)

(**) **Term:** **14 Years**

(21) **Appl. No.:** **29/240,855**

(22) **Filed:** **Oct. 17, 2005**

(51) **LOC (8) Cl.** **12-02**

(52) **U.S. Cl.** **D34/27**

(58) **Field of Classification Search** D34/12-27;
D12/211, 204, 205, 501, 209, 88, 135; 301/64.1;
D7/402; 280/282, 47.31, 87.042; D21/141,
D21/71, 76; D6/300

See application file for complete search history.

D352,687 S * 11/1994 Markling D12/204
D368,884 S * 4/1996 Cole D12/209
D382,530 S * 8/1997 Raudman et al. D12/211
D419,516 S * 1/2000 Gagnon D12/211
6,095,543 A 8/2000 McMahon et al.
6,464,305 B2 10/2002 Markling
D465,760 S * 11/2002 Chung D12/211
D470,452 S * 2/2003 Flood et al. D12/501
D479,701 S * 9/2003 Chen D12/211
D481,348 S * 10/2003 Kang D12/211
D481,588 S * 11/2003 Choi D7/402
6,666,526 B1 12/2003 Cummins

* cited by examiner

Primary Examiner—Freda S. Nunn

Assistant Examiner—Kevin K. Rudzinski

(74) *Attorney, Agent, or Firm*—Morgan Lewis & Bockius LLP; Victor E. Johnson

(57) **CLAIM**

The ornamental design for a wheel, as shown and described.

(56) **References Cited**

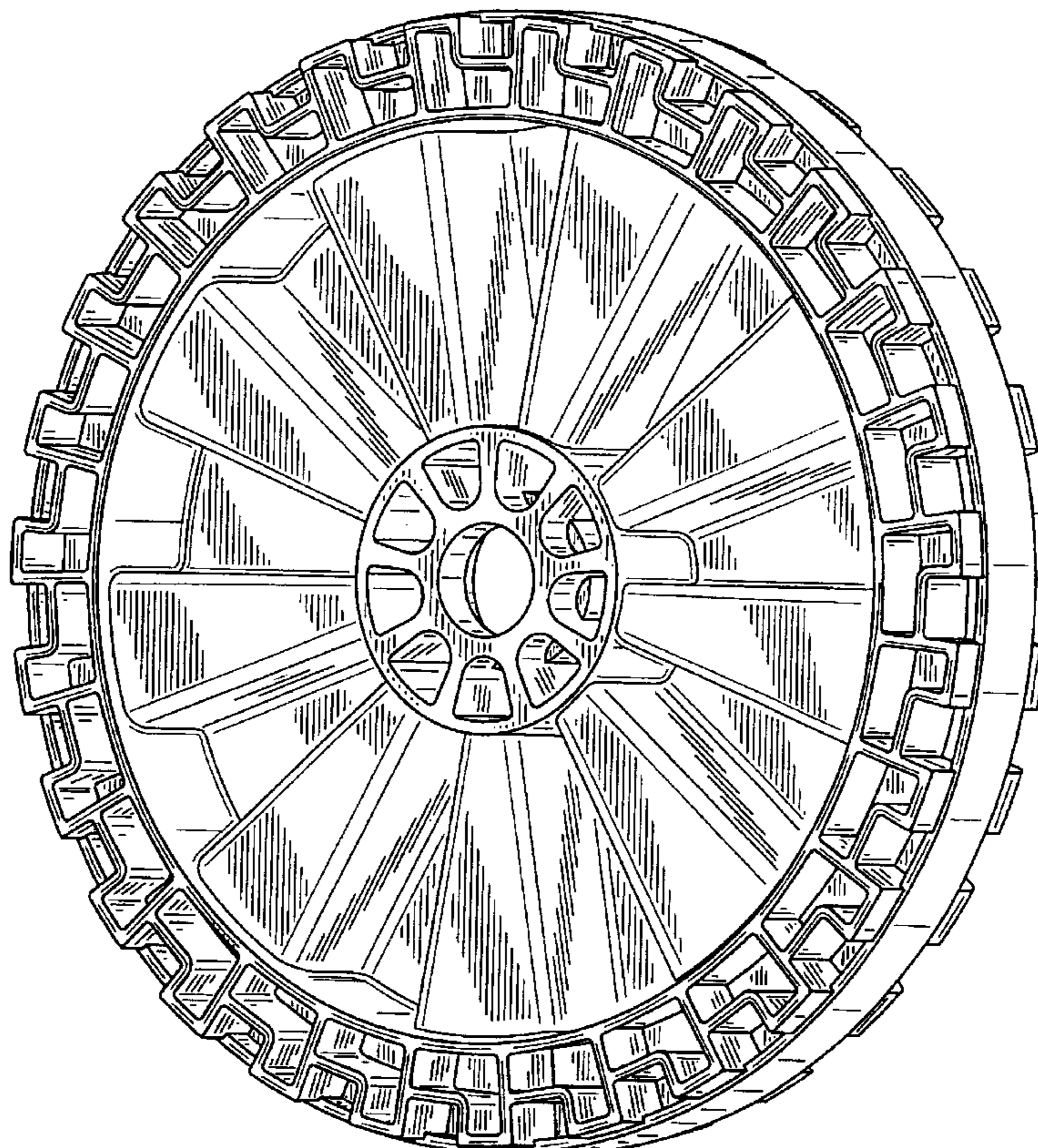
U.S. PATENT DOCUMENTS

3,604,756 A 9/1971 Gruber
3,888,545 A 6/1975 Braun
3,907,350 A 9/1975 Bard
D243,169 S * 1/1977 Suzuki et al. D12/205
D248,749 S * 8/1978 Siroonian D12/211
D328,053 S 7/1992 Markling
D333,168 S * 2/1993 Huang D21/563

DESCRIPTION

FIG. 1 is a front perspective view showing my new design; FIG. 2 is a rear perspective view thereof; FIG. 3 is a rear view thereof; FIG. 4 is a side view thereof with the other side being a mirror image; and, FIG. 5 is a front view thereof.

1 Claim, 4 Drawing Sheets



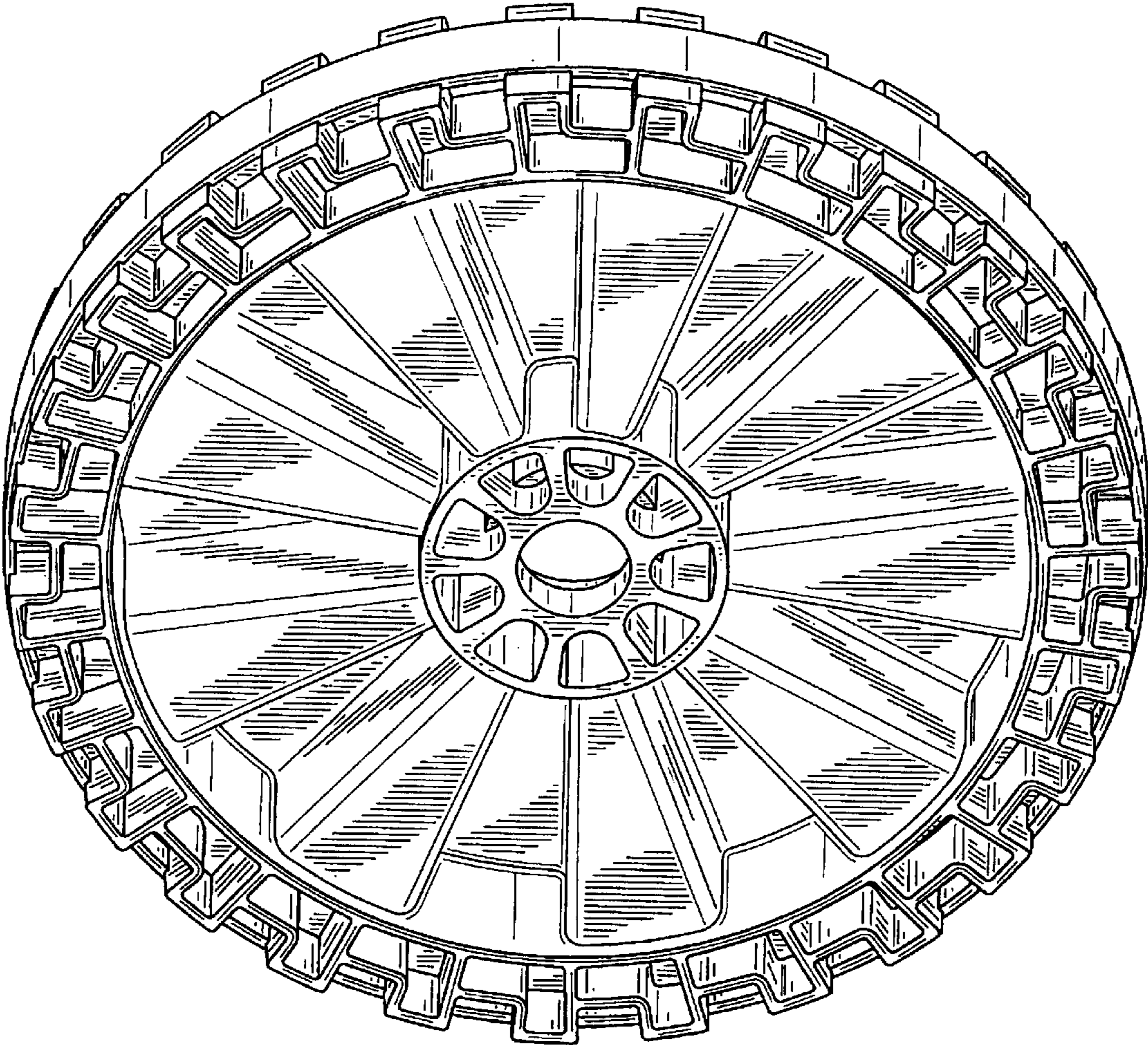


FIG. 1

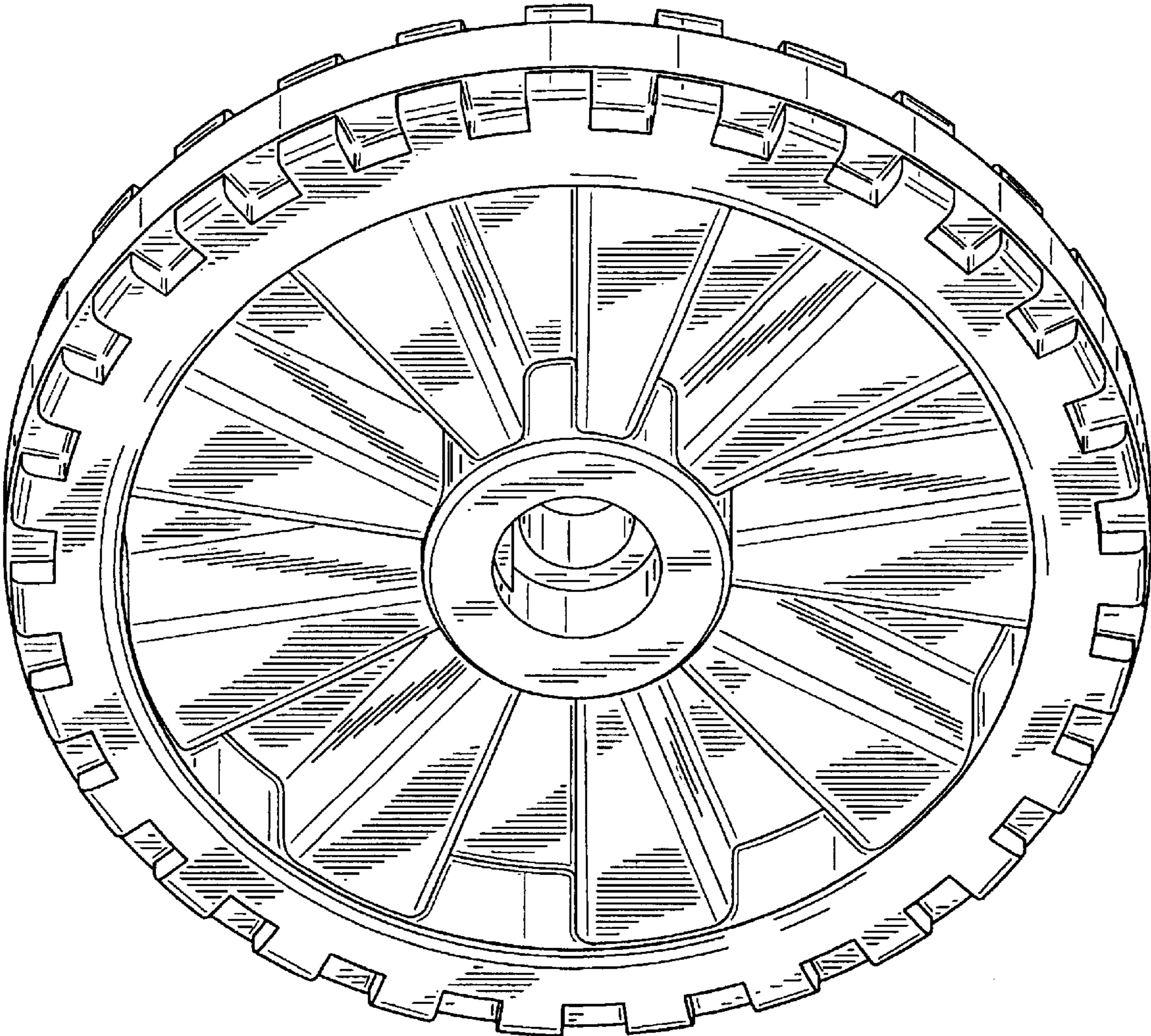


FIG. 2

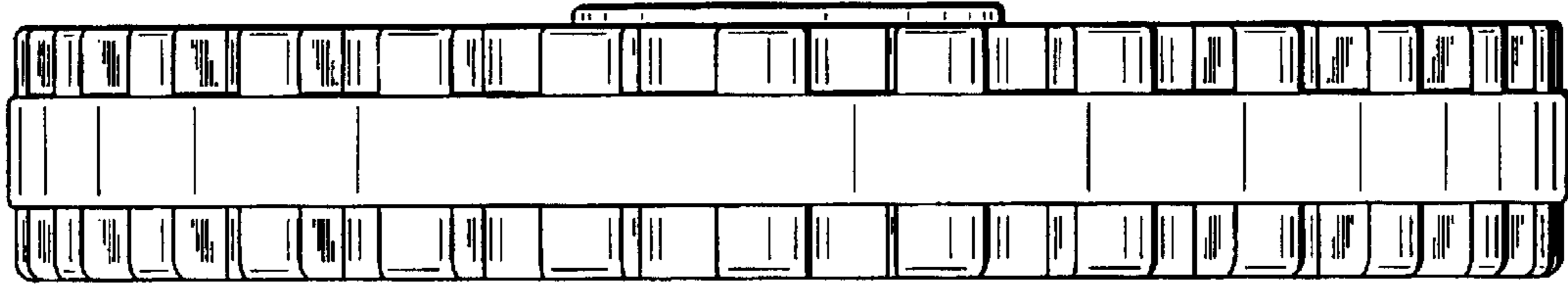


FIG. 4

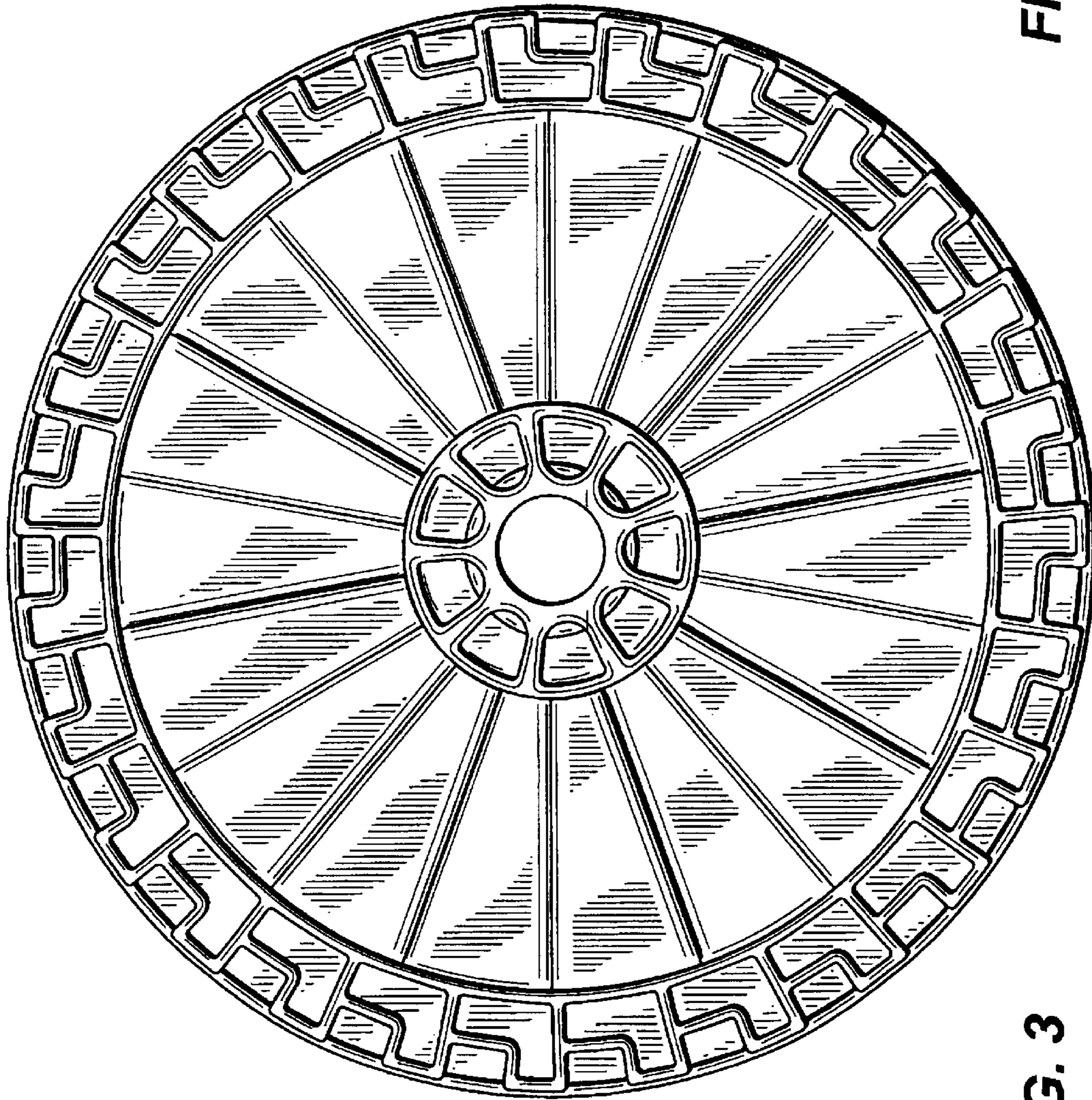


FIG. 3

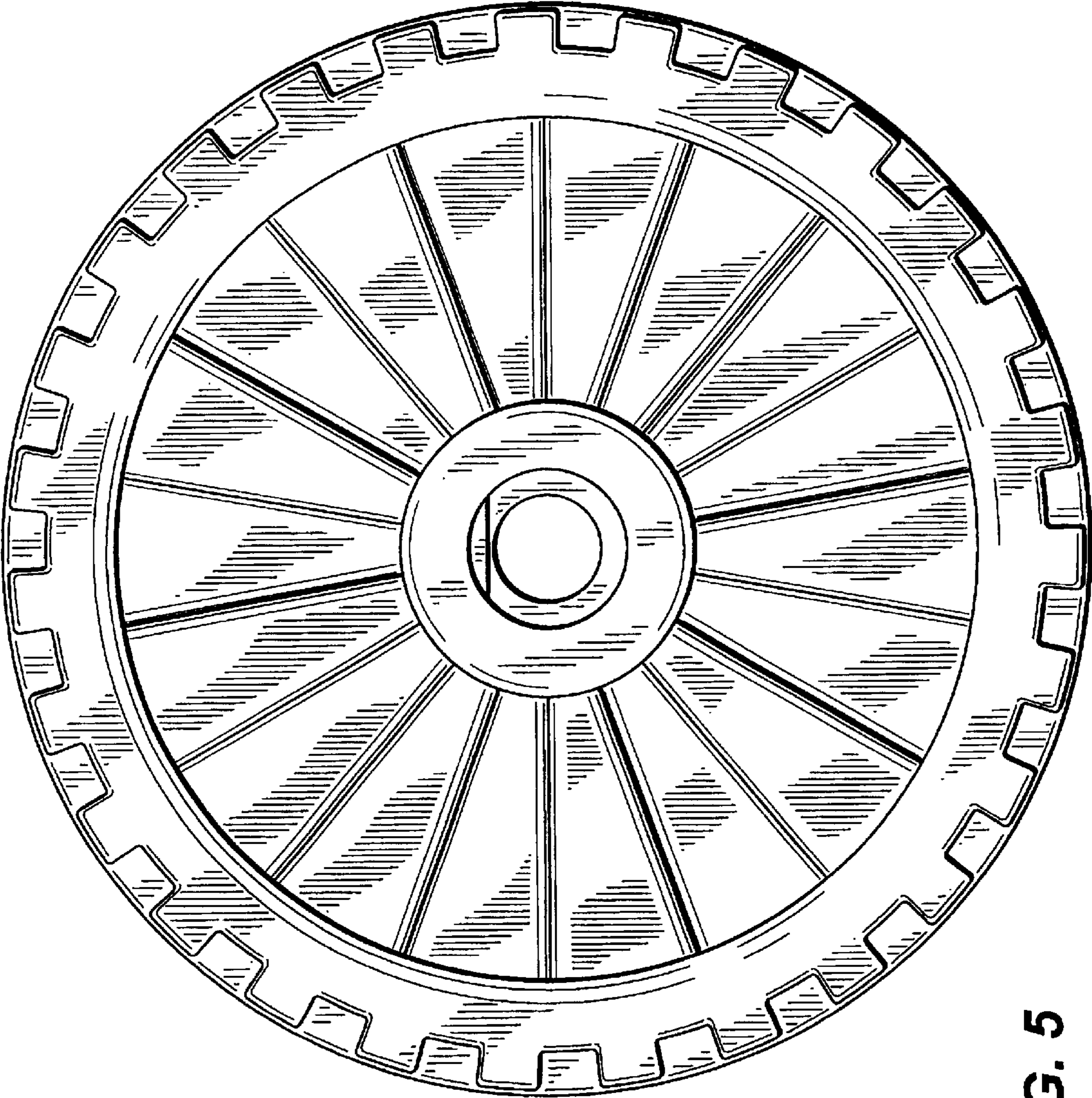


FIG. 5