



US00D542000S

(12) **United States Design Patent**
Miller

(10) **Patent No.:** **US D542,000 S**

(45) **Date of Patent:** **** May 1, 2007**

(54) **OUTDOOR REFUSE CONTAINER**

(76) Inventor: **David H. Miller**, 55 Sea Park Blvd.,
#315, Satellite Beach, FL (US) 32937

(**) Term: **14 Years**

(21) Appl. No.: **29/259,234**

(22) Filed: **May 4, 2006**

Related U.S. Application Data

(62) Division of application No. 29/195,551, filed on Dec. 12,
2003, now Pat. No. Des. 520,702.

(51) **LOC (8) Cl.** **09-09**

(52) **U.S. Cl.** **D34/5; D34/1**

(58) **Field of Classification Search** D34/1,
D34/5, 6, 7, 8, 9, 10, 11; 220/908-913, 625,
220/626, DIG. 12, DIG. 14, DIG. 13; 232/43.2,
232/1 R

See application file for complete search history.

D362,525 S	9/1995	Kruger	D34/1
D362,932 S	* 10/1995	Brightbill et al.	D32/37
D365,428 S	* 12/1995	Prout et al.	D34/5
5,547,104 A	* 8/1996	Parker	220/772
D376,235 S	12/1996	Presnell	D34/1
5,582,322 A	* 12/1996	Prout et al.	220/771
5,641,090 A	6/1997	Kowalski et al.	220/782
D388,577 S	* 12/1997	Rehrig et al.	D34/5
5,758,888 A	6/1998	Burgan et al.	280/47.34
5,785,369 A	7/1998	Ridley, Sr. et al.	294/1.1
D398,120 S	* 9/1998	Rehrig et al.	D34/5
6,036,204 A	3/2000	Craft et al.	280/47.315
D431,699 S	* 10/2000	Sofy	D32/37
6,318,588 B1	11/2001	Lichtenwalner	220/908.3
D455,228 S	* 4/2002	Hsu	D28/50
6,390,495 B1	5/2002	Cates	282/652
D461,291 S	* 8/2002	Kaminski et al.	D34/11
D462,838 S	9/2002	Van Landingham	D3/304
D471,685 S	* 3/2003	Taylor et al.	D34/5
D476,125 S	* 6/2003	Chen	D34/5
D478,197 S	* 8/2003	Raghunathan	D34/5
D491,328 S	* 6/2004	Aiken et al.	D34/5
D509,335 S	* 9/2005	Tuduri	D34/5
D520,702 S	* 5/2006	Miller	D34/1

* cited by examiner

(56) **References Cited**

U.S. PATENT DOCUMENTS

341,175 A	5/1886	Shaw	
686,954 A	11/1901	Riley	
1,170,797 A	2/1916	Burroughs	
1,212,305 A	1/1917	Worsell	
1,847,476 A	3/1932	Fuhr	
3,170,183 A	2/1965	Leatherman	15/257.1
3,390,804 A	7/1968	Morgan	220/32
D292,638 S	* 11/1987	Carville	D34/5
4,930,649 A	* 6/1990	Moser	220/840
D323,912 S	* 2/1992	Delmerico	D34/5
D324,122 S	2/1992	Brussing	D34/10
5,088,531 A	2/1992	Wade	141/108
D327,555 S	6/1992	Juergens	D34/1
D330,674 S	11/1992	Lyon	D9/420
D335,562 S	5/1993	Evans	D34/7
D355,514 S	2/1995	Breen	D34/1
D355,741 S	2/1995	Craft et al.	D34/5
D355,744 S	2/1995	Licari	D34/7

Primary Examiner—Cynthia E. Ramirez

(74) *Attorney, Agent, or Firm*—Brian S. Steinberger; Law
Offices of Brian S. Steinberger, P.A.

(57) **CLAIM**

The ornamental design for outdoor refuse container, as
shown and described.

DESCRIPTION

FIG. 1 is an upper front right perspective view of an outdoor
refuse container showing my new design;
FIG. 2 is a top view thereof;
FIG. 3 is a bottom view thereof;
FIG. 4 is a left side view thereof; and,
FIG. 5 is a right side view thereof.

1 Claim, 5 Drawing Sheets

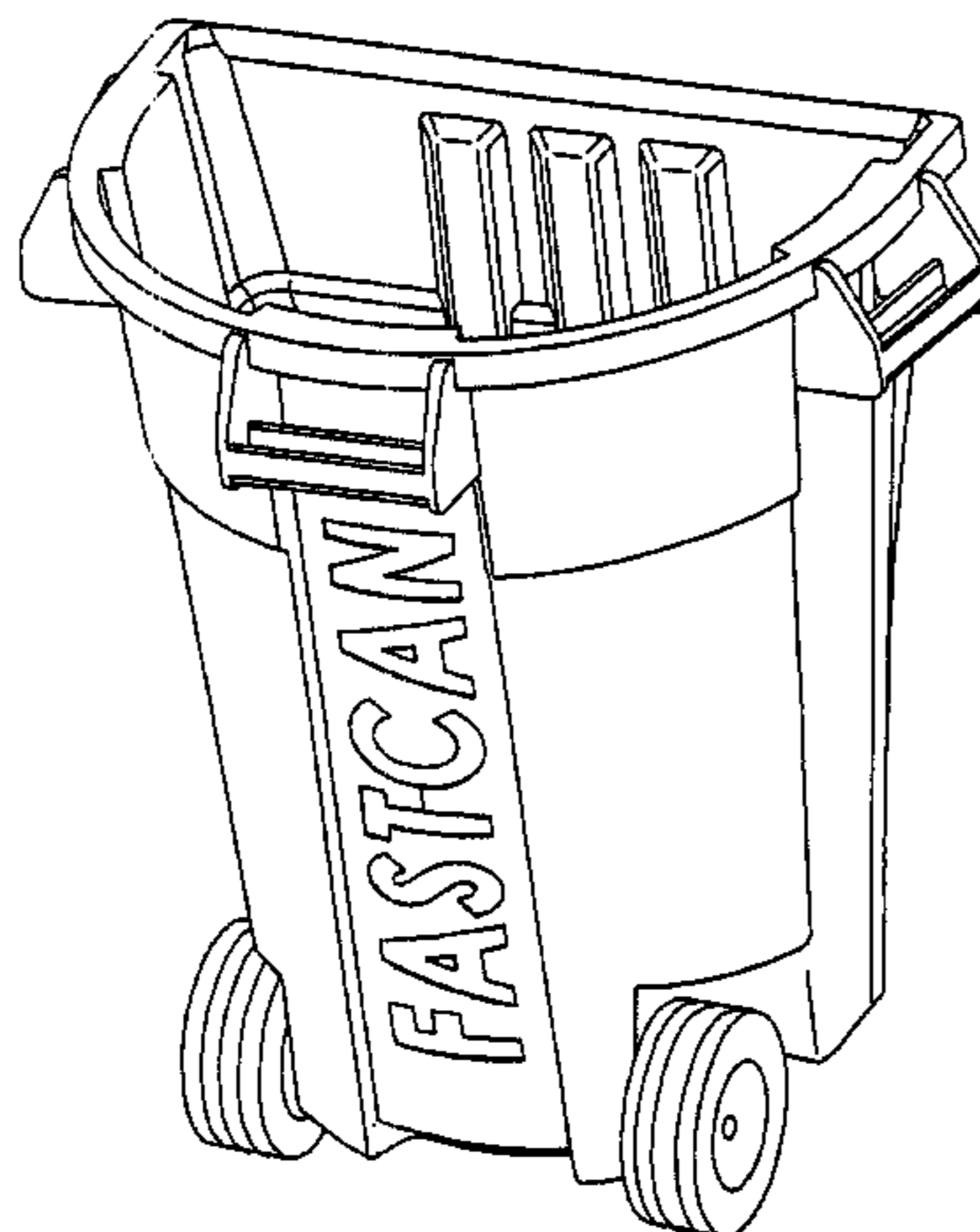


FIG. 1

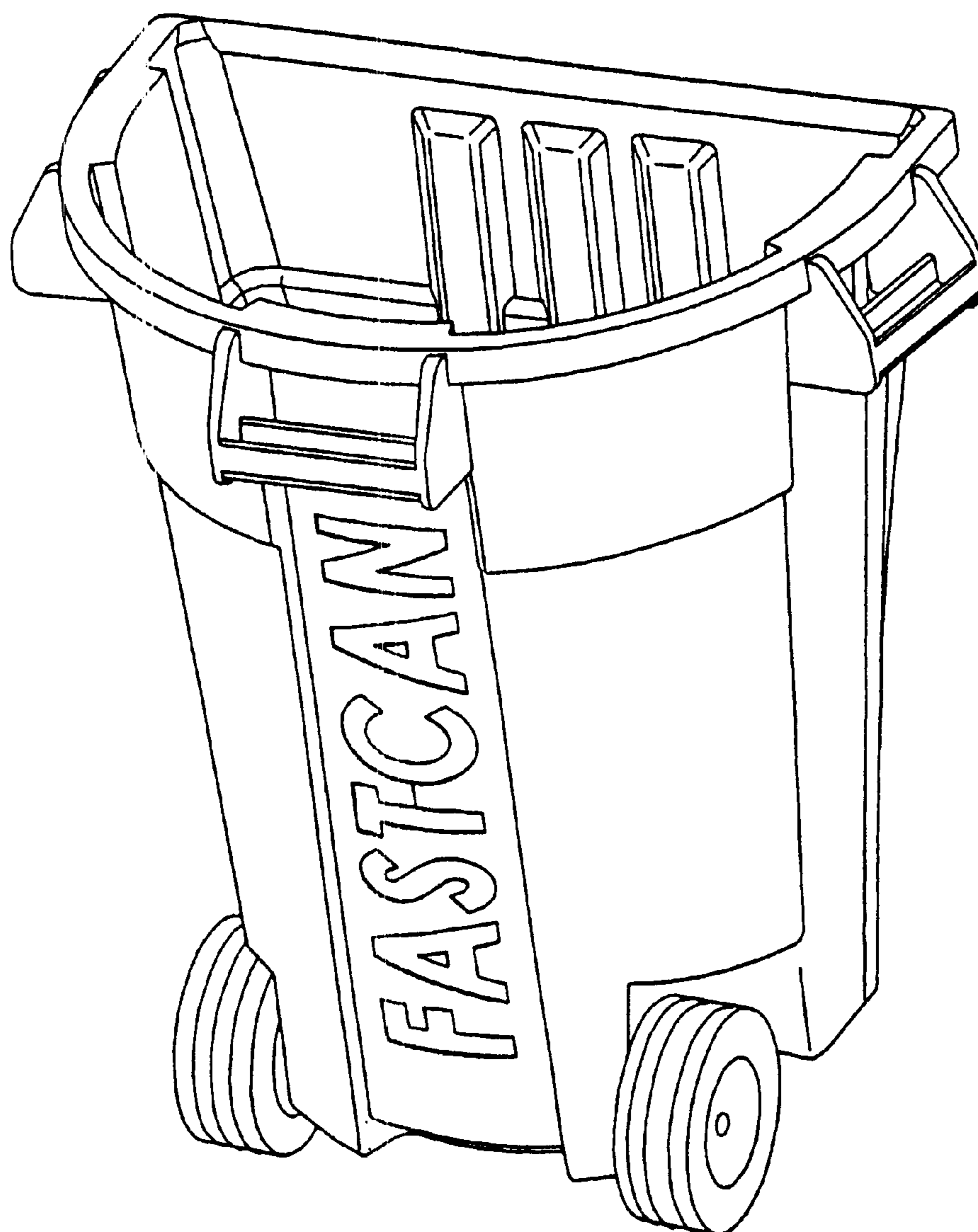


FIG. 2

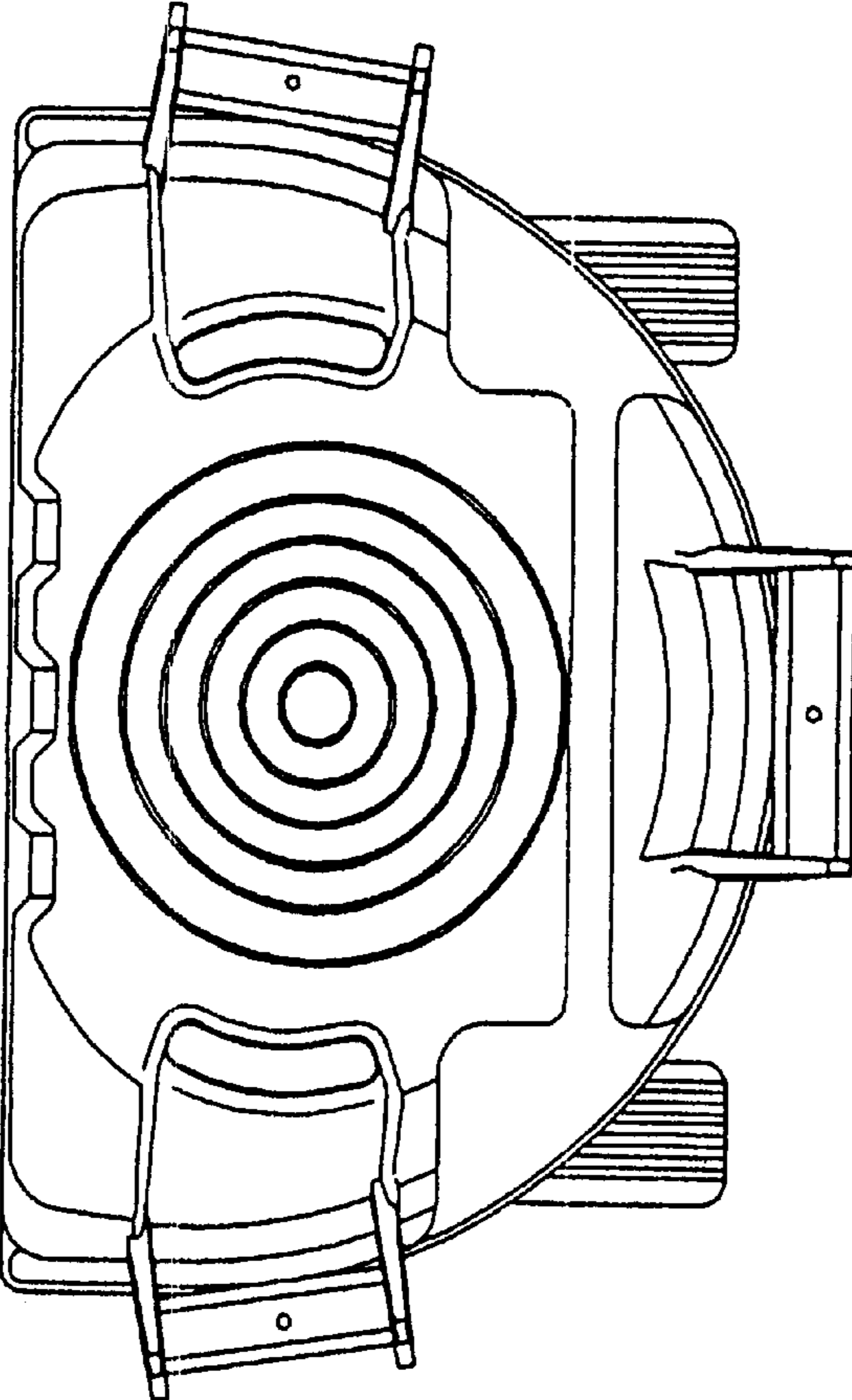


FIG. 3

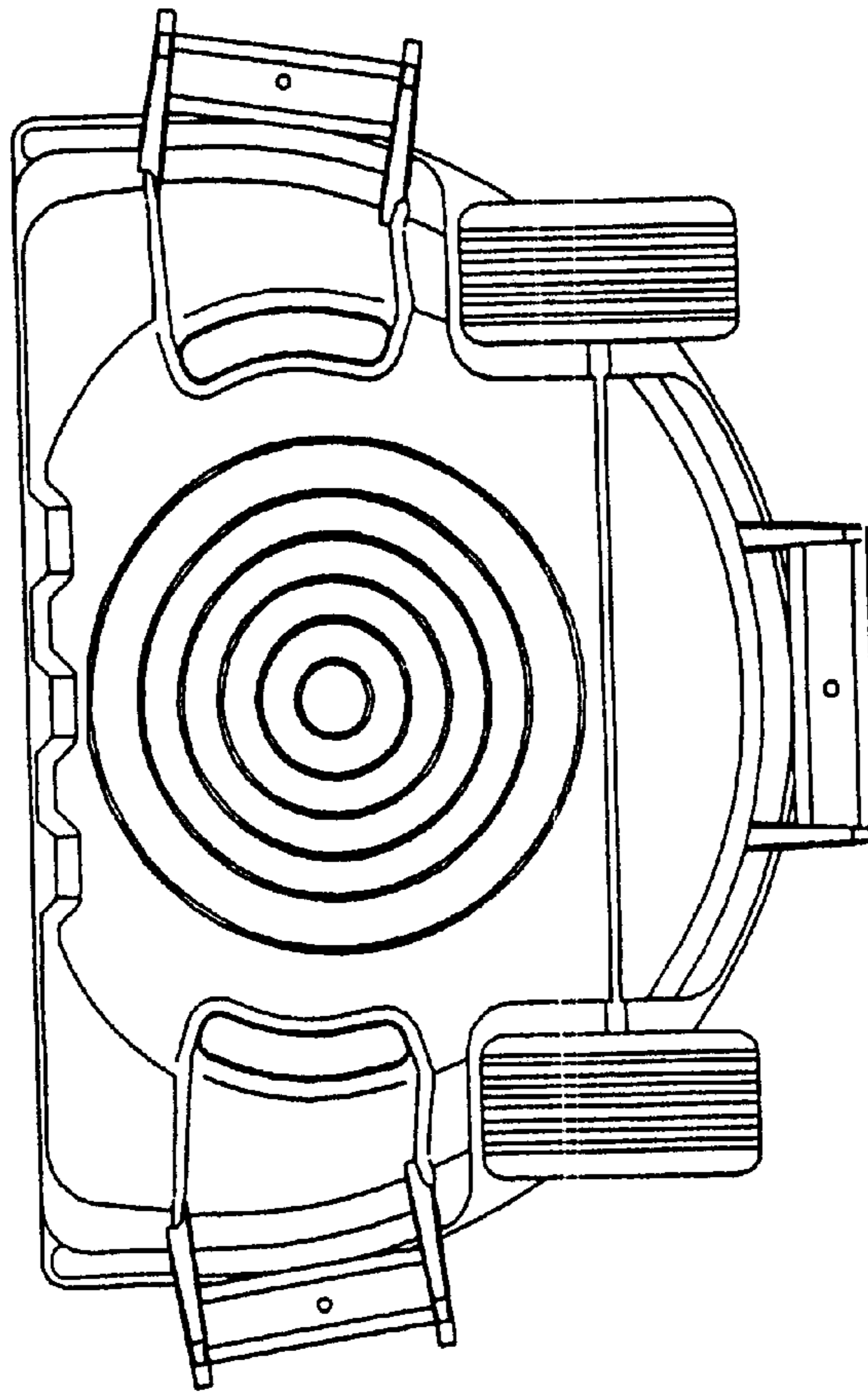


FIG. 4

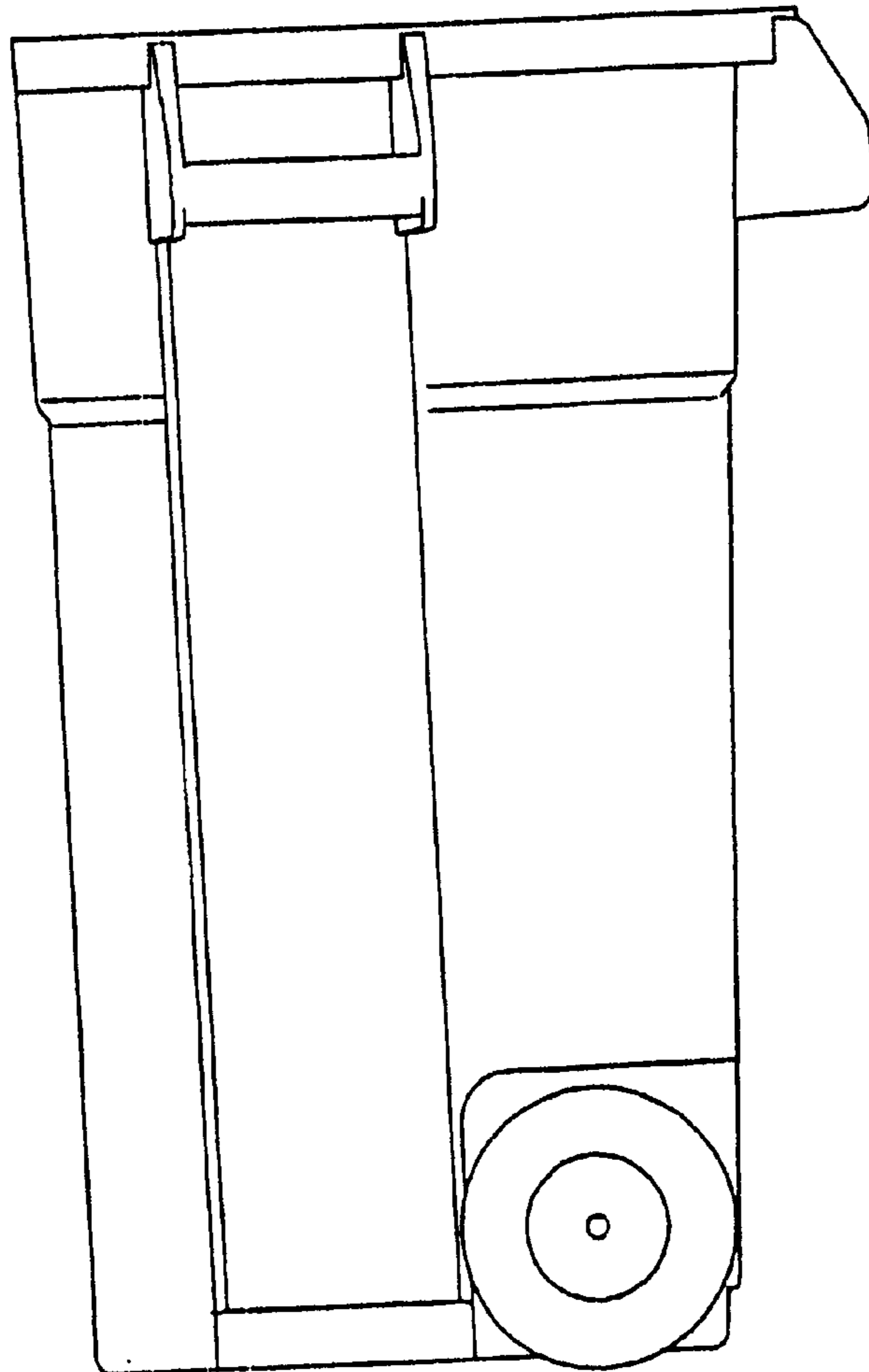


FIG. 5

