



US00D541996S

(12) **United States Design Patent**
Crevling, Jr. et al.

(10) **Patent No.:** **US D541,996 S**

(45) **Date of Patent:** **** May 1, 2007**

(54) **LIQUID-DISPENSING ATTACHMENT FOR VACUUM CLEANERS**

(75) Inventors: **Robert L. Crevling, Jr.**, Williamsport, PA (US); **Kevin D. Fry**, South Williamsport, PA (US); **John Griffin**, Phoenix, AZ (US)

(73) Assignee: **Shop Vac Corporation**, Williamsport, PA (US)

(**) Term: **14 Years**

(21) Appl. No.: **29/237,206**

(22) Filed: **Aug. 25, 2005**

(51) **LOC (8) Cl.** **15-05**

(52) **U.S. Cl.** **D32/22**

(58) **Field of Classification Search** D32/21-23, D32/31, 34; 15/320-321, 327.1, 327.2, 323, 15/329, 334-335, 347, 350, 351, 353, 361, 15/410-411, DIG. 10; 55/346, DIG. 3, 459.1, 55/337, 429; 95/271

See application file for complete search history.

(56) **References Cited**

U.S. PATENT DOCUMENTS

- D189,124 S * 11/1960 Kelnhofer D32/22
- 4,845,802 A 7/1989 Miller et al.
- D313,879 S * 1/1991 Ito D32/22
- 4,984,328 A 1/1991 Berfield
- D316,317 S * 4/1991 Berfield D32/22

- 5,103,526 A 4/1992 Berfield
- D328,371 S * 7/1992 Berfield D32/22
- 5,555,597 A 9/1996 Berfield
- 6,073,300 A 6/2000 Zahuranec et al.

* cited by examiner

Primary Examiner—Ruth McInroy

(74) *Attorney, Agent, or Firm*—Marshall, Gerstein & Borun LLP

(57) **CLAIM**

The ornamental design for a liquid-dispensing attachment for vacuum cleaners, as shown and described.

DESCRIPTION

FIG. 1 is a perspective view of a liquid-dispensing attachment for vacuum cleaners in a usage position, showing our new design;

FIG. 2 is a front elevational view thereof;

FIG. 3 is a left-side elevational view thereof, the right side being a mirror image;

FIG. 4 is a rear elevational view thereof;

FIG. 5 is a front view thereof;

FIG. 6 is a bottom view thereof;

FIG. 7 is a top view in a storage position;

FIG. 8 is a rear elevational view in a storage position on a mounting bracket; and,

FIG. 9 is a front elevational view in a storage position on a mounting bracket.

The broken lines are for illustrative purposes only and form no part of the claimed design.

1 Claim, 8 Drawing Sheets

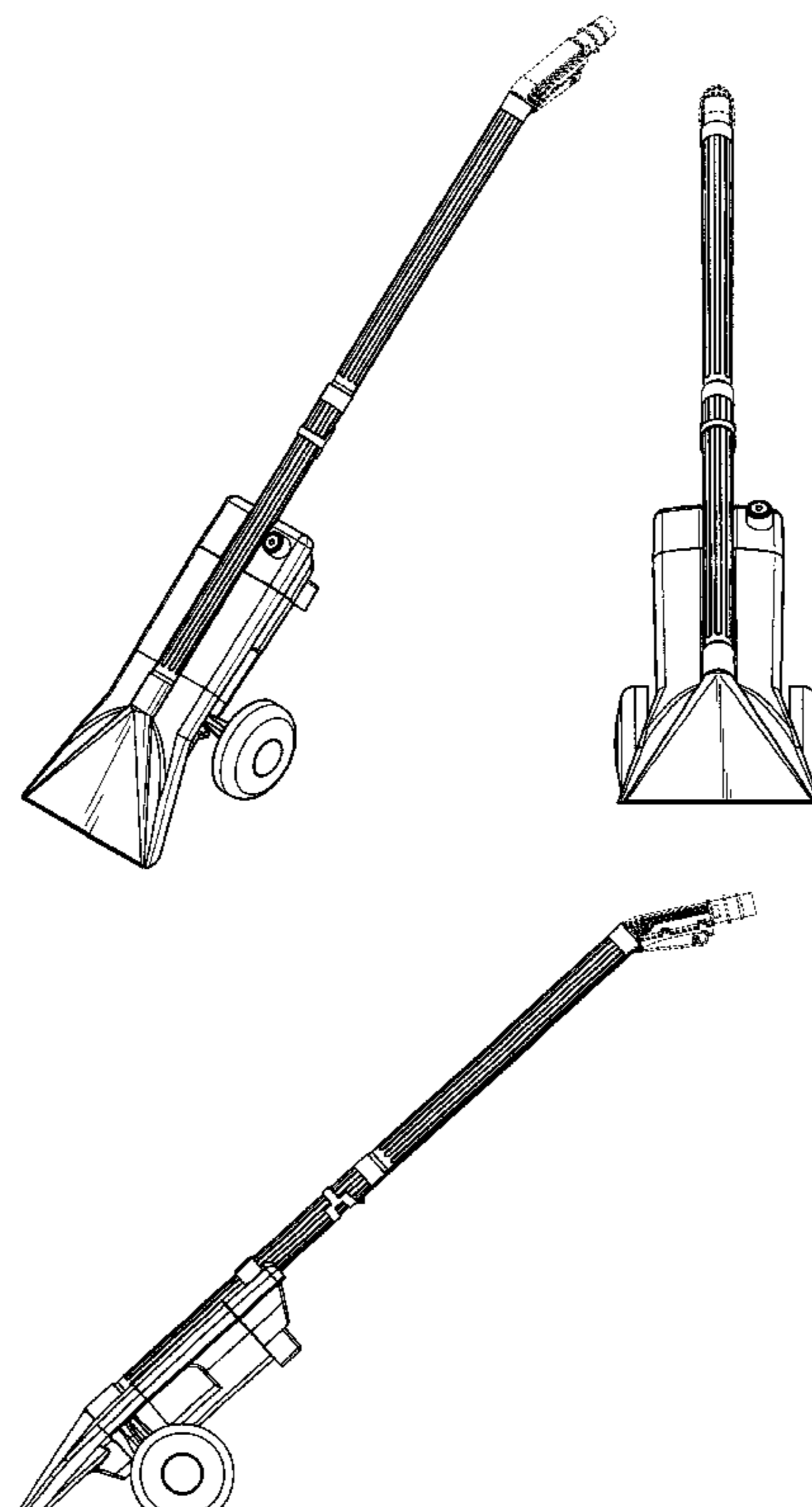


FIG. 1

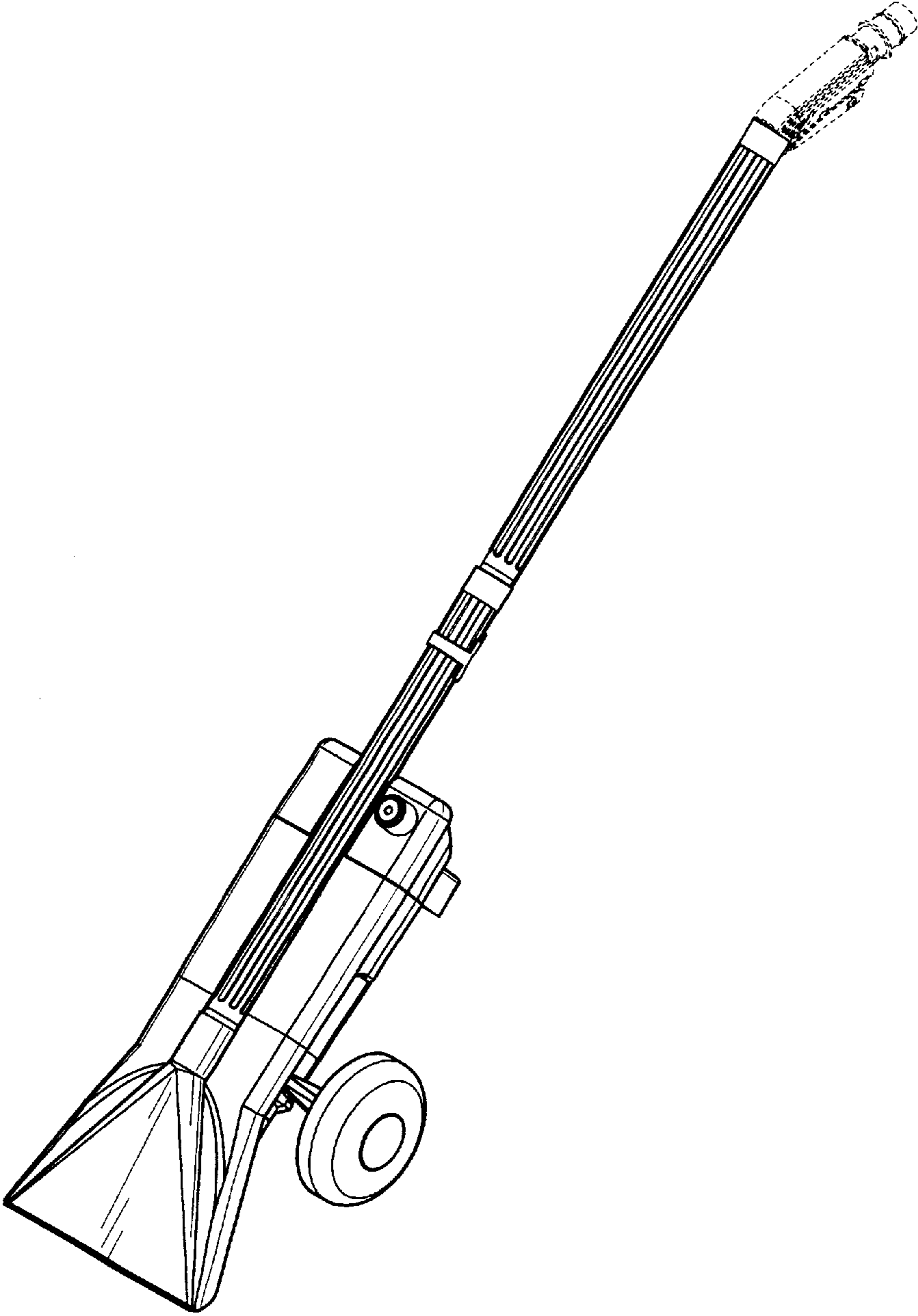


FIG. 2

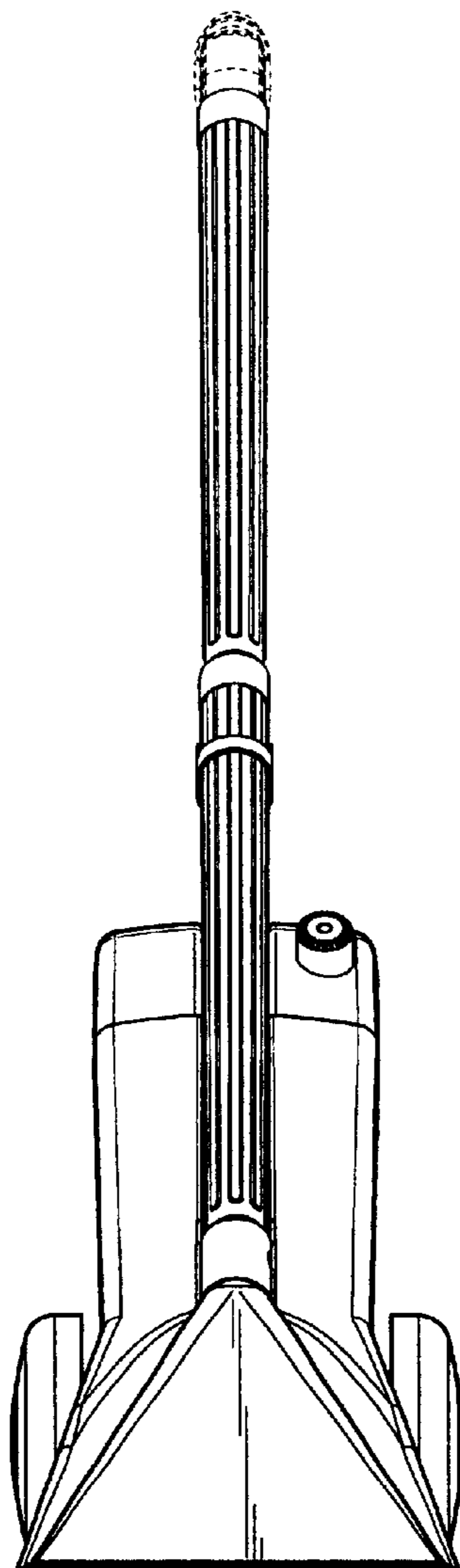


FIG. 3

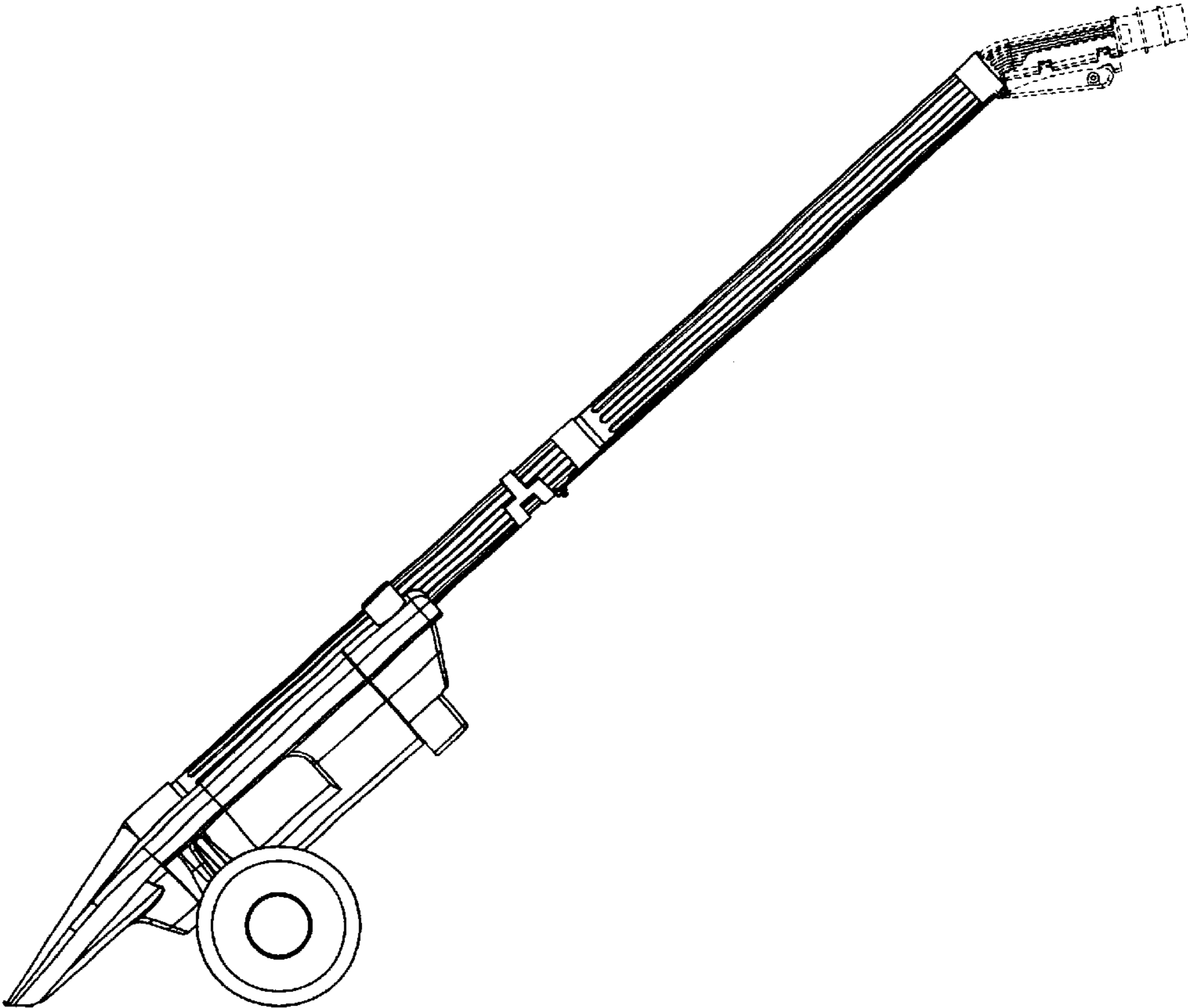


FIG. 4

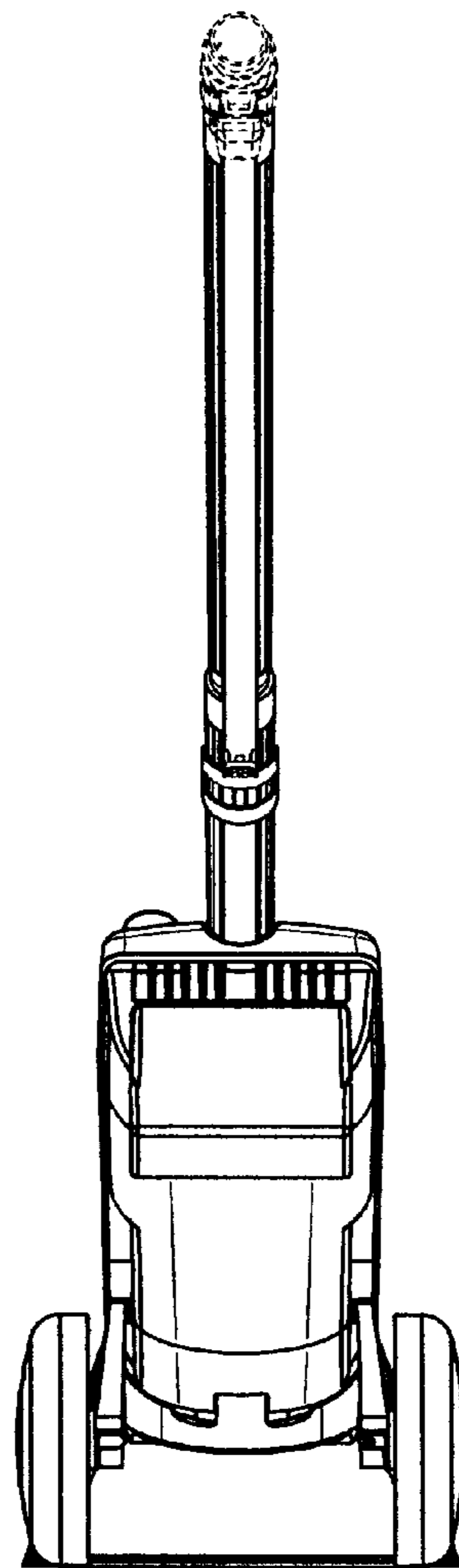


FIG. 5

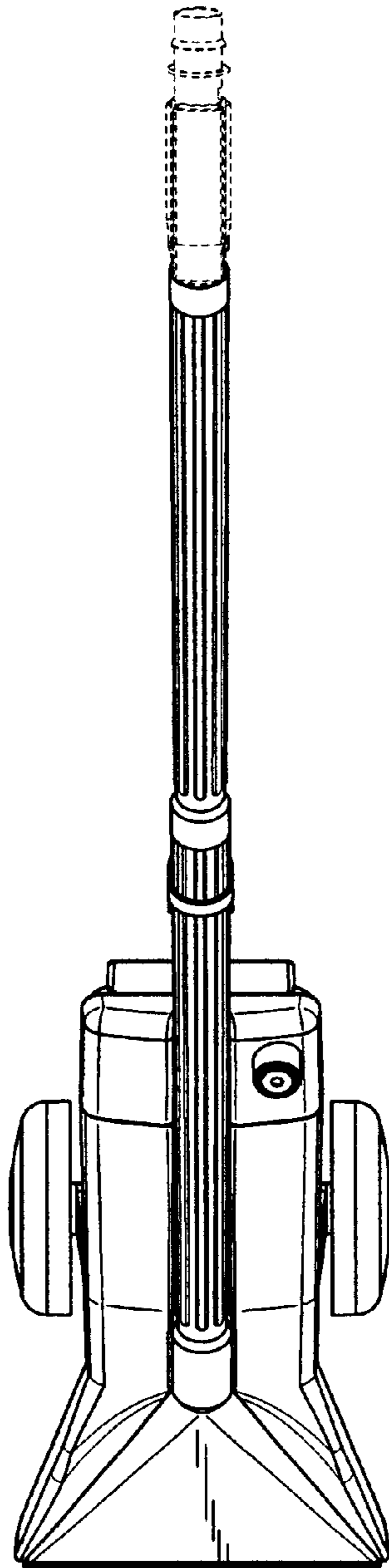


FIG. 6

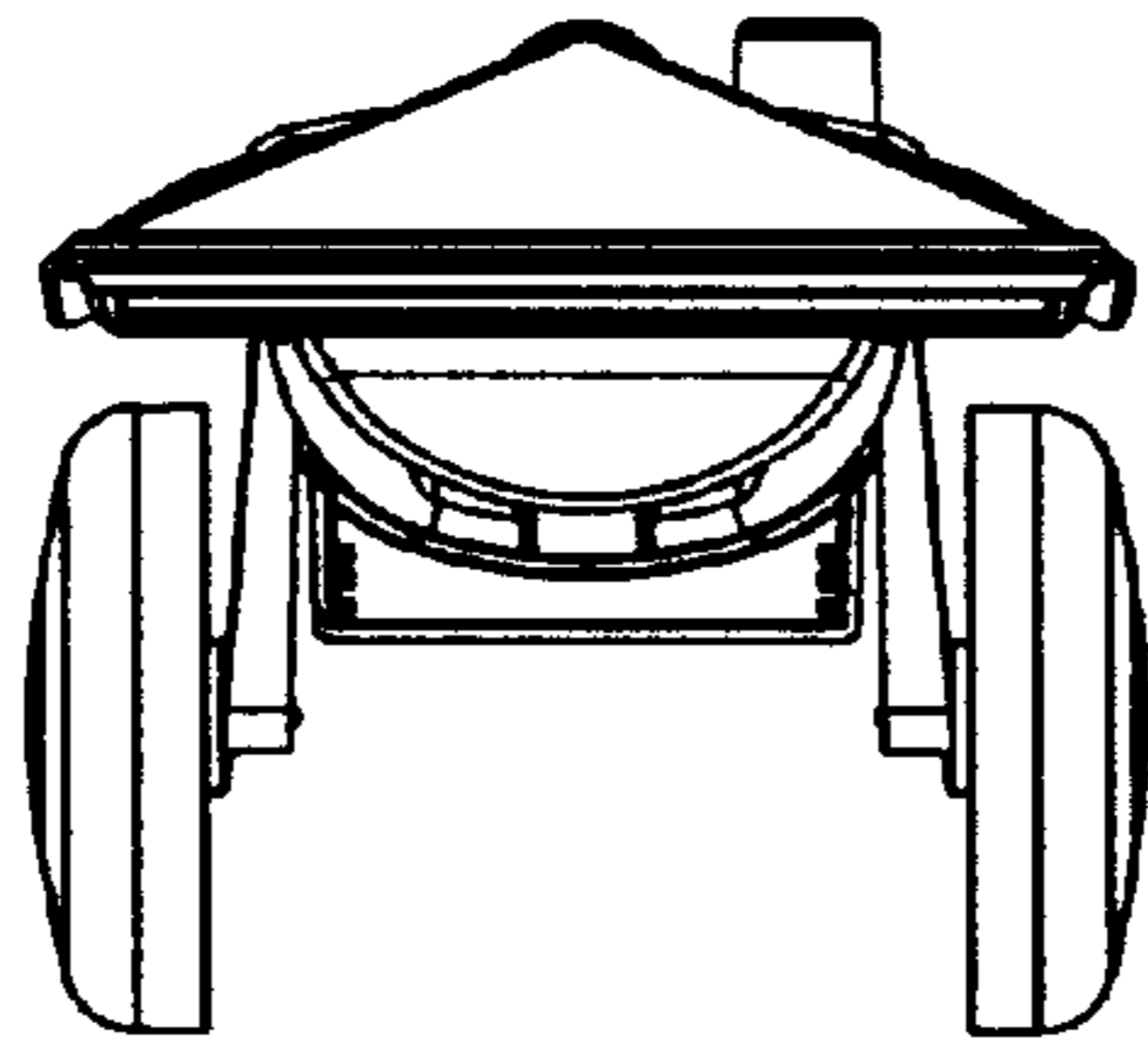


FIG. 7

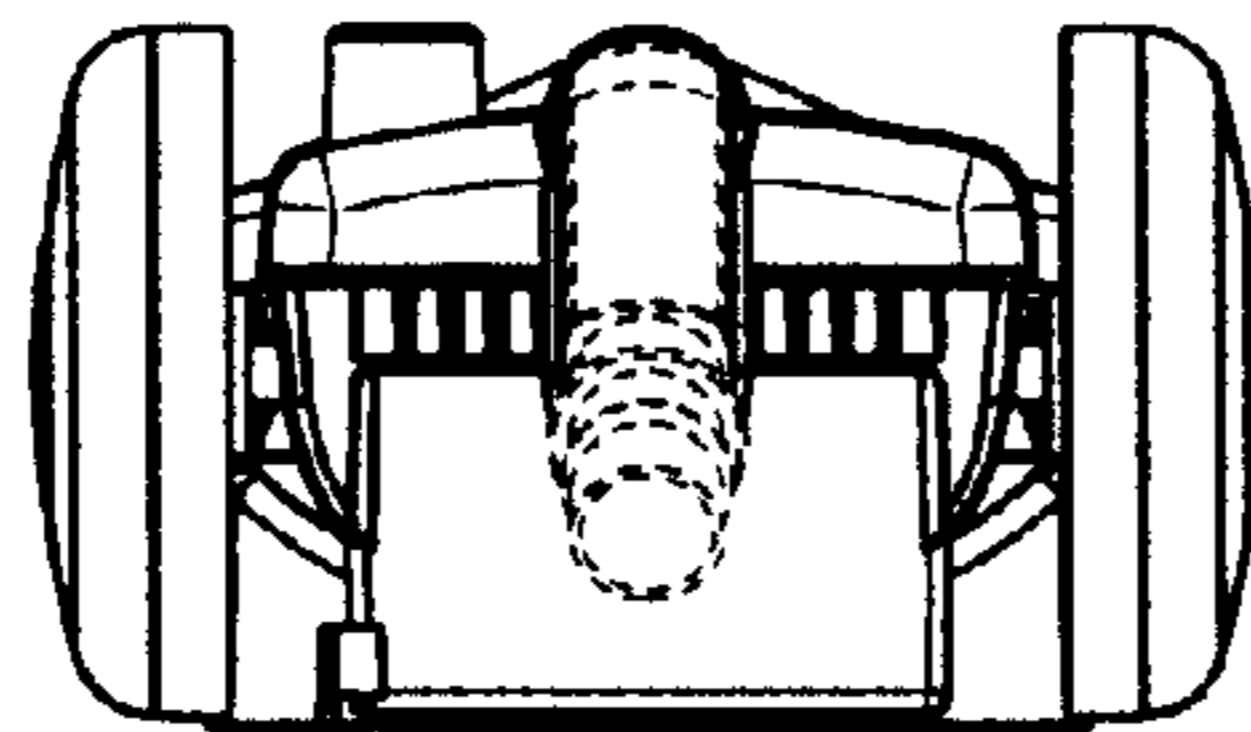


FIG. 8

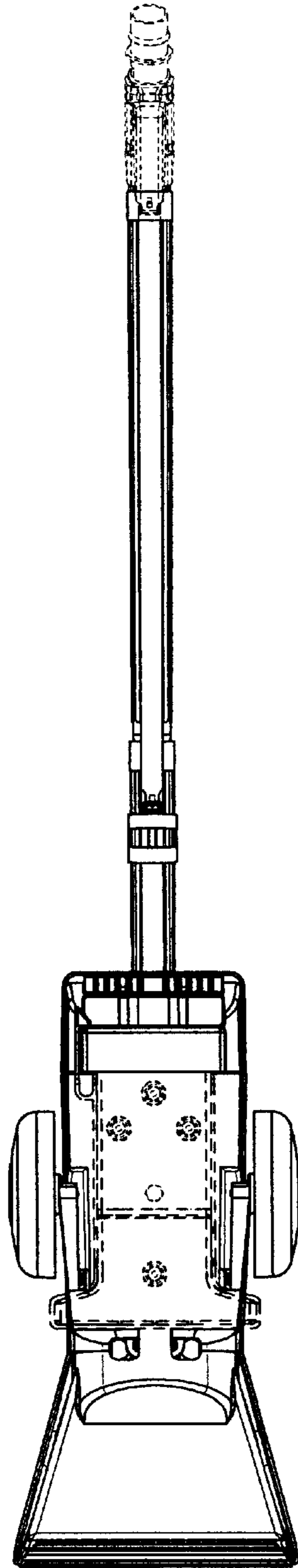


FIG. 9

